



RHINO-RACK

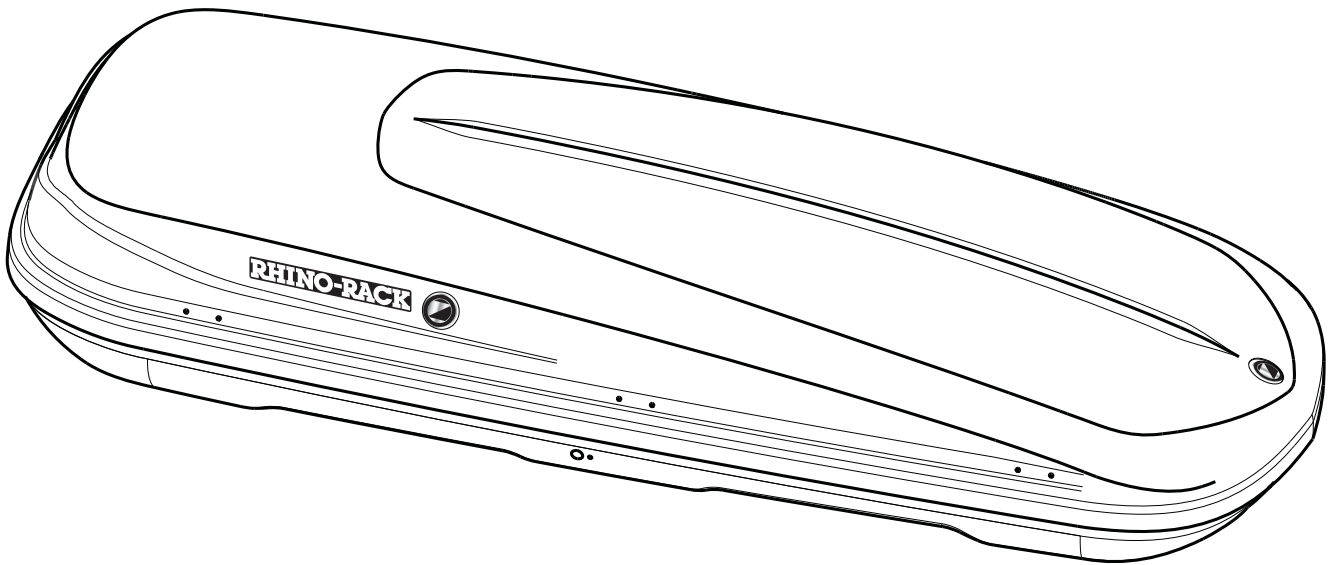
Rhino Zenith Masterfit Luggage Box

RMFZ66 RMFZ86

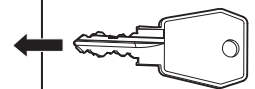
Place these instructions in the vehicle's glove box after installation is complete.

Important: Please read these instructions carefully prior to installation.
Please refer to your fitting instruction to ensure that the roof racks are installed in the correct locations.
Check the contents of kit before commencing fitment and report any discrepancies

Layout



Record your key number here for future reference, in case of misplaced or lost keys



Parts List

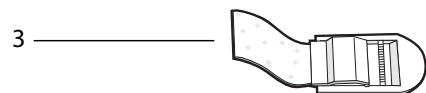
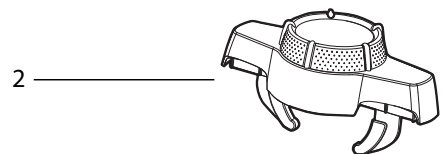
Maximum luggage box load carrying capacity: 75kg

Item	Component Name	Qty
1	Key	2
2	Claw	4
3	Strap	2
4	Fitting Instruction	R291

Tools Required

Measuring tape

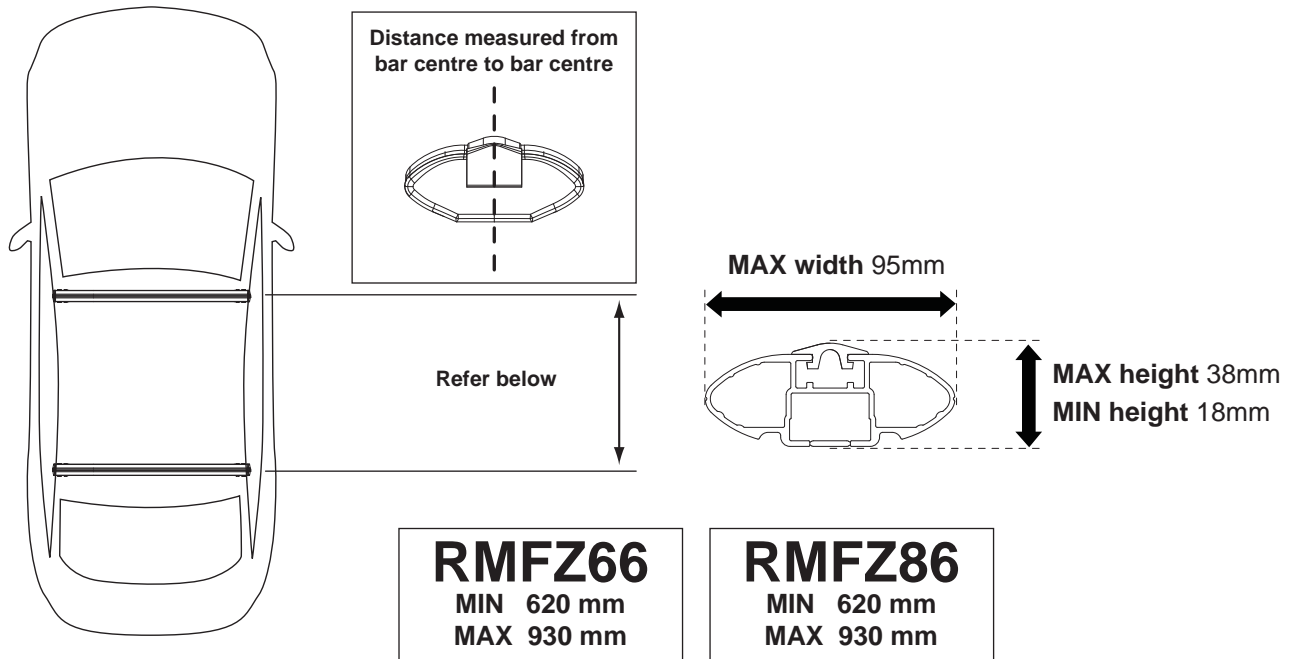
NOTE: Before using your luggage box on a journey, make sure the box is securely mounted on the racks and the lid is properly closed and locked with the key.



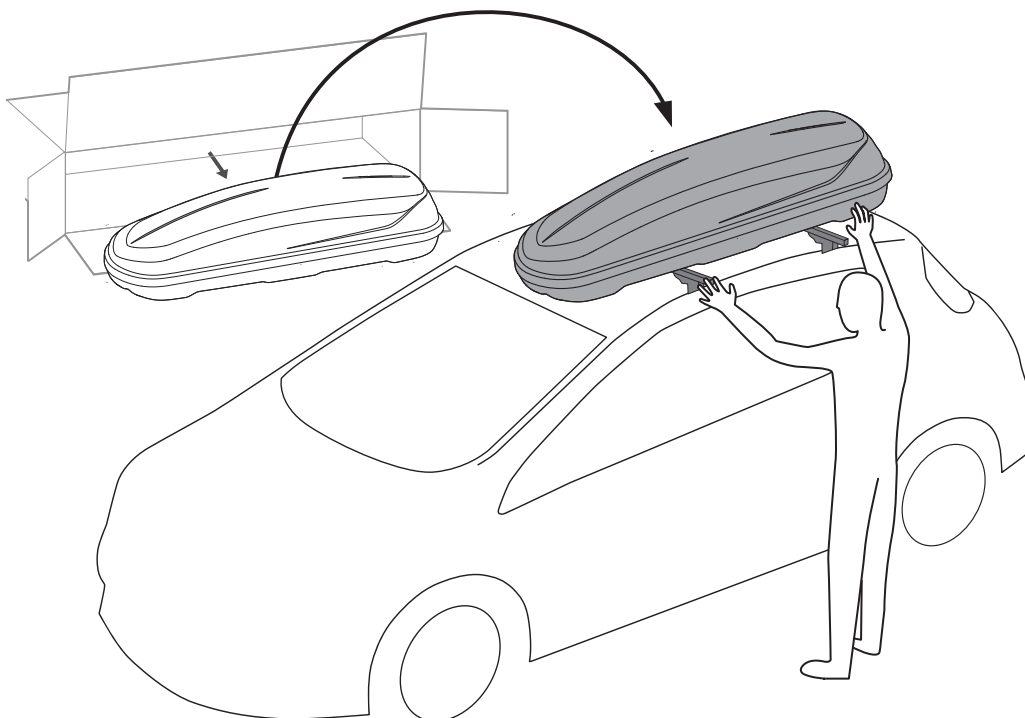


Rhino Zenith Masterfit Luggage Box

1

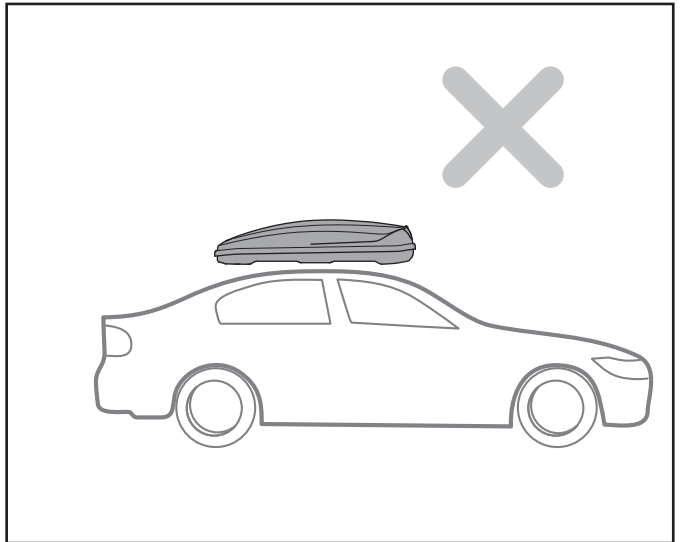
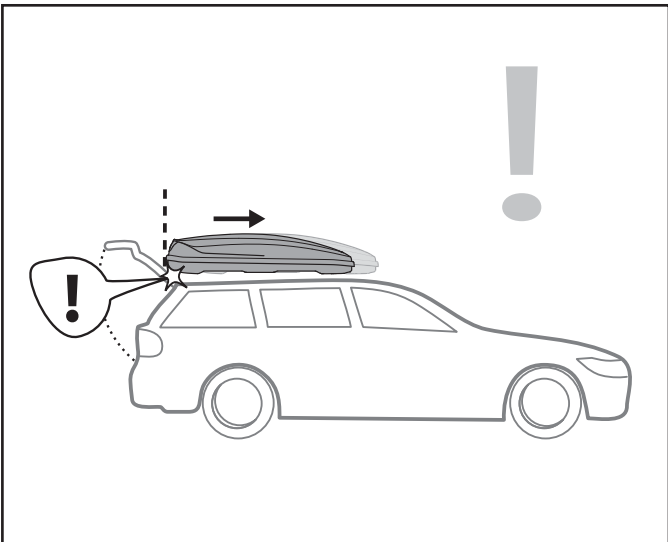
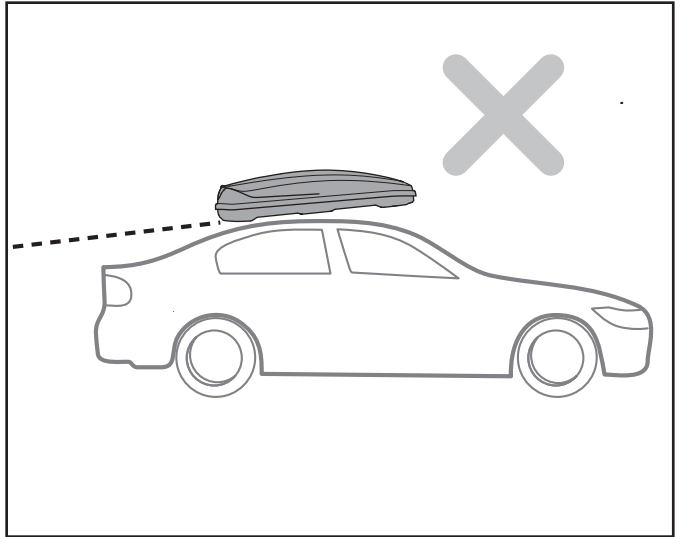
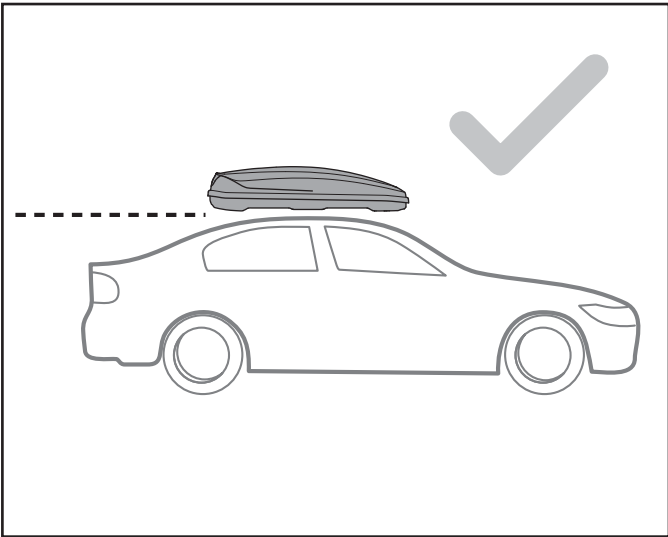
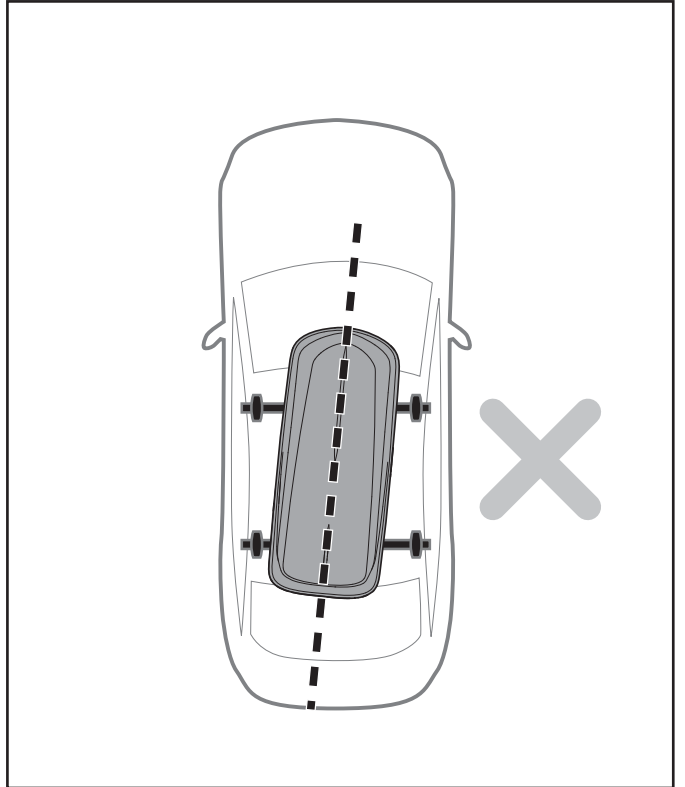
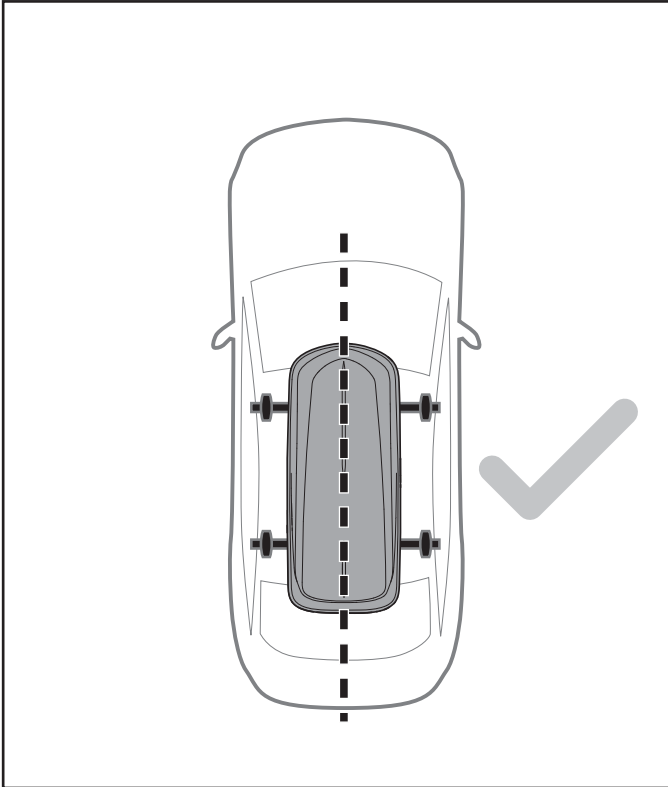


2





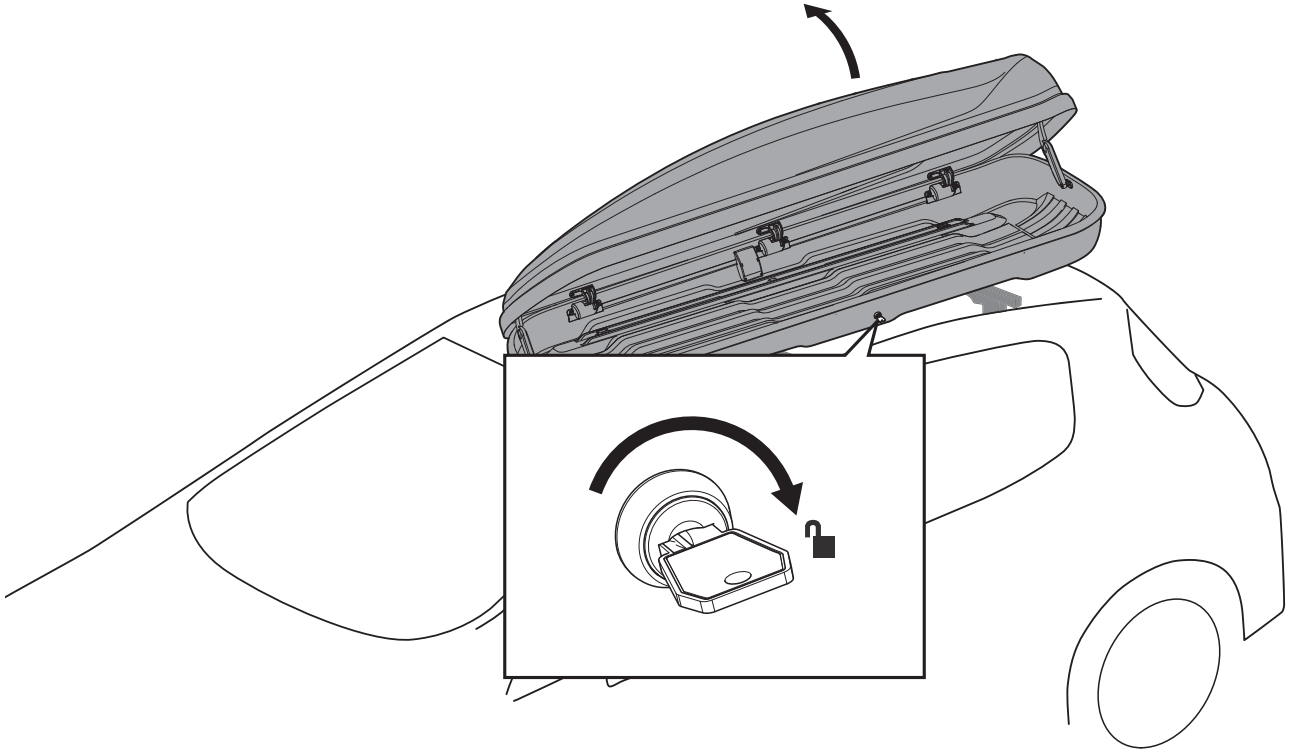
Rhino Zenith Masterfit Luggage Box



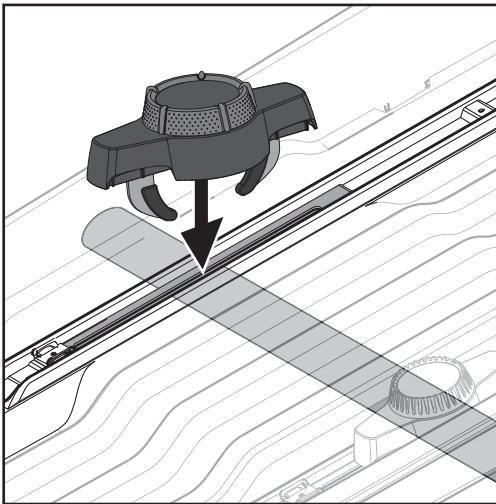


Rhino Zenith Masterfit Luggage Box

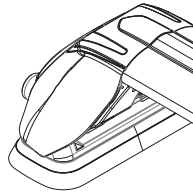
3 After positioning your luggage box, unlock the box and lift the lid open.



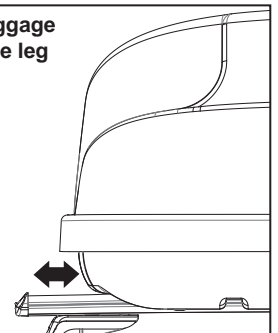
4 Position the claws as shown, aligned with the crossbars underneath.



Don't rest luggage box here



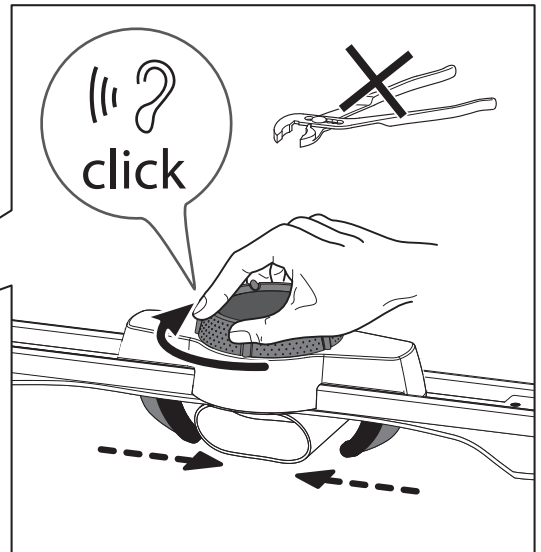
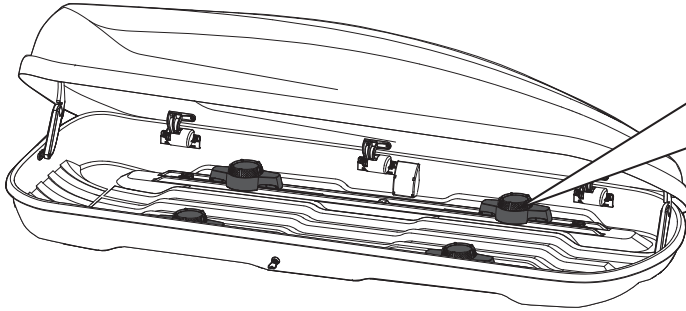
Make sure that the luggage pod sits away from the leg and the end cap



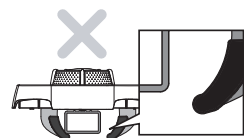
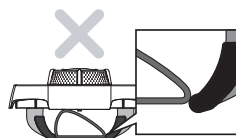
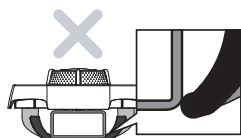
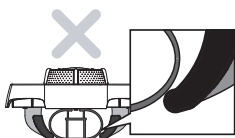
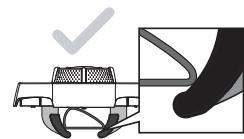
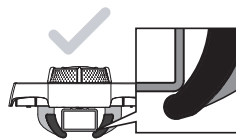
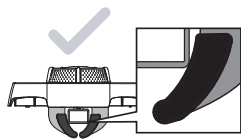
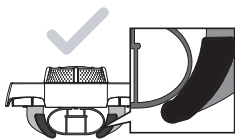
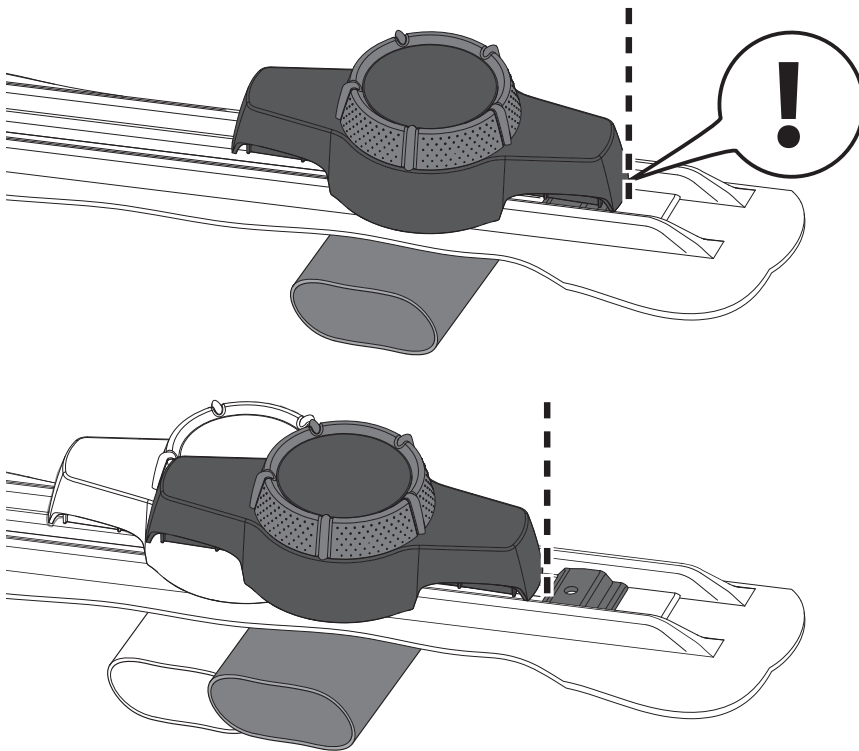


Rhino Zenith Masterfit Luggage Box

5 Tighten each claw as shown. Make sure that all claws are tightenend.



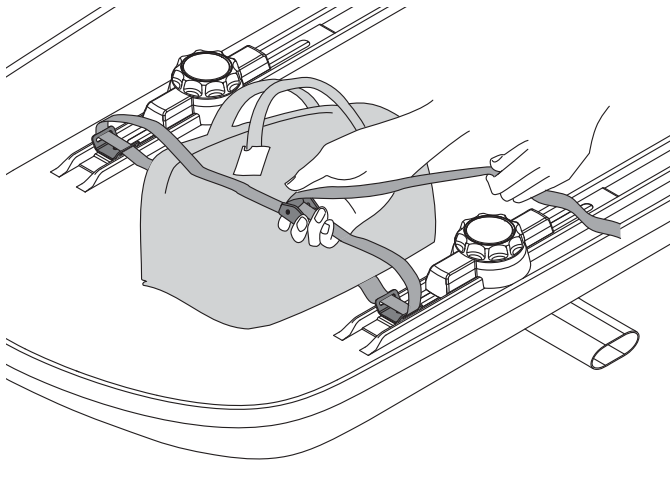
6 Ensure that the claws do not obstruct the tie points as shown.





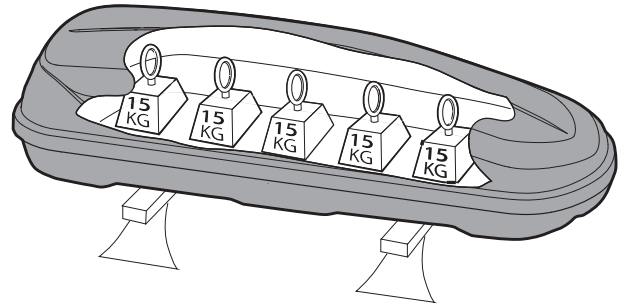
Rhino Zenith Masterfit Luggage Box

8 Use supplied straps to secure load.

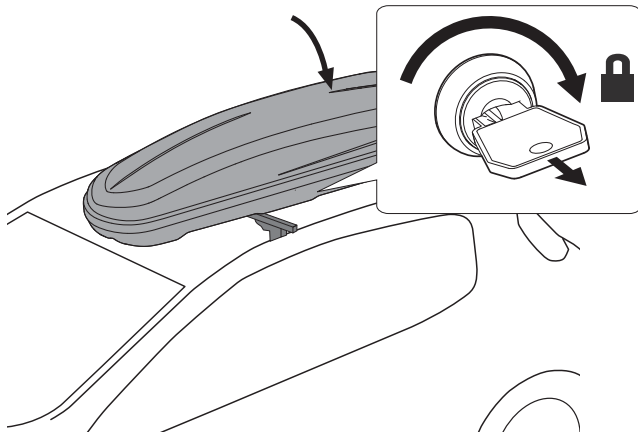


9 Distribute load evenly as shown.

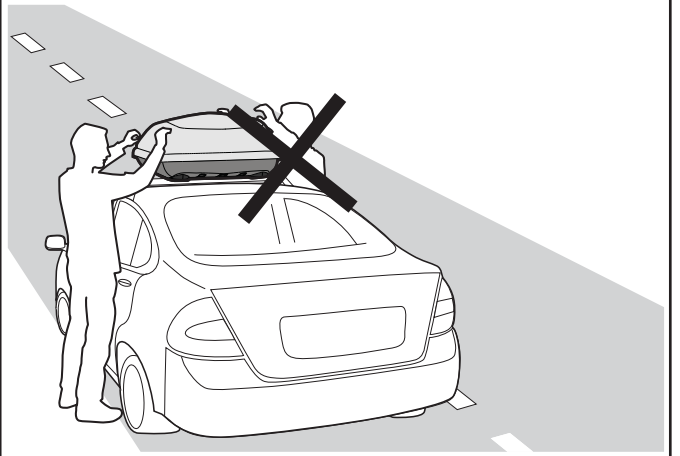
Max. 75 KG !



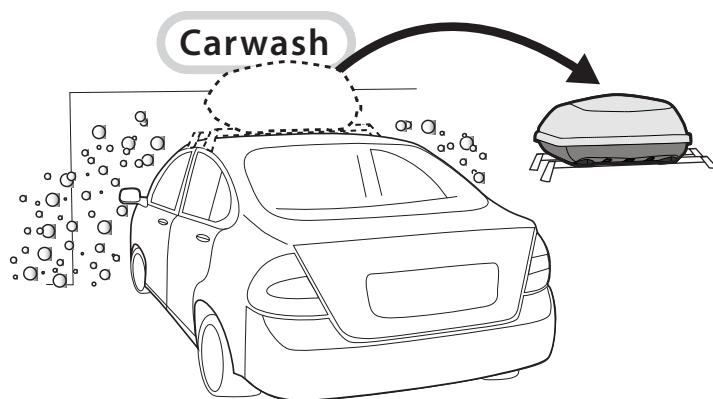
10 Close the box and lock it. Write lock number down at the front of this instruction.



11 Only install the box from the passenger side.



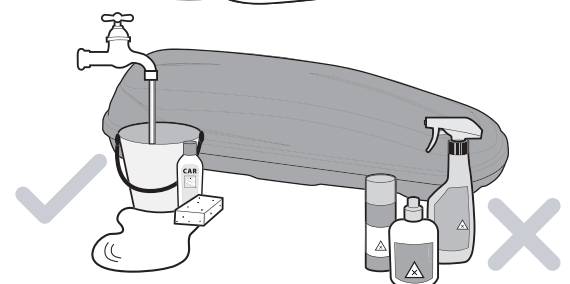
12 Remove luggage box and crossbars before entering an automatic carwash.



Please take note of the added height of the car due to the crossbar and luggage box.



Clean the box with tap water and possibly with car shampoo. Never use the following products to clean the box or remove stains: cleaning agents, oil, solvents and cleaning products that contain alcohol, chloride and ammonia. These products have an impact on the box material and result in irreparable damage/dischouring.





Rhino Zenith Masterfit Luggage Box

Important Information

Maximum luggage box load carrying capacity: 75kg

Recommendations:

Follow these instructions carefully when mounting and using your luggage box. If you notice one or more parts are missing, please contact your dealer and do not use or install the luggage box. Do not load the luggage box in such a way that the lid cannot be easily closed. Open and close the lid using both hands. The maximum roof load of your car as specified by the car manufacturer must not be exceeded.

Load Ratings:

The maximum load of the roof box is 75kg. Any sharp / pointed items in your luggage box should be properly protected in order to prevent damage. Make sure that the contents of the luggage box are properly secured and cannot move about while the car is moving. Car wash and water can be used to clean the luggage box. It is recommended that the luggage box be cleaned before storing it for extended periods.

Sensitivity to Crosswinds, Behaviour in Curves and Braking.

Remember that the luggage box may affect the road holding of your car (e.g. sensitivity to crosswinds, cornering and braking). The maximum speed with box fitted is 110km/h. Before driving off, make sure that your luggage box is properly secured to the roof racks and that the lid is closed.

Check:

After turning the luggage box lid key, the lid should not be able to be opened manually. Record down the number on the keys for future reference. To reduce fuel consumption remove the luggage box when not in use.

Please remove luggage box and crossbars when putting vehicle through an automatic car wash.