



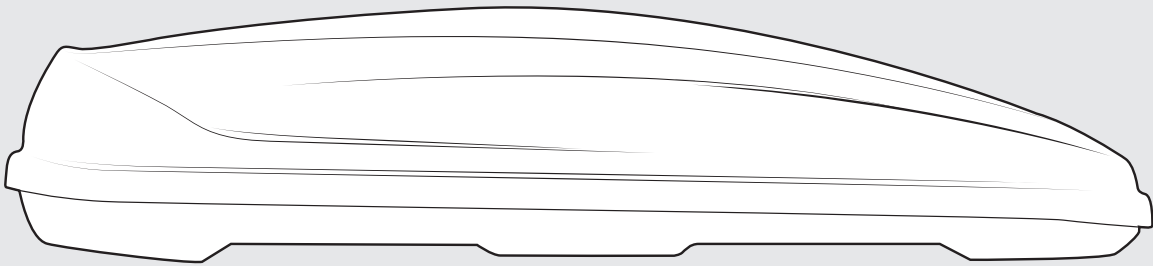
# RHINO-RACK®

## MasterFit Roof Boxes RMFT370, RMFT410, RMFT530

**Important:**

1. Check the Rhino-Rack website to ensure you have the latest issue of these instructions.
2. Please refer to your fitting instruction to ensure that the accessory is installed in the correctly.
3. Check the contents of kit before commencing fitment and report any discrepancies.
4. Place these instructions in the vehicle's glove box after installation is complete.
5. These instructions must be followed for warranty to be upheld.

**Fit Time:** 10 min

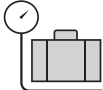
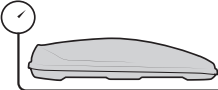



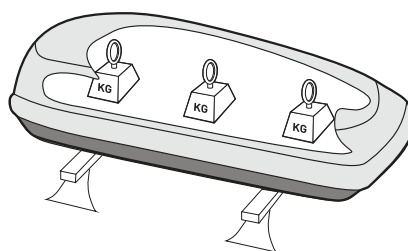
## RMFT Instructions

### Carrying Capacity

The maximum permissible cargo capacity in the roof box is **75kg/165lbs**. Refer to table below.

\*Check the vehicle owners hand book for your vehicle manufacturer's maximum carrying capacity. Do not exceed the vehicle manufacturer's maximum roof carrying capacity. The weight of the roof racks, that the accessory is attached to, must also be included in the total vehicle roof load.

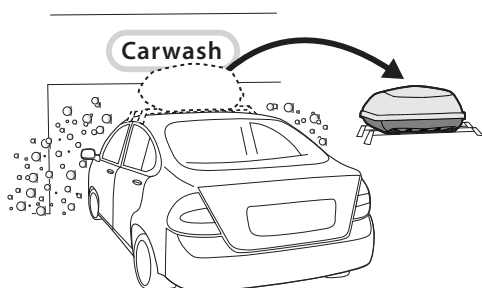
	 DYNAMIC CARGO ALLOWANCE	 ROOF BOX WEIGHT	 DYNAMIC TOTAL SYSTEM WEIGHT
RMFT370	Up to* 75kg / 165lbs	15kg / 33lbs	Up to* <b>90kg / 198lbs</b>
RMFT410		18kg / 39lbs	
RMFT530		21.5kg / 47lbs	
			<b>96.5kg / 212lbs</b>



Load must be evenly distributed

### Warning

- Check part number or kit is correct for use with your vehicle. If you notice one or more parts are missing, please contact your dealer and do not use or install the roof box.
- Do not attempt to fit the accessory to your vehicle unless you fully understand these fitting instructions. Please direct any questions regarding fitting to the dealer from where the product was purchased.
- Off-road conditions can be rigorous. Extreme care must be taken on any driven path that does not contain a surface protection layer (tar/bitumen).
- Always ensure that your roof box is properly secured to the roof racks.
- Always ensure you fasten your load securely so that the roof box contents cannot move about while the car is moving.
- Any sharp / pointed items in your roof box should be properly protected in order to prevent damage.
- Ensure product is correctly locked before driving. Do not load the roof box in such a way that the lid cannot be easily closed.
- Open and close the lid using both hands, and do not operate the roof box while on the side of the road.
- Do not store roof box in direct sunlight for extended periods of time.
- Do not carry corrosive or combusive materials withing the roof box.
- Do not carry live animals within the roof box.



Remove luggage box and crossbars before entering an automatic carwash.



Please take note of the added height of the car due to the crossbar and luggage box.

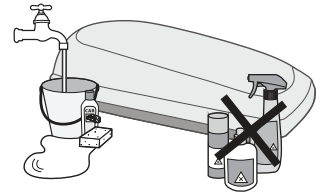


Only install the box from the passenger side.

## RMFT Instructions

### Recommendations

- Clean the box with tap water or car shampoo only.
- **Avoid:** Cleaning agents, oil, solvents and cleaning products that contain alcohol, chloride and ammonia as discolouring and irreparable damage may occur.
- It is recommended that the luggage box be cleaned before storing it for extended periods.
- To reduce fuel consumption remove the luggage box when not in use.



### In service maintenance checks

- All bolted connections should be checked after driving a short distance when you first install your roof racks & accessories.
- All bolted and claw connections should be checked again at regular intervals (every 1000k (621mi) is recommended, depending on road conditions, usage, loads and distances travelled). All bolted connections should be checked each time they are re-fitted.

### Torque Settings

Unless stated otherwise in these instructions, all fasteners should be set to the following torque settings:

M6: 4-5Nm (3-4lbs/ft), M8: 8-10Nm (6-7.5lbs/ft) M10: 16-18Nm (12-13lbs/ft).

### Sensitivity to Crosswinds, Behaviour in Curves and Braking.

Remember that the luggage box may affect the road handling of your car (e.g. sensitivity to crosswinds, cornering and braking).  
**The maximum speed with box fitted is 130km/h.**

### Note for Dealers and Fitters

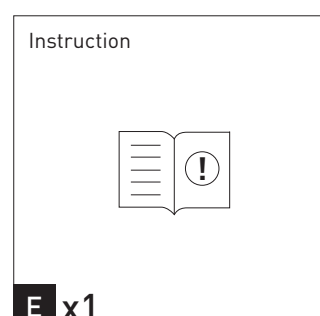
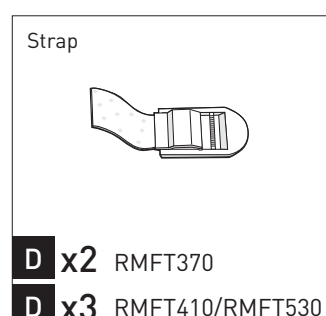
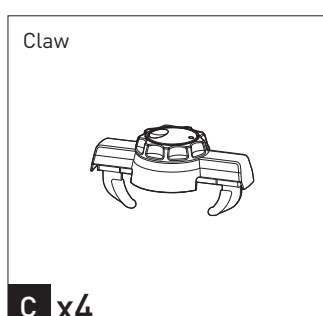
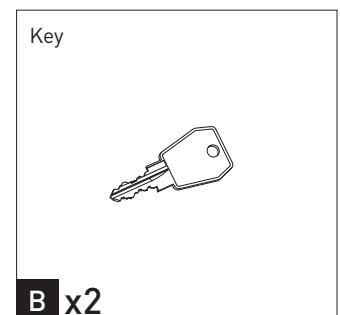
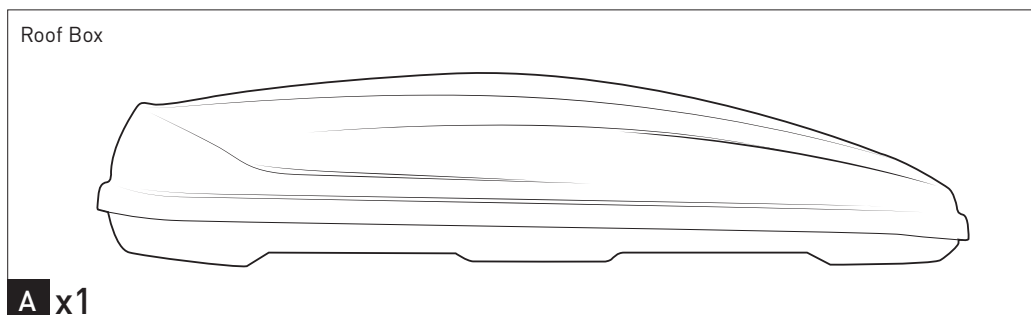
It is your responsibility to ensure these fitting instructions are given to the end user or client. These instructions remain the property of Rhino-Rack Australia Pty. Ltd. and may not be used or changed for any other purpose than intended.

### Note for Users

Before using your luggage box, make sure it is securely mounted on the racks and the lid is properly closed and locked with the key.

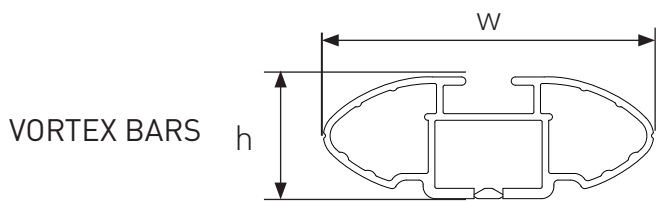
<p><b>Record your key number here for future reference, in case of misplaced or lost keys</b></p>	
---	---

### Parts List

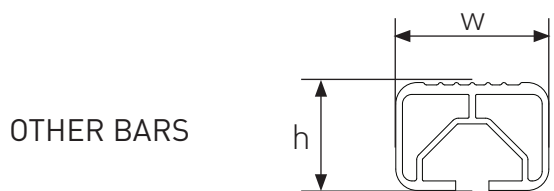


**Tools Required:**  
T1 - Measuring Tape

**1** Ensure installed crossbars are within the below size limitations

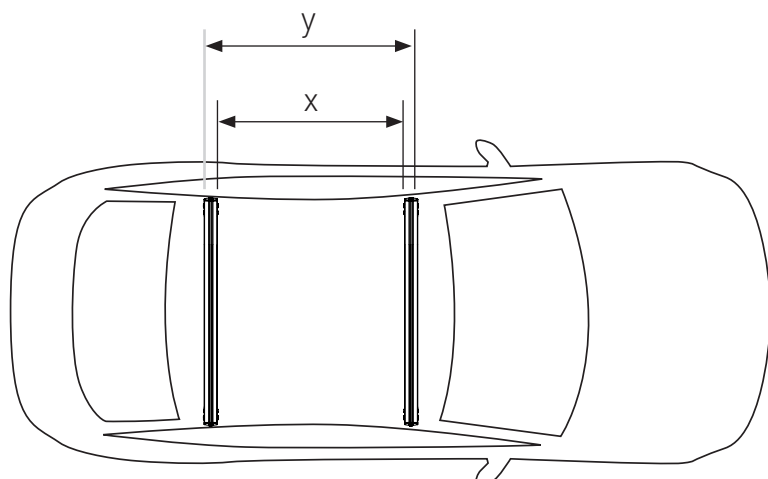
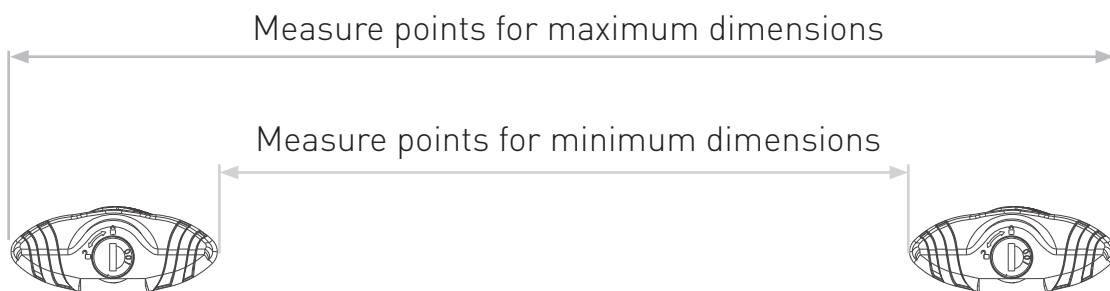


	Min	Max
HEIGHT (h)	18mm	38mm
WIDTH (w)	Up to	95mm



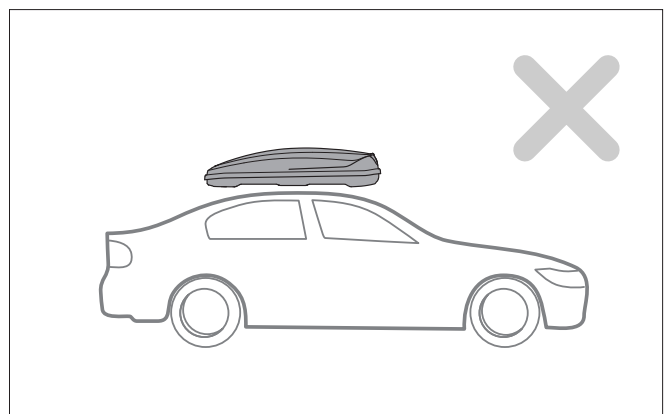
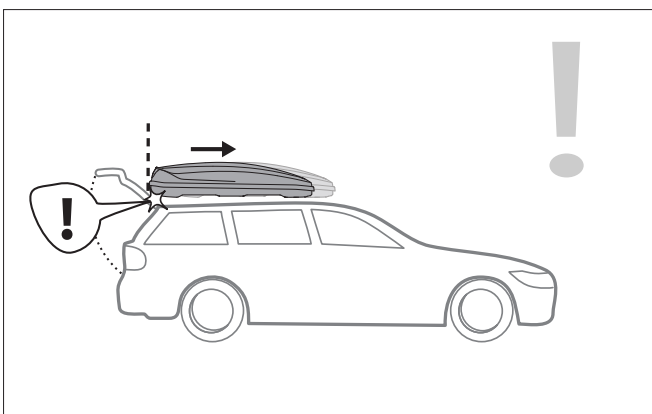
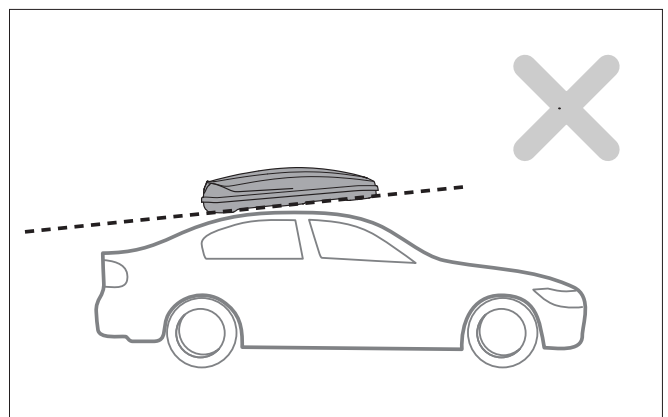
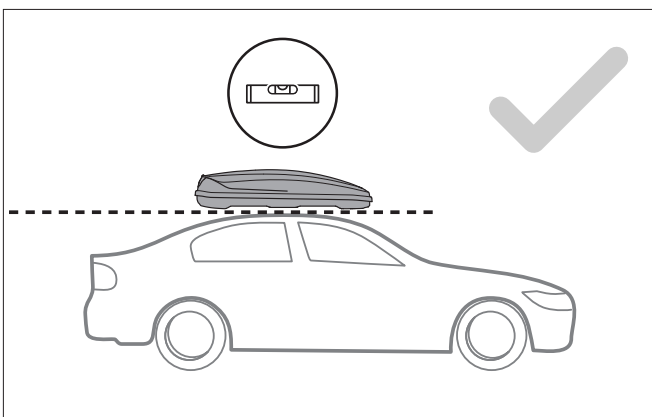
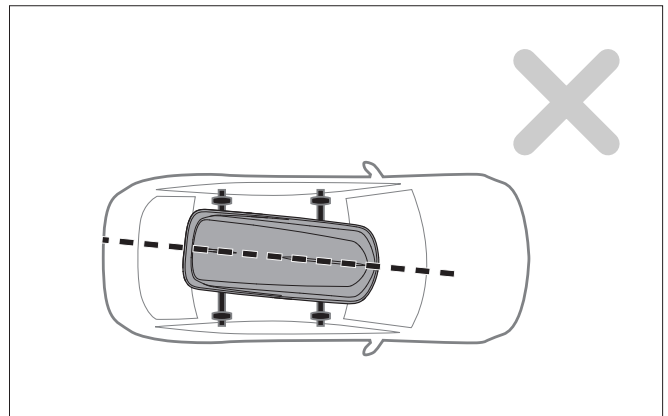
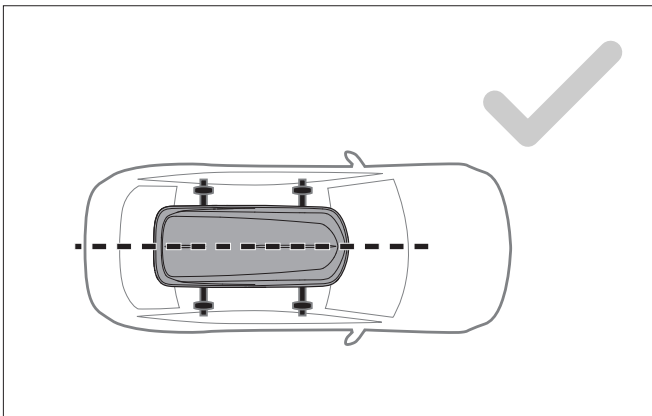
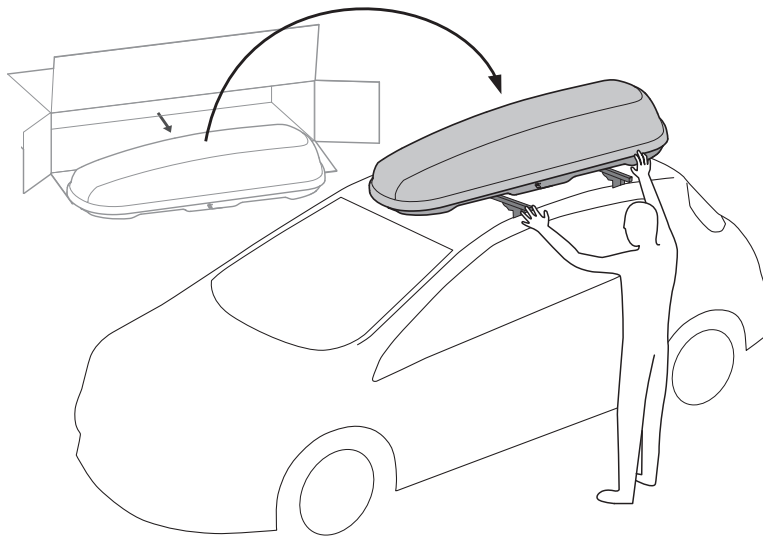
	Min (w)	Max (w)
HEIGHT (h)	18mm	28mm
WIDTH (w)	Up to	95mm

**2** Adjust (if required) crossbars within the below limitations

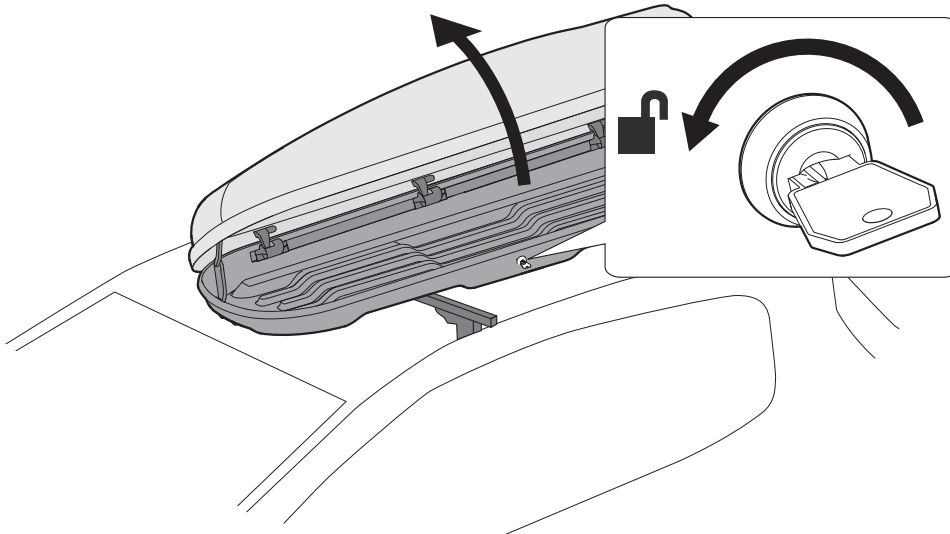


	Min (x)	Max (y)
RMFT370	550mm	890mm
RMFT410	550mm	950mm
RMFT530	550mm	950mm

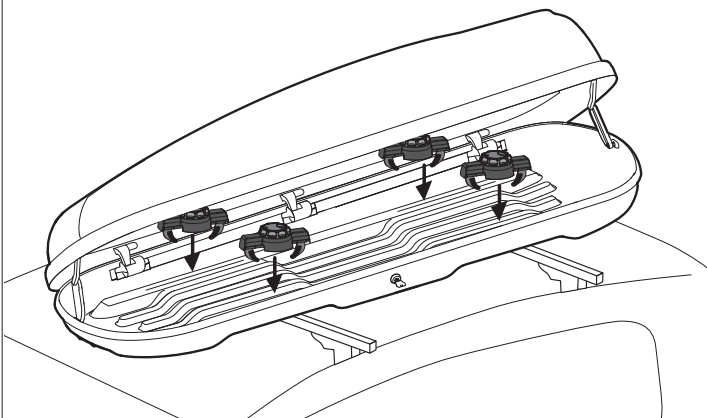
3



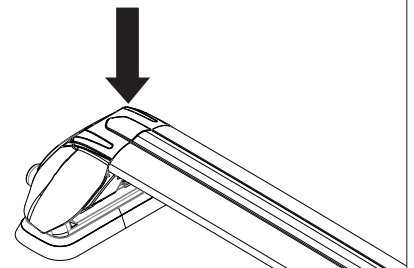
4 After positioning your luggage box, unlock the box and lift the lid open.



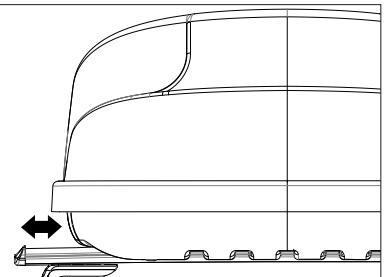
5 Position the claws as shown, aligned with the crossbars underneath.



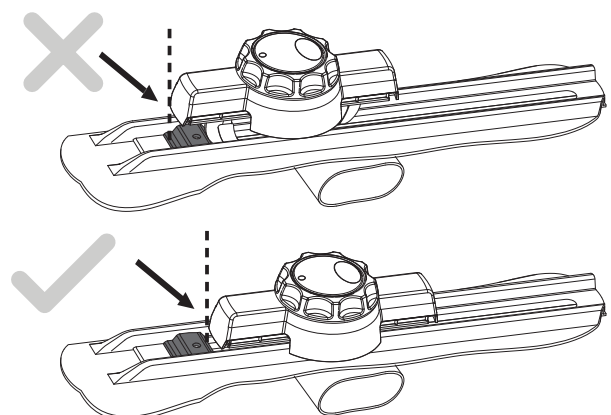
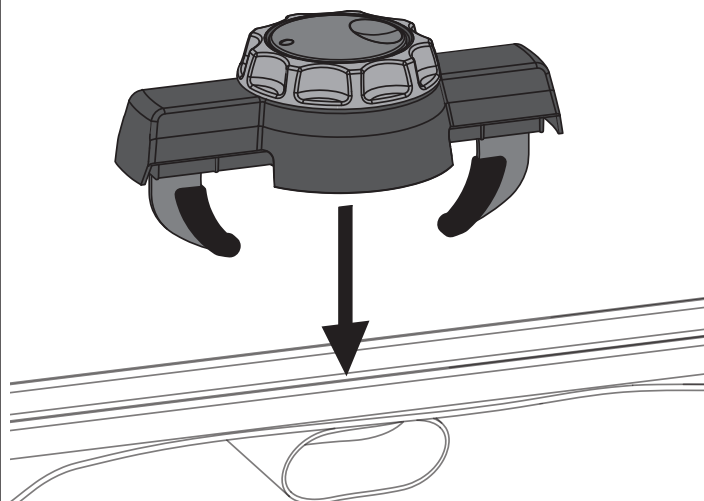
**Do not** rest roof box here



Make sure that the roof pod sits away from the leg and the end cap

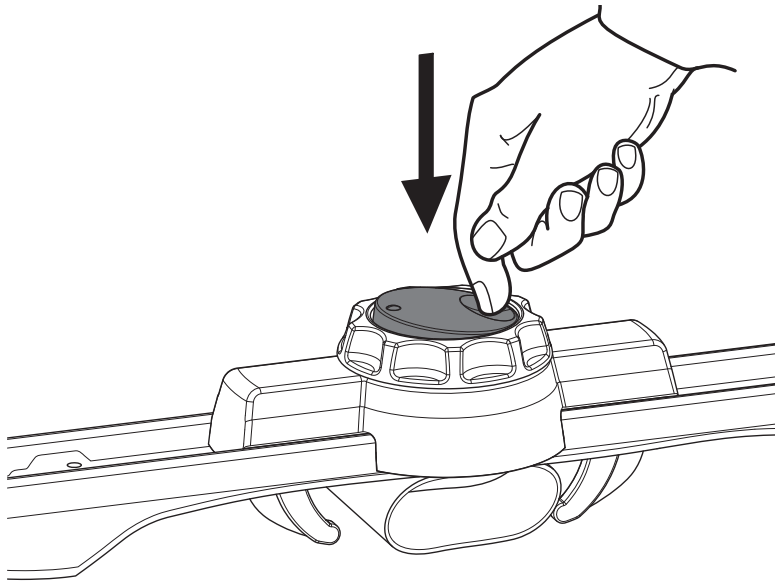


6

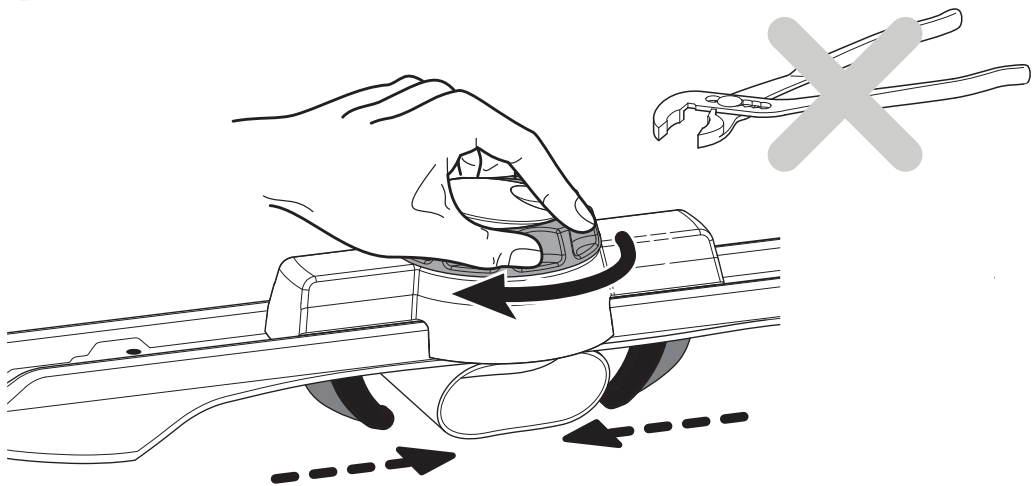


7 Tighten each claw as shown. Make sure that all claws are tightened.

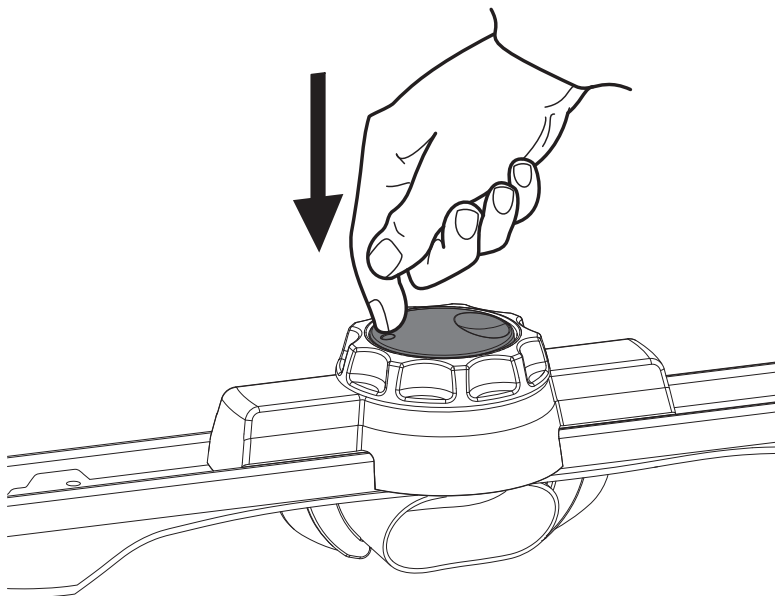
1



2



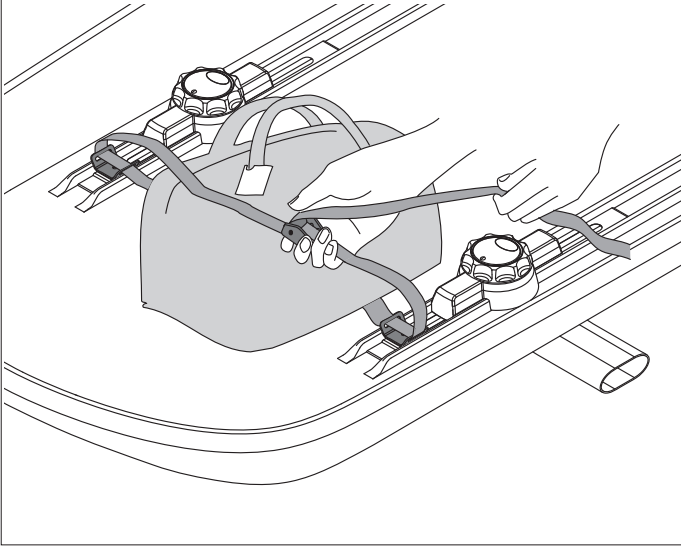
3



## RMFT Instructions

---

**8** Use supplied straps to secure load.



**9** Close and lock box. Write lock number down at the front of this instruction.

