

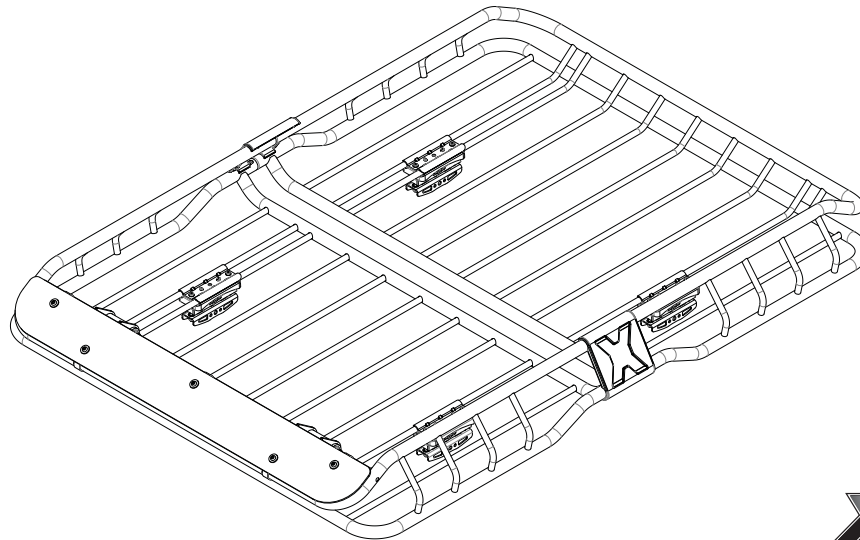


RHINO-RACK

XTray Pro Large (RMCB03)

- | | |
|--|--|
| 1. <input type="checkbox"/> Check Part No./Kit is correct | 3. <input type="checkbox"/> Fit roof rack accessory |
| 2. <input type="checkbox"/> Read through instruction before installing | 4. <input type="checkbox"/> Check and recheck all fasteners are secure |

Layout



XTRAYLGE

Maximum load carrying capacity: 75kg/165lbs

Important Information

On Road Cargo Allowance	Off Road Cargo Allowance	Roof Allowance	Rack Weight
54kg / 119lbs	36kg / 79lbs	75kg / 165lbs	21kg / 46lbs
74kg / 163lbs	49kg / 108lbs	100kg / 220lbs	21kg / 46lbs

IMPORTANT INFORMATION

Warning:

It is important that all roof racks and accessories are installed and attached correctly. Failure to follow the correct attachments could result in an accident, serious injury or death to others. The driver of the vehicle is responsible for securing the roof racks and accessories, checking the attachments, periodically checking bolt torque and visual inspection of all components for wear and damage. Do not attempt to fit the roof rack system or accessory to your vehicle unless you fully understand these fitting instructions. Please direct any questions regarding fitting to the dealer or retailer from where they were purchased.

Maximum carrying capacity: 165lbs (75kg) including the weight of the basket 46lbs (21kg).

Please refer to your vehicle manufacturers handbook for maximum carrying capacity. Always use the lower of the two figures. Load must be evenly distributed over the entire basket.

Use only non-stretch fastening ropes or straps. Ratchet straps are not recommended for use with this basket.

Recommendations: It is essential that all bolt connections be checked after driving a short distance when you first install your roof racks. Bolt connections should be checked again at regular intervals. You should also check the roof racks each time they are re-fitted. Always make sure to fasten your load securely. Please also ensure that all loads are evenly distributed and that the centre of gravity is kept as low as possible and must be entirely contained within the extents of the basket.

The XTray must be removed when putting vehicle through an automatic car wash. Caution: The handling characteristics of the vehicle changes when you transport a load on the roof. For safety reasons we recommend you exercise extreme care when transporting wind-resistant loads. Special consideration must be taken into account when cornering and braking.

Off-road use:

The XTray may be used in off road applications, however a safety factor of 1.5 is enforced (50kg/116lbs).



XTray Pro Large (RMCB03)

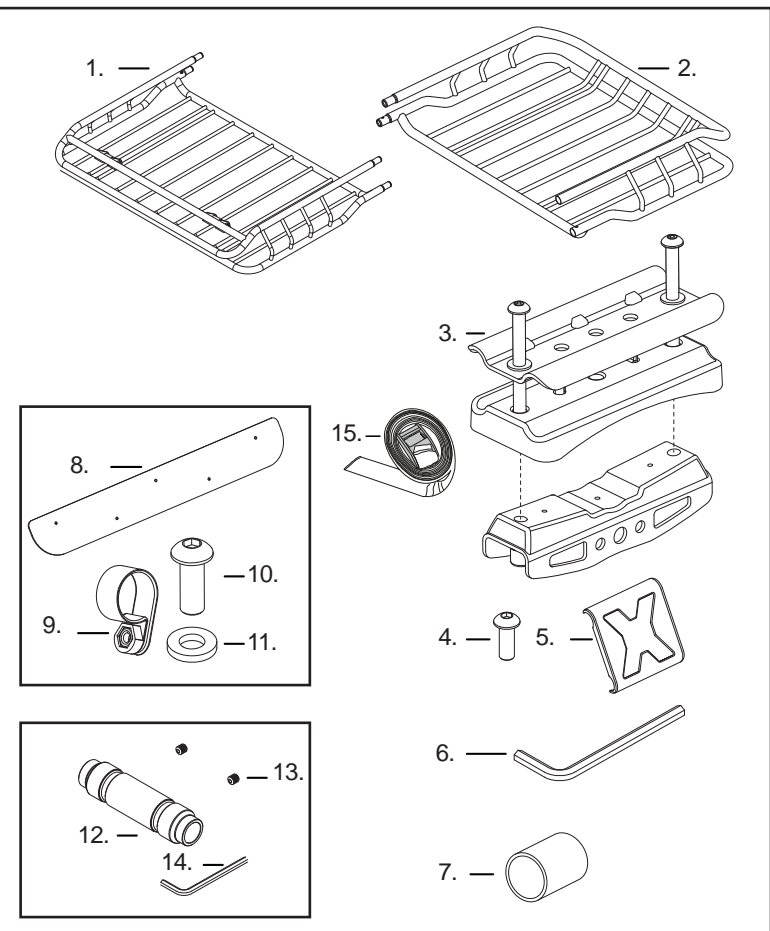


Parts List

Item	Component Name	Qty	Part No.
Basket Components			
1	Half Basket - Front	1	-
2	Half Basket - Rear	1	-
3	Mounting Kit	4	-
4	M6 x 16mm Button Screw	4	B036
5	Side Cover	2	-
6	Allen Key	1	H002
7	Waterproof Cover	4	-
Deflector Components			
8	Deflector	1	-
9	Deflector Clamp	5	-
10	M6 x 16mm Screw	5	B036
11	M6 x 12.5mm Washer	5	W003
Thru Axle			
12	Thru Axle Insert 15 x 100mm	2	CA1523
13	M6 Grub Screws	4	CA1522
14	3mm Allen Key	1	B238
Accessories			
15	Bike Retention Strap	2	-

Tools Required: Measuring Tape.

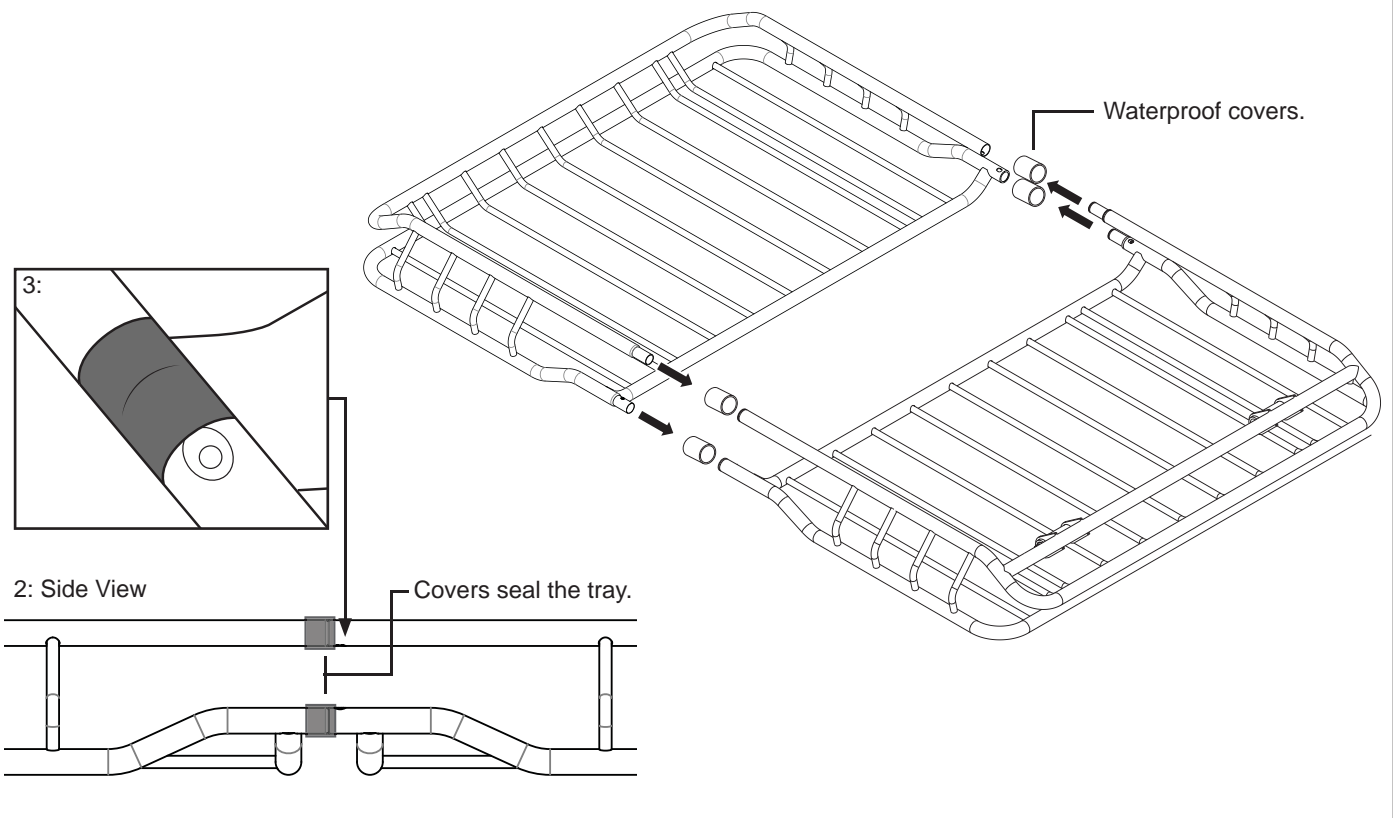
Note: Be sure to identify correct size Thru Axle for your bike. Additional sizes can be purchased to suit most bikes.



Instructions

1

1: Slide a waterproof cover over the ends of the tray as shown. 2: Connect the two sides of the tray to create the XTray body. 3: Slide the waterproof covers over the joint of the two halves, note that the threaded holes must remain uncovered.



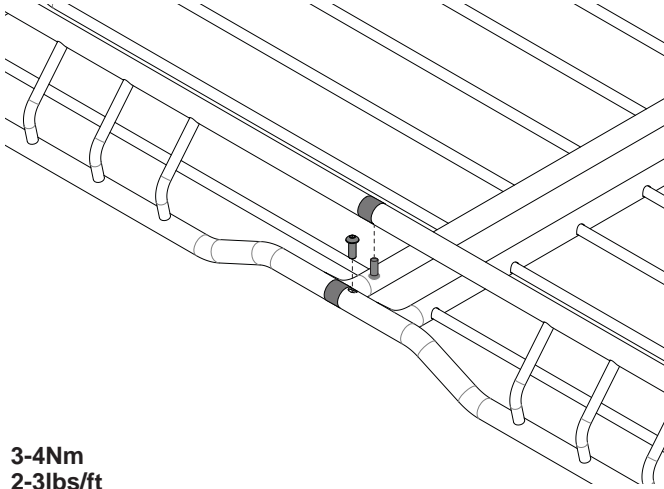


XTray Pro Large (RMCB03)

XTRAY_{LGE}

2

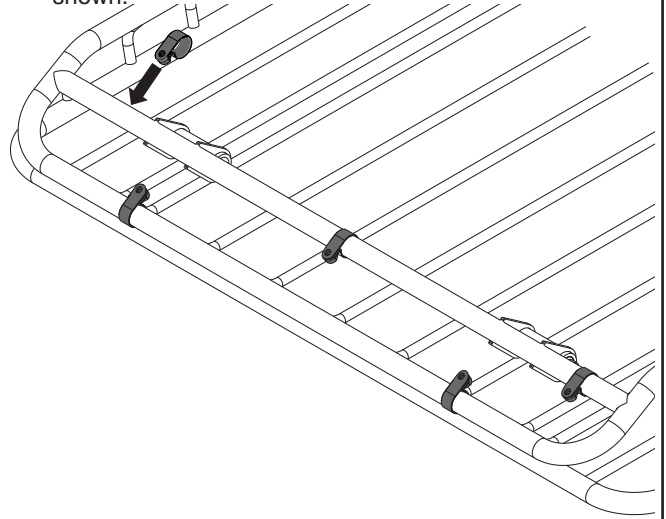
Insert 4x M6x16mm button screws (2 each side) into the tray as shown, Tighten with allen key provided.



3-4Nm
2-3lbs/ft

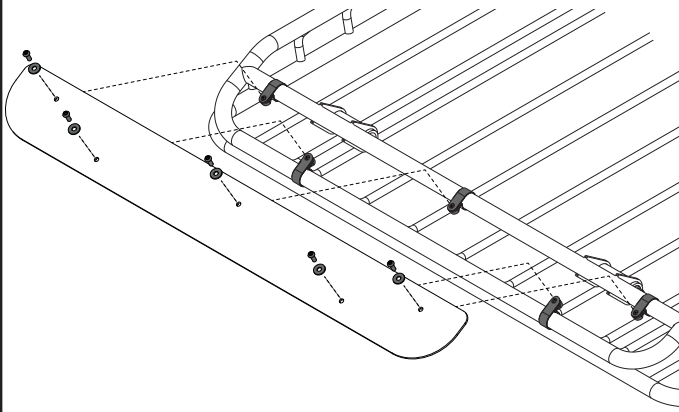
3

Clip the deflector clamps onto the front of the tray as shown.



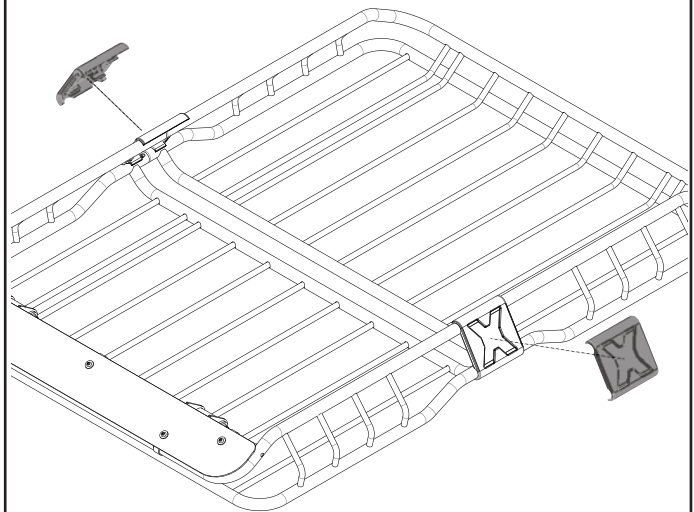
4

Attach the deflector to the clamps previously installed. Line the clamps up behind the deflector so it sits evenly on the front of the tray. Fix in place using M6 x 16mm screws and M6 x 12.5mm flat washers.



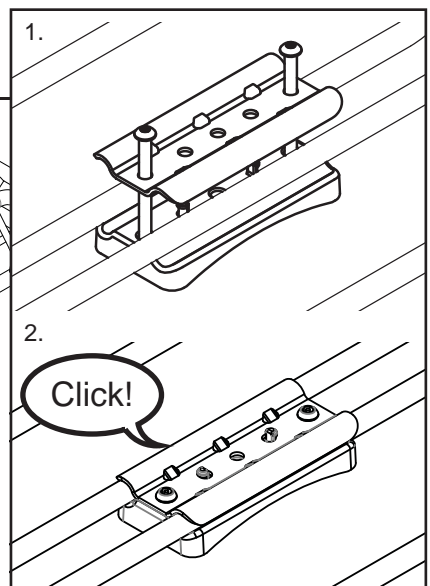
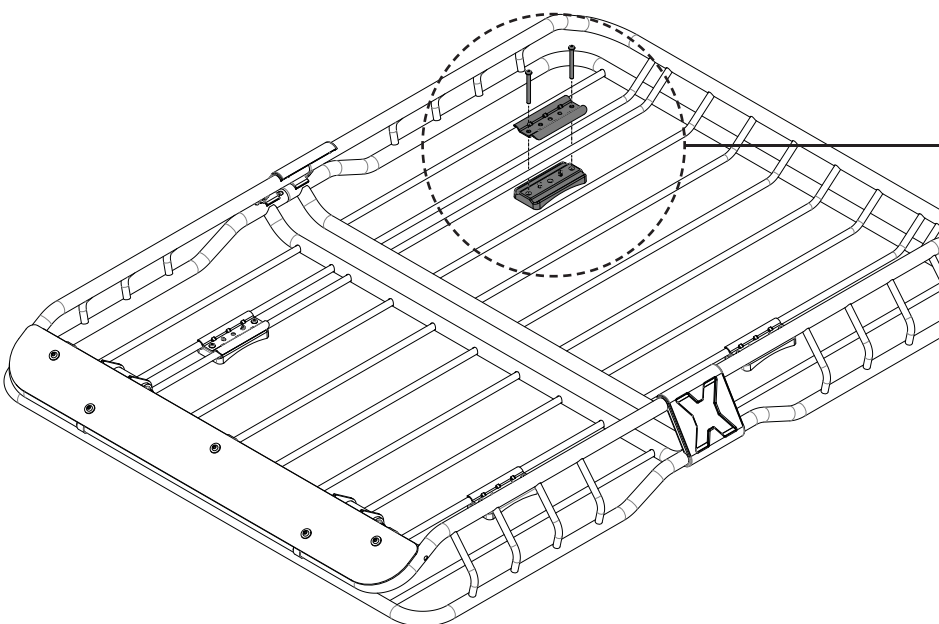
5

Clip both side covers onto the tray.



6

Install the top section of the mounting kit as shown.



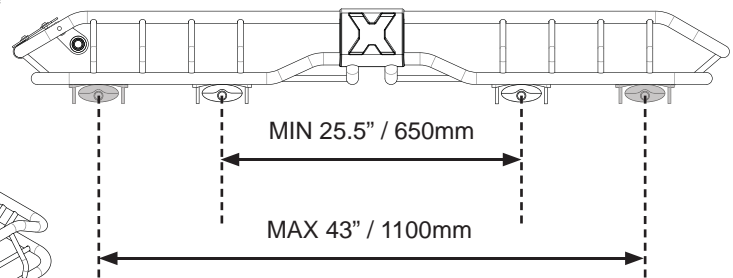
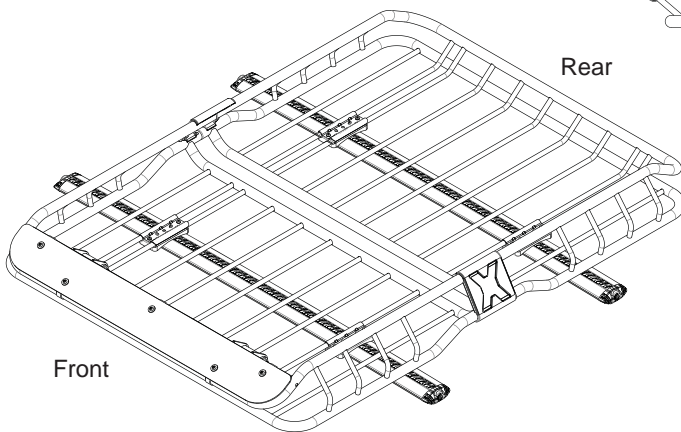


XTray Pro Large (RMCB03)

XTRAY_{LGE}

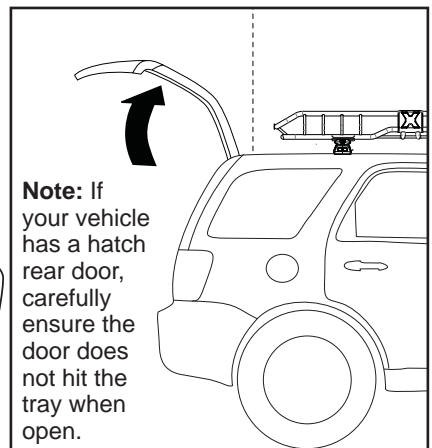
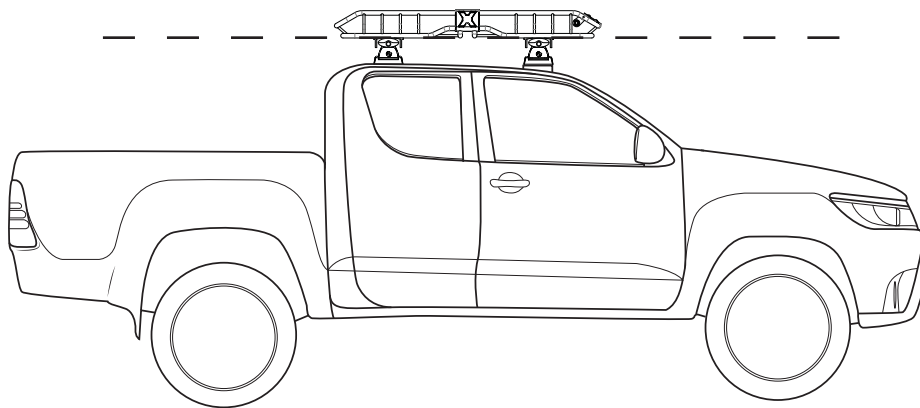
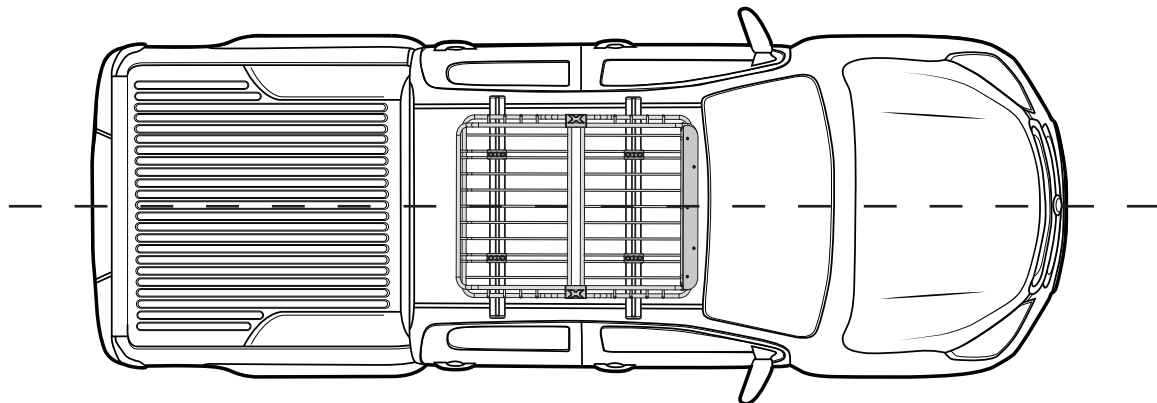
7

Place the tray onto the crossbars of the vehicle. Slide the mounts around to sit evenly on the crossbars.



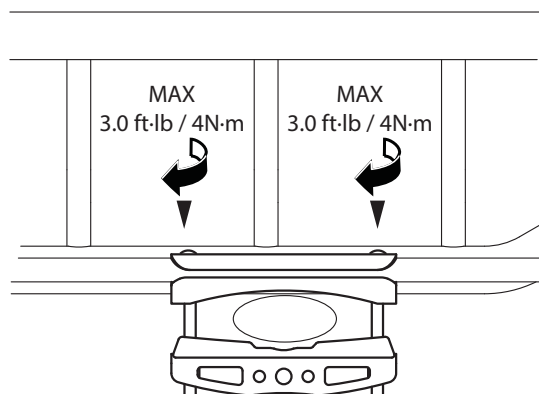
8

Ensure the tray sits level and straight on the crossbars.



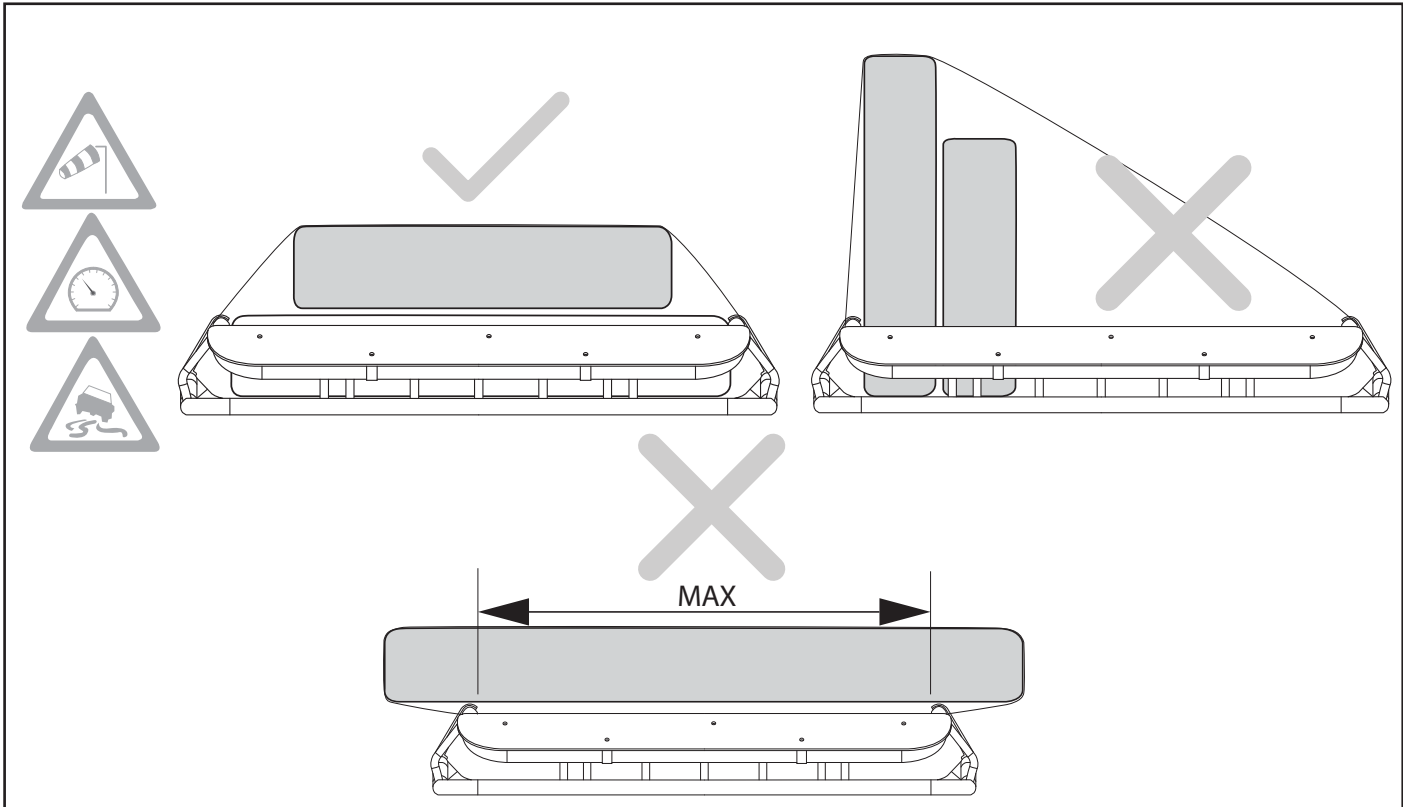
9

With the tray in place, install the lower clamp of the mount kit. Tighten with the allen key provided.

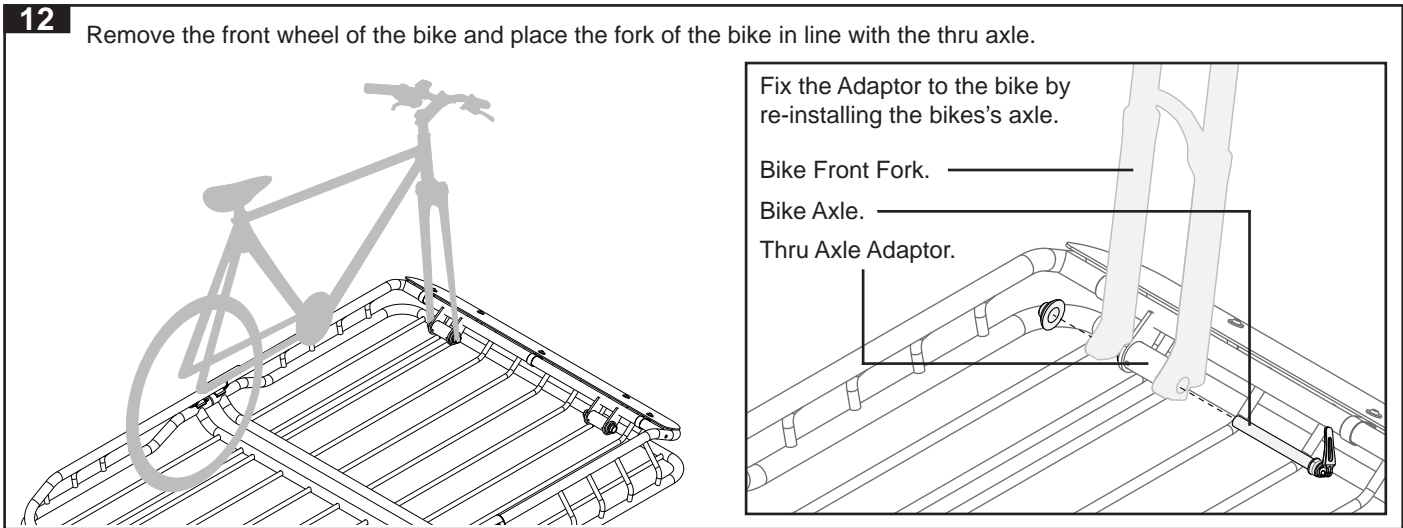
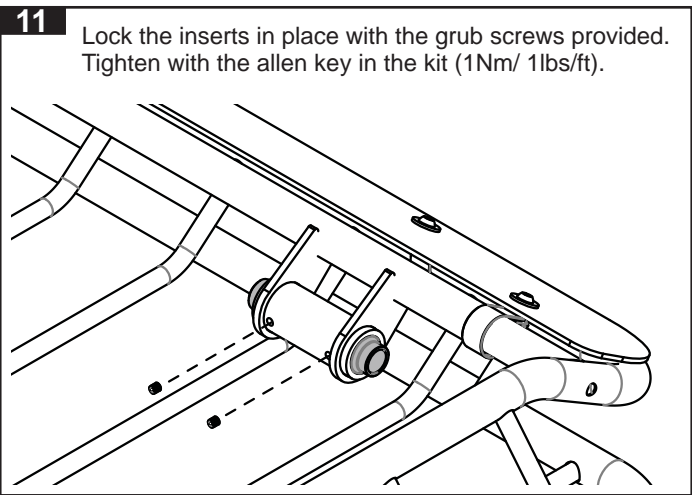
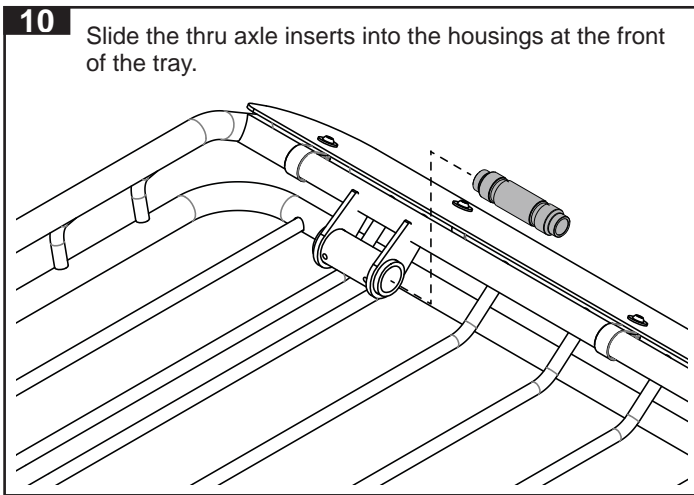




Warnings



Bike Thru Axle Instructions

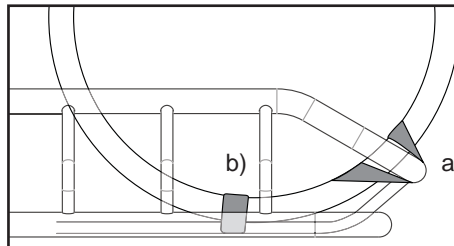
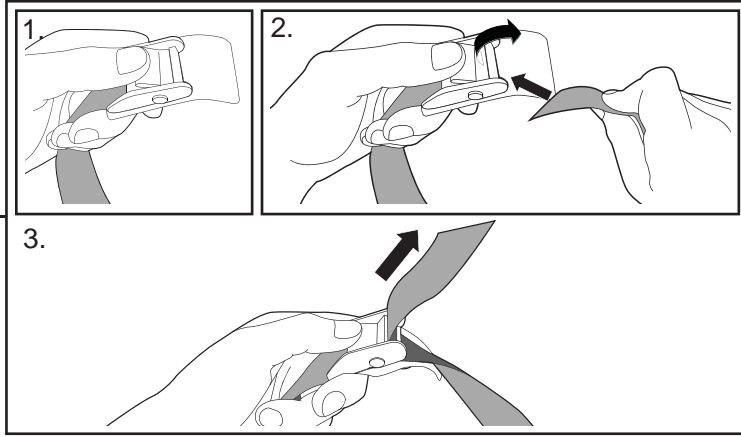
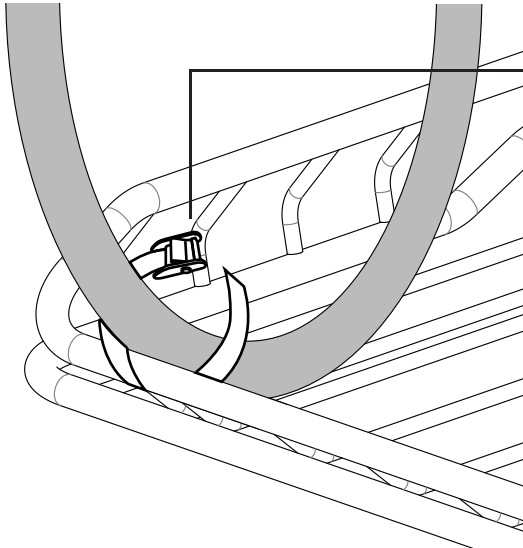




XTray Pro Large (RMCB03)

XTRAY_{LGE}

- 13** Fix the bike rear wheel in place using the strap provided. Wrap the Strap through the wheel of the bike and around the rear of tray. This will ensure the bike is fixed into the tray. **Note: Check all fixtures are secure before use.**



Side View: Secure to either rear, or, for shorter bikes, the bottom of the tray. Set buckle away from the rim to avoid damage.

Dimensions

Internal:
37.4" / 950mm
53.2" / 1352mm

