

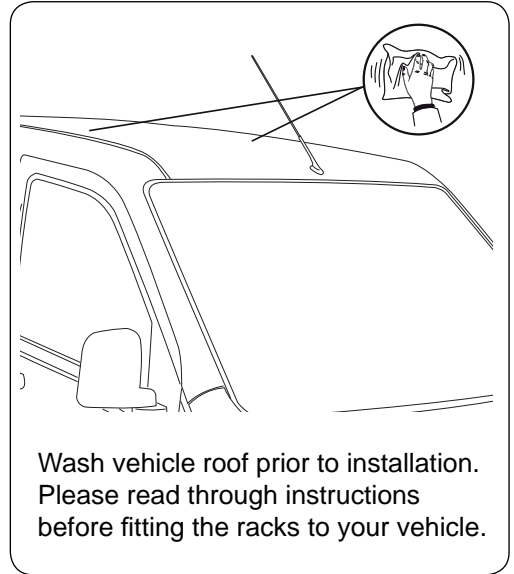
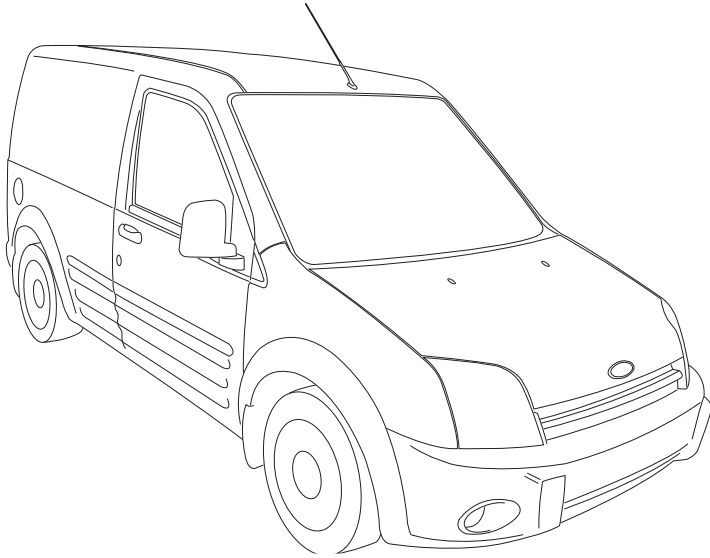


RHINO-RACK

Aerodynamic & Heavy Duty Roof Rack Systems

RLZ01 - Rhino Commercial Two Bar System Ford Transit Connect.

Important: Please read these instructions carefully prior to installation.
Please refer to your fitting instruction to ensure that the roof racks are installed in the correct locations.
Check the contents of kit before commencing fitment and report any discrepancies.
Place these instructions in the vehicle's glove box after installation is complete.



Important Information

Maximum carrying capacity: 100kg (220lbs), evenly distributed over the cross bars.

Recommendations:

It is essential that all bolt connections be checked after driving a short distance when you first install your cross bars. Bolt connections should be checked again at regular intervals (probably once a week is enough, depending on road conditions, usage, loads and distances travelled). You should also check the cross bars each time they are re-fitted.

Make sure to fasten your load securely. Please ensure that all loads are evenly distributed and that the centre of gravity is kept as low as possible.

Use only non-stretch fastening ropes or straps.

The handling characteristics of the vehicle changes when you transport a load on the roof. For safety reasons, we recommend you exercise extreme care when transporting wind-resisting loads; Special consideration must be taken into account when cornering and braking.

Please remove cross bars when putting vehicle through an automatic car wash.

Load Ratings:

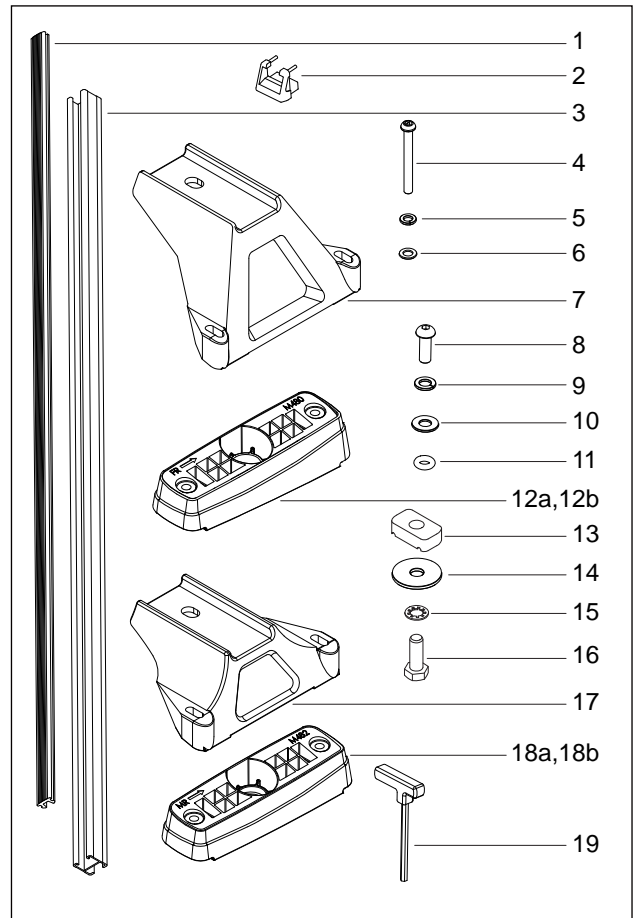
Maximum permissible load is 100kg (220lbs) per pair of cross bars. When cross bars are to be used in off-road conditions, please build a safety factor of 1.5 into this load limit. 67kg (147lbs) for off-road conditions. Although the cross bars are tested and approved to AS1235-2000. Road conditions can be much more rigorous. However, increasing the number of cross bars does not increase the vehicles maximum permissible roof loading.



RLZ01 - Ford Transit Connect

Parts List

Item	Component Name	Qty	Part No.
1	Rubber Buffer Strip 1250mm	2	R004
2	End Cap	4	M002
3	Cross Bar 1250mm	2	A019
4	M6 x 45mm Security Screw	8	B091
5	M6 Spring Washer	8	W004
6	M6 x 12.5mm Flat Washer	8	W003
7	RLTF Leg	2	M010
8	M8 x 25mm Button head bolt	4	B140
9	M8 Spring washer	4	W019
10	M8 Flat washer	4	W030
11	M8 Rubber O-ring	4	C299
12a	Pad FR	1	M480
12b	Pad FL	1	M479
13	M10 Channel Nut	4	N024
14	M10 x 38mm Flat Washer	4	W022
15	M10 Shakeproof Washer	4	W021
16	M10 x 25mm Hex Bolt	4	B071
17	RLTP Leg	2	M057
18a	Pad MR	1	M482
18b	Pad ML	1	M481
19	5mm Security Allen Key	1	SecKey-S
20	Fitting Instruction	1	RR-247



Maximum carrying capacity: 100kg (220lbs) evenly distributed over cross bars.

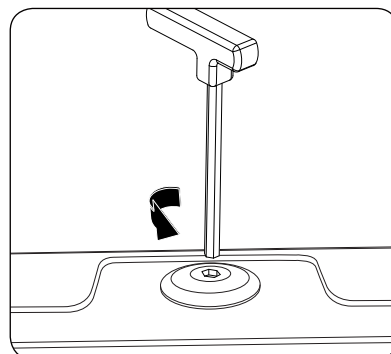
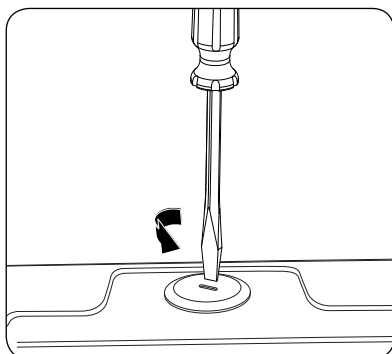
Tools Required:

5mm Security Allen key, included.
5/8 or 16mm spanner.
Rubber Mallet.

Utility knife.
Flat head screwdriver.
Tape measure.

1 Roof plugs.

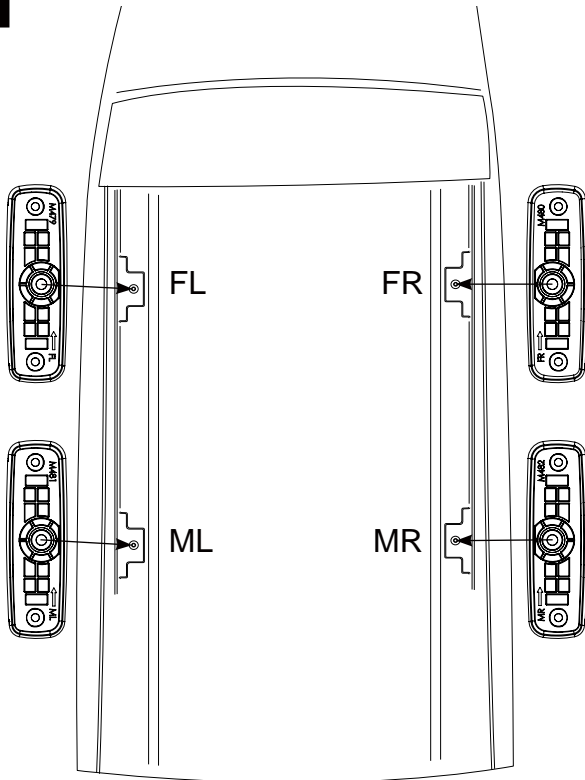
Locate the four mounting points on the roof. Remove all four roof plugs. Depending on the year model, use either a flat head screwdriver or the 5mm security allen key included in kit. This exposes the M8 thread for attaching the racks. Store the plugs for replacement when roof racks are removed.





RLZ01 - Ford Transit Connect

2



Roof pad orientation, 2 bar system.

The top surface of the pads have FR, FL and MR, ML marked on them. This denotes their position on the roof.

Arrows on top of all 4 pads face forward when correctly installed.

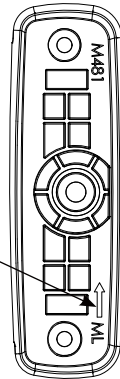
FL = Front Left.

FR = Front Right.

ML = Middle/Rear Left.

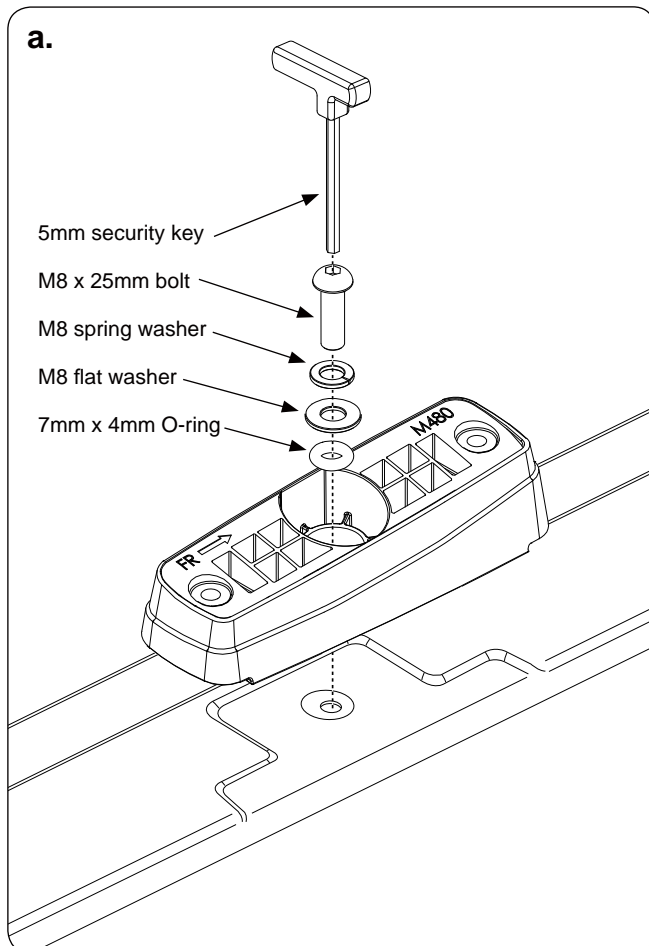
MR = Middle/Rear Right.

Arrow faces forward.



3

a.

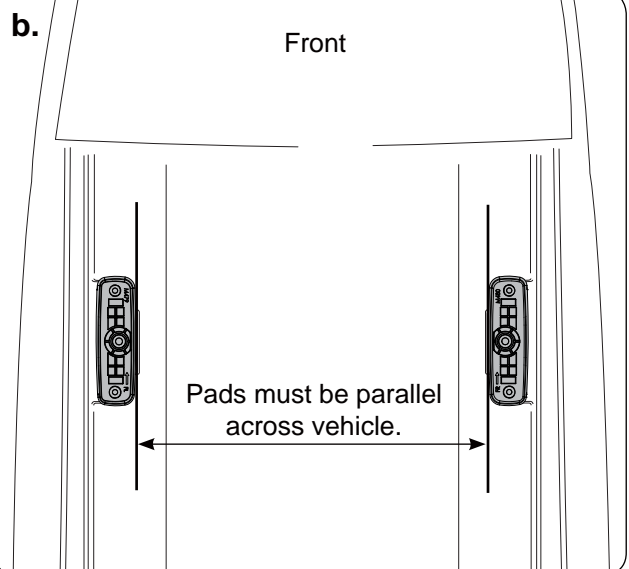


Attach pads.

a. Assemble the hardware with pad in the order shown at left.

b. Make sure the corresponding pads (*FL, FR*) & (*ML, MR*) are parallel across the vehicle.

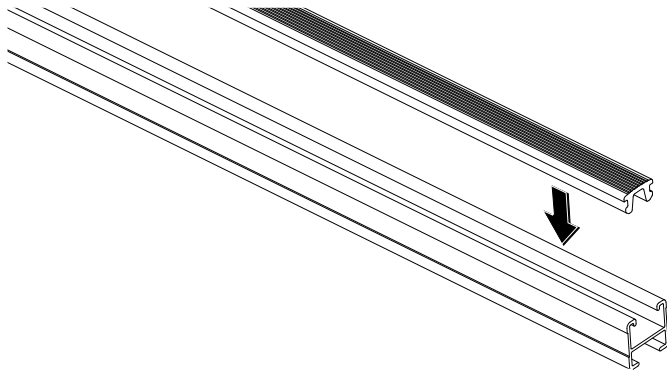
Once the pads are sitting correctly tighten the M8 bolt to 7-8 Nm (5-6 ft lb).





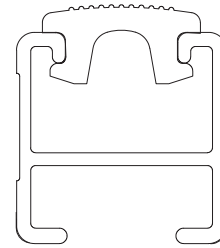
RLZ01 - Ford Transit Connect

4

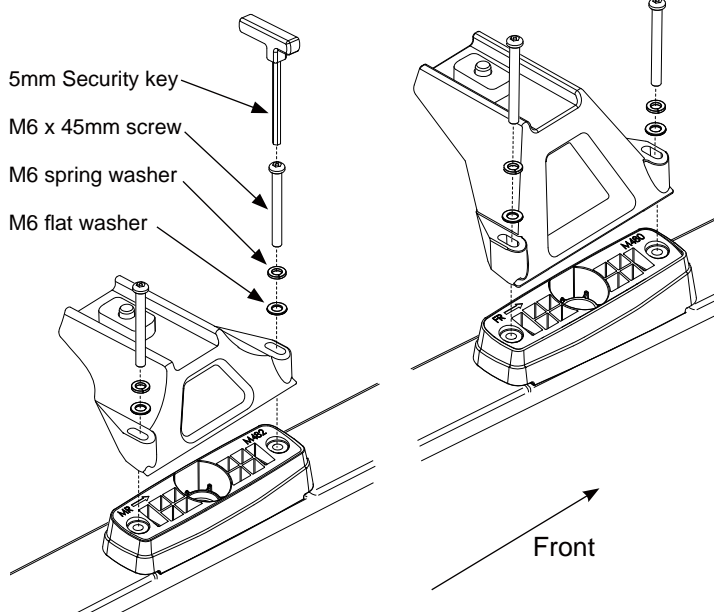


Cross bar rubber.

Insert cross bar rubber buffer strip into the top of the cross bar.



5

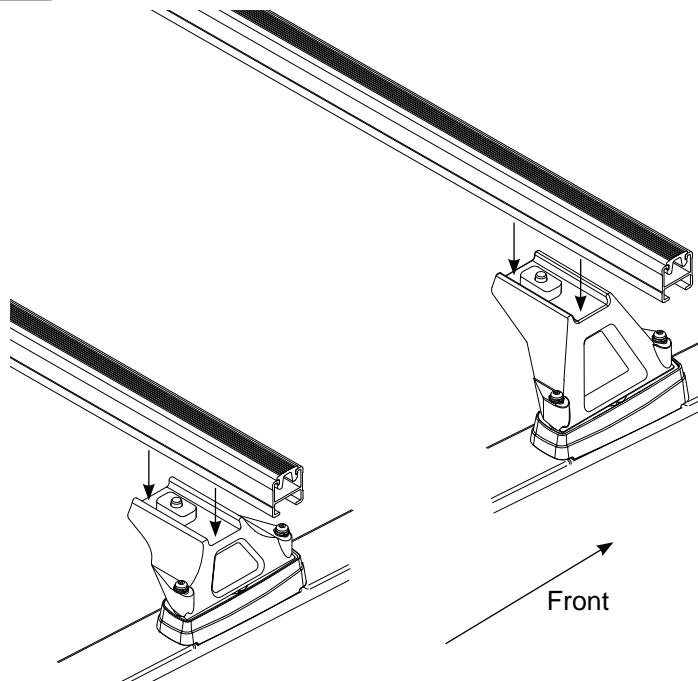


Attach legs.

Attach the two tall legs to the front pads (FR, FL) and the short legs to the MR, ML pads. Insert M6 screw and washer assemblies as shown in diagram at left.

Do not fully tighten the legs at this stage.

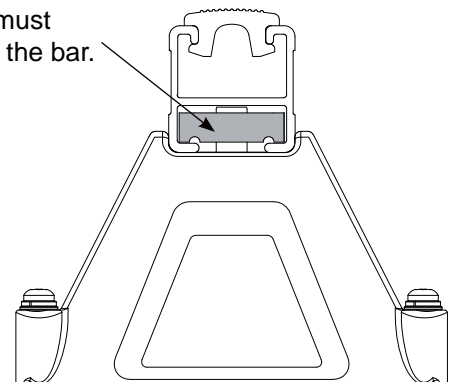
6



Fit cross bars.

Place cross bars onto the legs. Make sure the channel nut locates across the bar as shown below. Lightly finger tighten the M10 bolt to allow the cross bar to slide for adjustment.

Channel nut must locate across the bar.

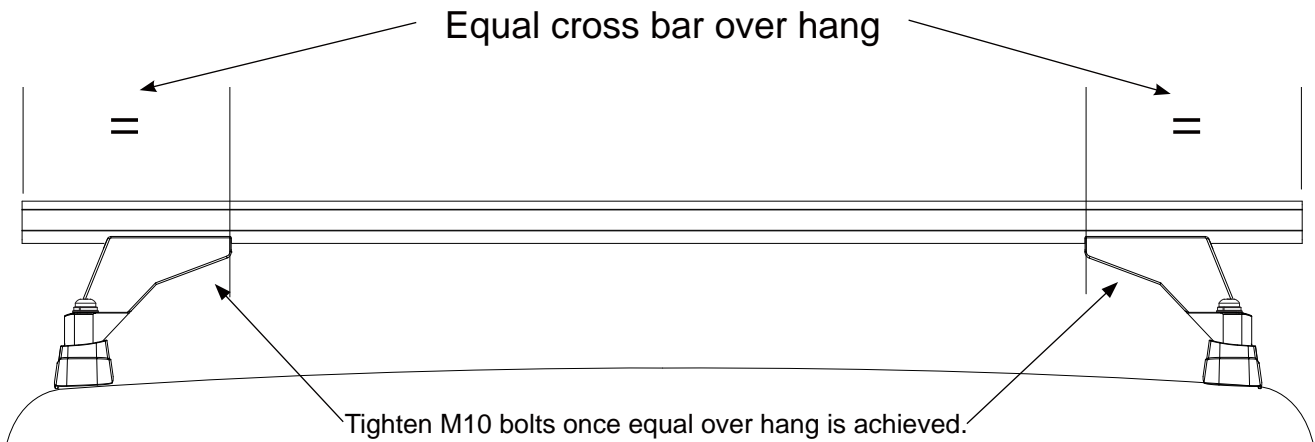




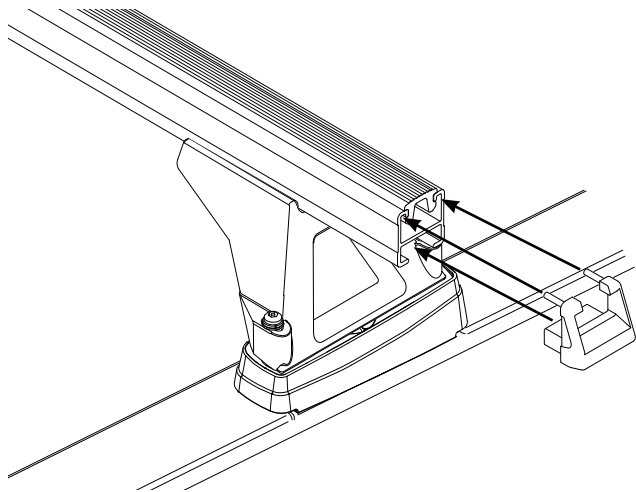
RLZ01 - Ford Transit Connect

7 Cross bar over hang.

Use a tape measure to obtain equal cross bar over hang. Tighten each M6 x 45mm leg screw to 3-4 Nm (2-3 ft lb). Tighten the M10 x 20mm cross bar bolts to 15-17 Nm (11-13 ft lb).



8



Fit end caps.

Trim the rubber buffer strip with a utility knife if it extends past the end of the cross bar.

Fit the end caps to the cross bars. A rubber mallet may be needed to knock them in.

9

