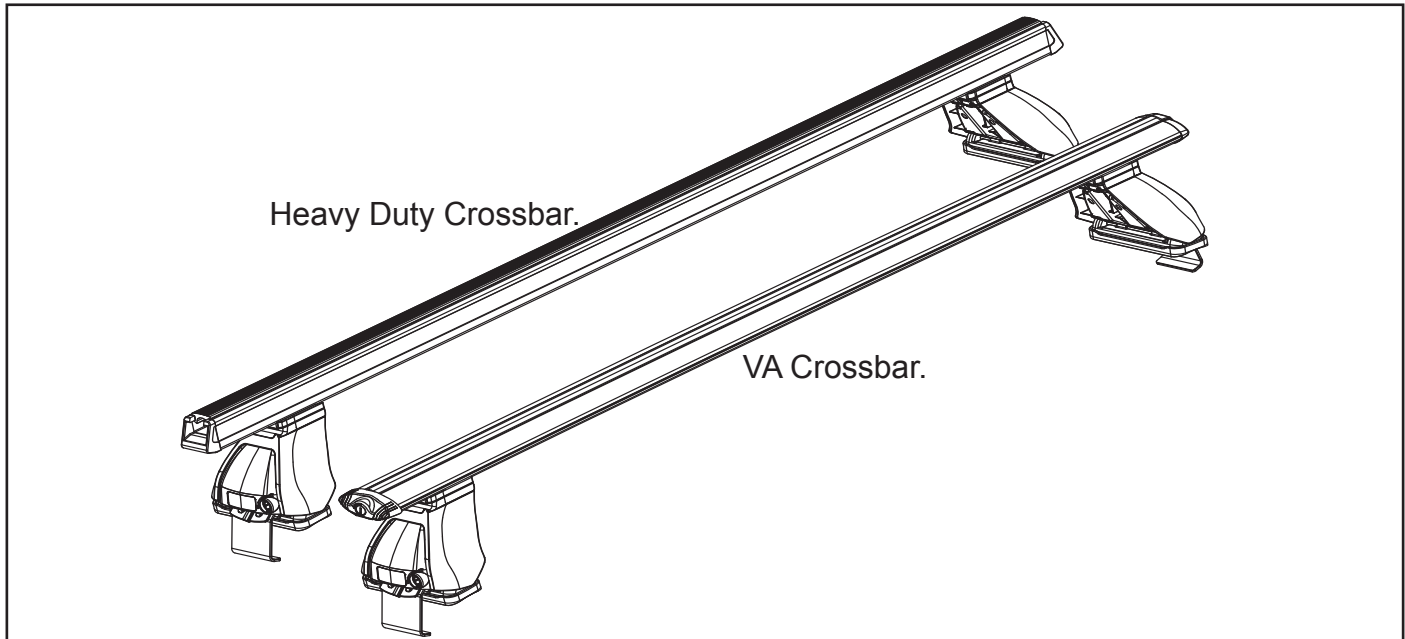




RHINO-RACK

2500 RLKS.

Important: Please read these instructions carefully prior to installation.
Please refer to your fitting instruction to ensure that the roof racks are installed in the correct locations.
Check the contents of kit before commencing fitment and report any discrepancies.
Place these instructions in the vehicle's glove box after installation is complete.



Care Instruction: Wash vehicle roof. Ensure roof is clean prior to installation.

Important Information

Product is rated to a carrying capacity of 25kg. To be used as a support bar for long loads only. Please refer to your vehicle manufacturers handbook for maximum roof loading.

Recommendations:

It is essential that all bolt connections be checked after driving a short distance when gutter mount legs and cross bars are first installed. Bolt connections should be checked again at regular intervals (probably once a week is enough, depending on road conditions, usage, loads and distances travelled). You should also check the cross bars each time they are re-fitted. Make sure to fasten your load securely. Ensure all loads are evenly distributed and that the centre of gravity is kept as low as possible.

Use only non-stretch fastening ropes or straps.

Sensitivity to cross winds, behaviour in curves and braking.

The handling characteristics of the vehicle, changes when you transport a load on the roof. For safety reasons, we recommend you exercise extreme care when transporting wind-resisting loads; special consideration must be taken into account when braking.

Please remove cross bars & legs when putting vehicle through an automatic car wash.

Load ratings:

Maximum permissible load is 25kg (include the weight of the cross bar and legs, 5kg). When cross bars are to be used in off-road conditions, please build a safety factor of 1.5 into this load limit - 17kg for off-road use. Although the cross bars are tested and approved to AS1235-2000, Australian road conditions can be much more rigorous. However, increasing the number of cross bars does not increase the vehicles maximum permissible roof loading.

Note for Dealers and Fitters:

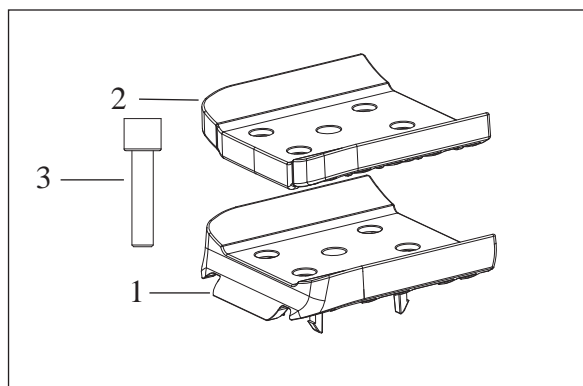
It is your responsibility to ensure instructions are given to the end user or client.



2500 RLKS.

Parts List

Parts List.			
Kit Name	Item	Component name.	Qty
RLKS1	1	Leg Height Adaptor	2
	3	M6 x 30 Socket Screw	2
RLKS2	1	Leg Height Adaptor	2
	2	Leg Height Spacer.	2
	3	M6 x 40 Socket Screw	2
RLKS3	1	Leg Height Adaptor	2
	2	Leg Height Spacer.	4
	3	M6 x 45 Socket Screw	2
RLKS4	1	Leg Height Adaptor	2
	2	Leg Height Spacer.	6
	3	M6 x 55 Socket Screw	2
RLKS5	1	Leg Height Adaptor	2
	2	Leg Height Spacer.	8
	3	M6 x 65 Socket Screw	2

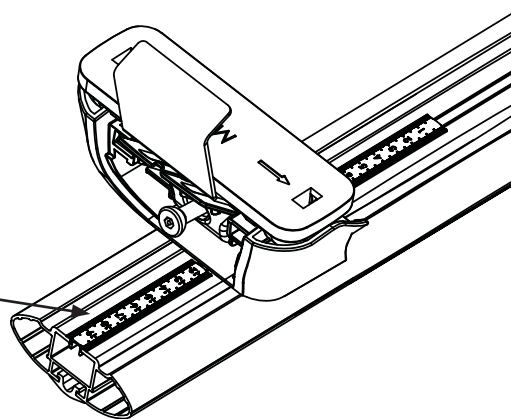


Tools required are provided with the Roof Rack kit.

NOTE: Assemble the crossbar or crossbars and fit to the vehicle as shown in the fitting instructions for the crossbars specified for your vehicle. This must done first to calculate the number of spacers required to achieve the alignment with the pre-fitted crossbars.

Aero crossbar only.

Do not cut the outer measuring strips when check fitting the Vortex type crossbars for alignment, this is done when the crossbar is finally fitted.



1 Measure height.

Place a long straight edge on canopy bars. Slide forward to obtain a measurement 'D' between underside of the straight edge and top of the cross bar.

Measurement 'D' is the adaptor and spacers which are assembled onto the leg to achieve alignment with the pre-fitted crossbars.

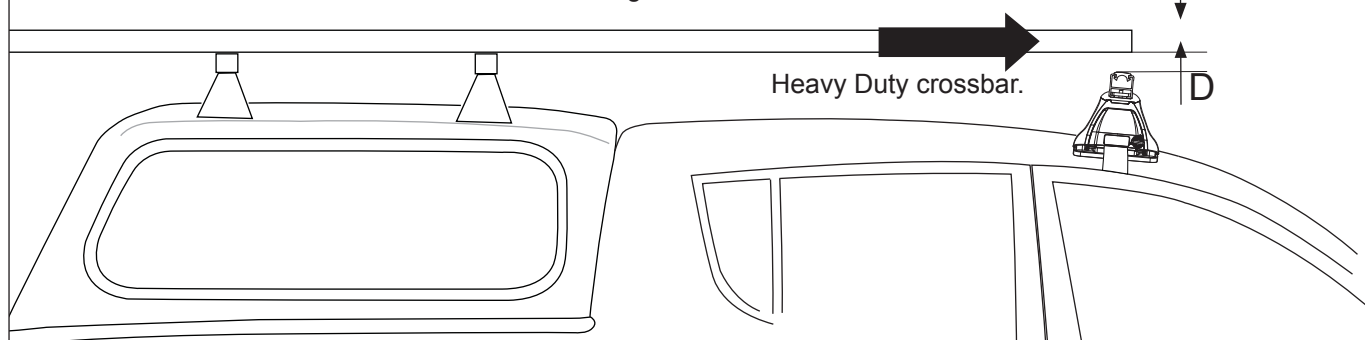
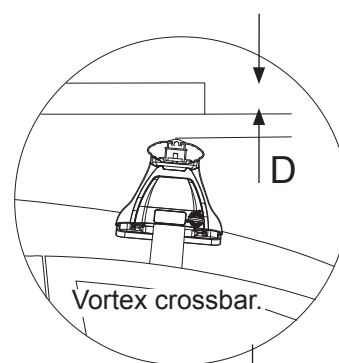
Heavy Duty crossbar only.

For the "D" measurement subtract 5mm when calculating the adaptor and spacers.

The number of spacers fitted should be to the nearest half spacer size (4mm).

The adaptor height is 10mm. The spacer height is 8mm

The crossbar rubber must be fitted when determining the 'D' measurement.





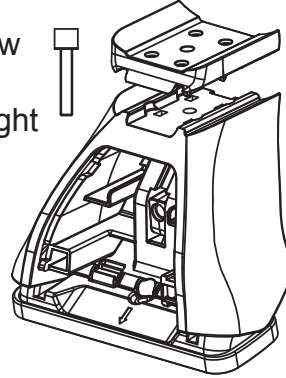
2500 RLKS.

2 Selection of spacers.

When fitting the leg height spacers the adaptor is fitted first then the spacers.

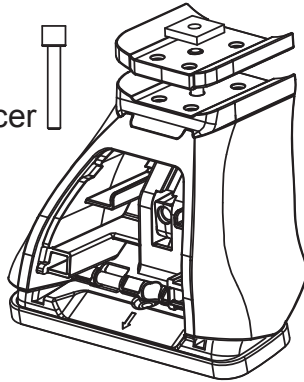
RLKS1.

M6 x 32mm
Socket screw
(B047).
Adaptor height
10mm.



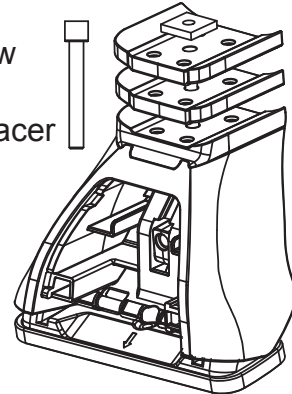
RLKS2.

M6 x 40mm
Security screw
(B033).
Adaptor & spacer
height 18mm.



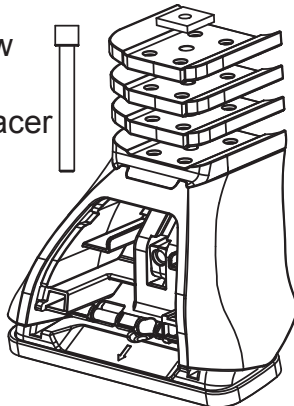
RLKS3.

M6 x 45mm
Security screw
(B038).
Adaptor & spacer
height 26mm.



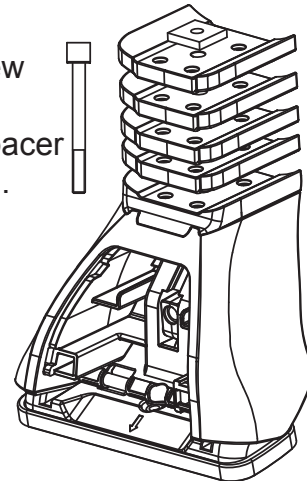
RLKS4.

M6 x 55mm
Security screw
(B223).
Adaptor & spacer
height 34mm



RLKS5.

M6 x 60mm
Security screw
(B122).
Adaptor & spacer
height 42mm.



Note

RLKS5 is the maximum height.

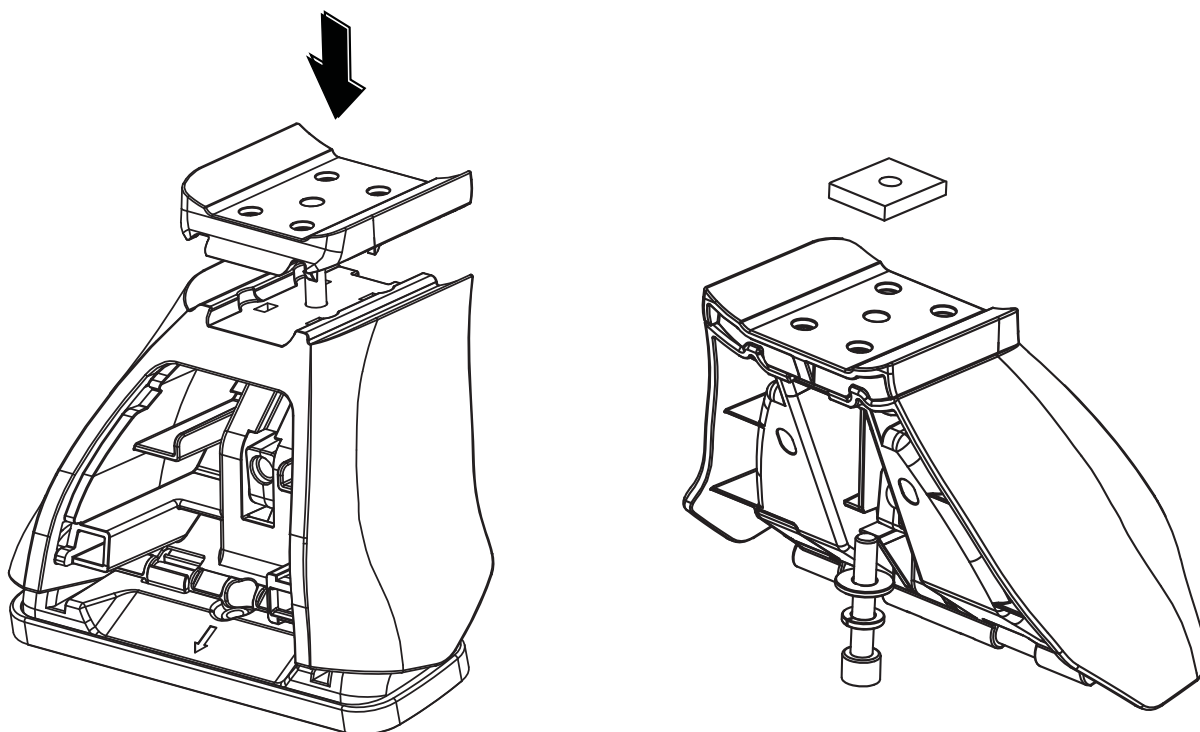
If higher crossbar is required use the HD-FK9.



2500 RLKS.

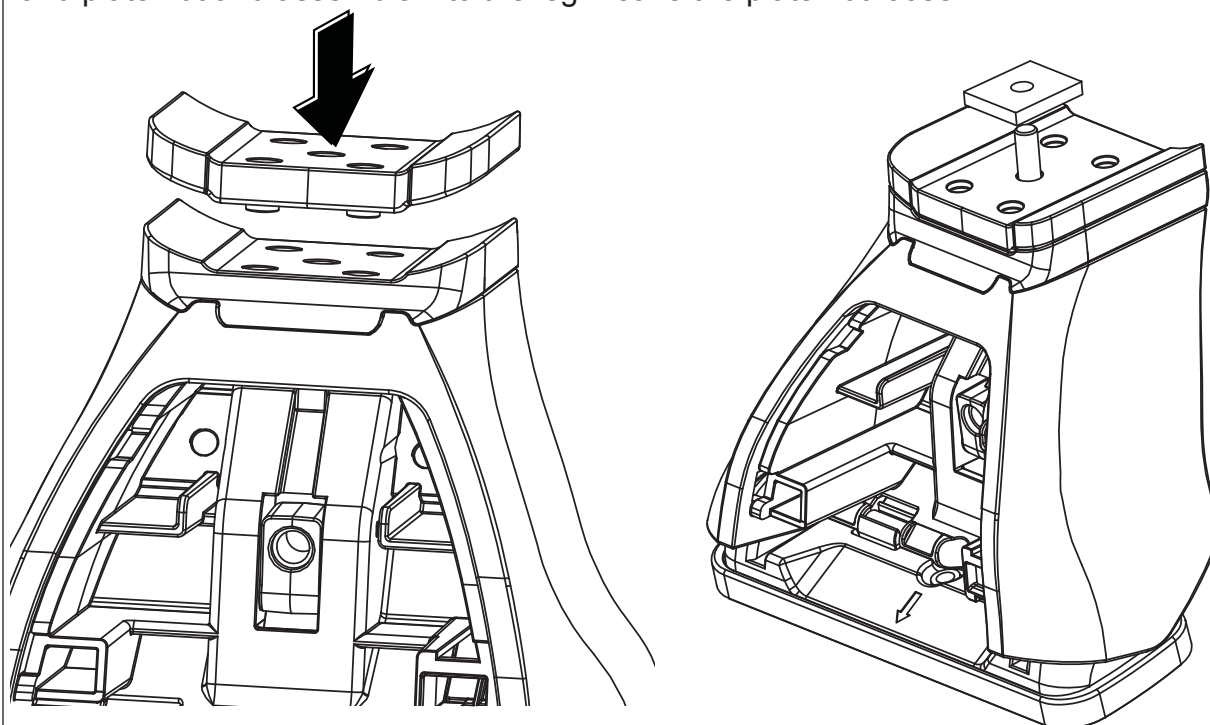
3 Fitting the leg height spacer adaptor only.

When fitting the adaptor and spacers remove the clamps and legs from the crossbars. Insert the leg height adaptor (4) legs into the square holes and snap the adaptor in place. If fitting the adaptor only use the specified length screw, spring washer, flat washer and plate nut and assemble into the leg. Leave the plate nut loose.



4 Fitting the leg height spacers.

Insert the four pins in the spacer. Use the specified length screw, spring washer, flat washer and plate nut and assemble into the leg. Leave the plate nut loose.





2500 RLKS.

5 Set heavy duty crossbar legs to correct distance apart.

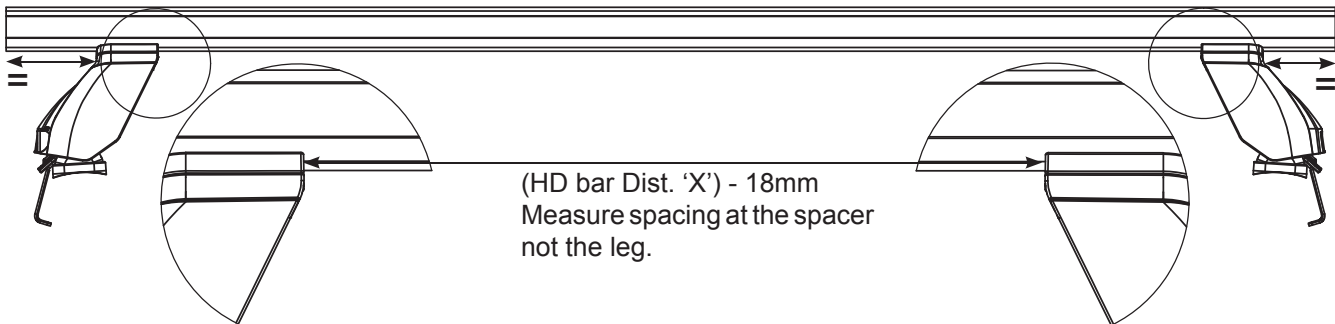
Assemble the legs to the cross bar using the specified length screw, flat and spring washers and channel nut assemblies per leg. Use enough tension to hold the cross bar securely. No need to fully tighten at this stage.

- a. Because of the leg height spacer attachments, the distance marked 'X' on your DK specification sheet page 1 has changed. Subtract **18mm** from nominated vehicle description (*HD bar Dist. 'X'*) for correct measurement.
- b. While setting distance 'X' also make sure the cross bar overhang is equal both sides.

DK supplement sheet reference:

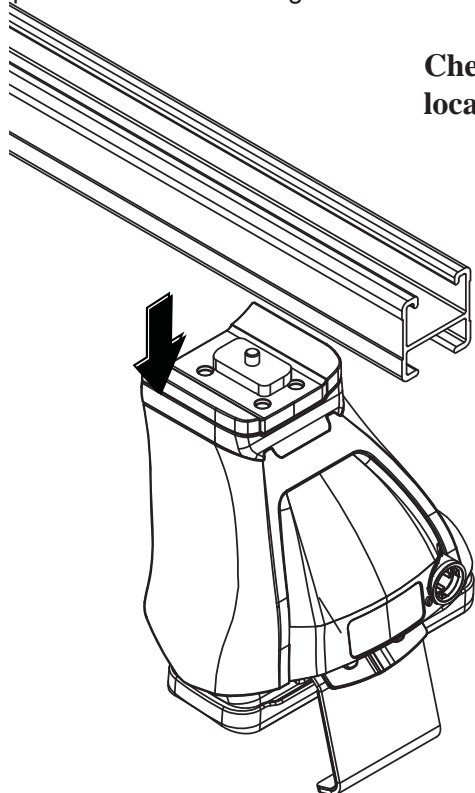
Refer to page 1 of the DK specification sheet provided for information regarding **HD bar "X"** distance.

FRONT Cross Bar									HD bar Dist. 'X'
VEHICLE	Build Date	FRONT BAR	Pad OSF	Pad NSF	Clamp OSF	Clamp NSF	Foot Plate Arrow Dir.	Measurement Strip length	
Sample Vehicle	2005 on	1180mm	M415	M415	SUB0172	SUB0172	OUT	108mm	--- mm

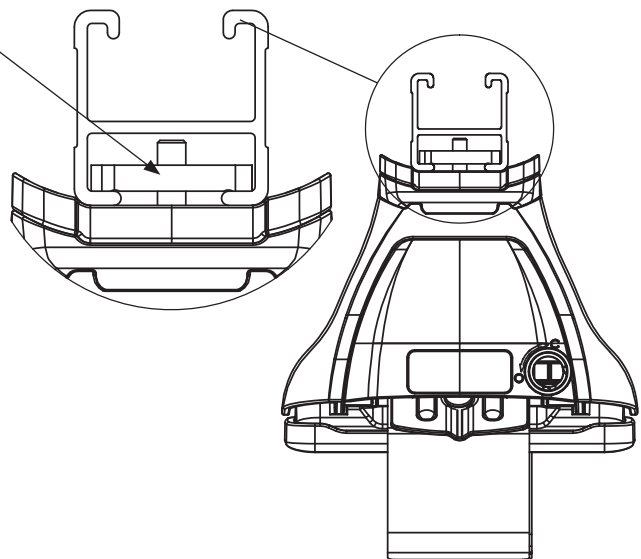


Fitting the legs to the crossbar.

Check that the channel nuts are fully locate across the cross bar when tight. Check the channel nuts on both legs. Tighten the attachment screws to 3 - 4N/m with the Allen key provided. Do not over tighten..



Check that the channel nut is full located across the crossbar.



**Heavy Duty crossbar fitment only:-
From this point on refer to the fitting instruction that came with your Roof Racks.**



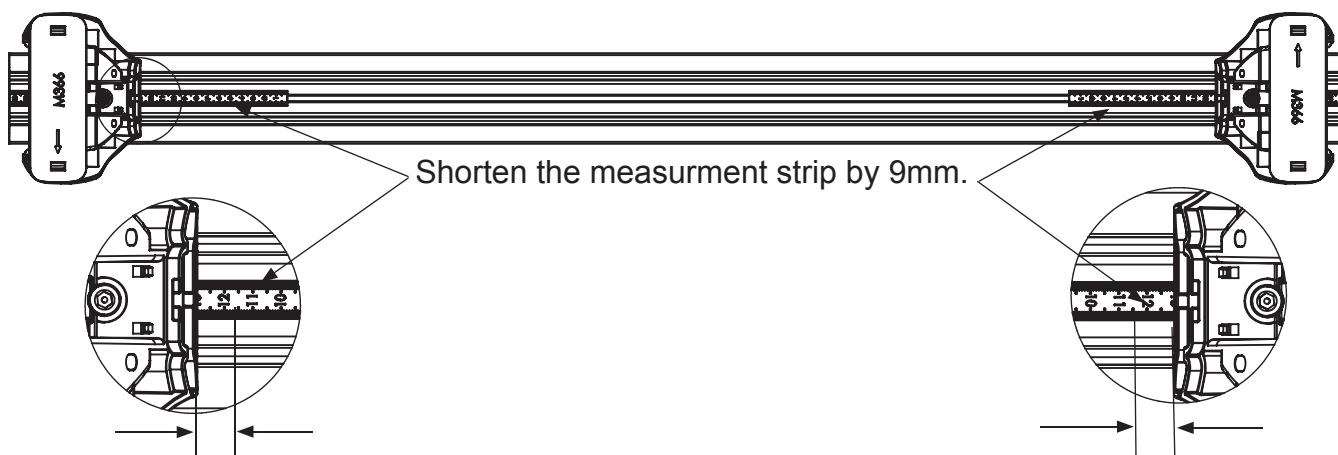
2500 RLKS.

Aero crossbar fitment only.

6

Because of the leg height spacer attachments, the length of the measurement strip on your DK specification sheet page 1 has changed. Subtract **9mm** from each strip for the nominated vehicle description (*measurement strip length*) for the correct leg position.

FRONT Cross Bar								Measurement Strip length	HD bar Dist. 'X'
VEHICLE	Build Date	FRONT BAR	Pad OSF	Pad NSF	Clamp OSF	Clamp NSF	Foot Plate Arrow Dir.		
Sample Vehicle	2005 on	1180mm	M415	M415	SUB0172	SUB0172	OUT	XXXmm	--- mm



7

Assemble the specified length screw, flat and spring washer and plate nut onto the leg. Turn the crossbar over and clip the bar measurement strip into the cut out, ensure the end of the strip is against the end of the cut out. Slide the assembled leg so it butts up against the end of the bar measurement strip. Tighten the attachment screws to 3-4Nm with the Allen key provided, Do not over tighten. **From this point on refer to the fitting instruction that came with your roof racks.**

