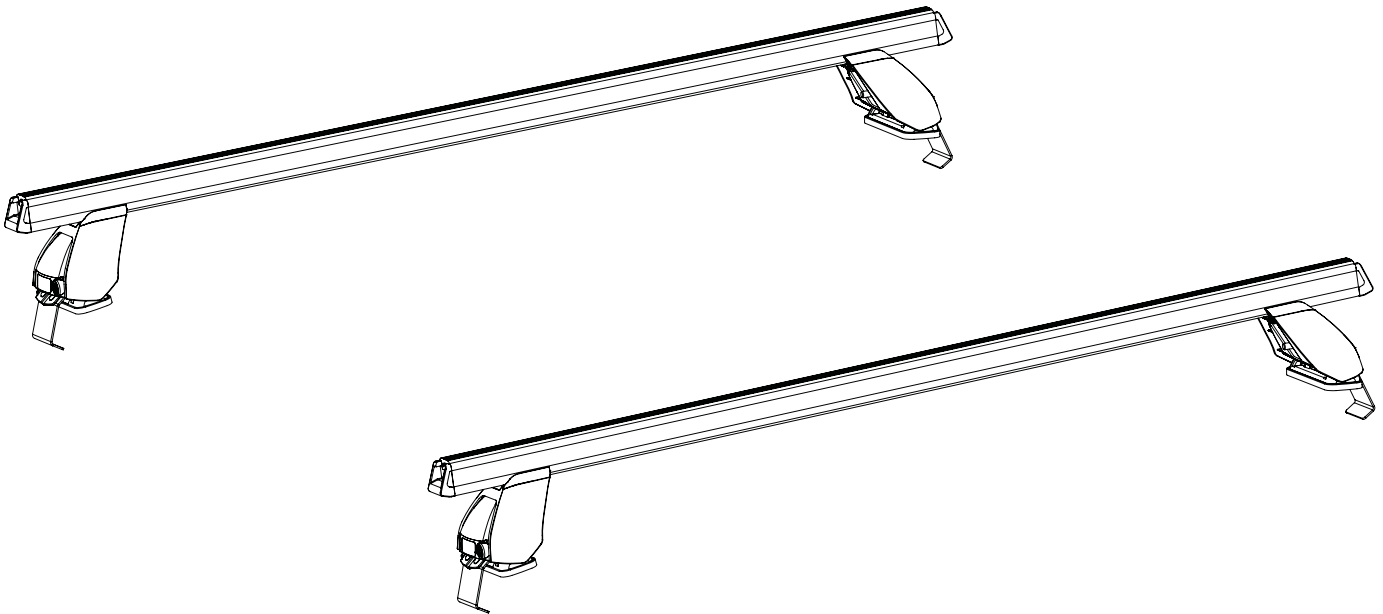




RHINO-RACK

Rhino 2500 Series - Two Bar Heavy Duty System.

- Important:**
- 1. Please refer to your fitting instruction to ensure that the roof racks are installed in the correct locations.
 - 2. Check the contents of kit before commencing fitment and report any discrepancies.
 - 3. Place these instructions in the vehicle's glove box after installation is complete.
 - 4. This kit also requires the DK fitting instructions
 - 5. These instructions must be followed for warranty to be upheld.



Maximum carrying capacity: 75kg (165lbs) evenly distributed over crossbars. Please refer to your vehicle manufacturers handbook and DK Specification sheet for maximum roof loading. Always use the lower of the two figures.

Advisory:

It is essential that all bolt connections be checked after 48hrs from when you first install your crossbars. Bolt connections should be checked again at regular intervals (once a week is enough, depending on road conditions, usage, loads and distances travelled). You should also check the crossbars each time they are refitted. Make sure to fasten your load securely (see page 2 for advisory diagrams). Please ensure that all loads are evenly distributed and that the centre of gravity is kept as low as possible.

Use only non-stretch fastening ropes or straps.

Load Ratings

When these roof racks are to be used on a vehicle that is driven off sealed roads, the manufacturer maximum roof load rating (to be found in the vehicle's User Manual) should be divided by a safety factor of **2**. For example, if the vehicle's maximum roof load rating is 75kgs\165lbs, these racks, when fitted to this vehicle should have no more than 37.5kgs/82lbs loaded on them.

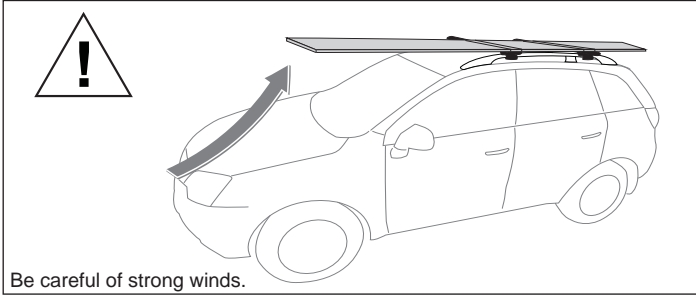
Caution:

The handling characteristics of the vehicle changes when you transport a load on the roof. For safety reasons we recommend you exercise extreme care when transporting wind-resistant loads. Special consideration must be taken into account when cornering and braking. **Please remove crossbars when putting vehicle through an automatic car wash.**

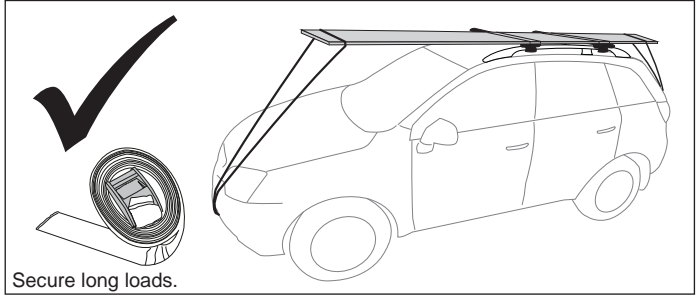
Note for Dealers and Fitters:It is your responsibility to ensure instructions are given to the end user or client.



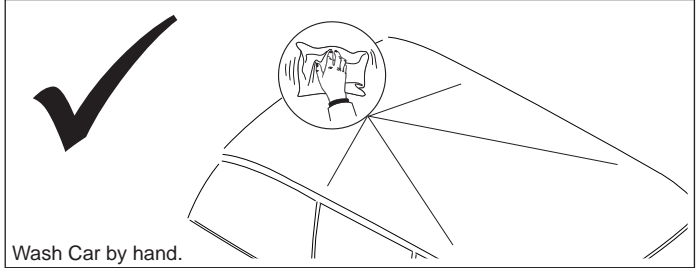
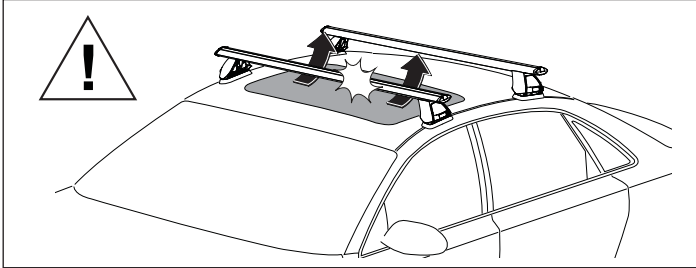
Rhino 2500 Series - Two Bar Heavy Duty System



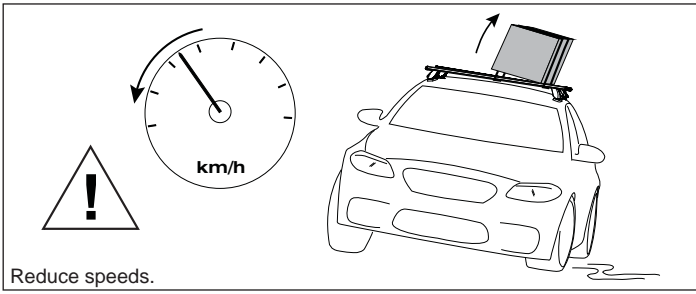
Be careful of strong winds.



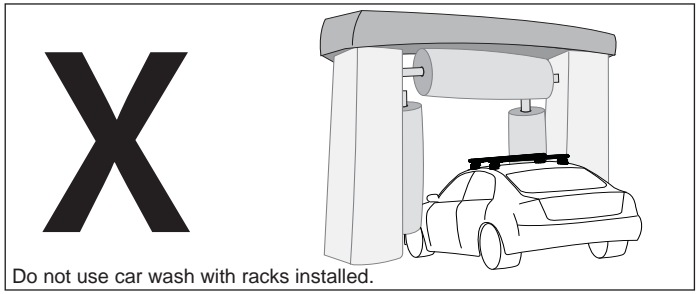
Secure long loads.



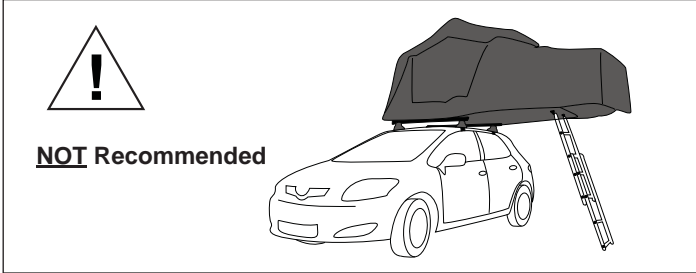
Wash Car by hand.



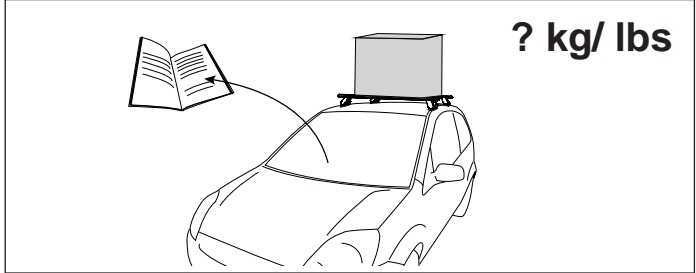
Reduce speeds.



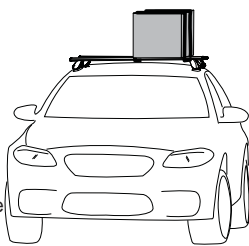
Do not use car wash with racks installed.



NOT Recommended

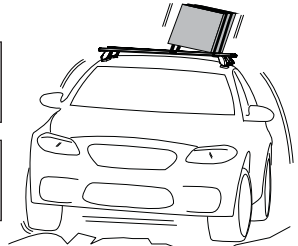


When these roof racks are to be used on a vehicle that is driven off sealed roads, the manufacturer maximum roof load rating (to be found in the vehicles User Manual) should be **divided by 2**. Do not forget to subtract 5kg/11lbs from your maximum carrying capacity due to the weight of the crossbars and legs.



75kg load rating (Urban road) = **37.5kg load rating** (Off road = 70kg / 2)

165lbs load rating (Urban road) = **82lbs load rating** (Off road = 165lbs / 2)



WARNING! Important Load Carrying Instructions

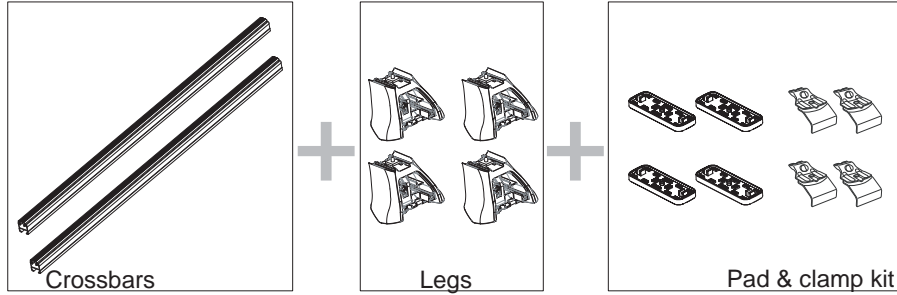
With utility vehicles, the cabin and the canopy move independently. Roof racks and vehicle can be damaged if the item transported is rigidly fixed at points on both the cabin and canopy. Instead, rigidly fix to either the cabin roof racks or the canopy roof racks.

Paddle/ Surfboards should be fixed to the front of the vehicle.

YES

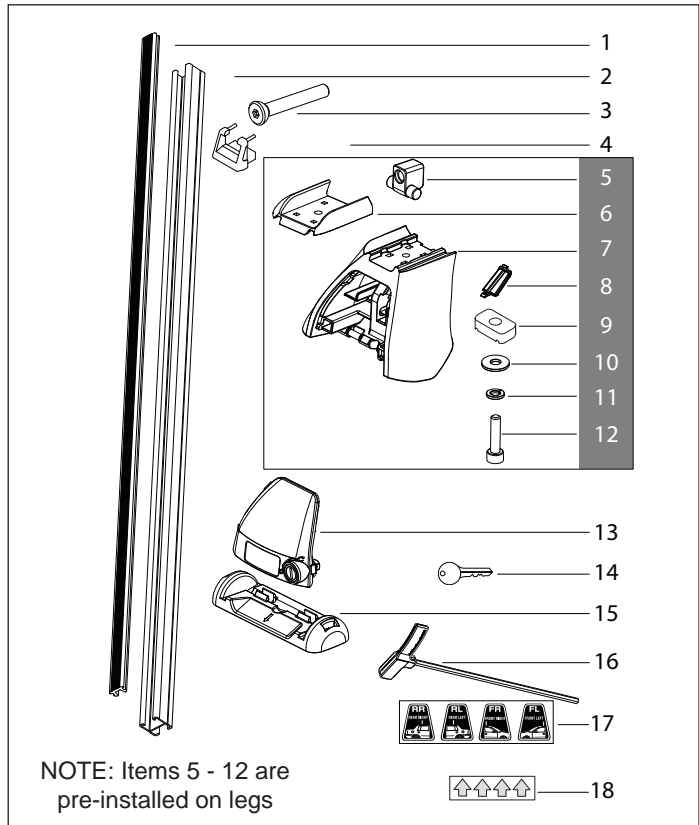


Rhino 2500 Series - Two Bar Heavy Duty System



Parts List

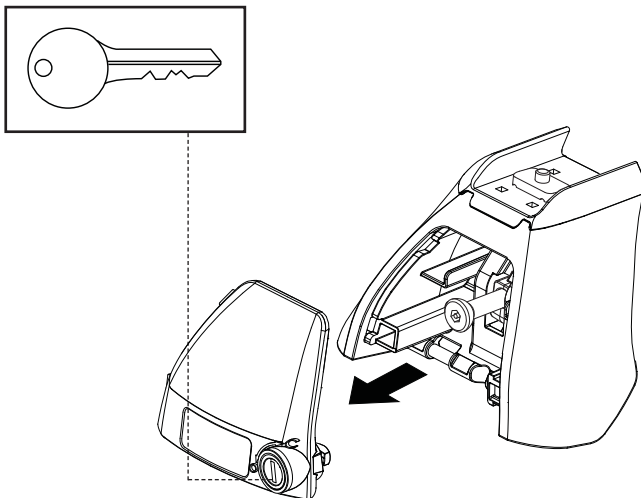
Item	Component Name	Qty	Part No.
1	Rubber Buffer Strip	2	-
2	HD Crossbar	2	-
3	M8 x 50mm Security Bolt	4	B154
4	End Cap	4	M002
5	M8 Pivot Nut	4	N047
6	HD Crossbar Adaptor	4	M315
7	Leg	4	M310
8	Leg Cover Plate	4	M324
9	M6 Nut	4	N002
10	M6 Flat Washer	4	W031
11	M6 Spring Washer	4	W004
12	M6 x 25mm Socket Screw	4	B039
13	Front Cover	4	M312
14	Front Cover Key	2	M314
15	Foot Plate	4	M311
16	Torque Key	1	Torkey-L
17	Location Decals	4	S365
18	Positioning Decals	4	S364
19	Fitting Instructions	1	RR244



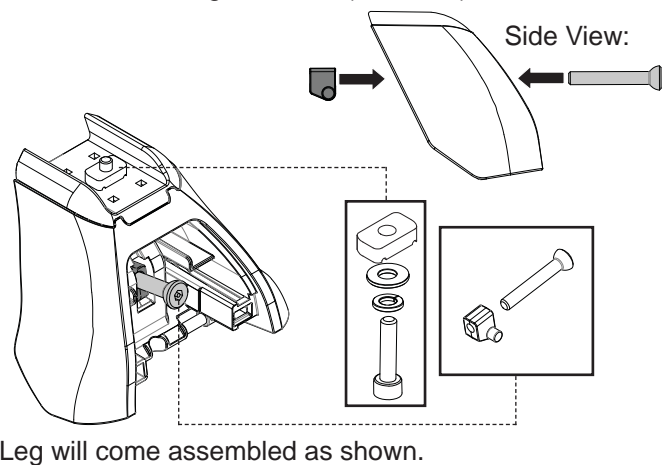
Tools Required: Security Allen key, provided in kit. Tape measure. Rubber mallet.

NOTE : Refer to the DK kit specification sheet for correct placement (*Front & Rear, Left & Right*) of the foot plate, rubber pad and metal strap. Also refer for sizes to cut the bar measurement strips.

- 1** Using the key provided, remove the Cover Plate from the Legs.



- 2** The 2500 Legs will come with hardware assembled, however if the Pivot Nut is not attached to the leg, install as shown with the angled face of the nut facing outwards (as below).



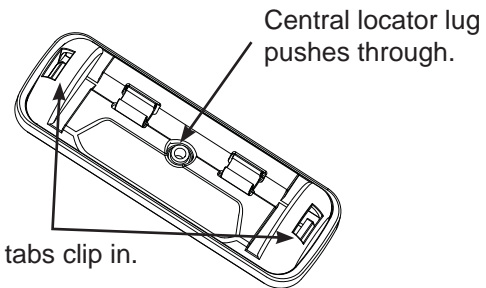
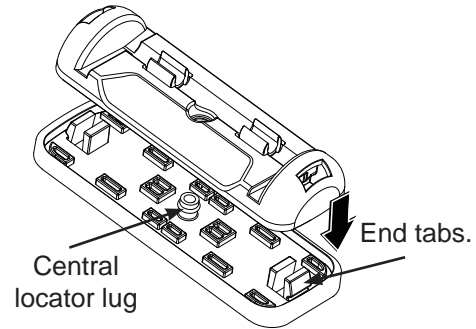
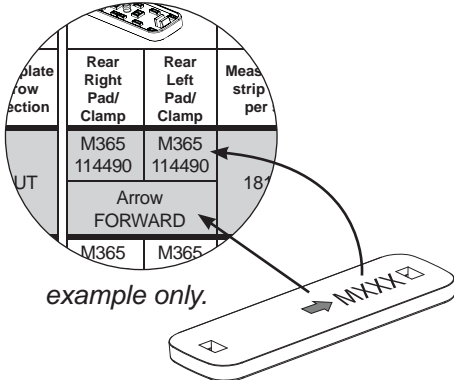


Rhino 2500 Series - Two Bar Heavy Duty System

3 Attach pad to foot plate.

Clip rubber pad onto foot plate. Pad central locator lug and end tabs must fully locate into the foot plate. Refer to DK Kit Specification Sheet for correct orientation under pad/clamp numbers.

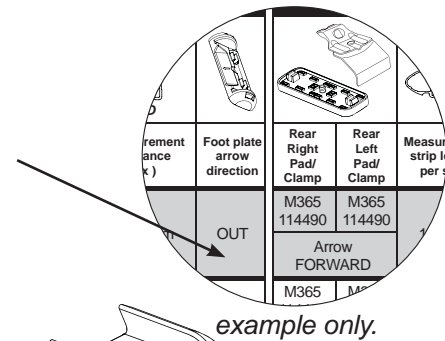
DK spec sheet.



Attach foot plate to leg.

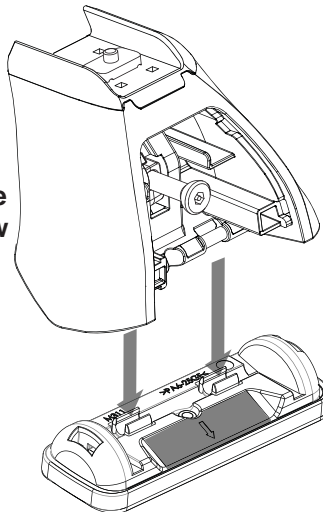
With the pad correctly fitted to the foot plate as per the DK spec sheet, clip the foot plate onto the base of the leg with the arrow facing **In or Out** according to your vehicle listed in the DK Kit specification sheet.

DK spec sheet.



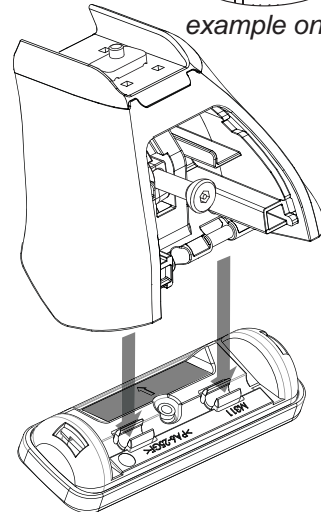
Example:

Attach foot plate to leg with arrow facing **OUT**

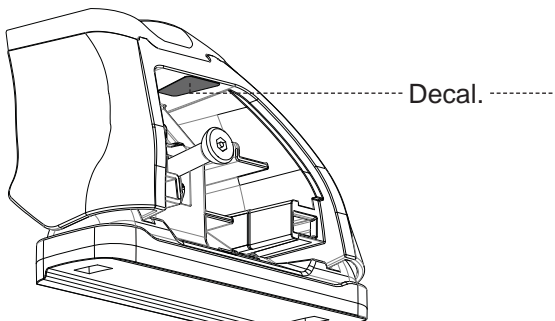


Example:

Attach foot plate to leg with arrow facing **IN**.
Note: Facing **IN** is for a small number of vehicles.

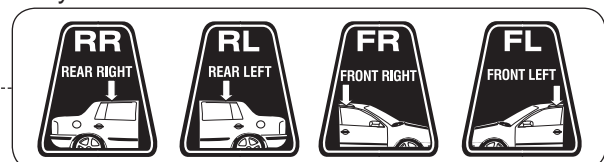


4



Leg location decals:

Stick the leg position labels inside the leg. The labels identify the position of the leg on the vehicle roof. Use as a guide when re-fitting the crossbars after removal. Refer layout below.





Rhino 2500 Series - Two Bar Heavy Duty System

5 Measurement between legs:

Accurately measure between the legs to set the correct distance. Refer to DK specification sheet for vehicle specific distance. Also set equal cross bar over hang. Tighten M6 security screw to **4-5 Nm (35-44 lbf.in)**

(X)

Equal over hang

DK spec sheet. *example only.*

Measure to edge of heavy duty cross bar adaptor.

6 Attach cross bar:

- Locate leg with channel nut into cross bar.
- Turn to locate the channel nut to sit across the bar.
- Tighten the Screw on the underside of the Leg to 4-5Nm.

a.

b. Channel nut must sit across the bar.

Front View:

c-1.

c-2.

c-3.

With Torque Key inserted, turn clockwise until handle straightens out as shown. This indicates 4-5 Nm. More pressure may be required in extreme climates.

7 Position roof racks:

- Place racks onto the vehicle roof.
- Refer to DK specification sheet for correct positioning of your roof racks.
- Measure forward from where the front and rear doors meet/close.
 - Measure back to set distance between crossbars, centre of front foot plate arrow to centre of rear foot plate arrow.
- A and B** measurements are to be in line with arrow in centre of foot plate.

DK spec sheet.

Front

Rear

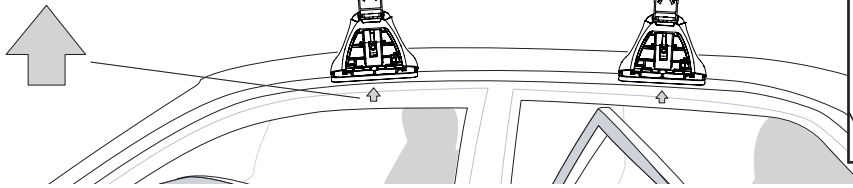
Arrow on foot plate.



Rhino 2500 Series - Two Bar Heavy Duty System

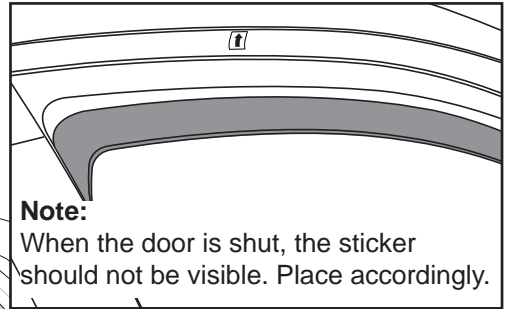
8 Positioning decals:

Stick the white arrow decals in line with foot plate arrows onto the body work inside the door jamb. This marks reference points for future use when racks are removed and then replaced.



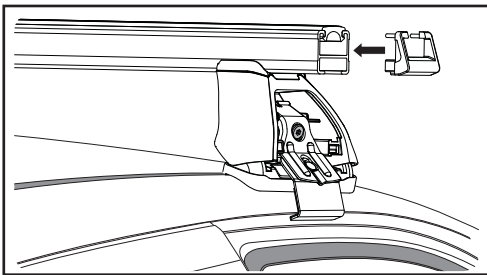
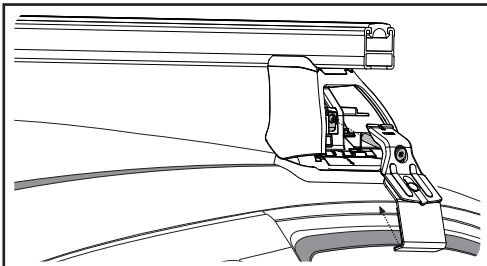
Note:

When the door is shut, the sticker should not be visible. Place accordingly.

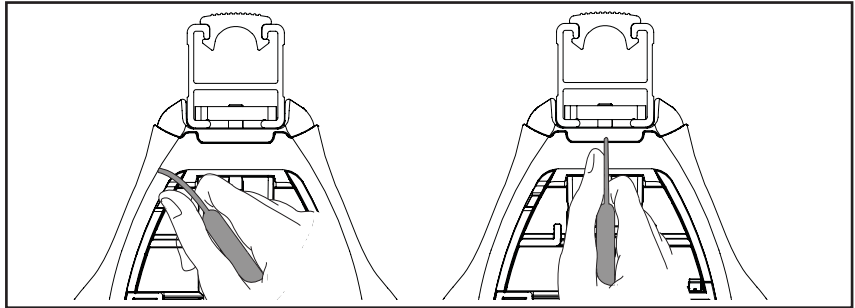


9 Attach clamps:

Hook the lower part of the metal clamp in at the top of the door jamb. Fasten M8 bolt to pivot nut. **Bolts must be tensioned evenly each side of the vehicle to avoid pulling the rack to one side. Tighten to 4-5 Nm (35-44 lbf.in).** **DO NOT OVER TIGHTEN.** Refer to DK instruction for correct clamp and pad combination for front and rear of vehicle.

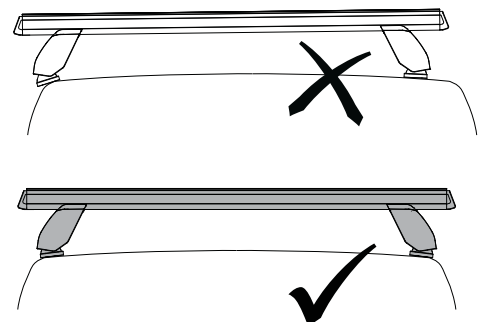
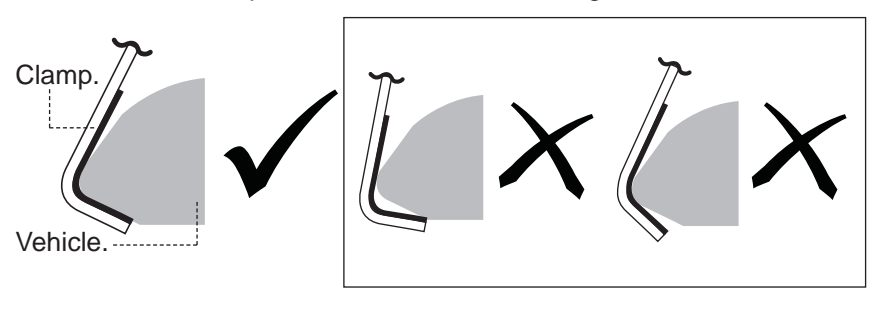


Check that the assembly is tight by shaking the crossbars vertically and horizontally



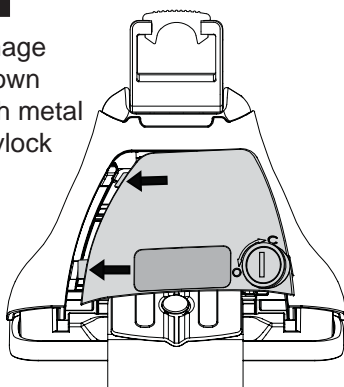
10 Visually inspect and ensure that the clamp is correctly seated against the body of the vehicle.

Side View: The clamp must have full contact along its face.

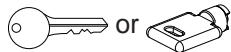


11

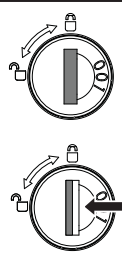
*image shown with metal keylock



Front cover key



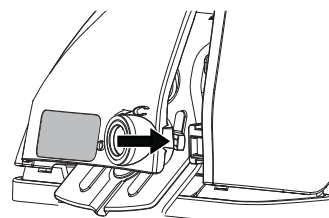
Locks use a slide window. The cover moves across the face of the barrel.



12

Insert the two lugs on left side of front cover into the leg. Use key provided to turn lock barrel to the open position (O). Engage locking tab into leg. Turn to close (C).

*image shown with plastic keylock



Open.



Closed.

