



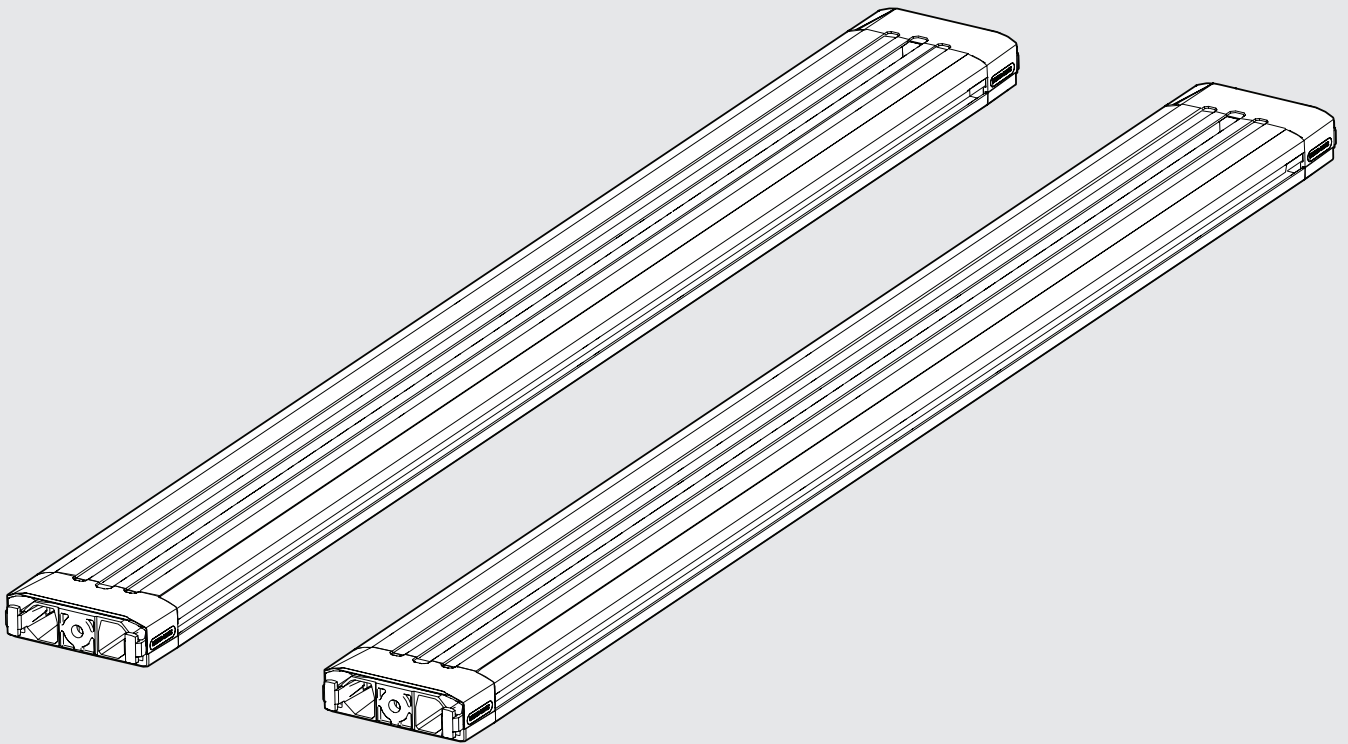
RHINO-RACK®

Reconn-Deck NS Bar Instructions RDNSB

Important:

1. Check the Rhino-Rack website to ensure you have the latest issue of these instructions.
2. Please refer to your fitting instruction to ensure that the roof racks are installed in the correct locations.
3. Check the contents of kit before commencing fitment and report any discrepancies.
4. Place these instructions in the vehicle's glove box after installation is complete.
5. These instructions must be followed for warranty to be upheld.

Fit Time: 30mins



RDNSB Instructions

Carrying Capacity

Max system load capacity:

Check your vehicle owners hand book for vehicle maximum carrying capacity. Please ensure you use the vehicle manufacturers maximum load allowance if it is lower than the figure listed in this instruction.

Load must be evenly distributed over the system.

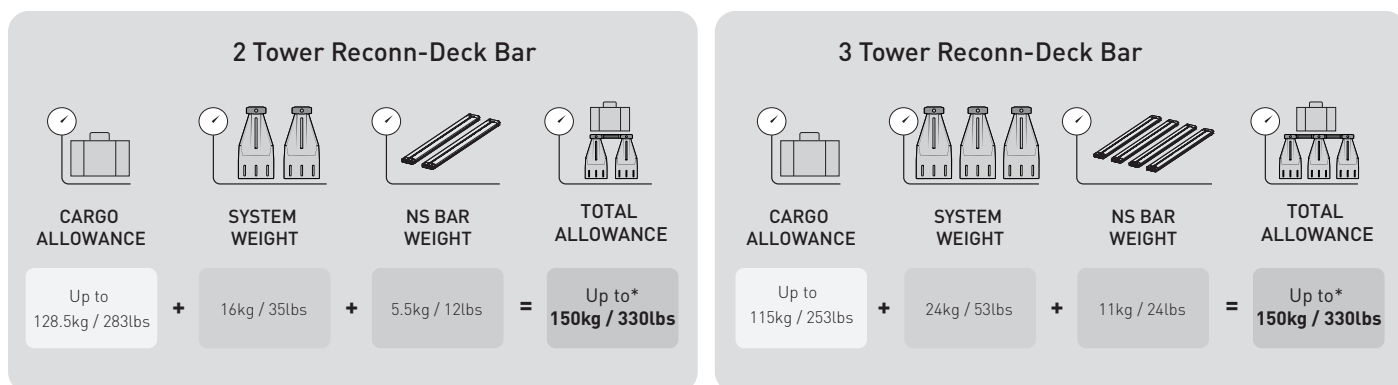


SYSTEM WEIGHT
(per bar)

2.8kg / 6lbs

Custom fit load rating guide:

If you are assembling a custom configuration, not tested by Rhino Rack, ensure you include the total system weight into the vehicle load limit/total allowance. Use the below as a guide to calculate the cargo allowance



* USE THE VEHICLE MANUFACTURER'S MAXIMUM LOAD ALLOWANCE IF IT IS LOWER THEN THE FIGURE LISTED, AND THEN RE-CALCULATE THE CARGO ALLOWANCE

Warning

- Check part number or kit is correct for use with your vehicle.
- Do not attempt to fit system to your vehicle unless you fully understand these fitting instructions. Please direct any questions regarding fitting to the dealer from where it was purchased from.
- Off-road conditions can be rigorous. Extreme care must be taken in off road conditions.
- Always ensure you fasten your load securely.
- Use only non-stretch fastening ropes or straps to attach cargo to your load.

In Service Maintenance Checks

- All bolted connections should be checked after driving a short distance after installation.
- All bolted connections should be checked again at regular intervals (every 1000k (621mi) is recommended, depending on road conditions, usage, loads and distances travelled). All bolted connections should also be checked each time they are re-fitted.

Torque Settings

Unless stated otherwise in these instructions, all fasteners should be set to the following torque settings -

M6: 4-5Nm (3-4lbs/ft),

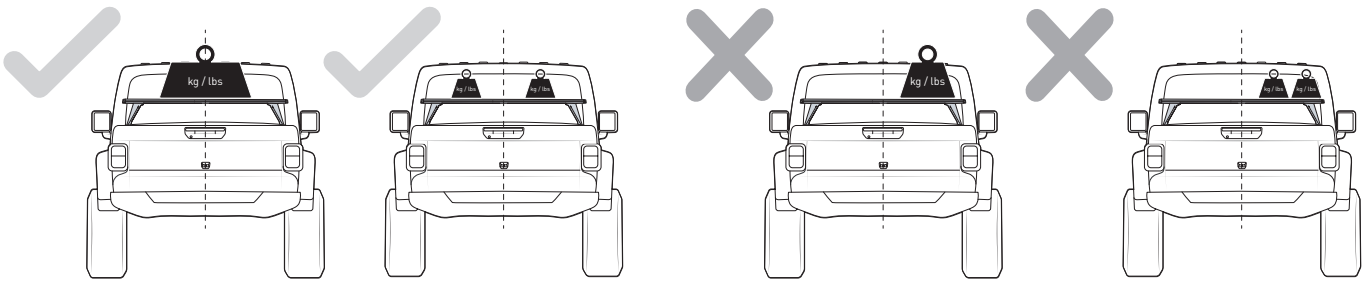
M8: 8-10Nm (6-7.5lbs/ft) and

M10: 16-18Nm (12-13lbs/ft).

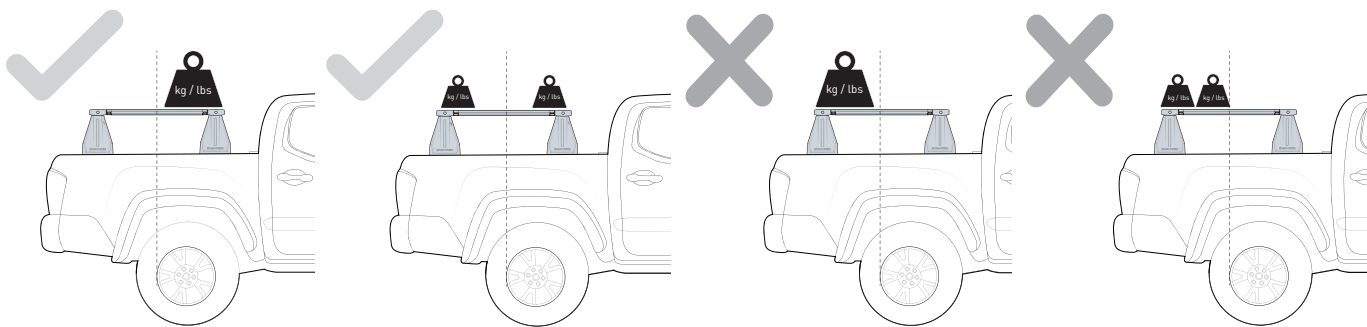
Note for Dealers and Fitters

It is your responsibility to ensure these fitting instructions are given to the end user or client. These instructions remain the property of Rhino-Rack Australia Pty. Ltd. and may not be used or changed for any other purpose than intended.

RDNSB Instructions

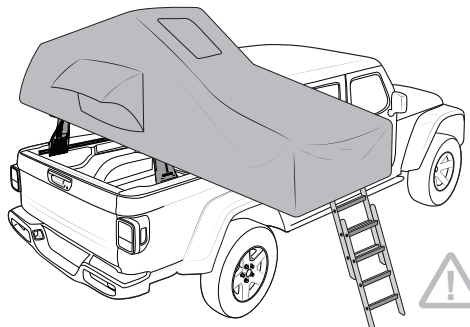
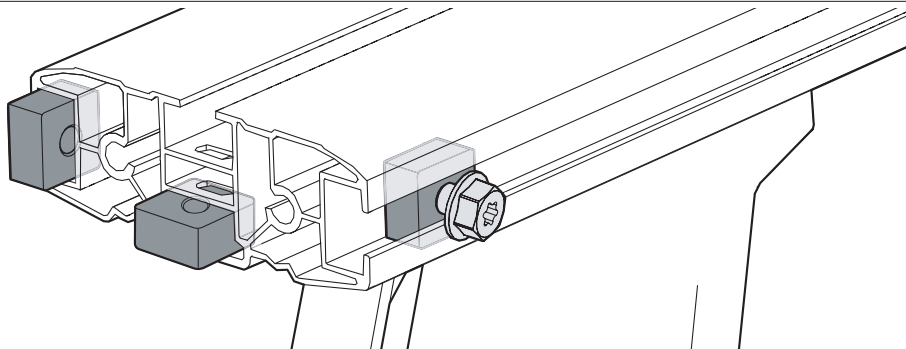


Avoid point loads concentrated in the centre span.
Distribute large loads over the span.

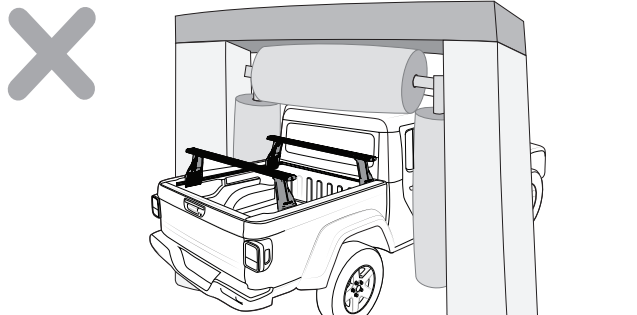
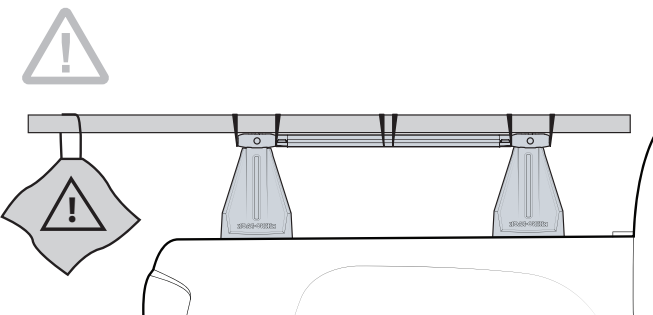
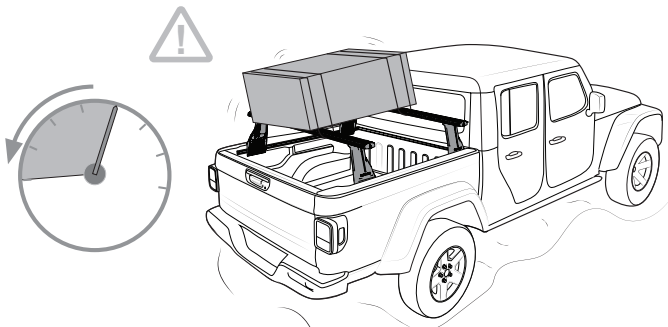


Avoid point loads concentrated in the centre span.
Distribute large loads over the span.

25kg maximum cantilevered load per channel.
i.e. load suspended from under & side channels



Ensure the ladder is well supported on the ground for the tent's stability. Take extreme caution when climbing heights above 1.2m/4ft.

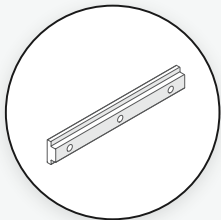


System Components

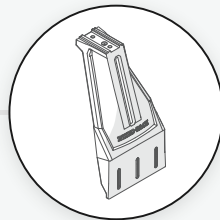
To complete the Reconn-Deck system you will need the base, leg & bar kits (accessories are recommended)

RECONN-DECK SYSTEM COMPONENTS

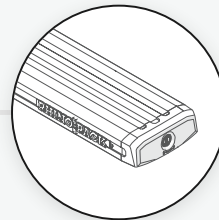
BASE



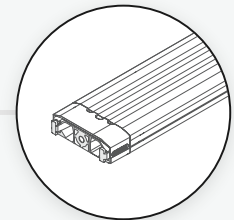
TOWER



BARS

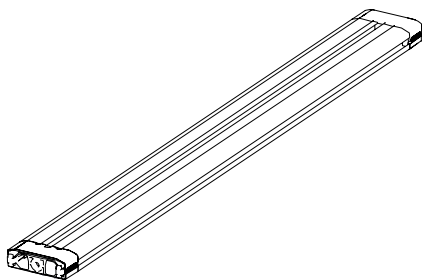


ACCESSORY



ACCESSORY Parts List

Reconn-Deck NS Bar Assembly



A x2

M8 x 20 Bolt (inside **A**)



B x4

M8 Channel Nut (inside **A**)



C x4

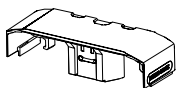
Instruction



D x1

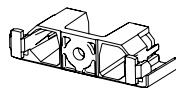
NOTE: Below components are preassembled in your kit.

Covers



E x4

Cross Connector



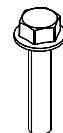
F x4

M6/M8 Spanner (inside **E**)



G x2

M8 Flanged Hex Head



H x8

Tools Required:

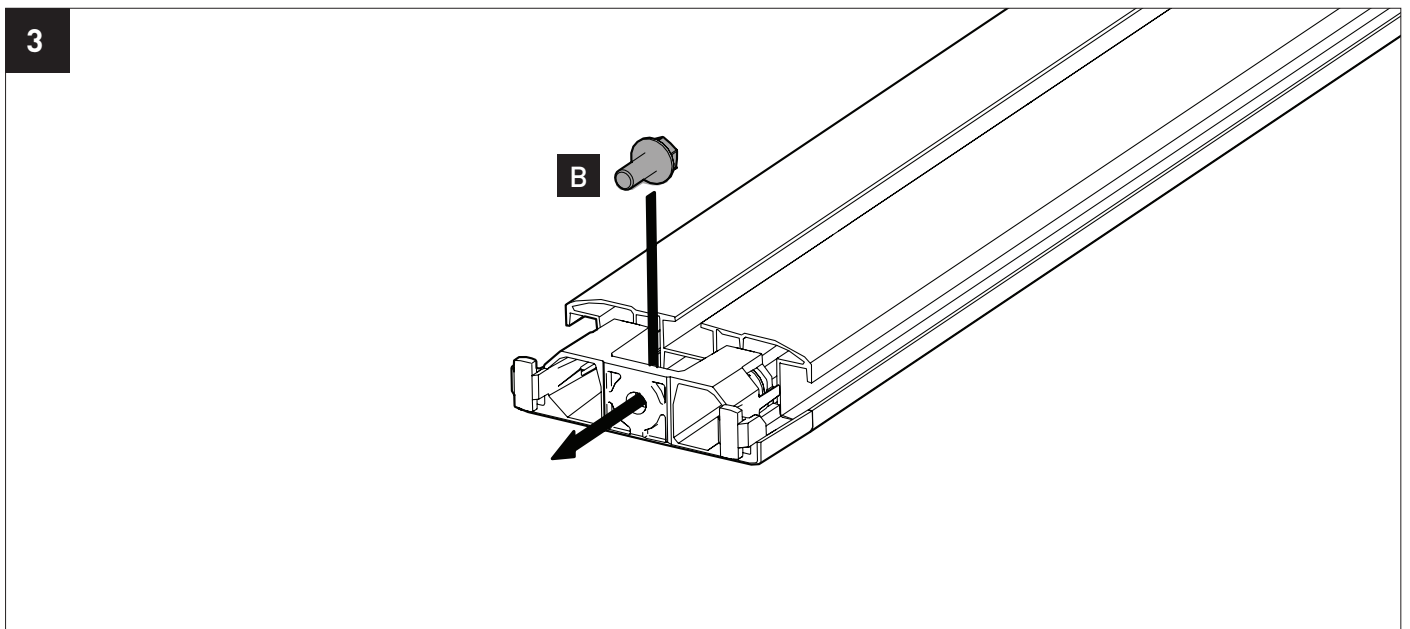
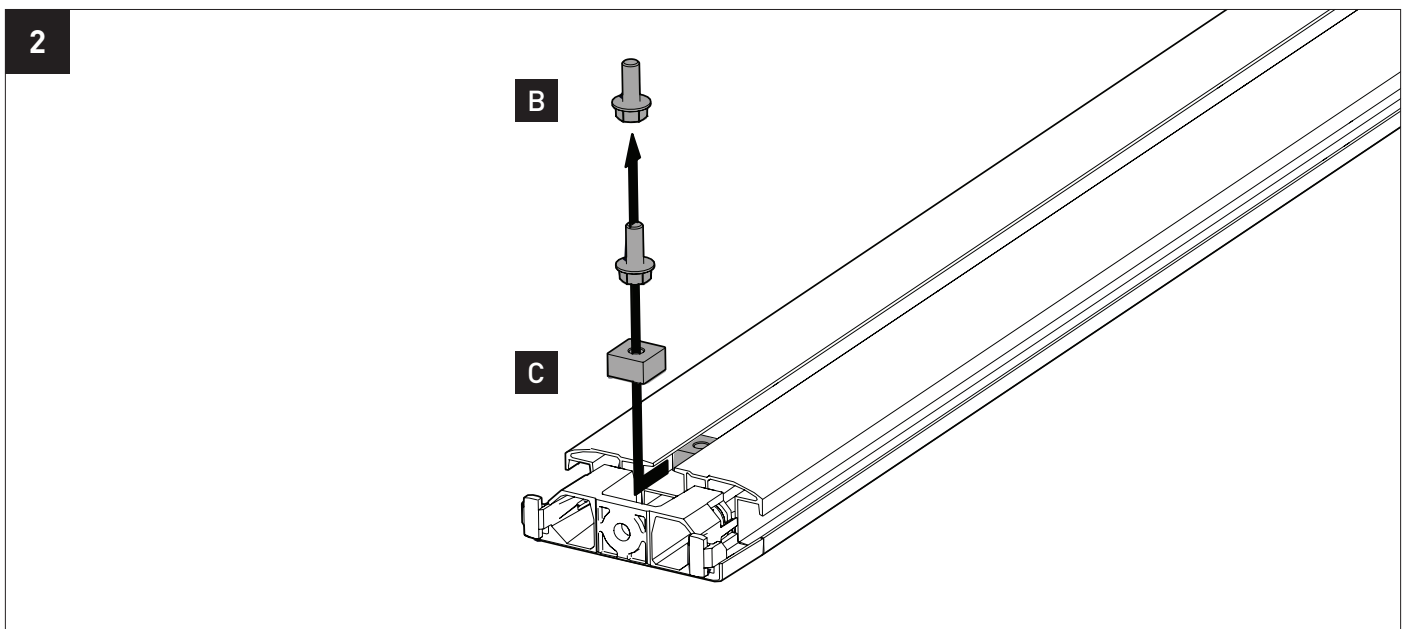
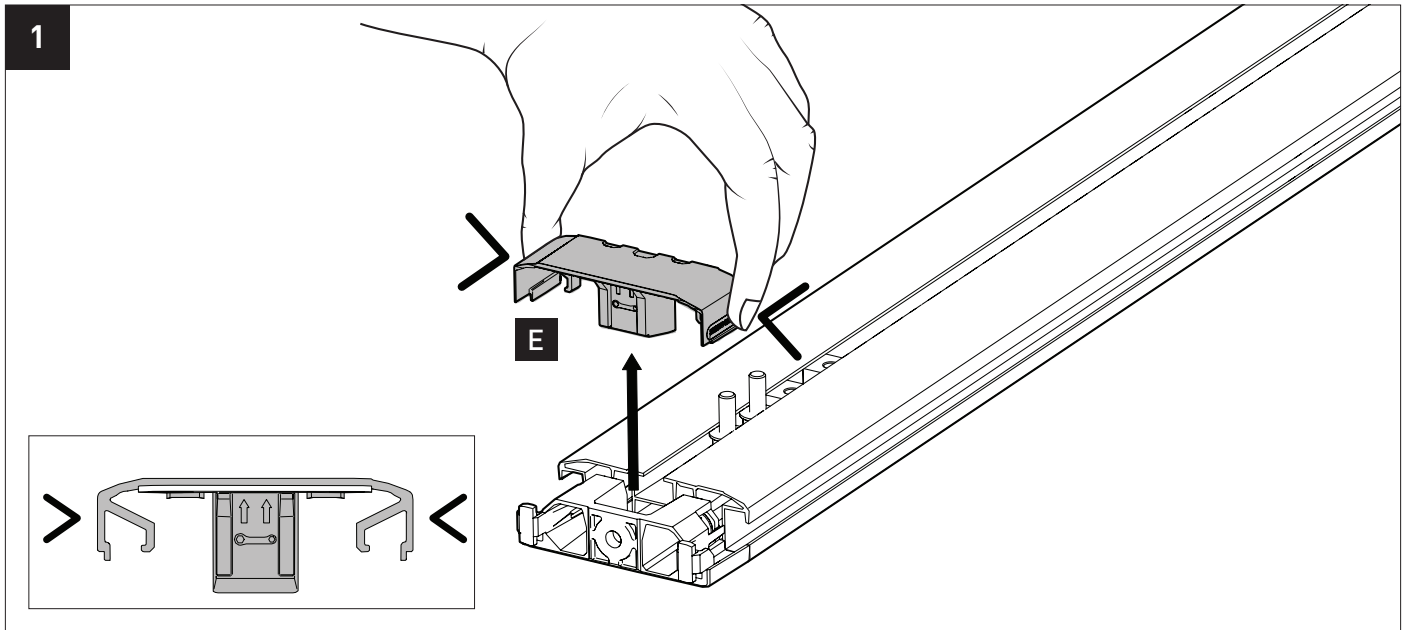
- T1 - Marker (if trimming NS bar)
- T2 - Saw (if trimming NS bar)
- T3 - Tape Measure
- T4 - 13mm Socket wrench
- T5 - Impact Driver with extension and 13mm socket
- T6 - Clamp

Safety Gear:

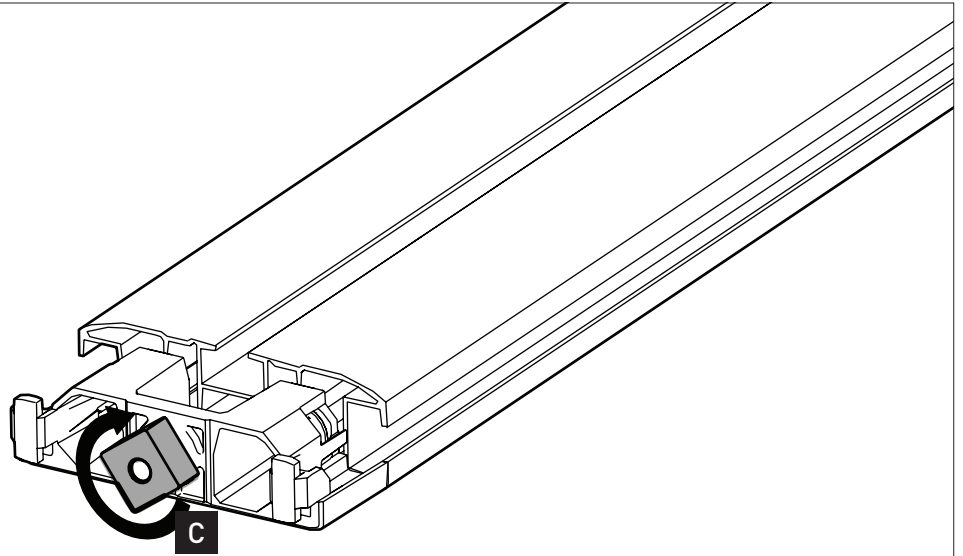


NOTES:

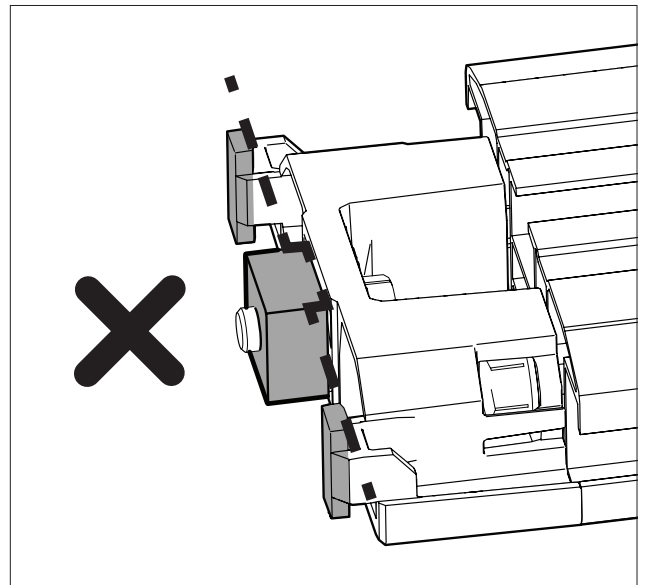
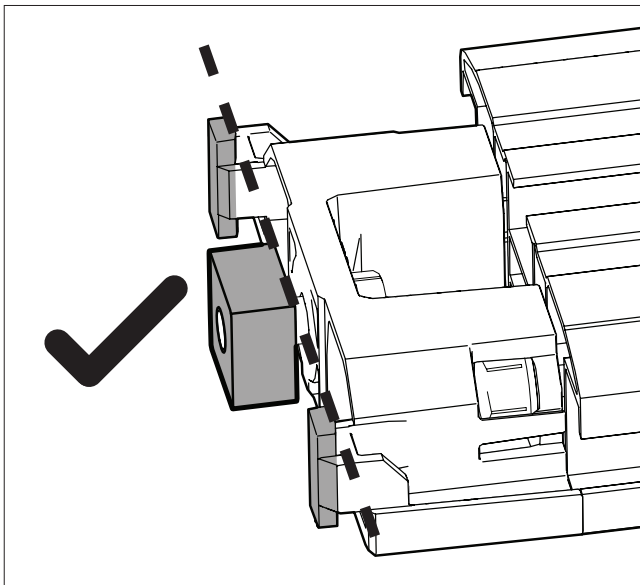
- While we recommend tower positions found on fitting supplements, they are only recommendations and not compulsory.
- You may fit more than two NS bars at any one time.



4

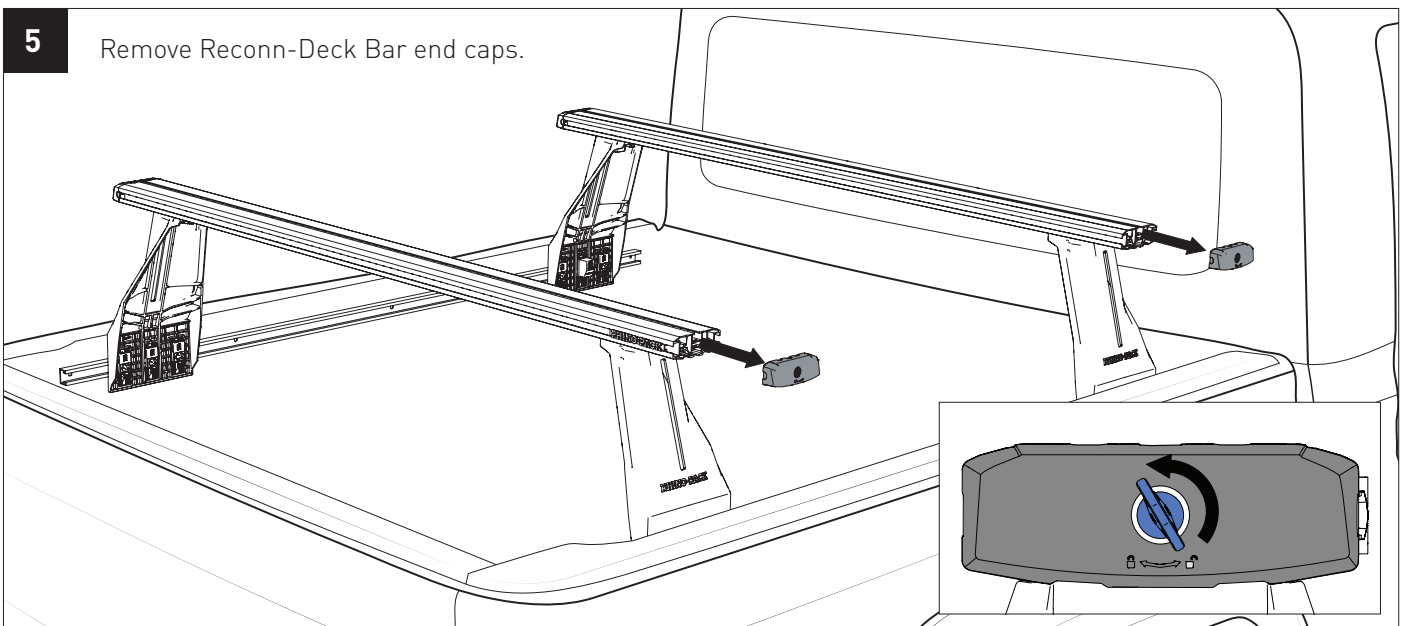


Align with tabs



5

Remove Reconn-Deck Bar end caps.

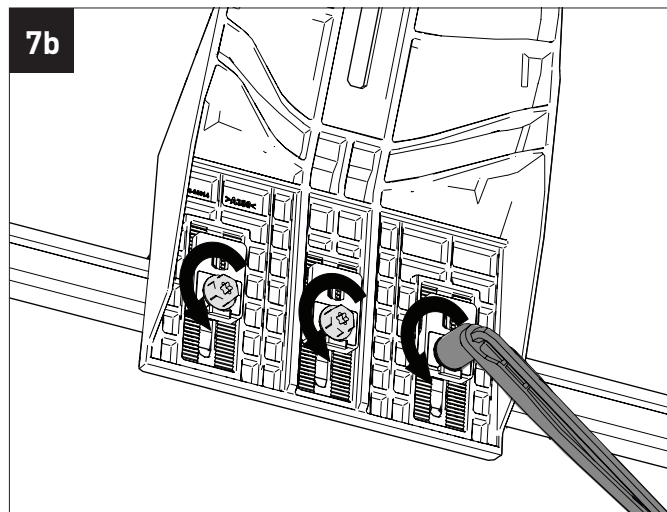
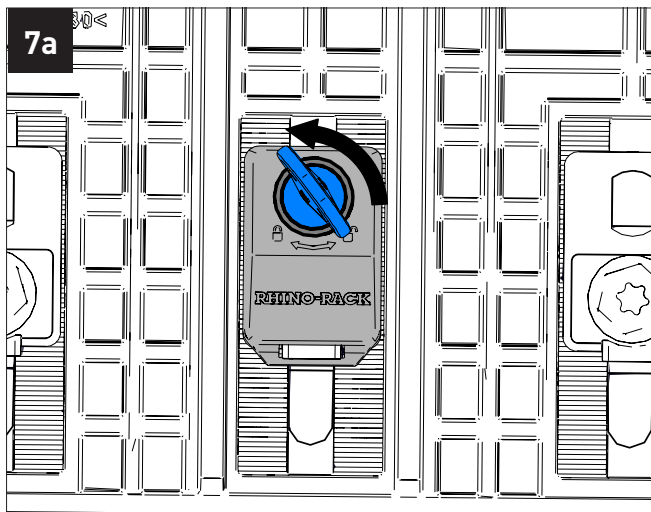


6 Determine your tower positions.
Tower positions vary depending on your vehicle & the bed rack system. When installing:

- IF THERE IS NOT A RECOMMENDED TOWER POSITION FOR YOUR VEHICLE/CONFIGURATION, POSITION THE TOWERS AT STEP **7** AS DESIRED

7 Remove from all towers

Loosen all towers lightly so they are fixed but can slide along rail



8 Slide and adjust the towers to recommended/custom tower positions.

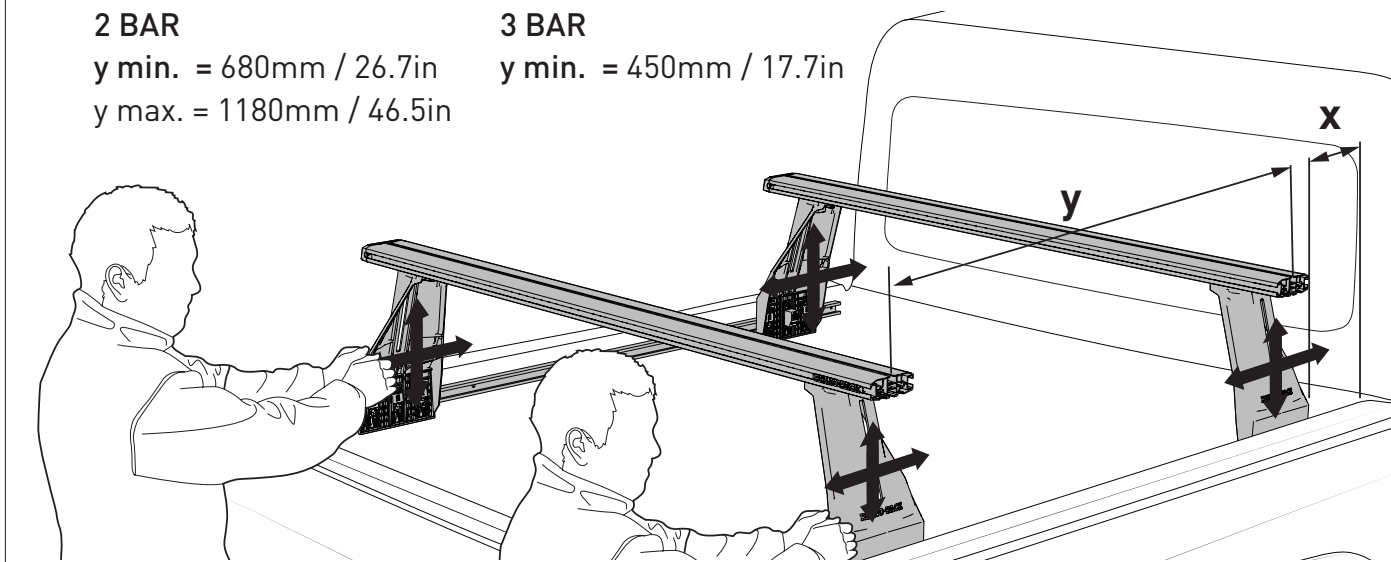
2 BAR

y min. = 680mm / 26.7in

y max. = 1180mm / 46.5in

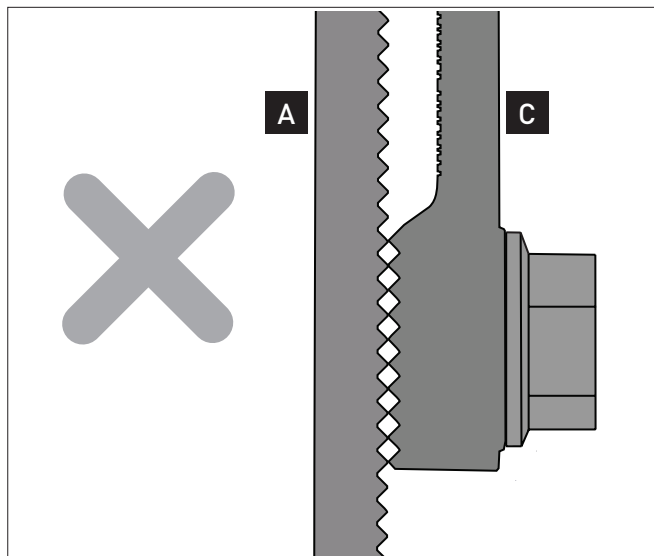
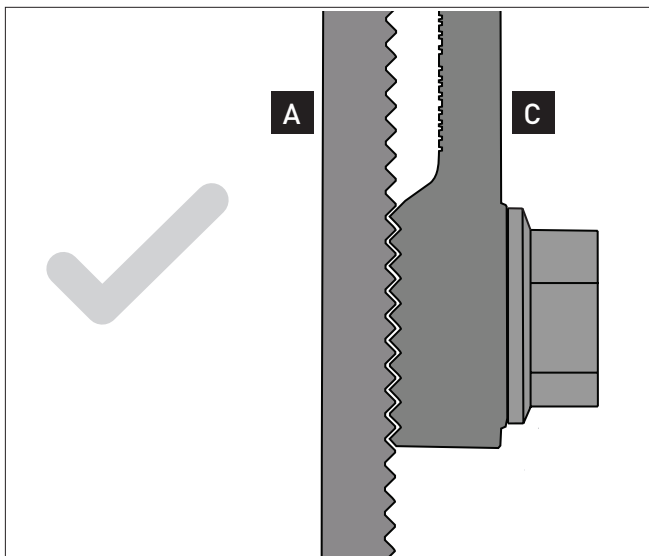
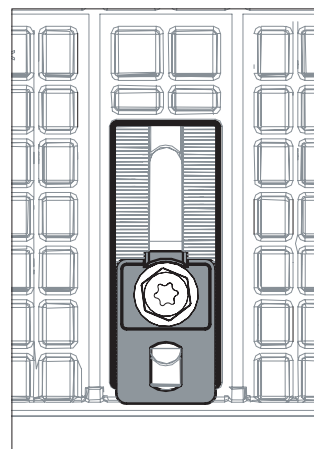
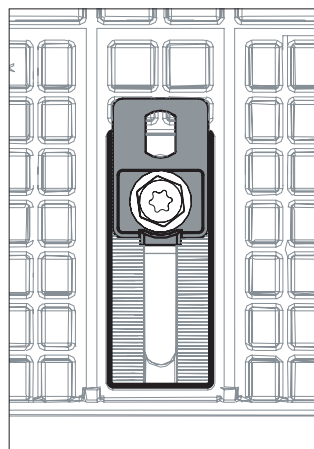
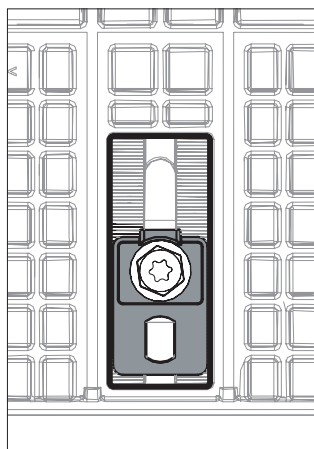
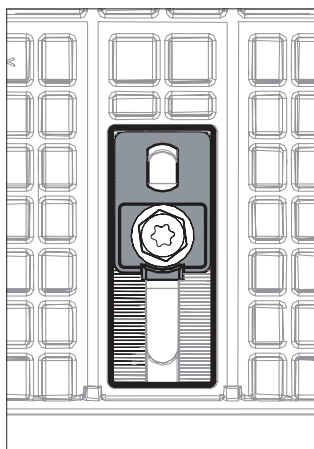
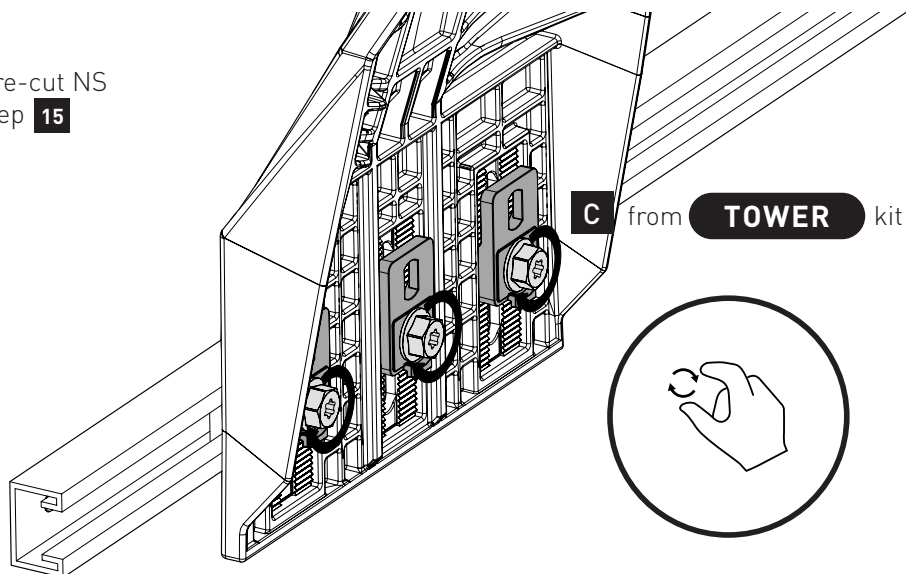
3 BAR

y min. = 450mm / 17.7in

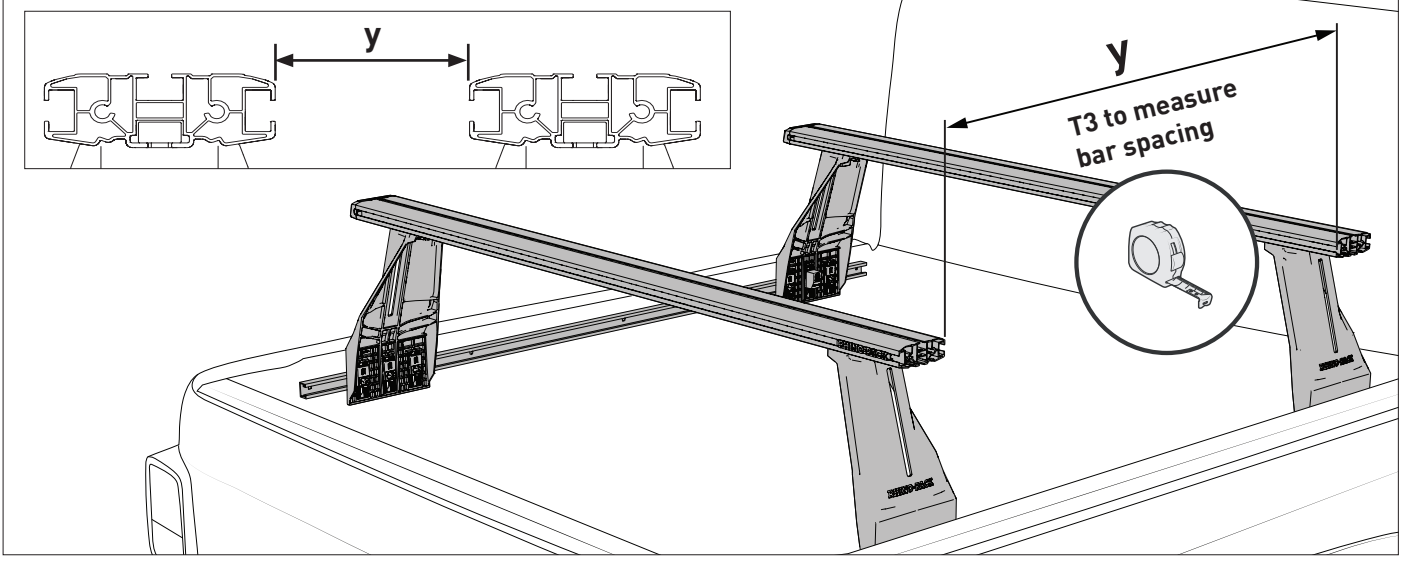


9 Finger tighten all bolts down to hold towers in position. Check Locking Serrated Washer's **C** are seated correctly (refer bottom image).

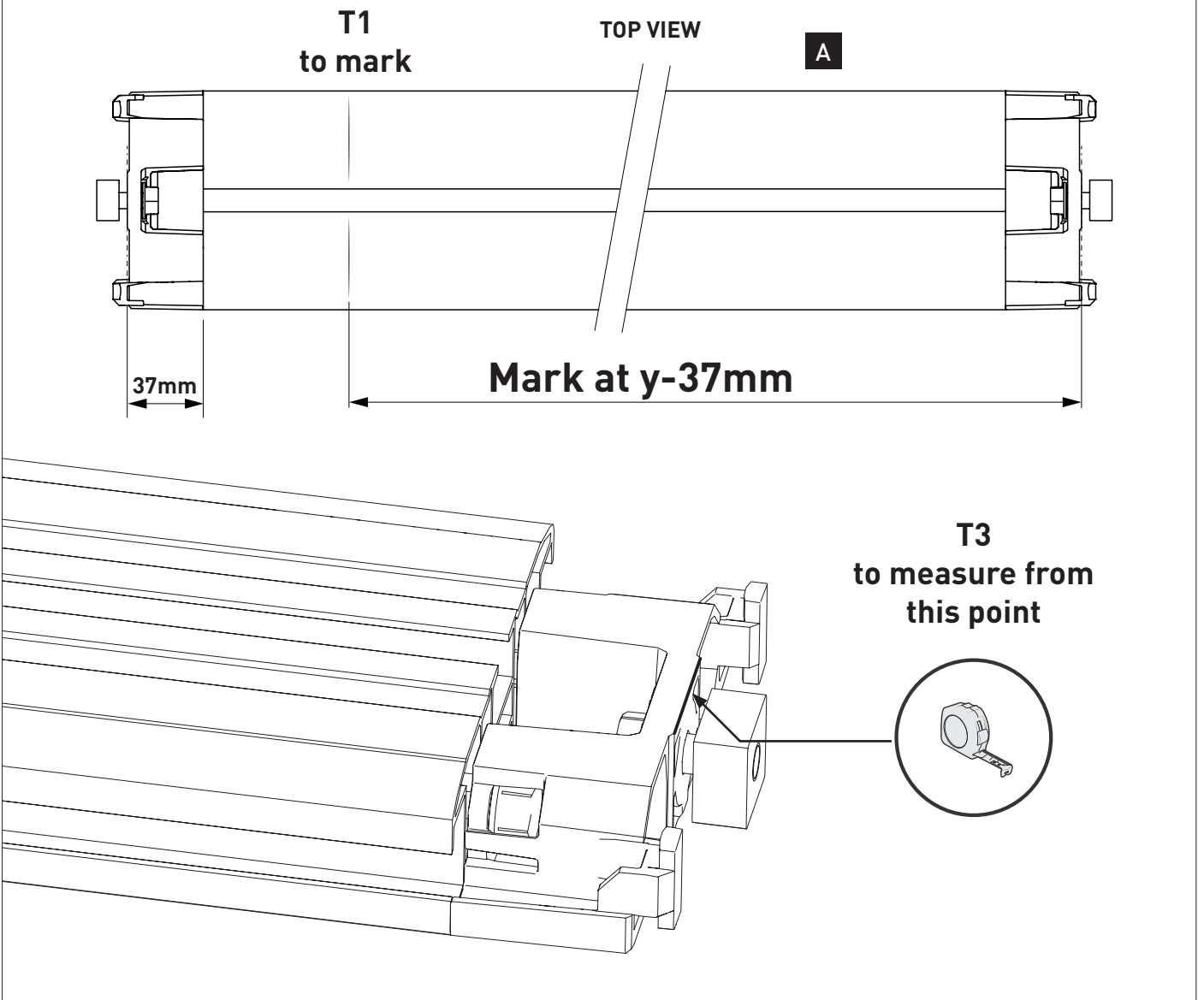
If using supplied pre-cut NS bars, proceed to step **15**



10 If trimming NS bar, measure and note cross bar spacing

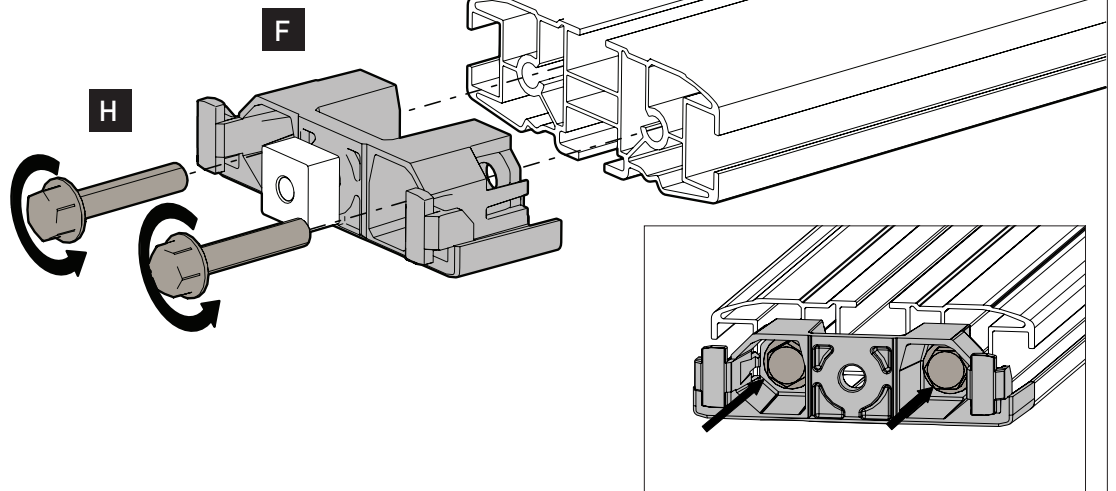
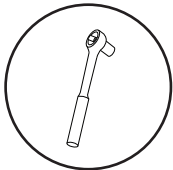


11 Mark measurement on NS bar



12 Remove connector from end to be trimmed

T4
to remove



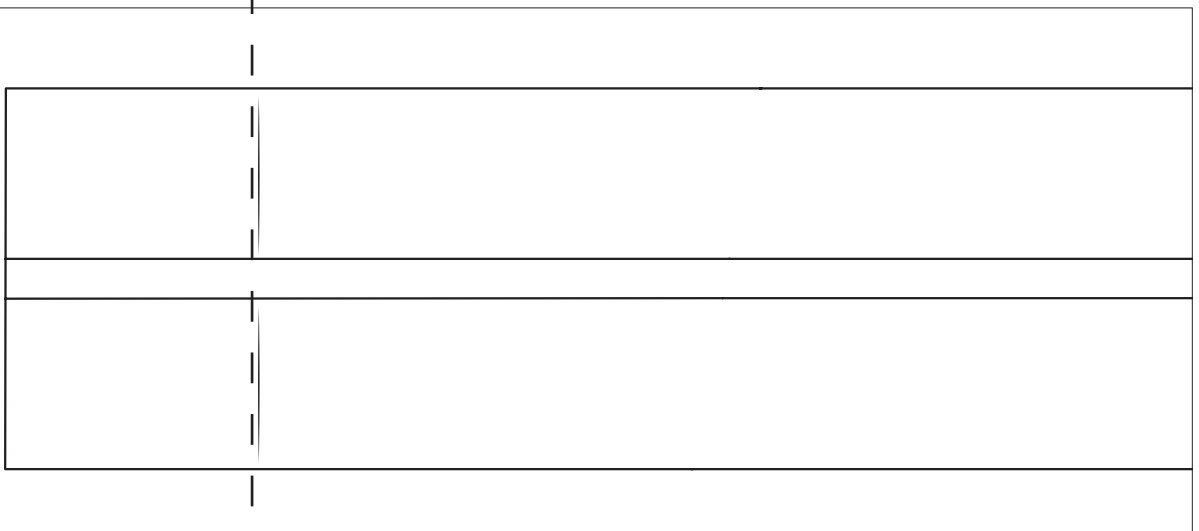
13 Trim NS bar along the outside of marked line (allow for cutting blade width)

[TRIM HERE]

TOP VIEW

A

offcut
side

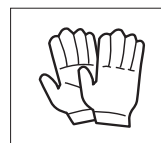
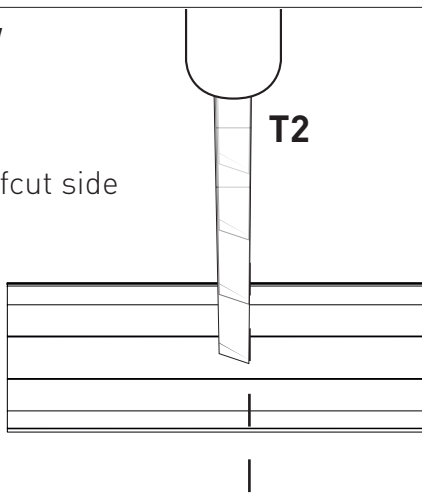


SIDE VIEW

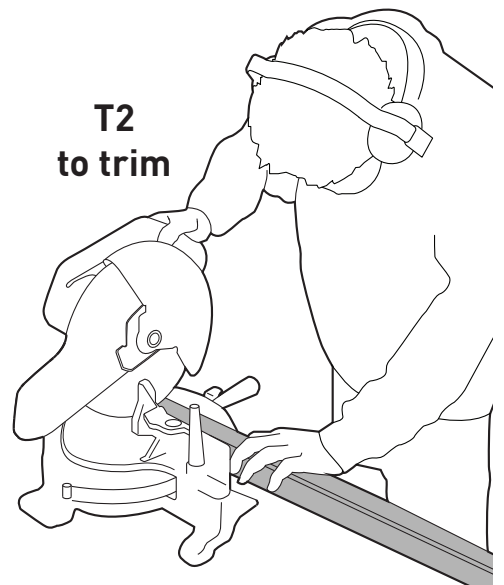
offcut
side

A

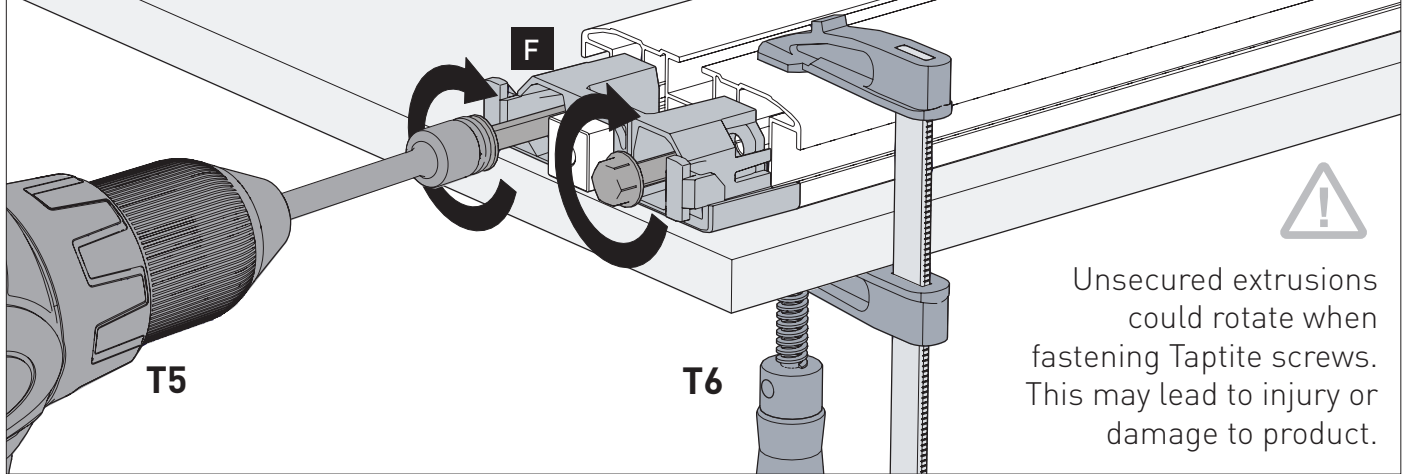
T2



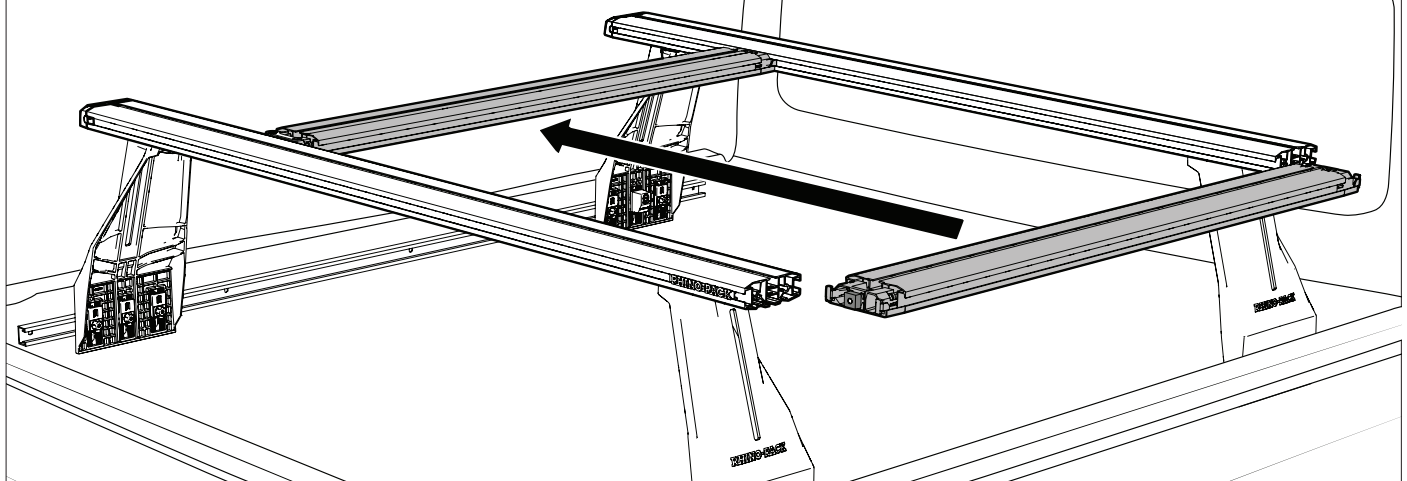
T2
to trim



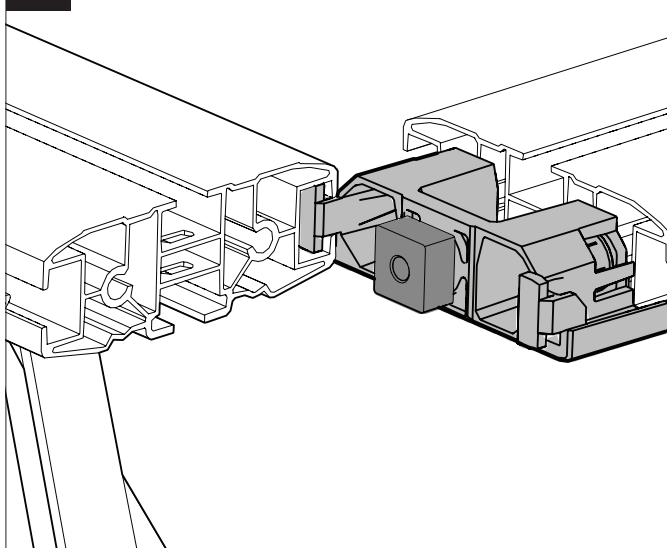
- 14** Reassemble **F** by securing to work bench or similar when installing Taptite fasteners into raw extrusion flutes.
Note: Tapping extrusion not required



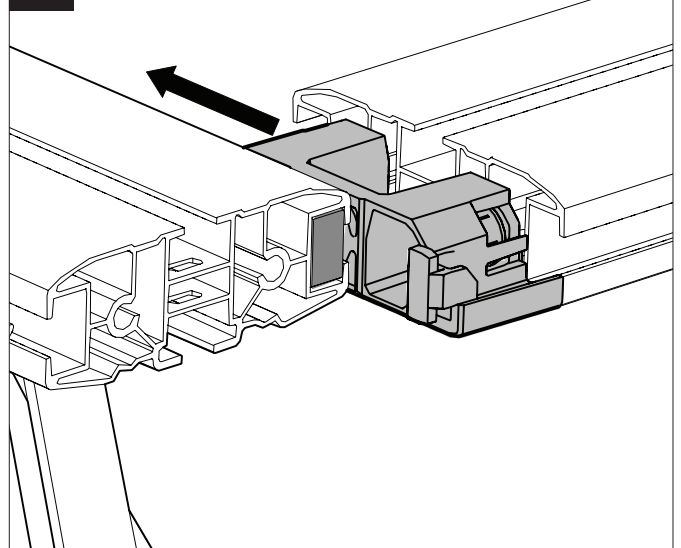
- 15** If required, adjust rear tower to allow NS bars to slide into Reconn-Deck Bar channels smoothly.



15a

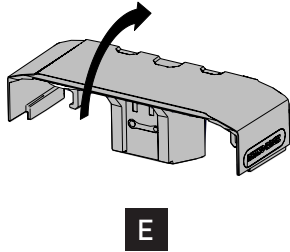


15b

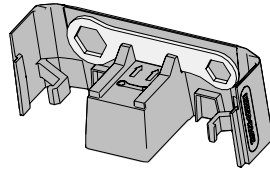


16

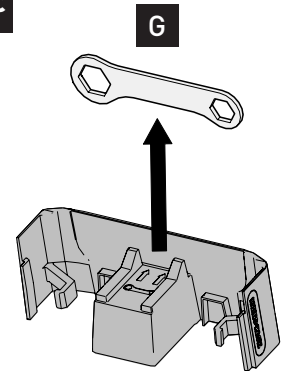
16a



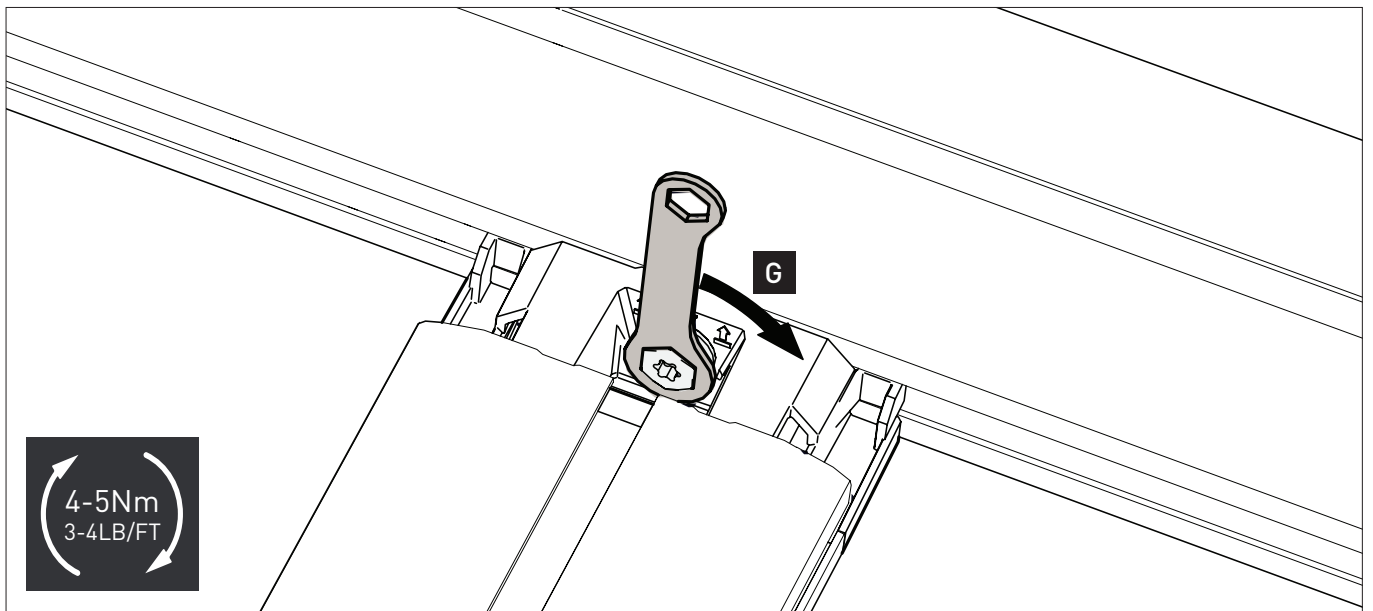
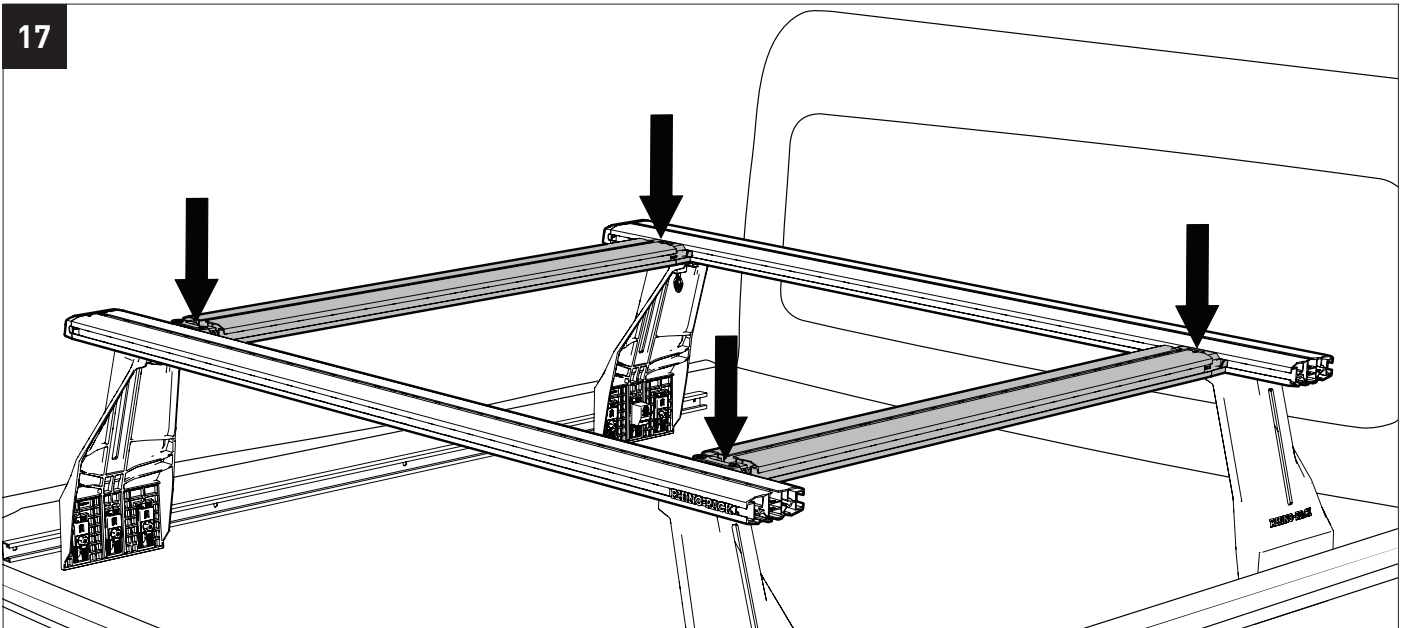
16b



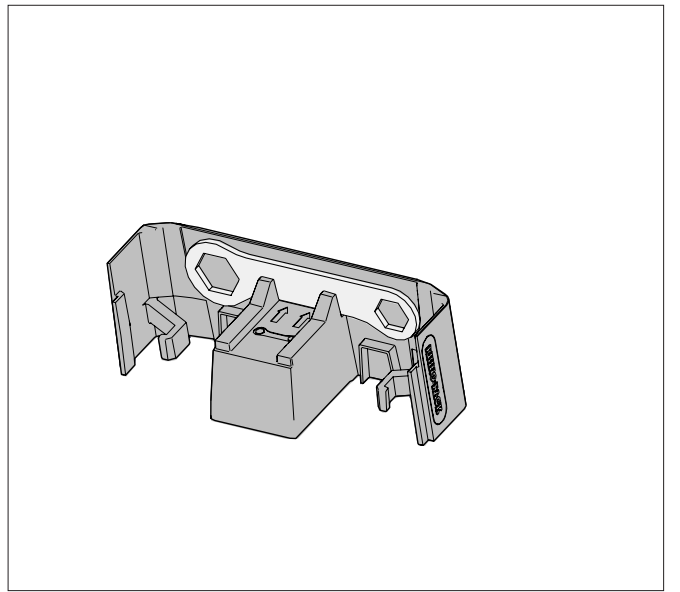
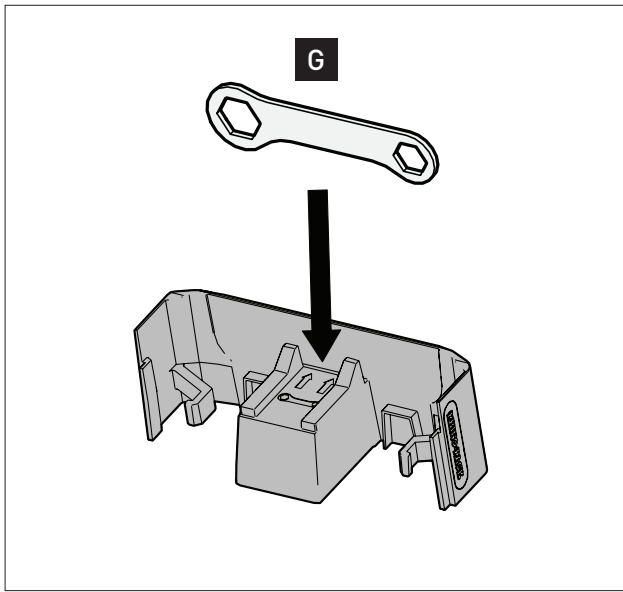
16c



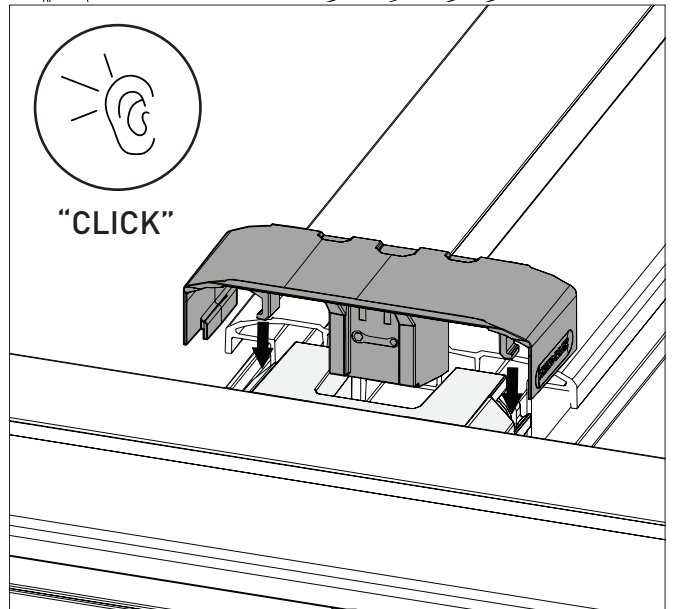
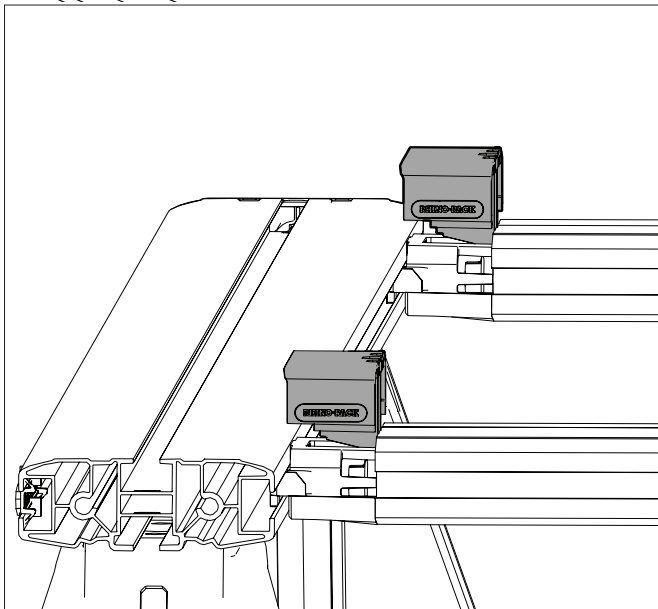
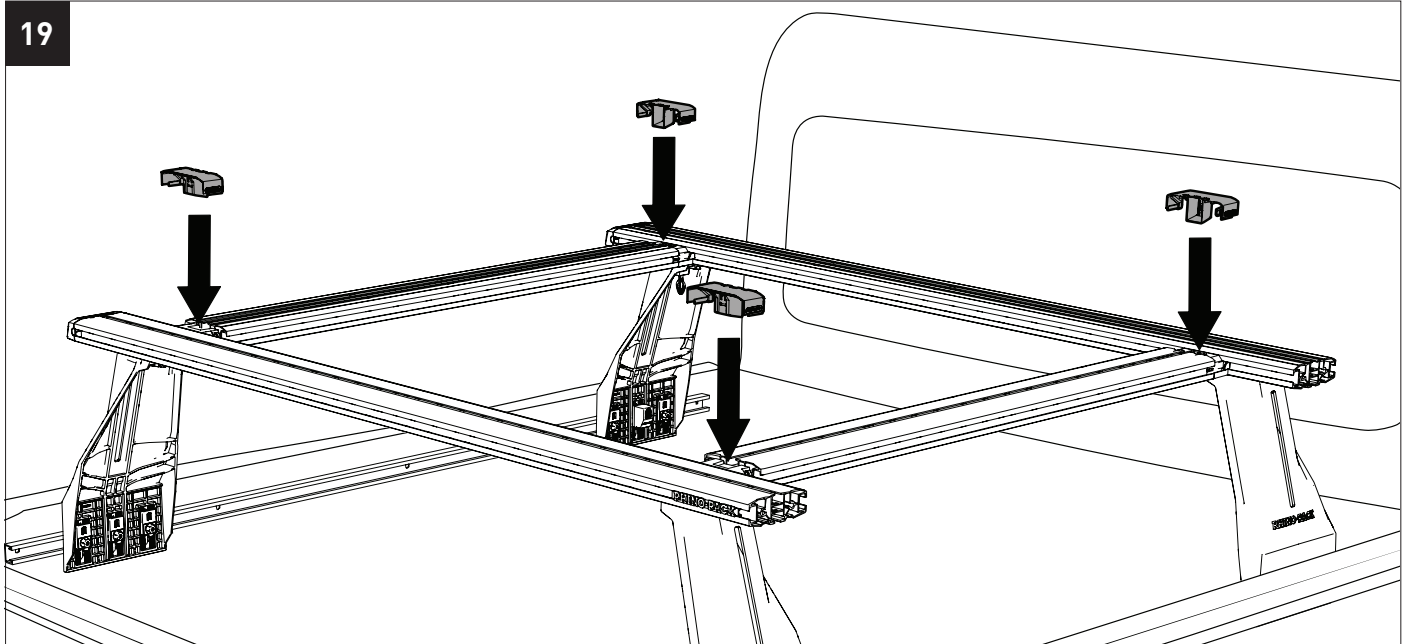
17



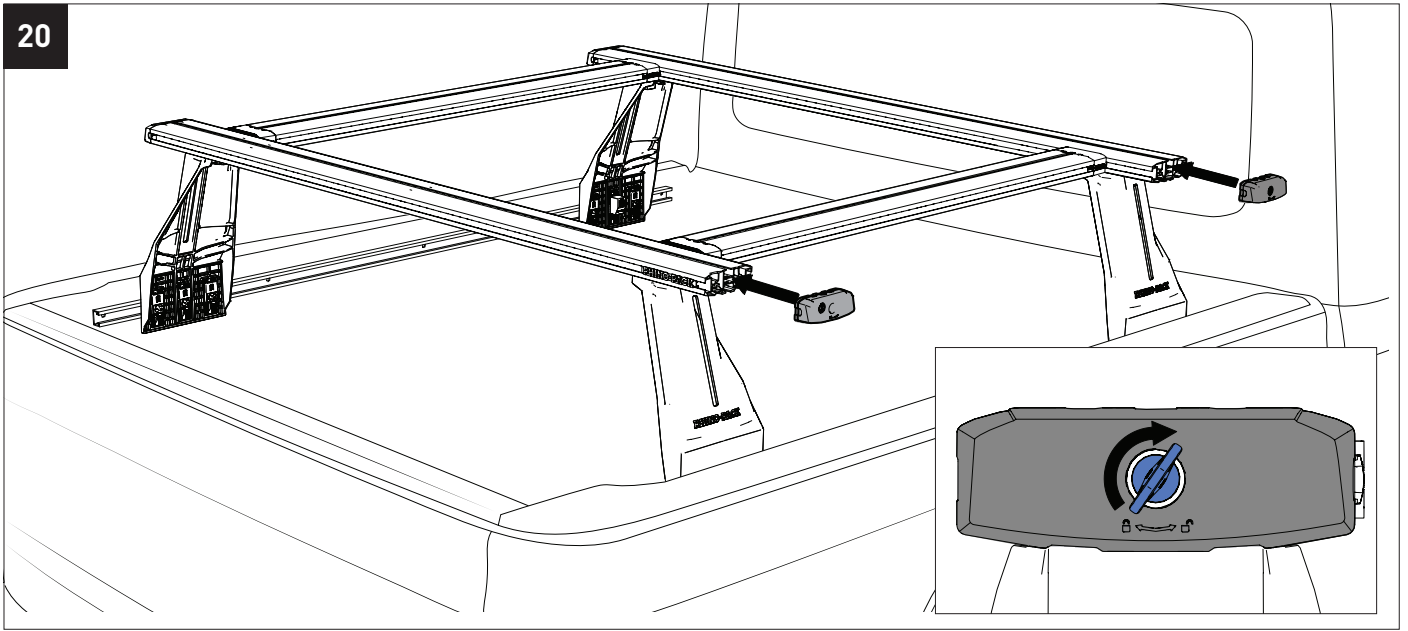
18



19



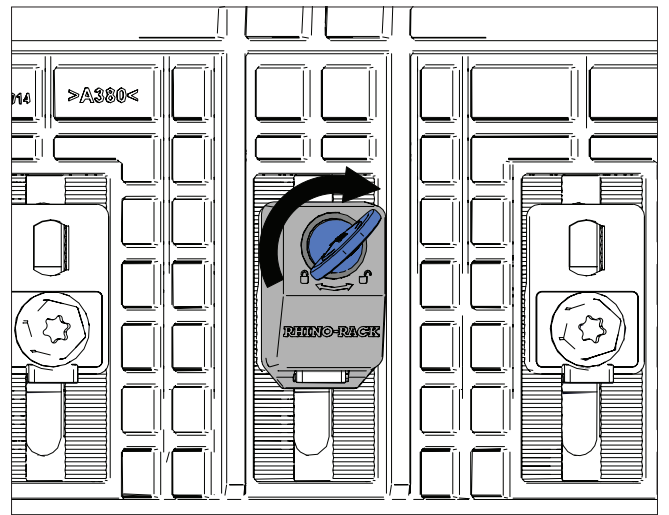
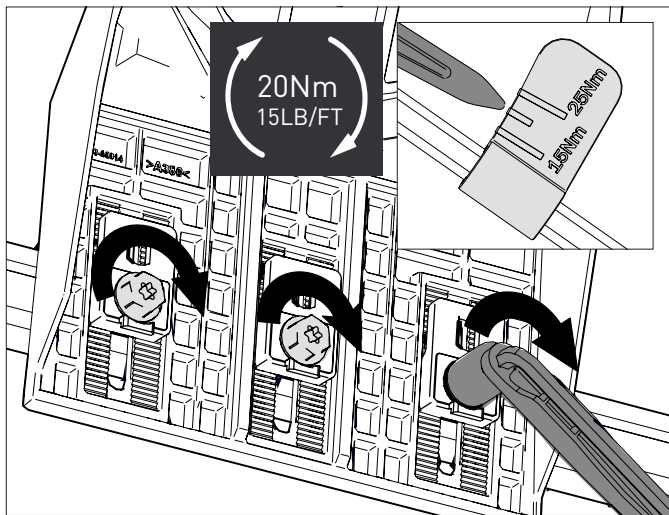
20



21

Retighten all

Refit to towers



22

