

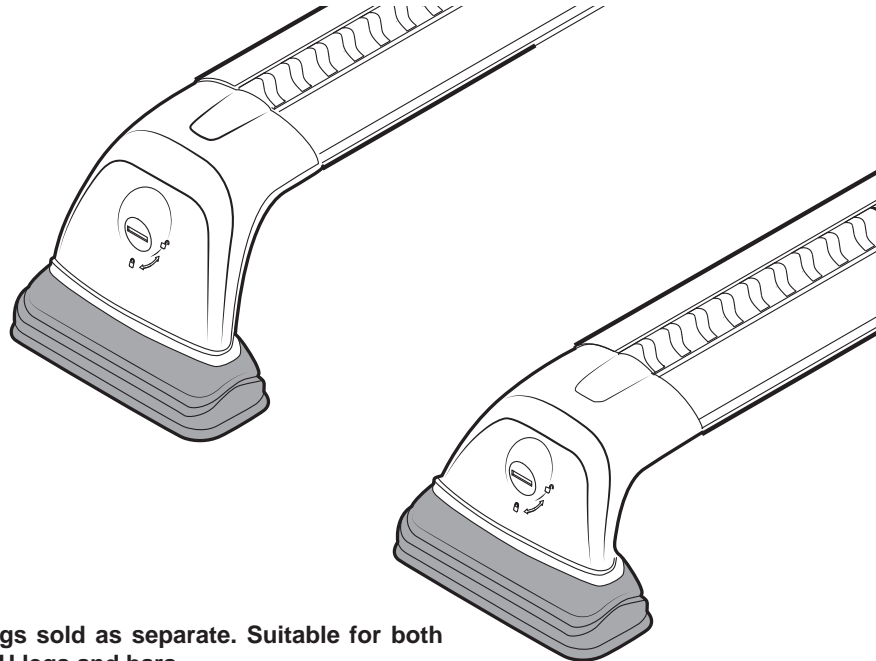


# RHINO-RACK

## RCP58-BK Generic Swivel Pad Kit

**Important:**

Please read these instructions carefully prior to installation.  
Please refer to your fitting instruction to ensure that the roof racks are installed in the correct locations.  
Check the contents of kit before commencing fitment and report any discrepancies



**Note:** Crossbars and legs sold as separate. Suitable for both RVL , RVH, RCL and RCH legs and bars.

### Important Information.

**Maximum roof load: 75kg/165lbs evenly distributed across two crossbars. Refer to vehicle owners manual for maximum roof loading. Always use lower of the two figures. Note: Be sure to check the Rhino-Rack website to see if you have the latest version of instructions before beginning installation.**

**Recommendations:**

It is essential that all bolt connections be checked after driving a short distance when you first install your crossbars. Bolt connections should be checked again at regular intervals (probably once a week is enough, depending on road conditions, usage, loads and distances travelled). You should also check the crossbars each time they are refitted. Make sure to fasten your load securely. Please ensure that all loads are evenly distributed and that the centre of gravity is kept as low as possible. Use non stretch ropes.

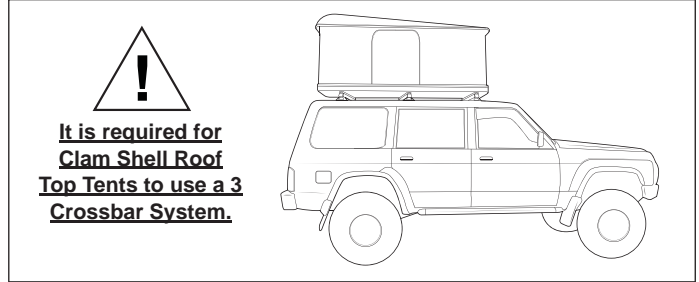
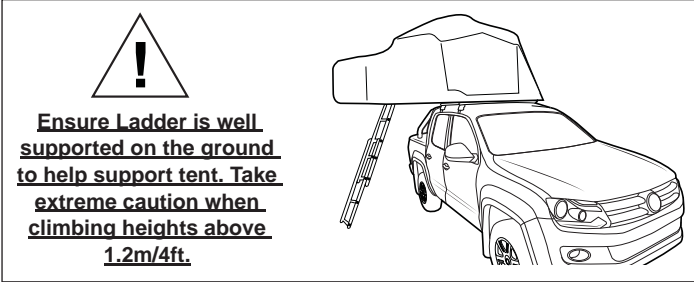
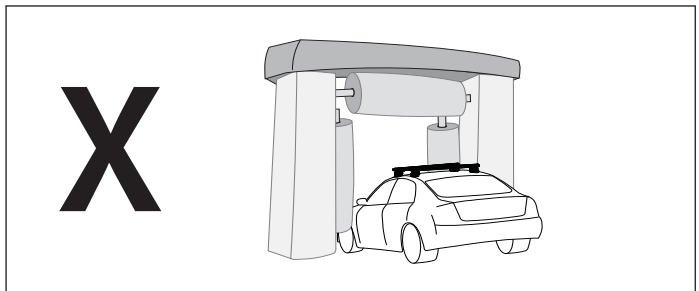
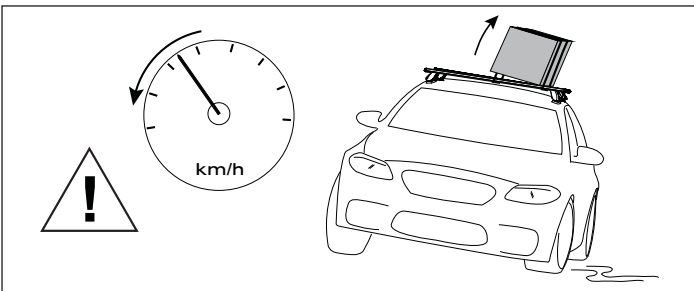
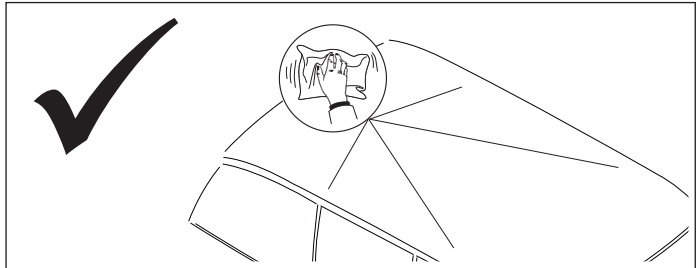
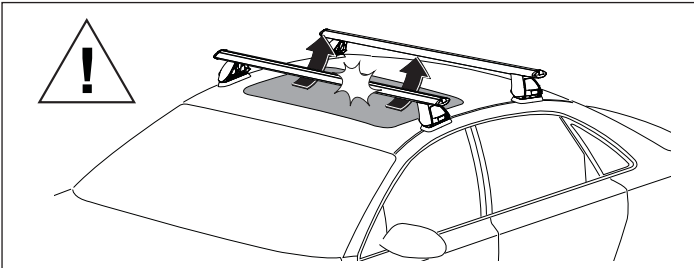
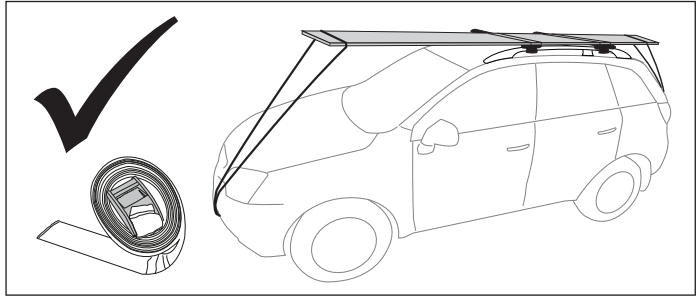
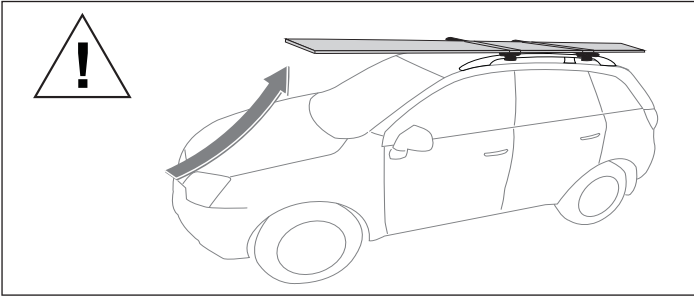
**Please remove crossbars when putting vehicle through an automatic car wash.**

**Load Ratings:**

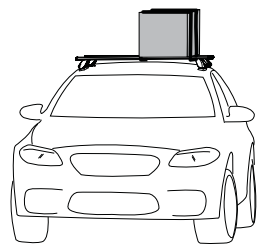
Maximum permissible load is 75kg (165lbs) for two crossbars including the weight of the crossbars, 5kg (11lbs). When crossbars are to be used in off-road conditions, please build a safety factor of 1.5 into this load limit for off-road use, two crossbars = **50kg 110lbs**). Although the crossbars are tested and approved to AS1235-2000, Off road conditions can be much more rigorous. However, increasing the number of crossbars does not increase the vehicles maximum permissible roof loading.



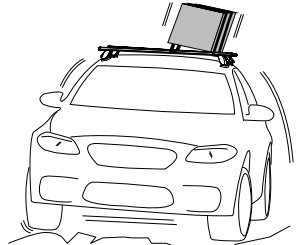
# RCP58-BK Generic Swivel Pad Kit



When these roof racks are to be used on a vehicle that is driven off sealed roads, the manufacturer maximum roof load rating (to be found in the vehicles User Manual) should be **divided by a factor of 1.5**. Do not forget to subtract 5kg from your maximum carrying capacity due to the weight of the crossbars and legs.



$$\begin{matrix} 75\text{kg}/165\text{lbs} \\ \text{load rating} \\ \text{(Urban road)} \end{matrix} = \begin{matrix} 50\text{kg}/110\text{lbs} \\ \text{load rating} \\ \text{(off road)} \end{matrix}$$



**WARNING! Important Load Carrying Instructions**

With utility vehicles, the cabin and the canopy move independently. Roofracks and vehicle can be damaged if the item transported is rigidly fixed at points on both the cabin and canopy. Instead, rigidly fix to either the cabin roofracks or the canopy roofracks.

Paddle/ Surfboards should be fixed to the front of the vehicle.



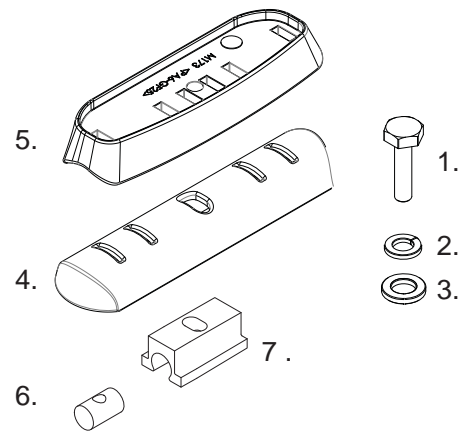
# RCP58-BK Generic Swivel Pad Kit

## Parts List.

Item	RCP42-BK	Qty	Part No.
1	M6 x 40mm Hex Setscrew	4	B106
2	M6 Spring Washer	4	W004
3	M6 x 16mm Flat Washer	4	W031
4	Bottom Pad	4	M172
5	Top Pad	4	M173
6	M6 x 16mm Dowel Nut	4	N027
7	Dowel Nut Housing	4	A341
8	Instructions	1	R1464

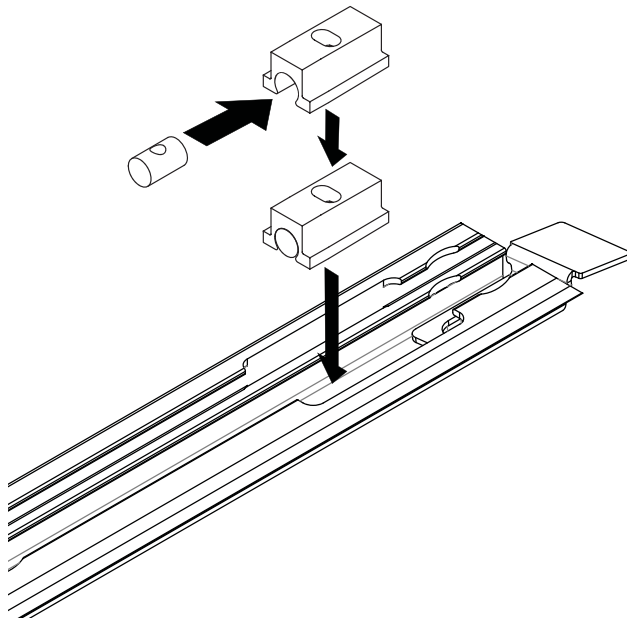
**Note:** Legs and Crossbars are sold separate. Be sure to obtain correct kits for your vehicle.

**Tools required:**  
1- 10mm Socket



## Instructions.

- 1** Place the dowel nut into the housing and slide into the installed tracks.



- 2** Install the crossbars into the foam special nuts. Tighten with allen key provided.

