



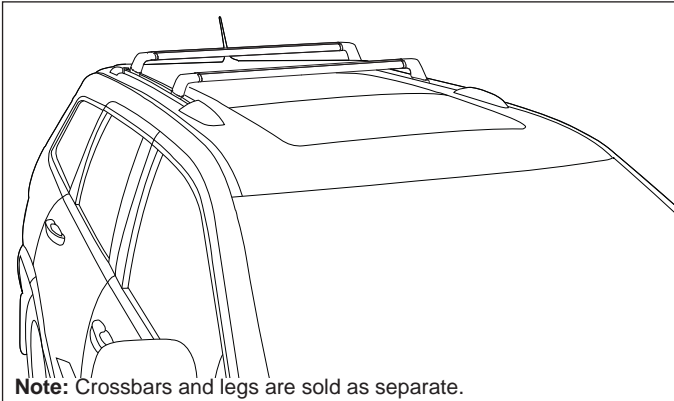
RHINO-RACK

Pad Kit

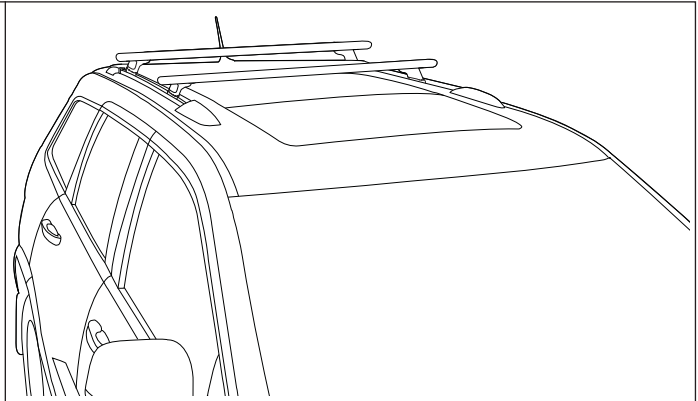
Jeep Grand Cherokee (RCP27-BK)

Important:

Please read these instructions prior to installation.
Check contents of kit before commencing fitment and report any discrepancies.
Place these instructions in vehicle's glovebox after installation is complete.



Note: Crossbars and legs are sold as separate.



Maximum roof load: 68kg/149lbs

1. Check Part No./Kit is correct
2. Read through instruction before installing
3. Fit roof rack accessory
4. Check and recheck all fasteners are secure

Note: Be sure to check Rhino-Rack website to see if you have the latest version of instructions before beginning installation.

Refer to vehicle manufacturers handbook for maximum roof loading. Always use lower of the two figures.

Recommendations:

It is essential that all bolt connections be checked after driving a short distance when you first install your crossbars. Bolt connections should be checked again at regular intervals (probably once a week is enough, depending on road conditions, usage, loads and distances travelled). You should also check the crossbars each time they are refitted. Make sure to fasten your load securely. Please ensure that all loads are evenly distributed and that the centre of gravity is kept as low as possible.

Crossbars must be removed when putting vehicle through an automatic car wash.

Carrying Loads: Use only non-stretch fastening ropes or straps to secure your load.

Caution: The handling characteristics of the vehicle change when you transport a load on the roof. For safety reasons we recommend you exercise extreme care when transporting wind-resistant loads. Special consideration must be taken into account when cornering and braking.

Load Ratings:

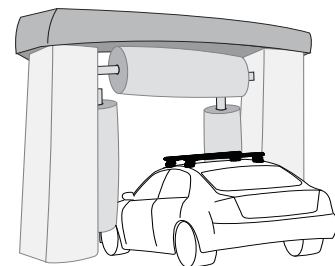
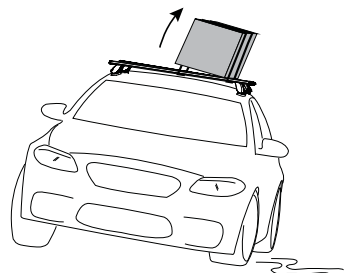
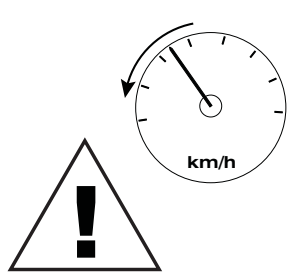
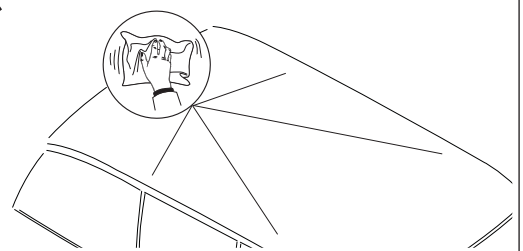
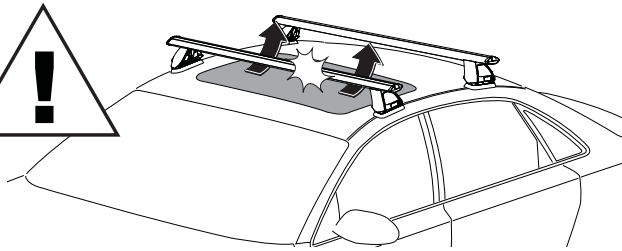
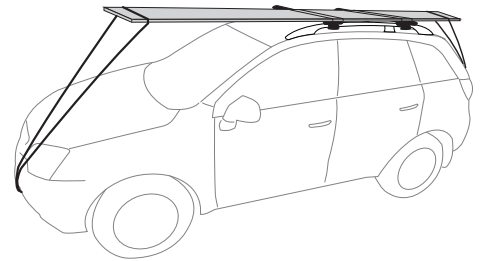
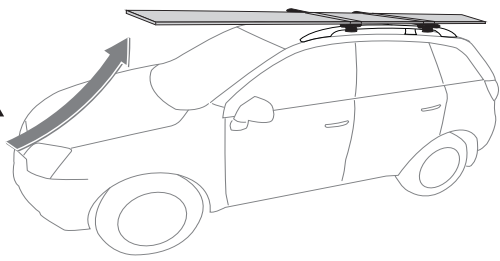
Maximum permissible load is 68kg (149lbs) for two crossbars including the weight of the crossbars, 5kg (11lbs). When crossbars are to be used in off-road conditions, please build a safety factor of 1.5 into this load limit for off-road use, two crossbars = **45kg 99lbs**). Although the crossbars are tested and approved to AS1235-2000, off-road conditions can be much more rigorous. However, increasing the number of crossbars does not increase the vehicles maximum permissible roof loading.

Note for Dealers and Fitters:

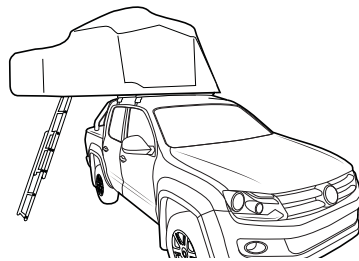
It is your responsibility to ensure instructions are given to the end user or client.



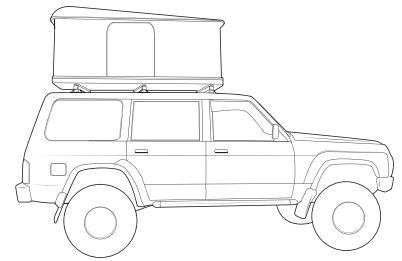
Jeep Grand Cherokee (RCP27-BK)



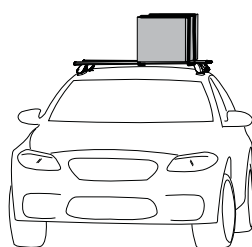
Ensure Ladder is well supported on the ground to help support tent. Take extreme caution when climbing heights above 1.2m/4ft.



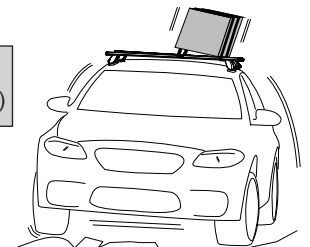
It is required for Clam Shell Roof Top Tents to use a 3 Crossbar System.



When these roof racks are to be used on a vehicle that is driven off sealed roads, the maximum roof rack load rating should be **divided by 1.5**. Do not forget to subtract 5kg from your maximum carrying capacity due to the weight of the crossbars and legs.

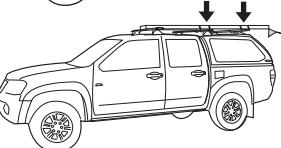
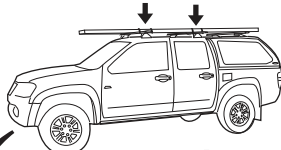
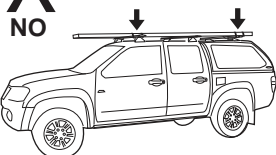


68kg load rating (Urban road) = 45kg load rating (Off road - 68kg / 1.5)

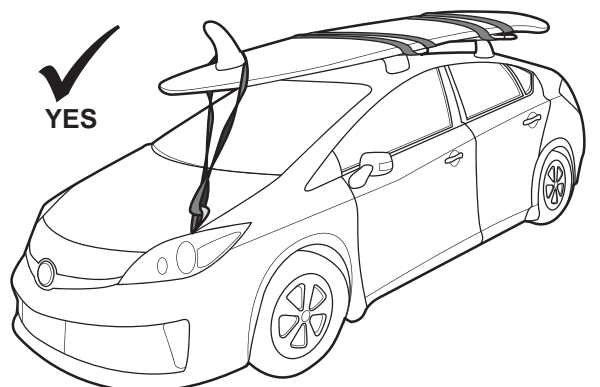


WARNING! Important Load Carrying Instructions

With utility vehicles, the cabin and the canopy move independently. Roof racks and vehicle can be damaged if the item transported is rigidly fixed at points on both the cabin and canopy. Instead, rigidly fix to either the cabin roof racks or the canopy roof racks.



Paddle/ Surfboards should be fixed to the front of the vehicle.



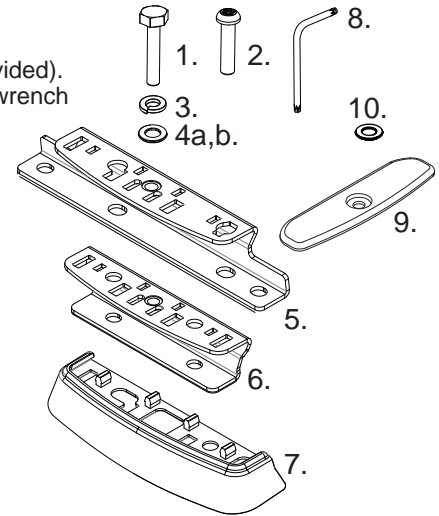


Jeep Grand Cherokee (RCP27-BK)

Parts List

Item	Component Name	Qty	Part No.
1	M6 x 20mm Hex Setscrew	4	B082
2	M6 x 25mm Torx27 Screw	6	B244
3	M6 Spring Washer	10	W004
4a	M6 x 12.5mm Flat Washer	6	W003
4b	M6 x 16mm Flat Washer	4	W031
5	Front Bracket	2	CA1337
6	Rear Bracket	2	CA1338
7	Rubber Skirt	4	M725
8	T27 Torx Key	1	H054
9	Mount Cover Plate	4	M126
10	M6 Washer (used on cover plate)	4	W003
11	Instruction	1	R1274

Tools Required:
 1 - T30 Torx Key.
 2 - Allen Key (provided).
 3 - 10mm socket wrench



Instructions

1 Move to the front of the vehicle.

2 Top View: Locate the mounting point factory hardware.

3 Using a T30 key, remove factory hardware.

4 Push the rubber skirt into both front brackets

5 Install the bracket using M6 x 25mm Torx Screws, M6 Spring and Flat Washers. Finger tighten. The foam base on each bracket can easily be pierced using the hardware provided.

REAR **Note: Front Right Bracket shown.** FRONT

6 Use the Torx Key provided, tighten to 4-5Nm (3-4 lb/ft).

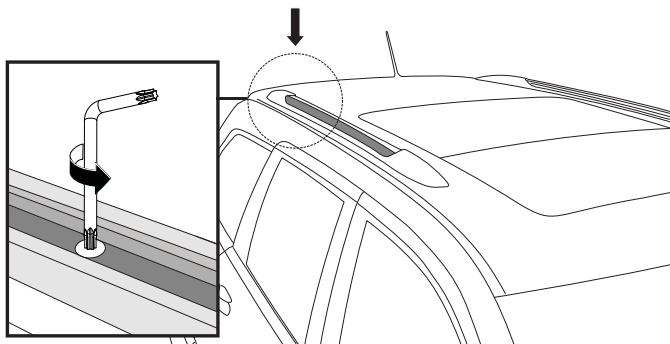
4 - 5 Nm (3-4 lb/ft)

Repeat steps 1-6 for the opposite side of the vehicle.

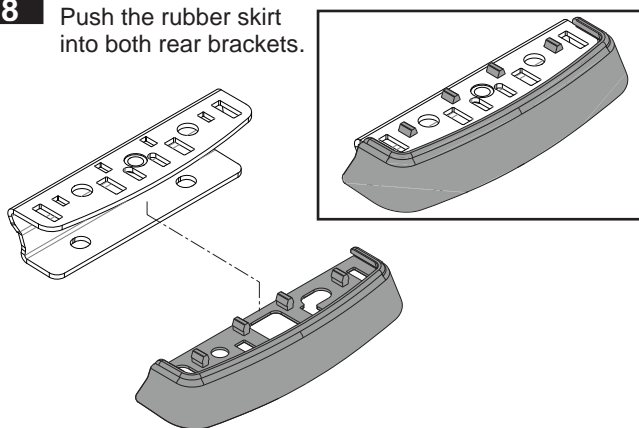


Jeep Grand Cherokee (RCP27-BK)

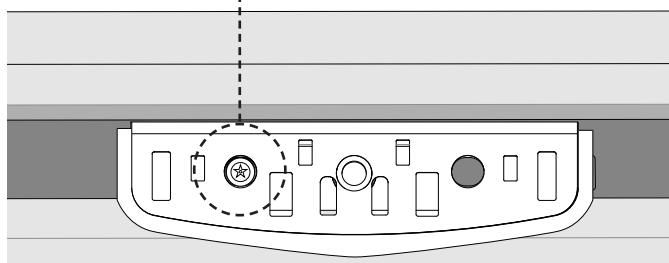
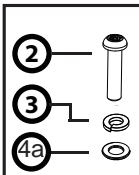
- 7** Remove the factory hardware at the rear mounting point using a T30 Torx key.



- 8** Push the rubber skirt into both rear brackets.



- 9** Install the bracket using an M6 x 25mm Socket Screw, M6 Spring and Flat Washers. Finger tighten.



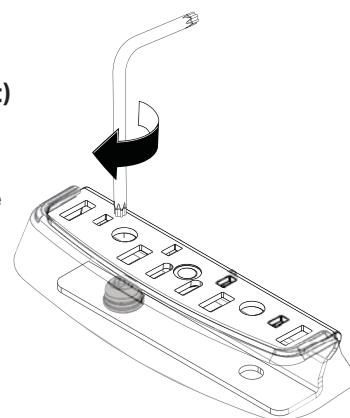
REAR

FRONT

- 10** Use the Torx Key provided and tighten to 4-5Nm (3-4 lb/ft).

4 - 5 Nm (3-4 lb/ft)

Repeat steps 7-10 for the opposite side of the vehicle.



- 11** When crossbars are not in use, install the mount point covers as shown.

