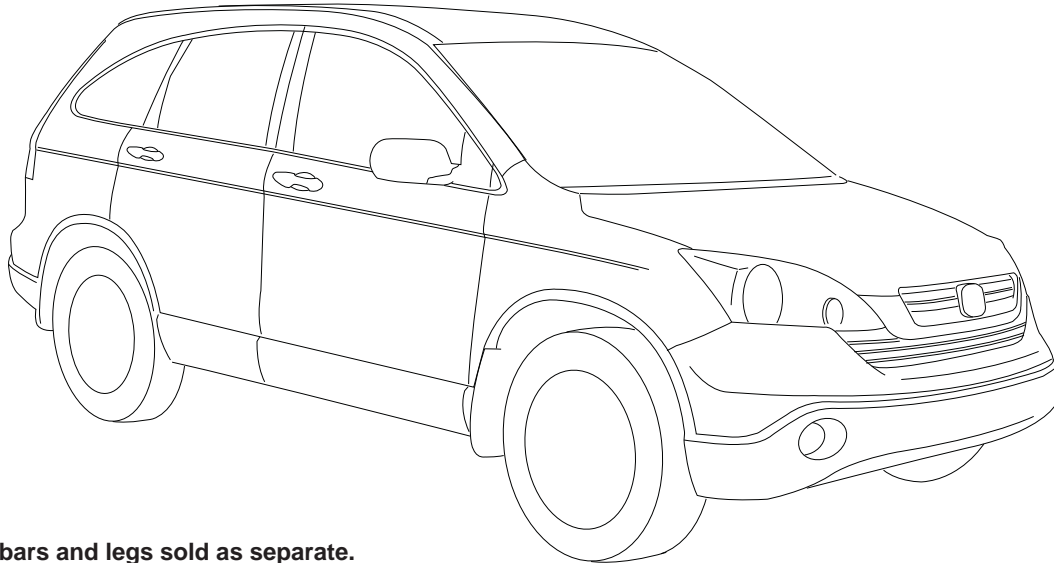




RHINO-RACK

RCP15-BK - HONDA CR-V

Important: Please read these instructions carefully prior to installation.
Please refer to your fitting instruction to ensure that the roof racks are installed in the correct locations.
Check the contents of this kit before commencing fitment and report any discrepancies.
Place these instructions in the vehicle's glove box after installation is complete.



Note: Crossbars and legs sold as separate.

Maximum roof load: 75kg

1. Check Part No./Kit is correct
2. Read through instruction before installing
3. Fit roof rack accessory
4. Check and recheck all fasteners are secure

Note: Be sure to check the Rhino-Rack website to see if you have the latest version of instructions before beginning installation. Refer to vehicle manufacturers handbook for maximum roof loading. Always use lower of the two figures.

Recommendations: It is essential that all bolt connections be checked after driving a short distance when you first install your crossbars. Bolt connections should be checked again at regular intervals (probably once a week is enough, depending on road conditions, usage, loads and distances travelled). You should also check the crossbars each time they are refitted. Make sure to fasten your load securely. Please ensure that all loads are evenly distributed and that the centre of gravity is kept as low as possible.

Crossbars must be removed when putting vehicle through an automatic car wash.

Carrying Loads: Use only non-stretch fastening ropes or straps to secure your load.

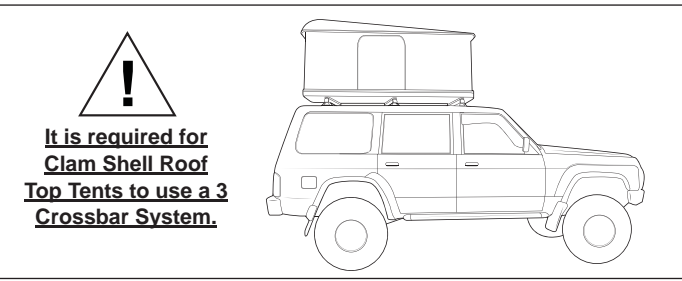
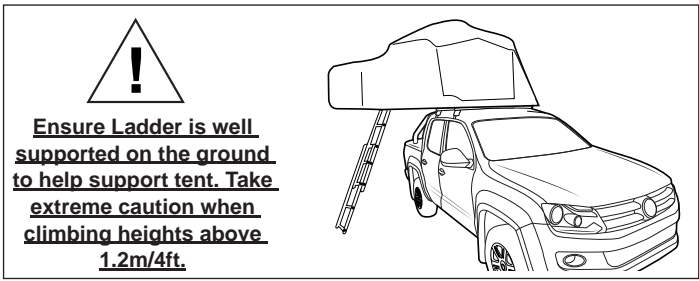
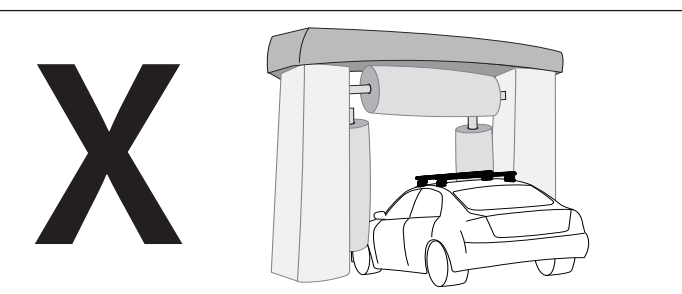
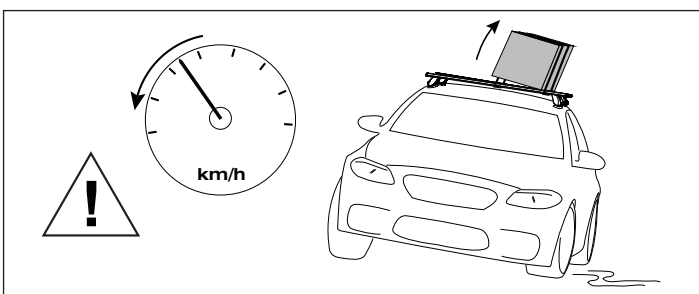
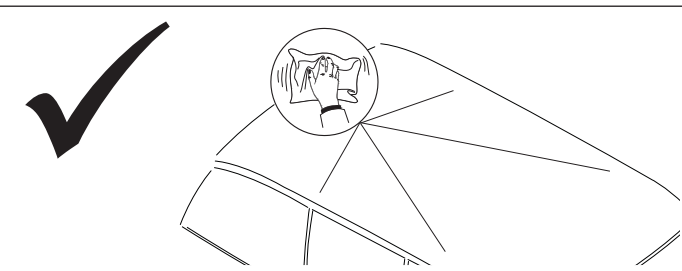
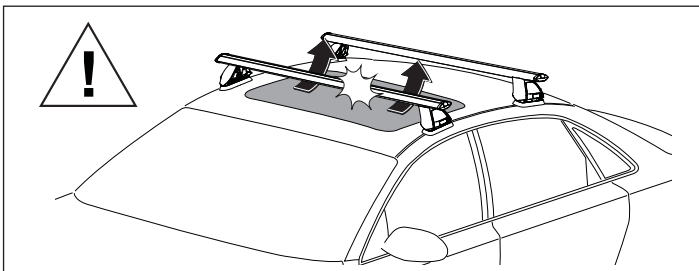
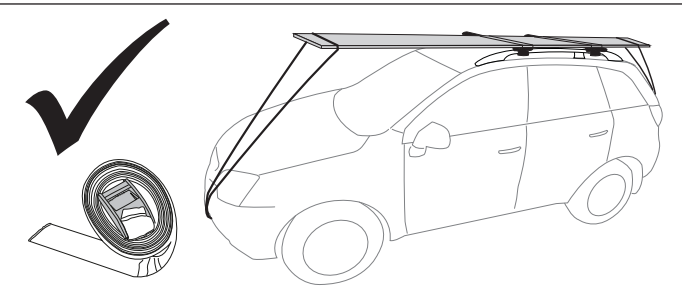
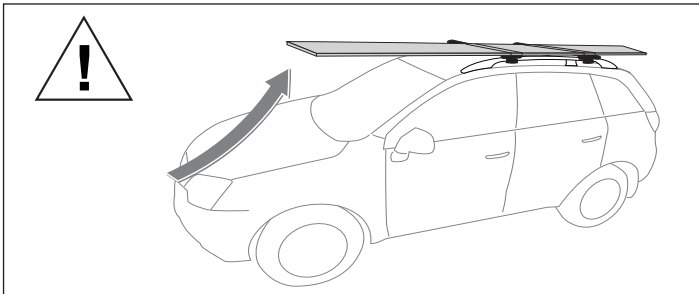
Caution: The handling characteristics of the vehicle change when you transport a load on the roof. For safety reasons we recommend you exercise extreme care when transporting wind-resistant loads. Special consideration must be taken into account when cornering and braking.

Load Ratings:

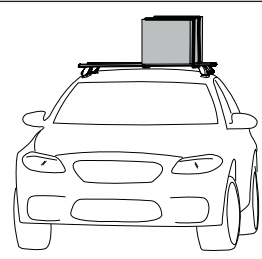
Maximum permissible load is 75kg (165lbs) for two crossbars including the weight of the crossbars, 5kg (11lbs). When crossbars are to be used in off-road conditions, please build a safety factor of 1.5 into this load limit for off-road use, two crossbars = **50kg (110lbs)**. Although the crossbars are tested and approved to AS1235-2000, off-road conditions can be much more rigorous. However, increasing the number of crossbars does not increase the vehicles maximum permissible roof loading.



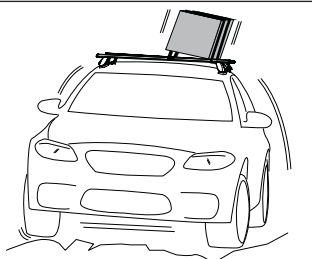
RCP15-BK - HONDA CR-V



When these roof racks are to be used on a vehicle that is driven off sealed roads the maximum load rating must be divided by 1.5. Remember to subtract the weight of the roof racks to determine your maximum permissible load capacity.



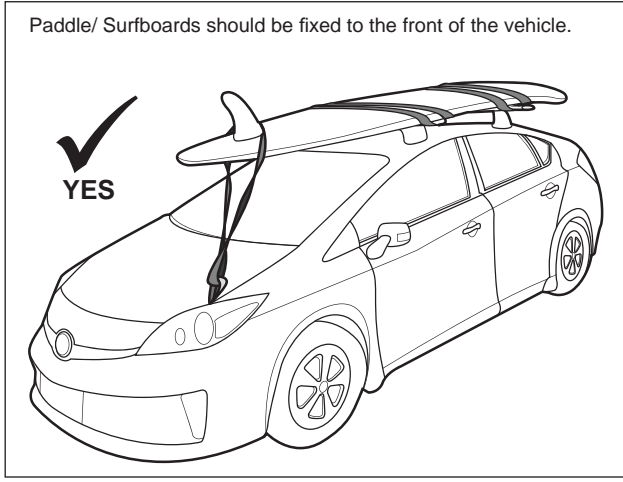
2 bars 75kg (165lbs) load rating (Urban road) = 2 bars 50kg (110lbs) load rating (Off road)
Load rating not taking into account crossbar weight - 5kg



WARNING! Important Load Carrying Instructions

With utility vehicles, the cabin and the canopy move independently. Roof racks and vehicle can be damaged if the item transported is rigidly fixed at points on both the cabin and canopy. Instead, rigidly fix to either the cabin roof racks or the canopy roof racks.

NO (Load fixed to both cabin and canopy)
YES (Load fixed to cabin roof rack)
YES (Load fixed to canopy roof rack)



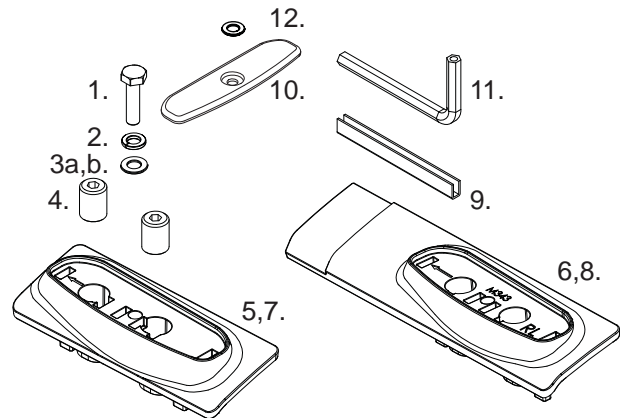


RCP15-BK - HONDA CR-V

Parts List

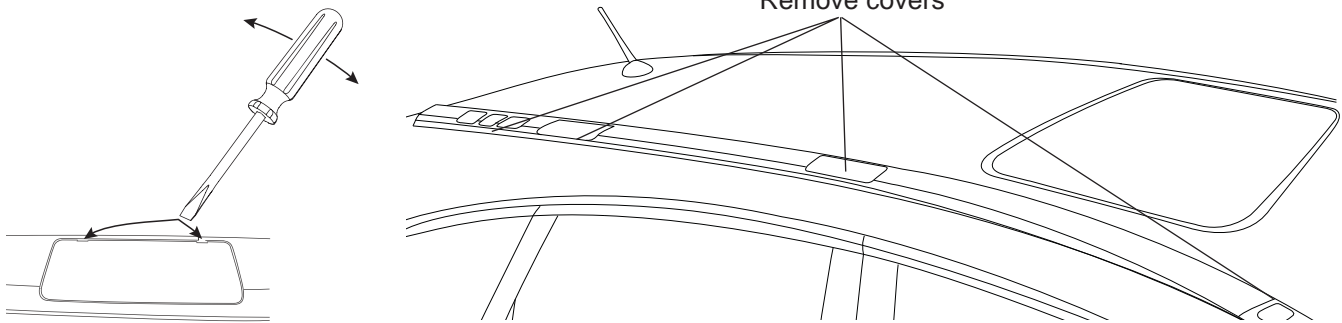
Item	Component Name	Qty	Part No.
1	M6 x 30mm Hex Setscrew	4	B202
2	M6 Spring Washer	4	W004
3	M6 x 16mm Flat Washer	4	W031
4	M8 Tube Nuts	8	N049
5	Honda CRV FL Mounting Pad	1	M341
6	Honda CRV FR Mounting Pad	1	M342
7	Honda CRV RL Mounting Pad	1	M343
8	Honda CRV RR Mounting Pad	1	M344
9	U-Shaped Rubber Strip	4	R017-80
10	Mount Point Cover Plate	4	M126
11	5mm Allen Key	1	H021
12	M6 Washer (used on cover plate)	4	W003
13	Fitting Instruction	1	R1284

Tools required: Allen key, included. 10mm socket wrench.



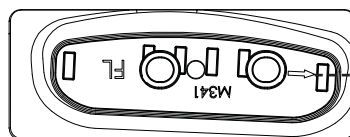
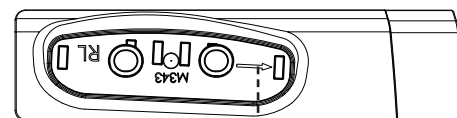
Instructions

- 1** Remove eight roof trim covers, four to access adjustment screws and four to allow base pads to be installed. Use a flat head screwdriver to remove covers.

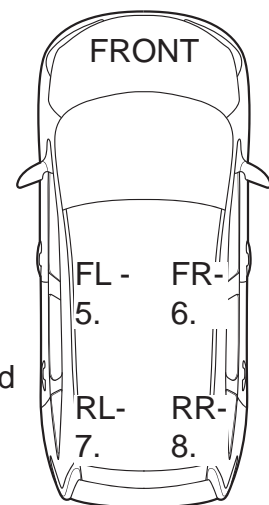


- 2** Arrows on base pads must point towards front of vehicle when installed.

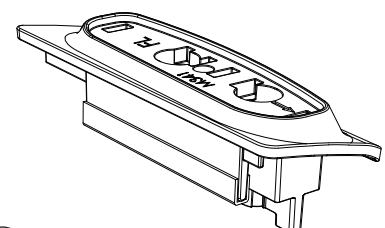
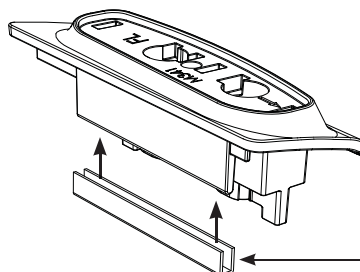
FL = Front Left - item 5
 FR = Front Right - item 6
 RL = Rear Left - item 7
 RR = Rear Right - item 8



Base pad
arrows forward



- 3** Slide a rubber strip onto each base pad.



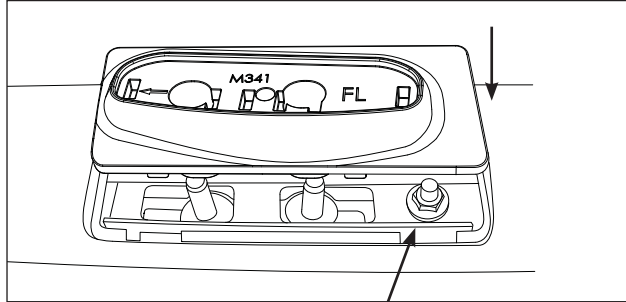
9



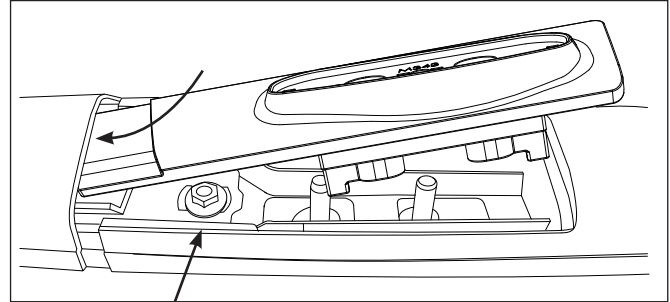
RCP15-BK - HONDA CR-V

4

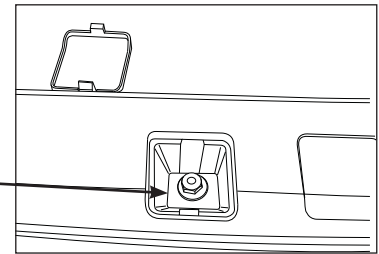
- Loosen 8 x roof trim adjustment nuts to help with alignment of Front & Rear base pads.
- Place Front & Rear base pads in position.
- Position roof trim so pads sit correctly.
- Remove Front & Rear base pads.
- Tighten roof trim adjustment nuts. 3-4 Nm (2-3 lb/ft).
- Re-fit Front & Rear base pads.



x 2
FRONT Left
FRONT Right



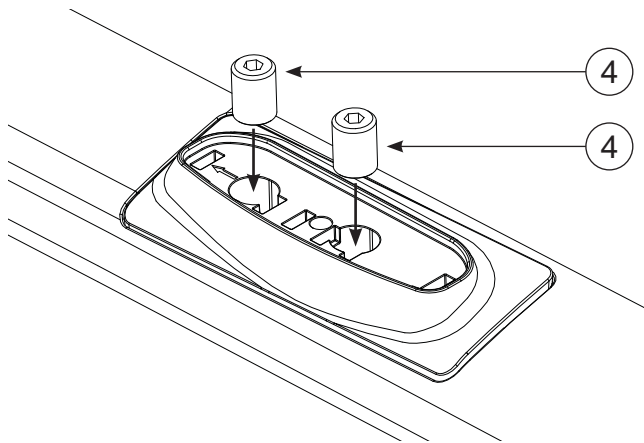
x 2
REAR Left
REAR Right



x 4
FRONT
REAR

5

- Fasten all four base pads with M8 tube nuts. 3-4 Nm (2-3 lb/ft). Use 5mm Allen key supplied.



6

- Fix the crossbars to the vehicle using the M6 x 30mm hex setscrew, M6 spring washer and flat washer provided as per corresponding instructions. When crossbars are not in use, remove and install the mount point cover plates as shown.

