

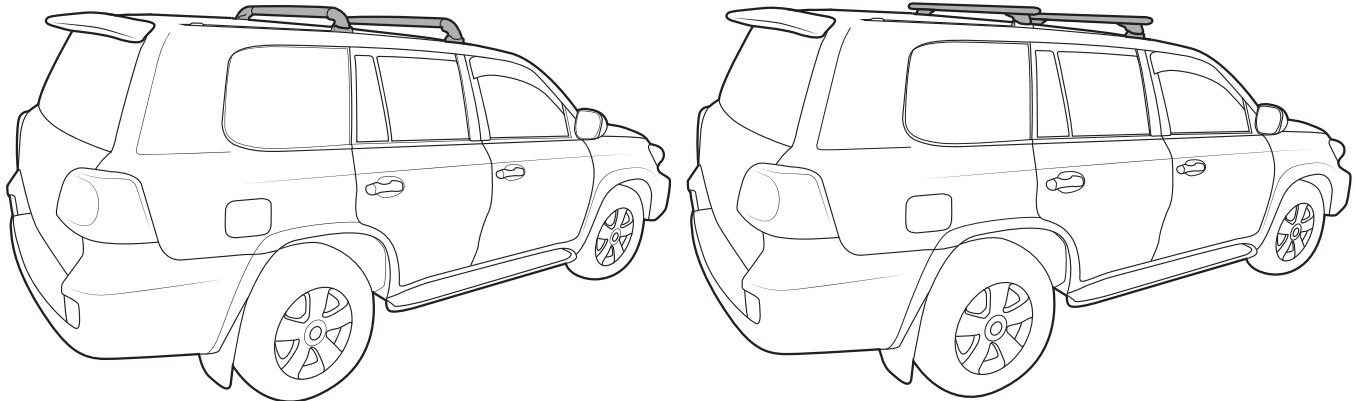


RHINO-RACK

RCP02-BK/ RCP02F-BK Toyota Landcruiser 100

Place these instructions in the vehicle's glove box after installation is complete.

Important: Please read these instructions carefully prior to installation. Please refer to your fitting instruction to ensure that the roof racks are installed in the correct locations. Check the contents of kit before commencing fitment and report any discrepancies.



Note: Crossbars and legs sold as separate.

Important Information

1. Check Part No./Kit is correct
2. Read through instruction before installing
3. Fit roof rack accessory
4. Check and recheck all fasteners are secure

Note: Be sure to check the Rhino-Rack website to see if you have the latest version of instructions before beginning installation.

Maximum carrying capacity: 80kg (176lbs) for 2 crossbars.

It is essential that all bolt connections be checked after driving a short distance when you first install your cross bars. Bolt connections should be checked again at regular intervals (probably once a week is enough, depending on road conditions, usage, loads and distances travelled). You should also check the cross bars each time they are refitted.

Make sure to fasten your load securely. Please ensure that all loads are evenly distributed and that the centre of gravity is kept as low as possible. **Use only non-stretch fastening ropes or straps.**

Sensitivity to cross winds, behaviour in curves and braking.

The handling characteristics of the vehicle, changes when you transport a load on the roof. For safety reasons, we recommend you exercise extreme care when transporting wind-resisting loads; special consideration must be taken into account when braking.

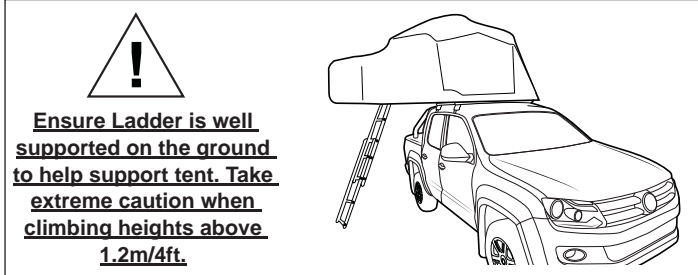
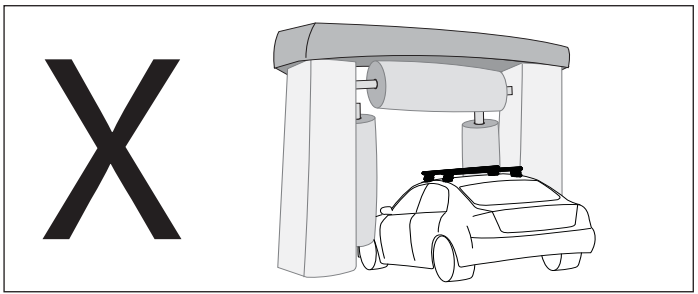
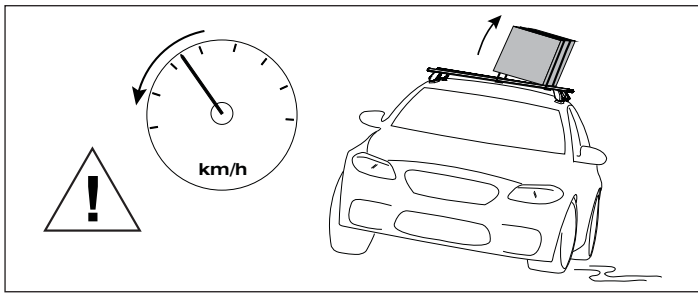
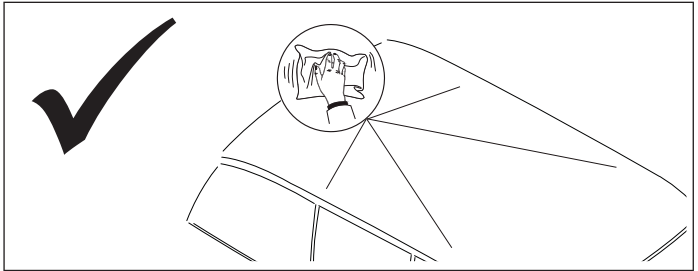
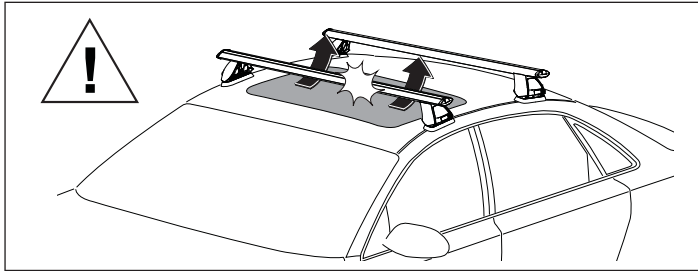
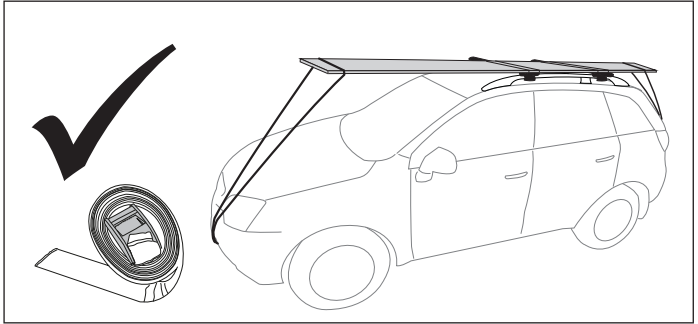
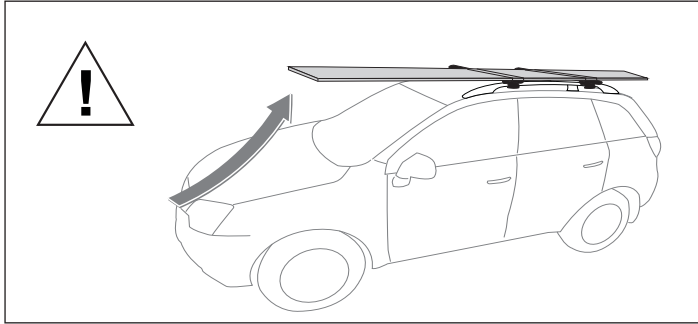
Please remove cross bars when putting vehicle through an automatic car wash.

Load rating.

Maximum permissible load is per pair of cross bars is **80kg (176lbs)** (include the weight of the roof racks, 5kg). When crossbars are to be used in off-road conditions, please build a safety factor of 1.5 into this load limit, (53kg/116lbs for off-road use). Although the roof racks are tested and approved to AS1235-2000, Australian road conditions can be much more rigorous. However, increasing the number of cross bars does not increase the vehicles maximum permissible roof loading.



RCP02-BK/ RCP02F-BK Toyota Landcruiser 100

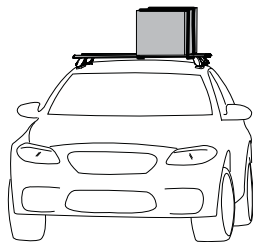


Ensure Ladder is well supported on the ground to help support tent. Take extreme caution when climbing heights above 1.2m/4ft.

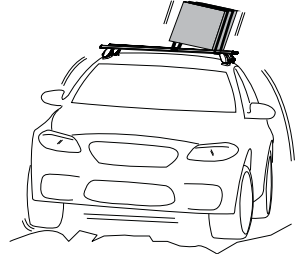


It is required for Clam Shell Roof Top Tents to use a 3 Crossbar System.

When these roof racks are to be used on a vehicle that is driven off sealed roads the maximum load rating must be divided by 1.5. Remember to subtract the weight of the roof racks to determine your maximum permissible load capacity.



3 bars 120kg (246lbs) load rating (Urban road) = 2 bars 80kg (176lbs) load rating (Off road)
Load rating not taking into account crossbar weight - 5kg



WARNING! Important Load Carrying Instructions

With utility vehicles, the cabin and the canopy move independently. Roof racks and vehicle can be damaged if the item transported is rigidly fixed at points on both the cabin and canopy. Instead, rigidly fix to either the cabin roof racks or the canopy roof racks.

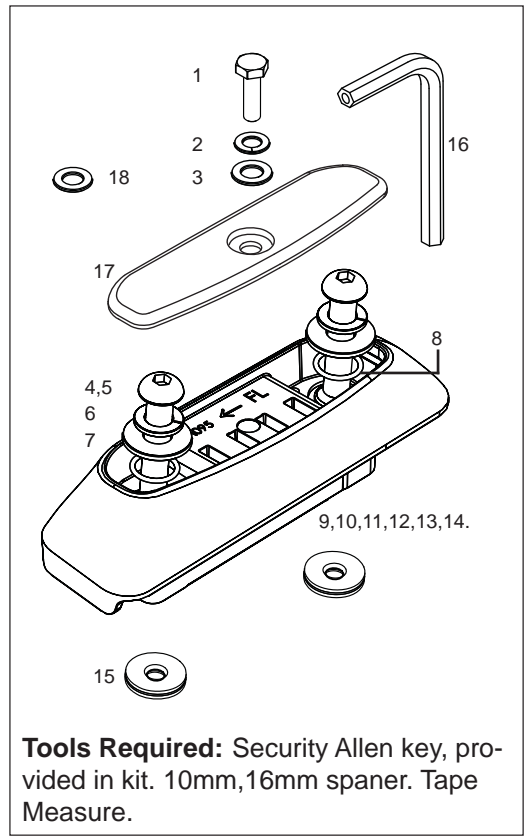
Paddle/ Surfboards should be fixed to the front of the vehicle.



RCP02-BK/ RCP02F-BK Toyota Landcruiser 100

Parts List

Item	Component Name	F Bar Qty	3 Bar Qty	Part No.
1	M6 x 30 Hex Setscrew	2	6	B202
2	M6 Spring Washer	2	6	W004
3	M6 Flat Washer 16mm	2	6	W031
4	M8 x 50mm Button Head Screw	4	8	B126
5	M8 x 40mm Button Head Screw	-	4	B127
6	M8 Spring Washer	4	12	W019
7	M8 Flat Washer	4	12	W030
8	O-Ring	4	12	C299
9	Front Left Mounting Pad with Gasket	1	1	M095
10	Front Right Mounting Pad with Gasket	1	1	M096
11	Middle Left Mounting Pad with Gasket	-	1	M097
12	Middle Right Mounting Pad with Gasket	-	1	M098
13	Rear Right Mounting Pad with Gasket	-	1	M100
14	Rear Left Mounting Pad with Gasket	-	1	M099
15	Gasket Washer	4	12	C372
16	5mm Security Allen Key	1	1	H021
17	Cover Plate	2	6	M126
18	M6 Washer (used on cover plate)	2	6	W003
19	Fitting Instructions	1	1	R1303



Instructions

1 Remove the roof rack attachment point covers, exposed bolts and brackets. Store covers, bolts and brackets for future use if racks are removed.

NOTE: The existing bolts and washers are not used to fit the mounting pads.

2 Each mounting pad is identified with a part number, position code and direction arrow. The arrow must point toward the front of the vehicle.

The mounting pad position codes are as follows:

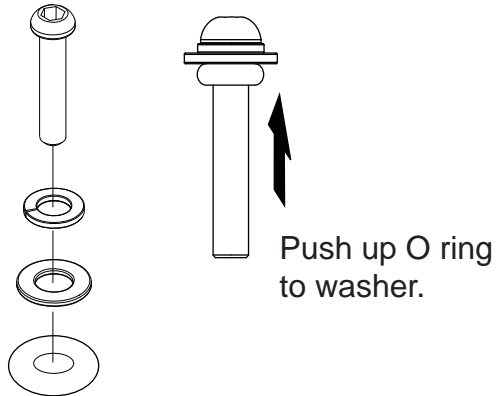
- FL - Front left side pad
- FR - Front right side pad
- ML - Middle left side pad
- MR - Middle right side pad
- RL - Rear Left side pad
- RR - Rear Right side pad

3 Using the mounting pad layout pictured below as a guide, place the pads onto their respective positions.

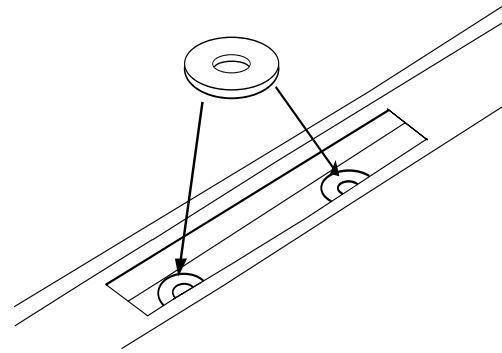


RCP02-BK/ RCP02F-BK Toyota Landcruiser 100

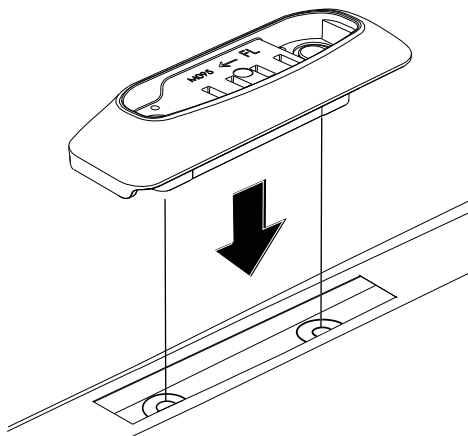
4 Place the M8 spring and flat washer onto the M8 screw. Place the O ring onto the screw and push the O ring up against the flat washer. The front and rear mounting pads use M8 x 50mm button head screws and the middle-mounting pads use M8 x 40mm button head screws.



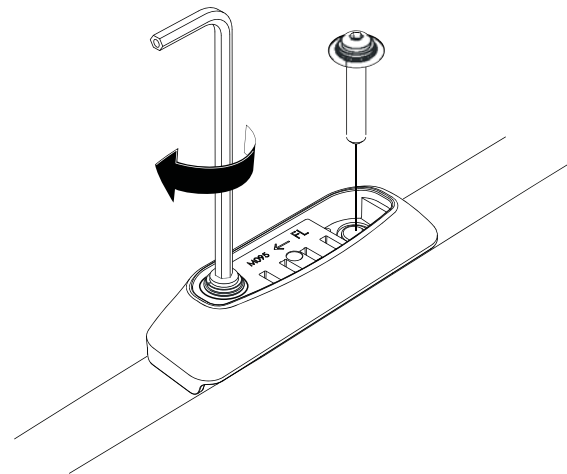
5 Place the mounting pad washer gasket in the gutter recess and align the hole in the washer gasket with the mounting pad nutserts.



6 Insert the mounting pad through the cover trim and into the roof gutter at the positions shown on the roof layout (step 3). Ensure that the arrows on the pads are pointing to the front of the vehicle and the holes in the washer gasket are aligned with the mounting pad holes.



7 Insert the assembled M8 screws through the mounting pads and screw into the nutserts in the vehicles roof. Tighten all screws using the allen key provided. Recommended tightening torque 15Nm. **DO NOT OVER TIGHTEN.**



10 When crossbars are not in use, install the pad mount cover plates as shown.

