

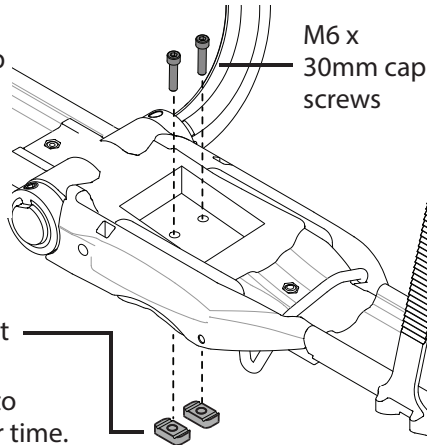


# RHINO-RACK

## RBCA035 Heavy Duty Fit Kit for RBC050.

Item	Component Name	Qty	Part No.
1	M6 x 30mm Cap Screw	2	B047
2	M6 x 20mm Cap Screw	1	B054
3	M6 Spring Washer	1	W004
4	M6 x 12.5mm Flat Washer	1	W003
5	M6 Channel Nut	3	N002
6	Instructions	1	R908

- 1** Loosely fit the M6 x 30mm cap screws with M6 square nuts to the front of the carrier.

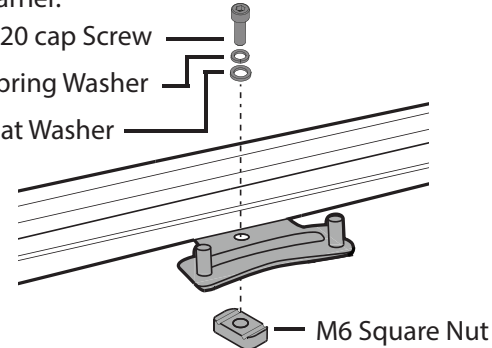


- 2** Loosely fit the M6 x 20mm cap screw, spring and flat washers with an M6 channel nut to the rear of the carrier.

M6 x 20 cap Screw

M6 Spring Washer

M6 Flat Washer



- 3** Slide the carrier into the C channel of the crossbars as shown. Using the allen key provided in RBC050, fix the carrier into place. Check fitment is secure before use.

