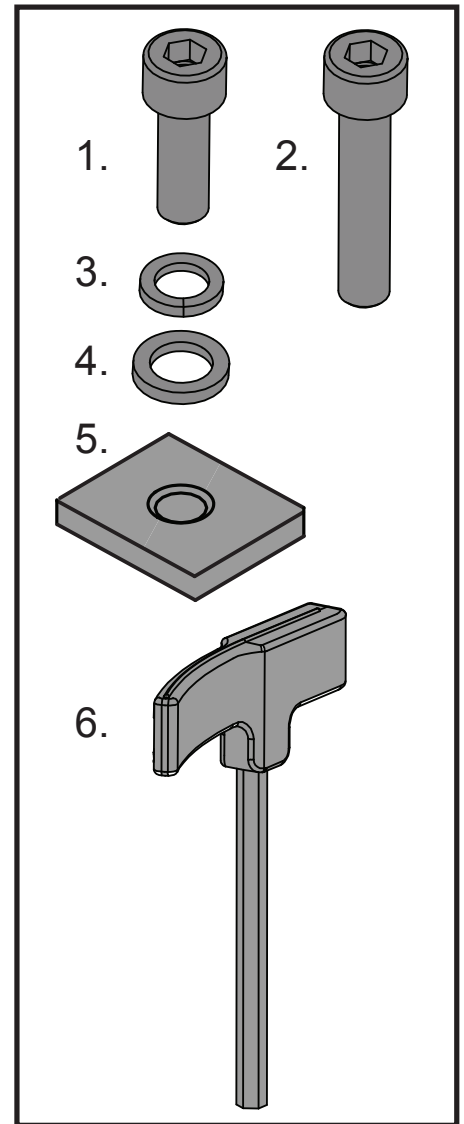




RHINO-RACK

RBCA034 VA Fit Kit for RBC050.

Item	Component Name	Qty	Part No.
1	M6 x 16mm Cap Screw	1	B031
2	M6 x 25mm Cap Screw	2	B039
3	M6 Spring Washer	1	W004
4	M6 x 12.5mm Flat Washer	1	W003
5	M6 x Square Washer	3	N025
6	Torque Allen Key	1	TORKEY-S
7	Instructions	1	R909



Note: Fitting instructions found in RBC050 main instruction (step 9,10 and 11 on page 9).