



# RHINO-RACK

## Rhino-Rack Rocky Mount Bike Carrier Fat Wheel Adaptor Kit (RBCA033)

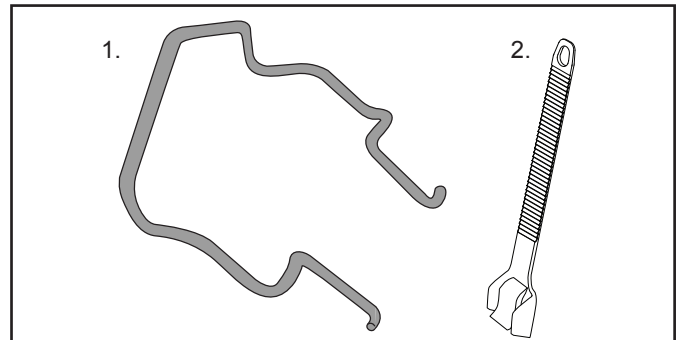
### Parts List

Item	Component Name	Qty	Part No.
1	Fat Bike Wheel Chock	1	CA1493
2	Wheel Strap Extension	2	CA1494
3	Instructions	1	R475

**Note:**

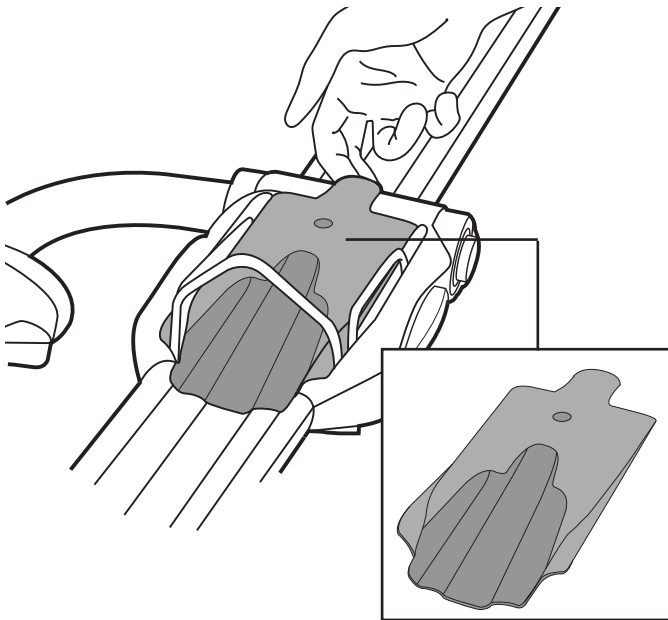
RBCA033 Fat Bike Adaptor designed for use with RBC050

Rhino Rocky Mount Bike Carrier.

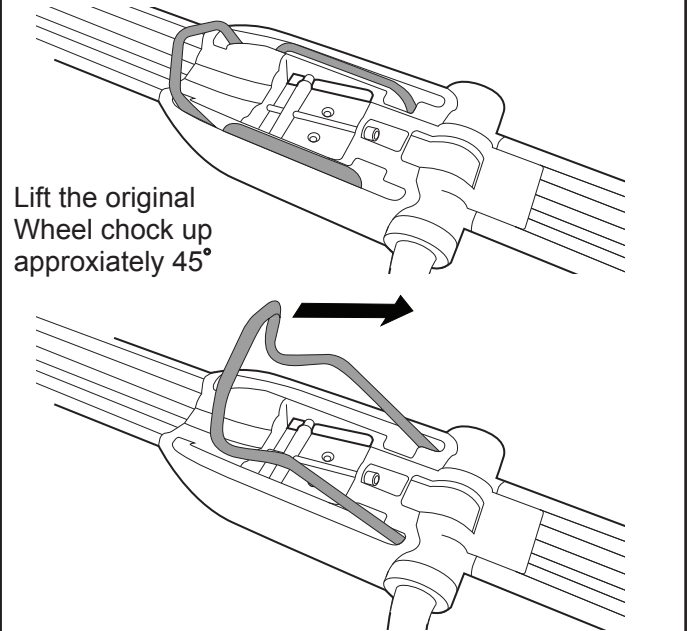


### Instructions

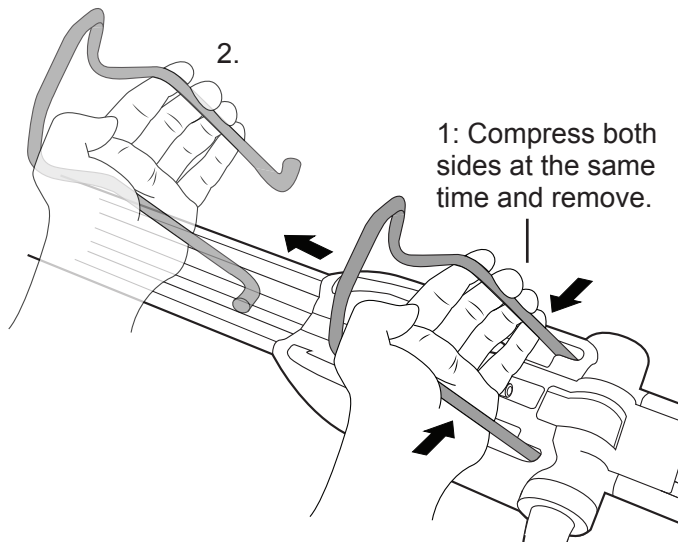
**1** Remove the Cover Plate on the Arm Assembly.



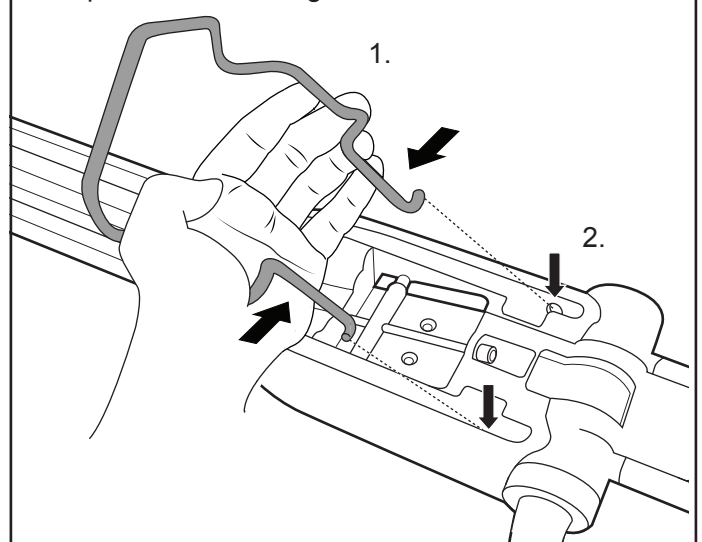
**2** Lift the Wheel Chock up partially.



**3** 1: Compress both sides of the Wheel Chock inwards. 2: This with release it from the Carrier. Remove the Chock.



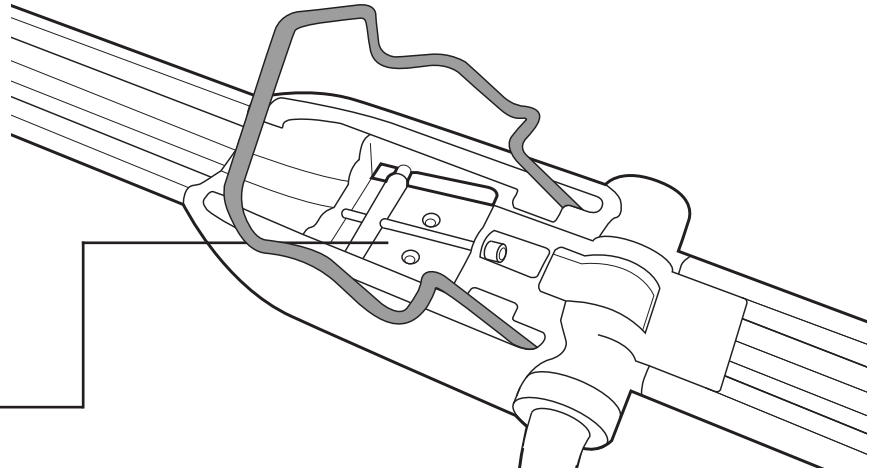
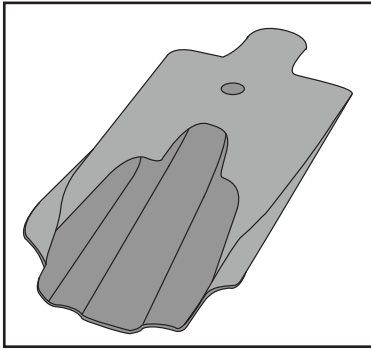
**4** Compress both sides of the Fat Wheel Chock inwards. Slide it into the same orientation and position as the original Chock.





## Rhino-Rack Rocky Mount Bike Carrier Fat Wheel Adaptor Kit (RBCA033)

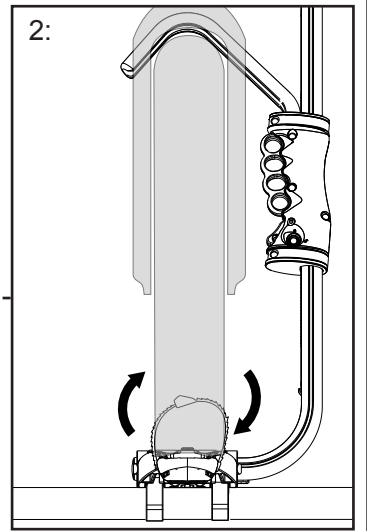
- 5** Replace the Cover Plate onto the Carrier.



- 6** 1: Slide the Wheel Strap Extension over the Wheel straps already fixed to the Carrier.

2: Secure the Extended Wheel Straps both front and rear of the Bike. Be sure both fittings are secure.

2:



1:

