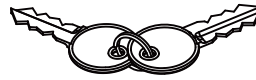
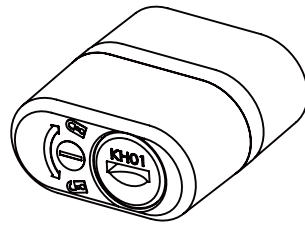


# RHINO-RACK

## Rhino-Rack 2" Hitch Receiver Locking Pin (RBCA025)

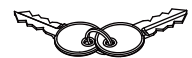
**Important:** Please read these instructions carefully prior to installation. Please refer to your fitting instruction to ensure that the bike rack is installed in the correct locations. Check the contents of kit before commencing fitment and report any discrepancies. Place these instructions in the vehicle's glove box after installation is complete.

### Layout



ONLY for use with Rhino Rack 2" Hitch accessories.

Record your key number here for future reference, in case of misplaced or lost keys



### Important Information

Please refer to your vehicle manufacturers handbook for maximum towing capacity. Always use the lower of the two figures.

**Warning:** Do not attempt to fit the locking pin to your vehicle unless you fully understand this fitting instructions. Please direct any questions regarding fitting to the dealer from where the locking pin was purchased.

#### Recommendations:

It is essential that all bolt connections be checked after driving a short distance when you first install your locking pin. Bolt connections should be checked again at regular intervals (once a week is enough, depending on road conditions, usage, loads and distances travelled). You should also check the locking pin each time it is re-fitted. Always make sure to fasten your load securely. Please also ensure that all loads are evenly distributed and that the centre of gravity is kept as low as possible.

**Caution:** The handling characteristics of the vehicle changes when you transport a load on the roof or at the rear. For safety reasons we recommend you exercise extreme care when transporting wind-resistant loads. Special consideration must be taken into account when cornering and braking.

#### Note for Dealers and Fitters

It is your responsibility to ensure this fitting instruction is given to the end user or client

These instructions remain the property of Rhino-Rack Australia Pty Ltd and may not be used or changed for any other purpose than intended.

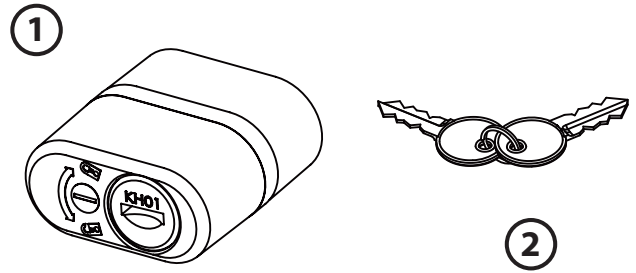


# Rhino-Rack 2" Hitch Receiver Locking Pin (RBCA025)

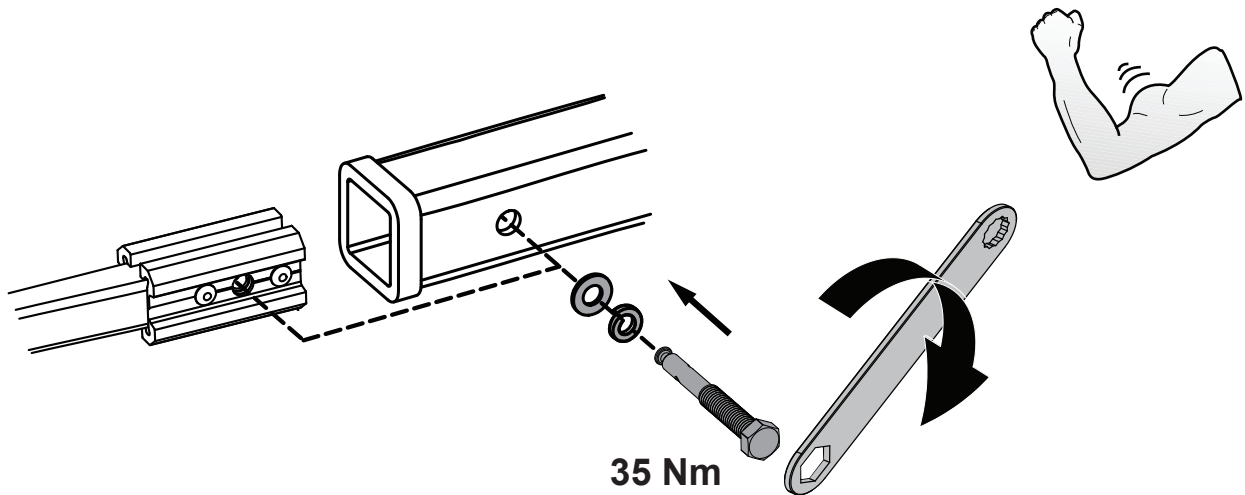
## Parts List

Item	Component Name	Qty
1	Lock Barrell	1
2	Key	2
3	Fitting Instructions	1

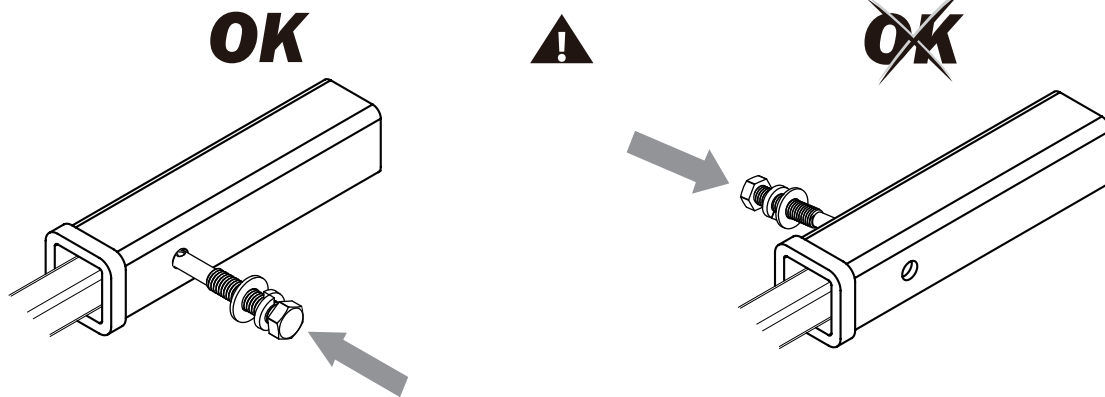
**Tools Required:**  
15mm Spanner



**1**



**2**



**3**

