

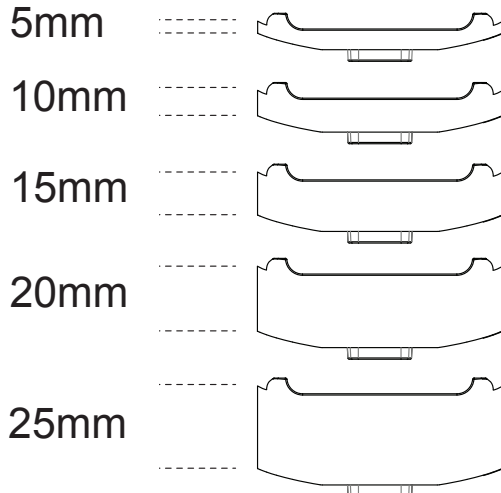


RHINO-RACK

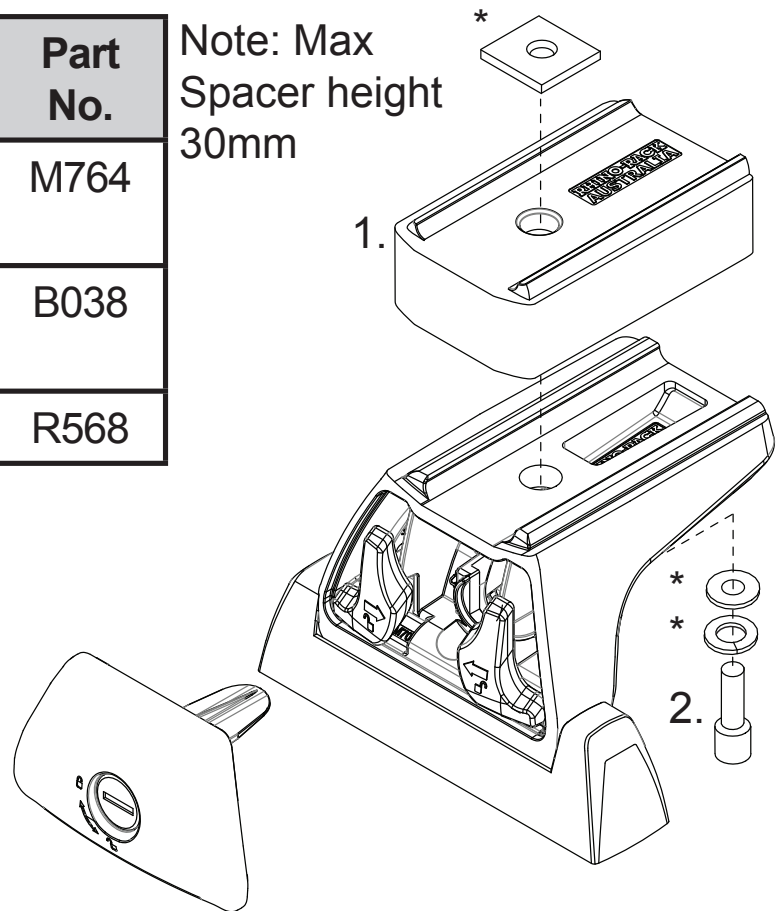
QMVA25

Item	Component Name	Qty	Part No.
1	Quick Mount VA 25mm Spacer	2	M764
2	M6x45 Socket HD Cap Screw	2	B038
3	Instructions	1	R568

Quick Mount Spacers can be combined to achieve a desired height.



Note: Max
Spacer height
30mm



*Fix the Quick Mount Spacer to the Leg using the hardware in the leg kit. The bolts found in the spacer kit will replace the original in the leg kit.