

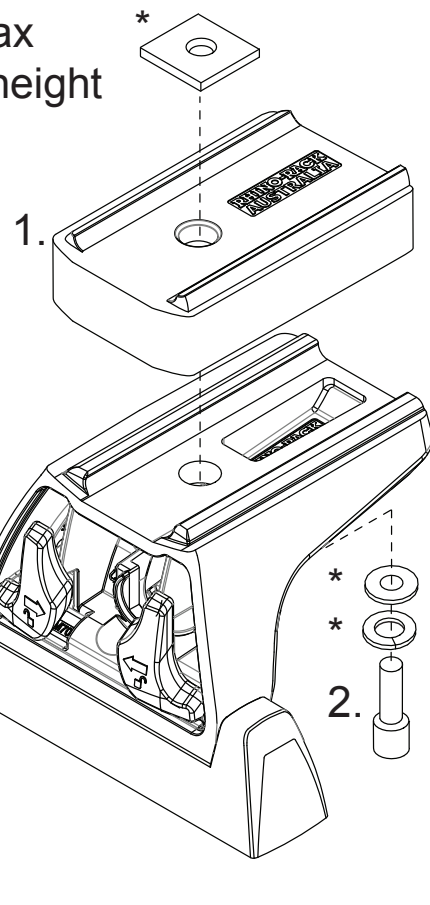


RHINO-RACK

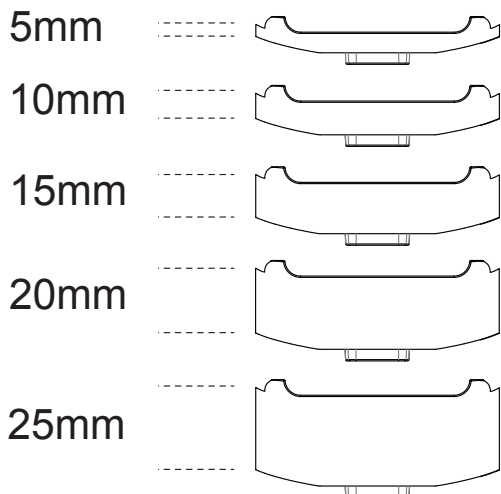
QMVA20

Item	Component Name	Qty	Part No.
1	Quick Mount VA 20mm Spacer	2	M763
2	M6x40 Socket HD Cap Screw	2	B033
3	Instructions	1	R567

Note: Max
Spacer height
30mm



Quick Mount Spacers can be combined to achieve a desired height.



*Fix the Quick Mount Spacer to the Leg using the hardware in the leg kit. The bolts found in the spacer kit will replace the original in the leg kit.