



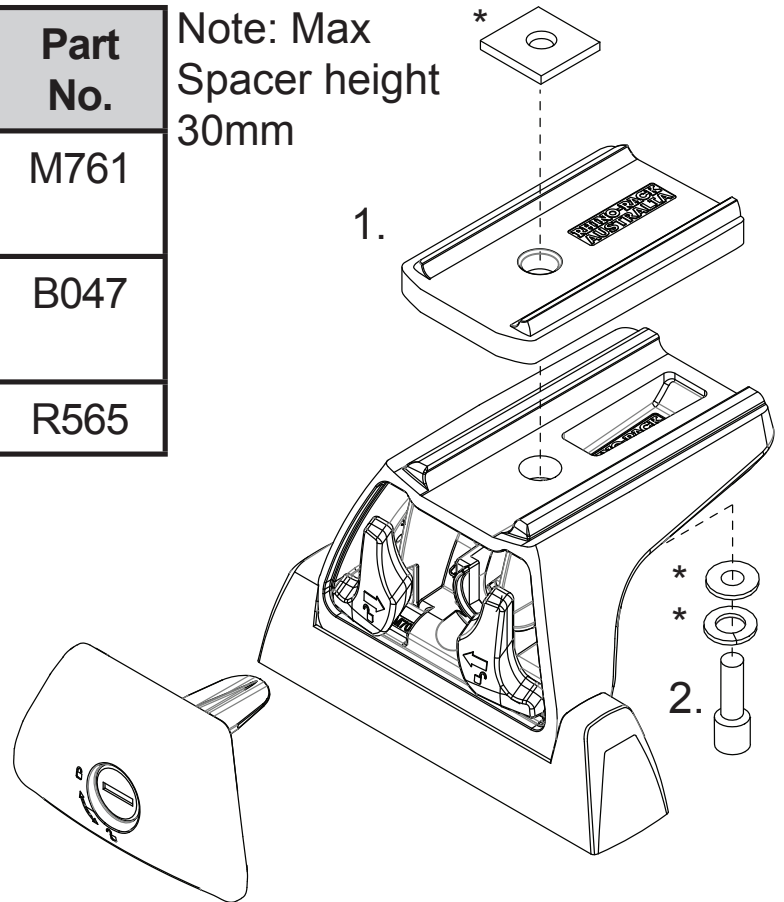
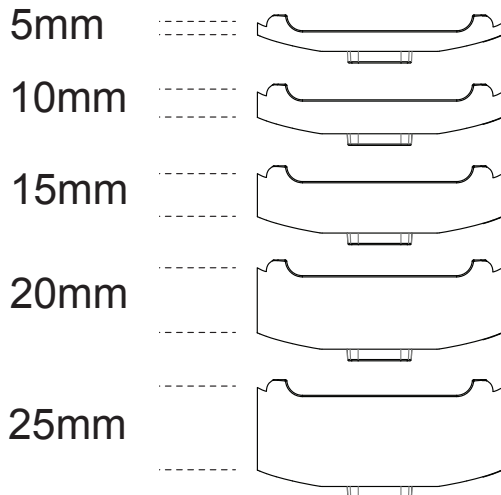
# RHINO-RACK

## QMVA10

Item	Component Name	Qty	Part No.
1	Quick Mount VA 10mm Spacer	2	M761
2	M6x30 Socket HD Cap Screw	2	B047
3	Instructions	1	R565

Note: Max  
Spacer height  
30mm

Quick Mount Spacers can be  
combined to achieve a desired  
height.



\*Fix the Quick Mount Spacer to the Leg  
using the hardware in the leg kit. The  
bolts found in the spacer kit will replace  
the original in the leg kit.