



RHINO-RACK

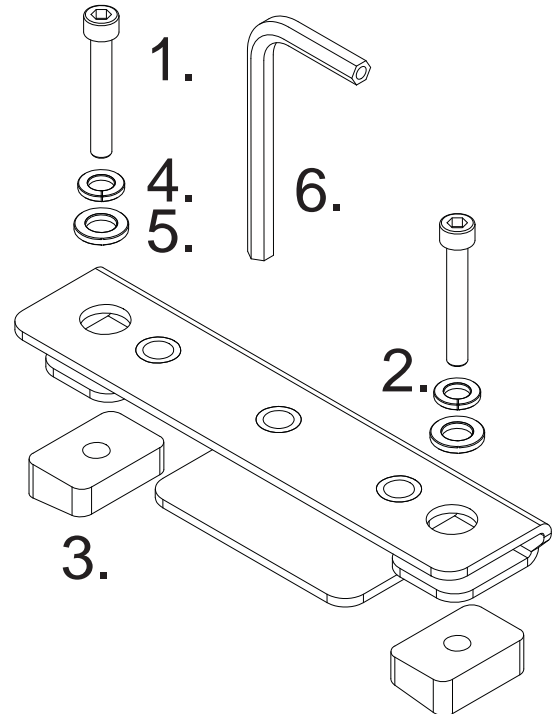
QMFK20

Please refer to 'Fit My Car' on the Rhino-Rack web site for comprehensive instructions on fitting racks to your vehicle.

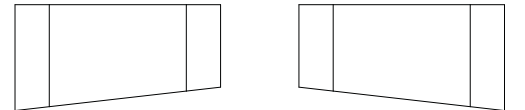
***Note:** RLT600 Parts as separate.

- Place nuts under factory brackets.
- Install M6 hardware.
- Check fixtures are secure before use.
- Fasten RLT600 base as per instructions.

Item	Component Name	Qty	Part No.
1	M6 x 20 Socket Screw	4	B054
2	Nissan NV Bracket	2	CA1649
3	M6 Angled Nut	4	N048
4	M6 Spring Washer	4	W004
5	M6 x 12.5mm Flat Washer	4	W003
6	5mm Allen Key	1	H021
7	Instructions	1	R1456



Front view: Be aware of correct nut orientation.



Accept no compromises, choose only quality roof racks.