



RHINO-RACK

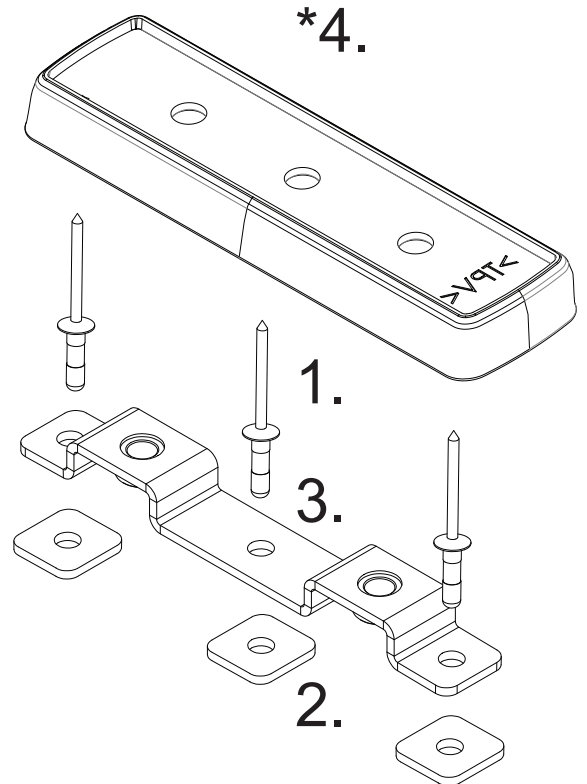
QMFK15

Please refer to 'Fit My Car' on the Rhino-Rack web site for comprehensive instructions on fitting racks to your vehicle.

RLT600 Parts as separate.

- Mark hole points through each bracket.
- Centre punch marked hole positions.
- Drill Ø5mm holes.
- Vacuum swarf and clean after drilling.
- Apply Cold Galvanising paint to holes.
- Apply Butyl patches concentric with each drilled hole.
- Locate the rivets through each bracket into drilled holes. Set all rivets.
- Fasten RLT600 base as per instructions.

| Item | Component Name | Qty | Part No. |
|------|-----------------------------|-----|----------|
| 1 | Stavex Rivet BS 11 4.8mm | 6 | H060 |
| 2 | Butyl Patch | 6 | CA1397 |
| 3 | Quick Mount Bracket | 2 | CA1499 |
| 4 | RLT600 Skirt High | 2 | M829 |
| 5 | Instructions | 1 | R1014 |



***Note:** RLT600 skirt is optional and for aesthetic purposes only.