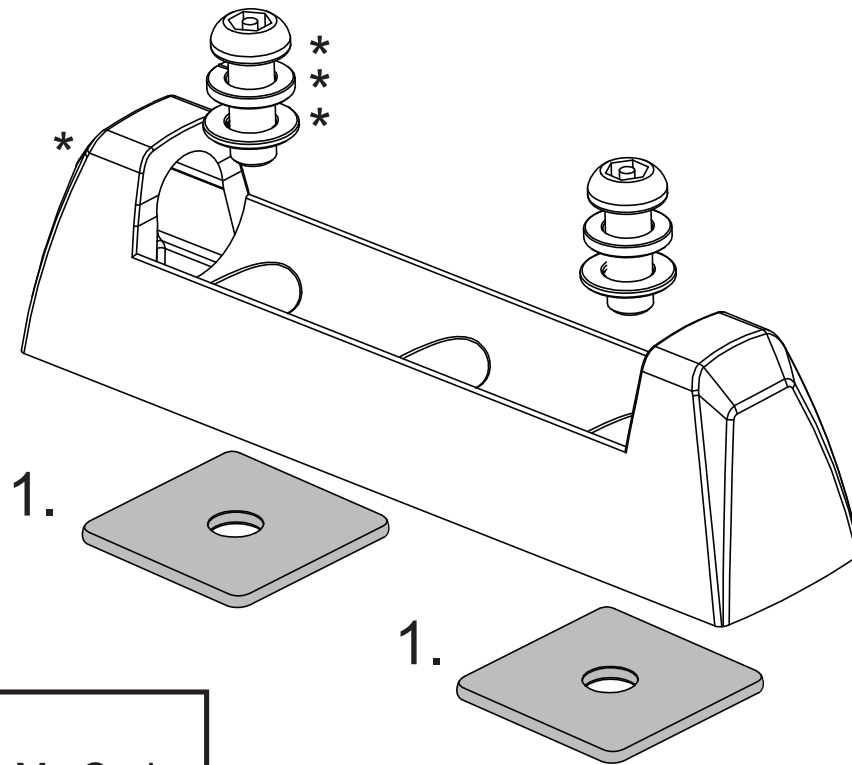




RHINO-RACK

QMFK11



Note:

Please refer to 'Fit My Car' on the Rhino-Rack web site for comprehensive instructions on fitting racks to your vehicle.

*RLT600 Parts as separate.

Item	Component	Qty	Part No.
1	M6 Nut 30x25x5mm	4	N035A
2	Instructions	1	R1008

Accept no compromises, choose only quality roof racks.