



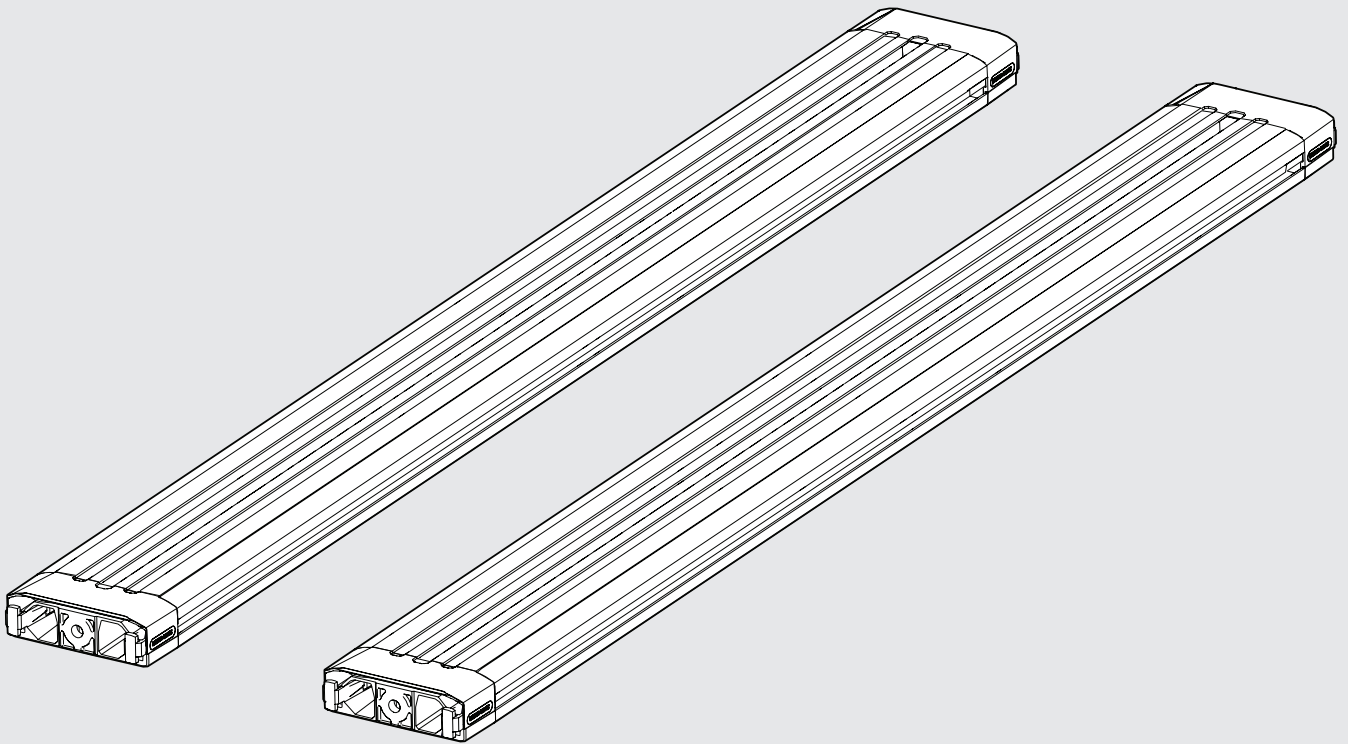
# RHINO-RACK®

## Reconn-Deck NS Bar Instructions RDNSB

**Important:**

1. Check the Rhino-Rack website to ensure you have the latest issue of these instructions.
2. Please refer to your fitting instruction to ensure that the roof racks are installed in the correct locations.
3. Check the contents of kit before commencing fitment and report any discrepancies.
4. Place these instructions in the vehicle's glove box after installation is complete.
5. These instructions must be followed for warranty to be upheld.

**Fit Time:** 30mins

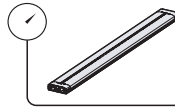


## RDNSB Instructions

### Carrying Capacity

#### Max system load capacity:

Check your vehicle owners hand book for vehicle maximum carrying capacity. Please ensure you use the vehicle manufacturers maximum load allowance if it is lower than the figure listed in this instruction. Load must be evenly distributed over the system.

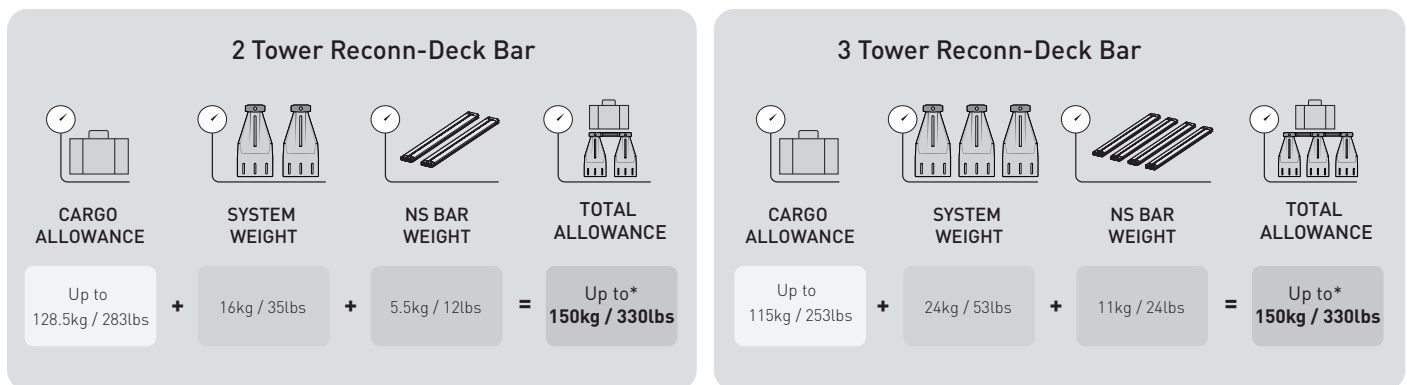


SYSTEM WEIGHT  
(per bar)

2.8kg / 6lbs

#### Custom fit load rating guide:

If you are assembling a custom configuration, not tested by Rhino Rack, ensure you include the total system weight into the vehicle load limit/total allowance. Use the below as a guide to calculate the cargo allowance



\* USE THE VEHICLE MANUFACTURER'S MAXIMUM LOAD ALLOWANCE IF IT IS LOWER THEN THE FIGURE LISTED, AND THEN RE-CALCULATE THE CARGO ALLOWANCE

### Warning

- Check part number or kit is correct for use with your vehicle.
- Do not attempt to fit system to your vehicle unless you fully understand these fitting instructions. Please direct any questions regarding fitting to the dealer from where it was purchased from.
- Off-road conditions can be rigorous. Extreme care must be taken in off road conditions.
- Always ensure you fasten your load securely.
- Use only non-stretch fastening ropes or straps to attach cargo to your load.

### In Service Maintenance Checks

- All bolted connections should be checked after driving a short distance after installation.
- All bolted connections should be checked again at regular intervals ( every 1000k (621mi) is recommended, depending on road conditions, usage, loads and distances travelled). All bolted connections should also be checked each time they are re-fitted.

#### Torque Settings

Unless stated otherwise in these instructions, all fasteners should be set to the following torque settings -

M6: 4-5Nm (3-4lbs/ft),

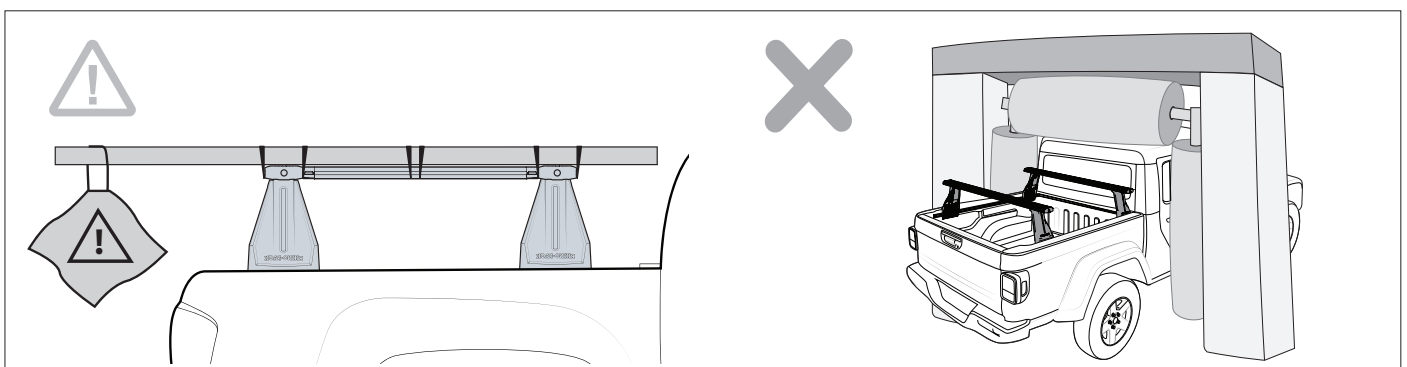
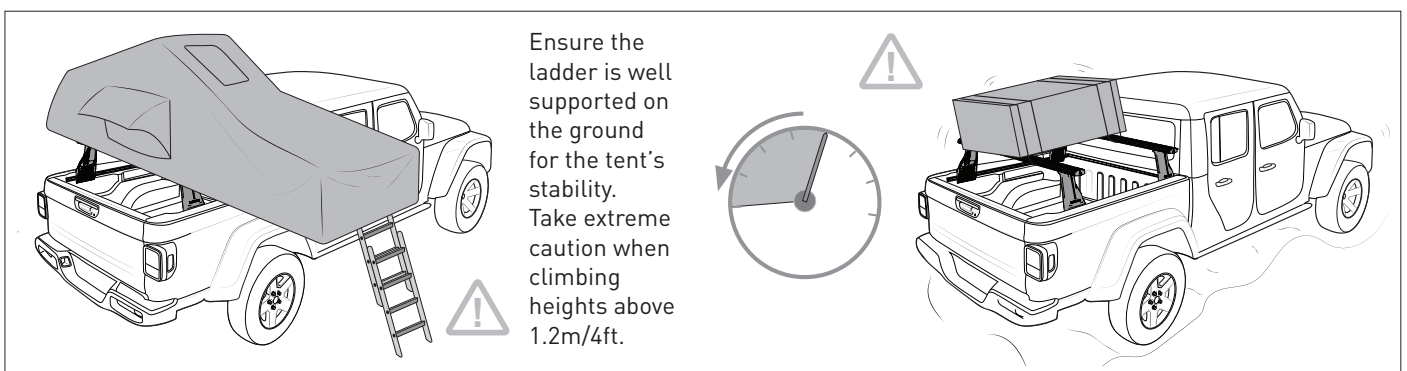
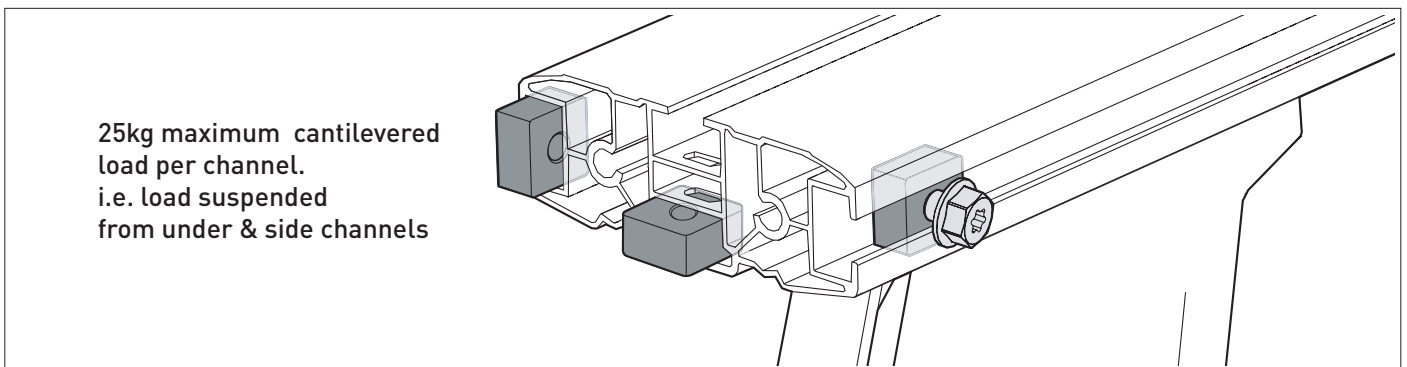
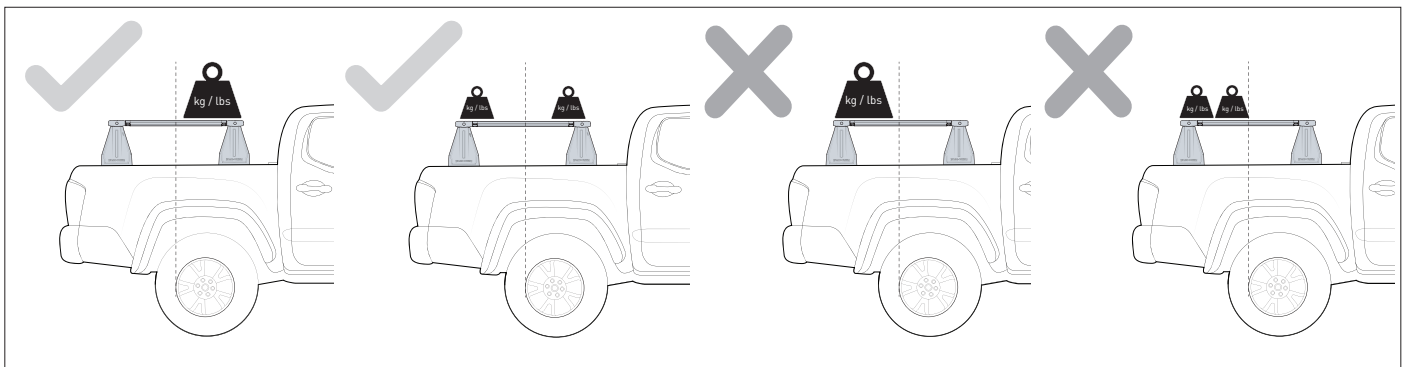
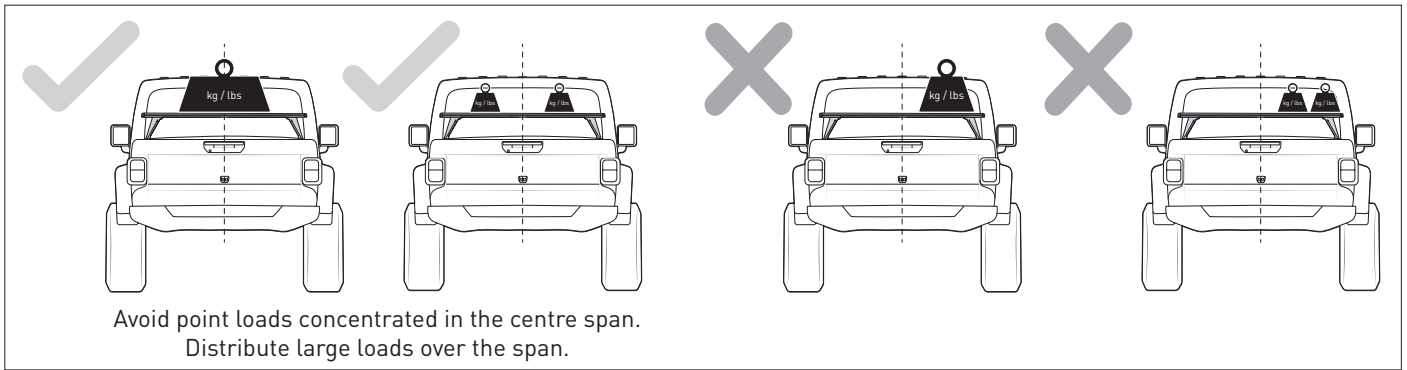
M8: 8-10Nm (6-7.5lbs/ft) and

M10: 16-18Nm (12-13lbs/ft).

### Note for Dealers and Fitters

It is your responsibility to ensure these fitting instructions are given to the end user or client. These instructions remain the property of Rhino-Rack Australia Pty. Ltd. and may not be used or changed for any other purpose than intended.

# RDNSB Instructions

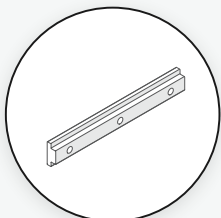


## System Components

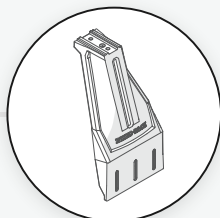
To complete the Reconn-Deck system you will need the base, leg & bar kits (accessories are recommended)

### RECONN-DECK SYSTEM COMPONENTS

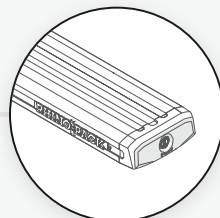
BASE



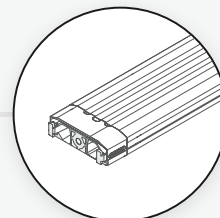
TOWER



BARS

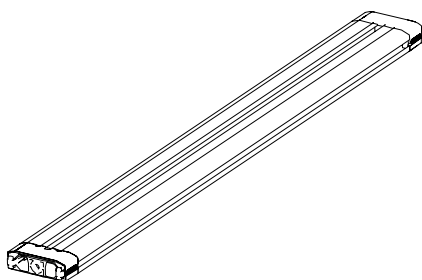


ACCESSORY



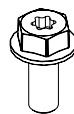
### ACCESSORY Parts List

Reconn-Deck NS Bar Assembly



**A** x2

M8 x 20 Bolt (inside **A**)



**B** x4

M8 Channel Nut (inside **A**)



**C** x4

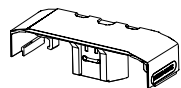
Instruction



**D** x1

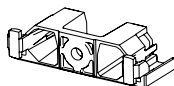
**NOTE:** Below components are preassembled in your kit.

Covers



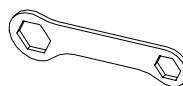
**E** x4

Cross Connector



**F** x4

M6/M8 Spanner (inside **E**)



**G** x2

M8 Flanged Hex Head



**H** x8

#### Tools Required:

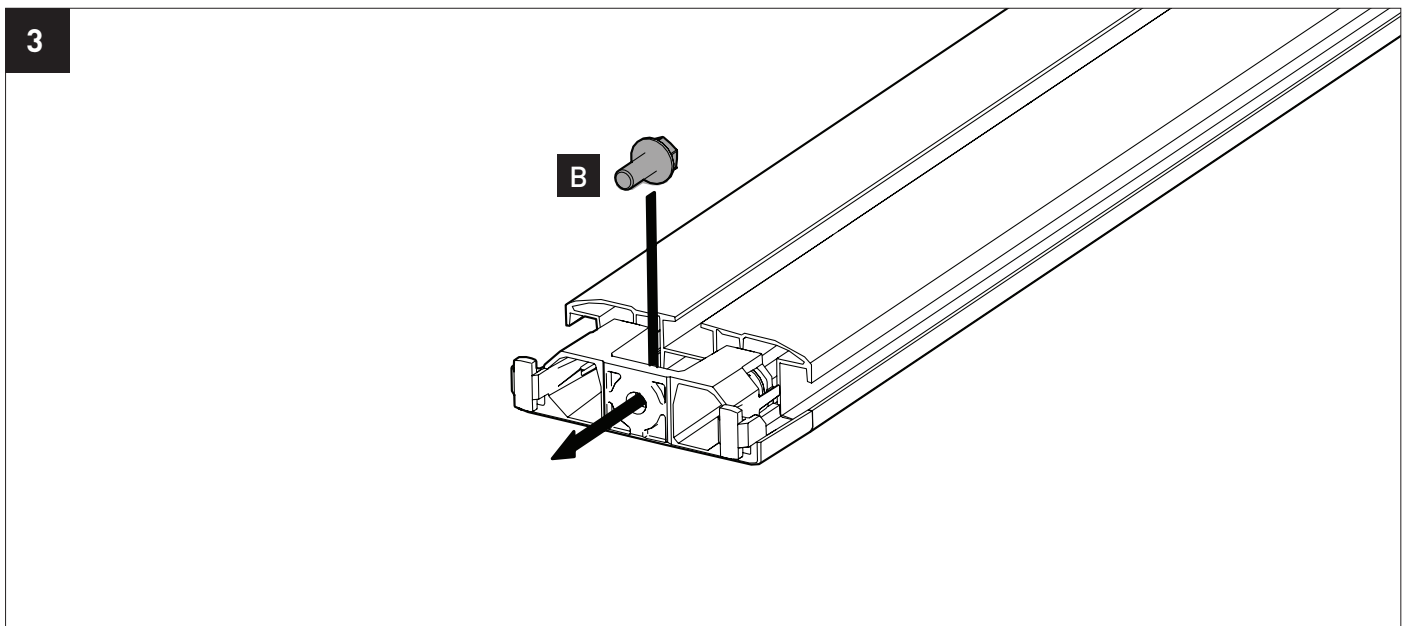
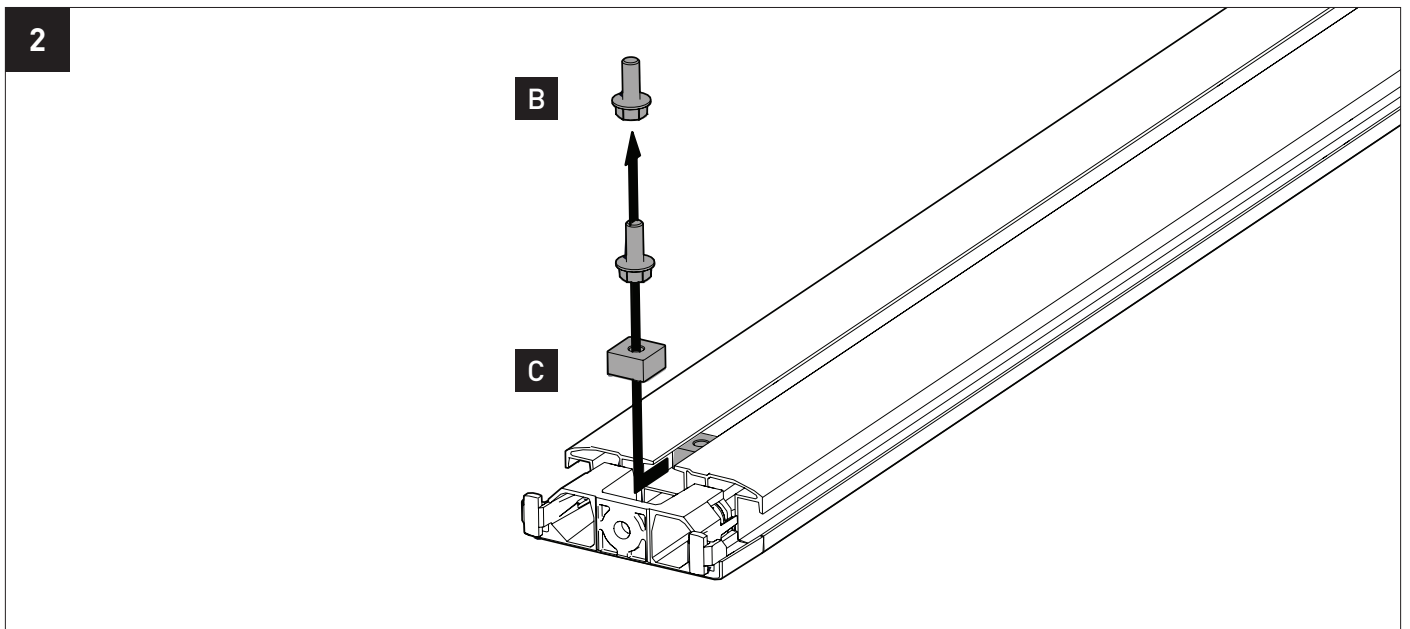
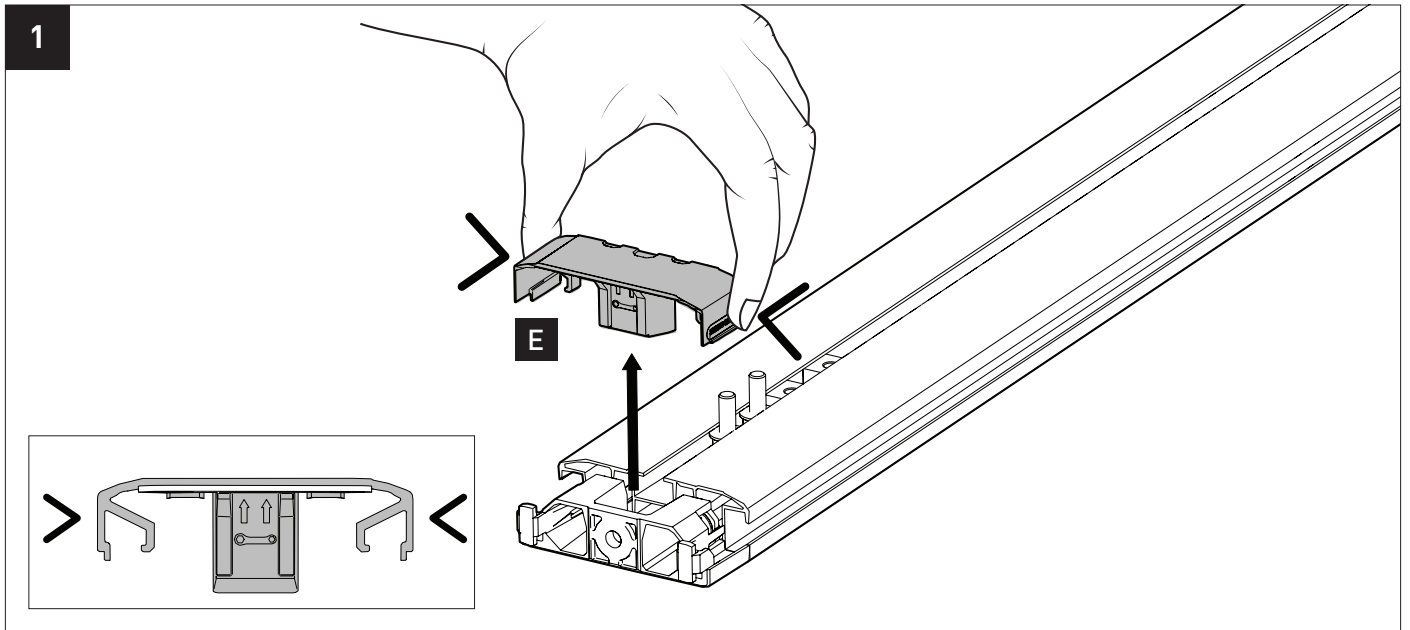
- T1 - Marker (if trimming NS bar)
- T2 - Saw (if trimming NS bar)
- T3 - Tape Measure
- T4 - 13mm Socket wrench
- T5 - Impact Driver with extension and 13mm socket
- T6 - Clamp

#### Safety Gear:

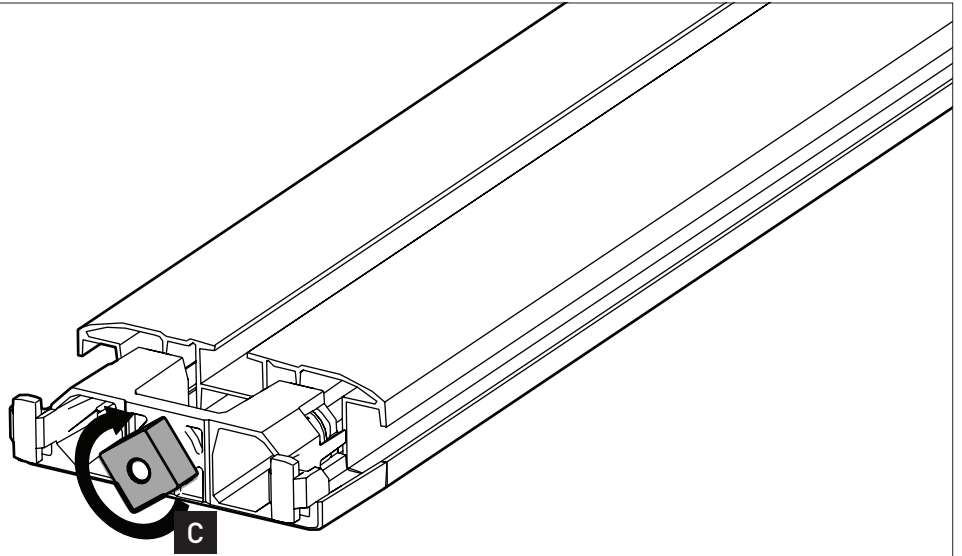


#### NOTES:

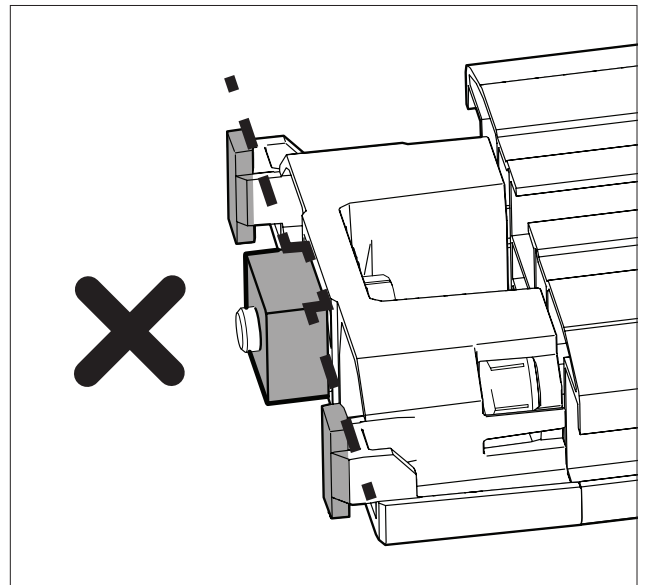
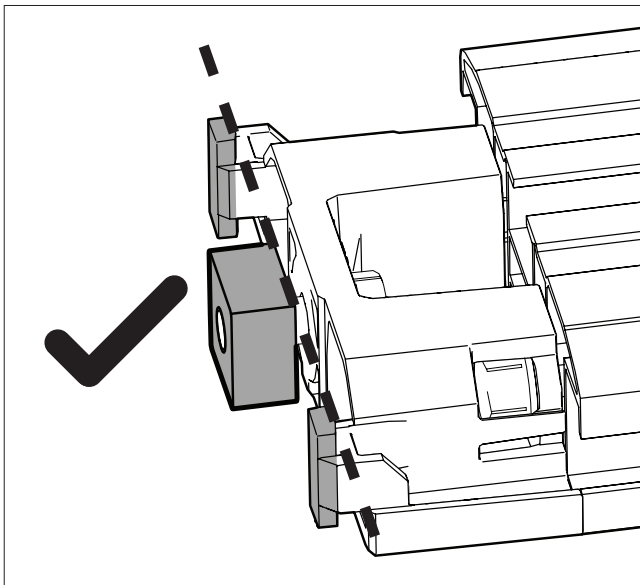
- While we recommend tower positions found on fitting supplements, they are only recommendations and not compulsory.
- You may fit more than two NS bars at any one time.



4

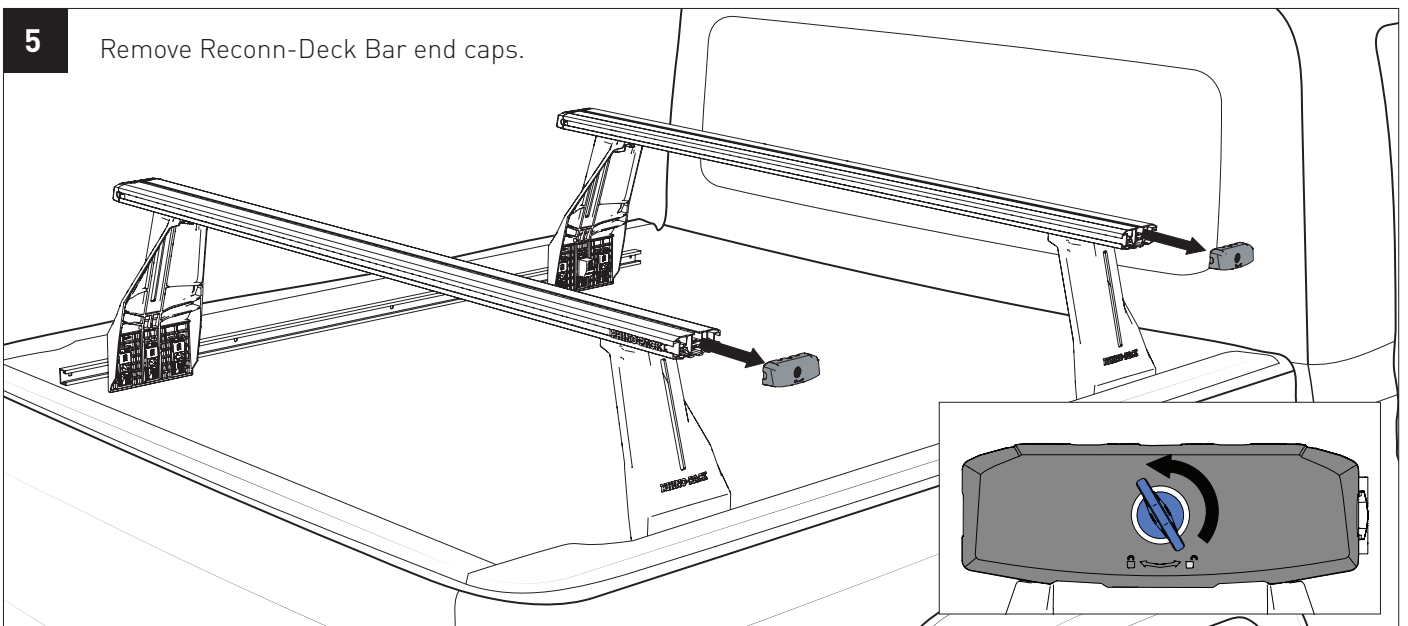


Align with tabs



5

Remove Reconn-Deck Bar end caps.



## RDNSB Instructions

- 6** Determine your tower positions.  
Tower positions vary depending on your vehicle & the bed rack system. When installing:

- **USING RECOMMENDED LEG POSITIONS**

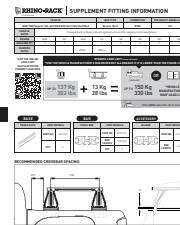
Refer to your vehicle's fitting supplement for its recommended tower positions



rhinorack.com/roof



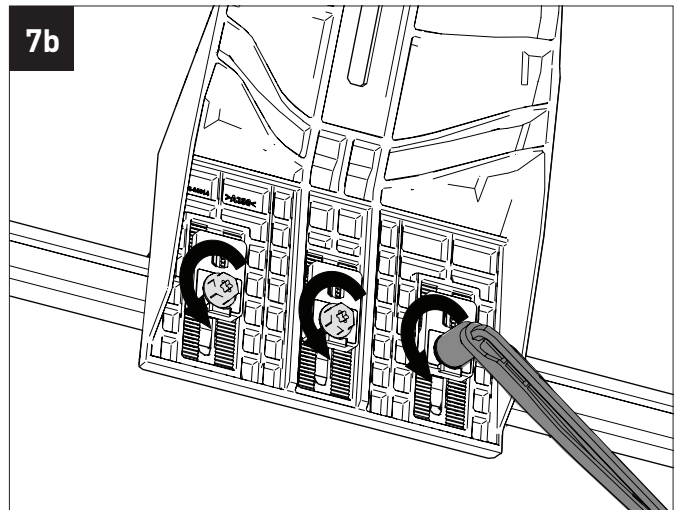
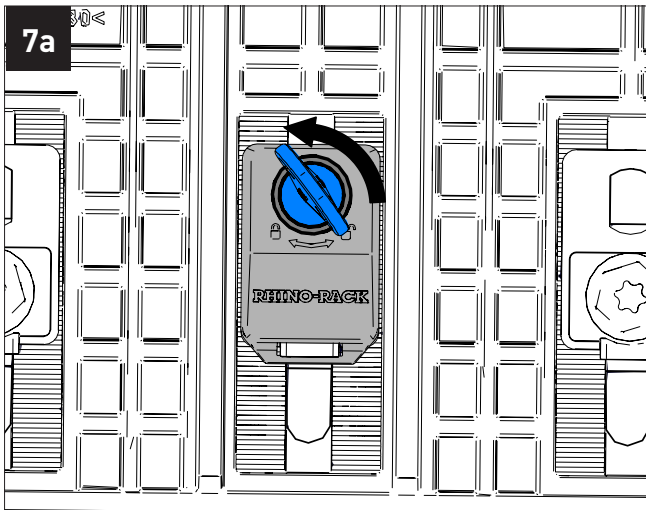
EXAMPLE ONLY



- IF THERE IS NOT A RECOMMENDED TOWER POSITION FOR YOUR VEHICLE/CONFIGURATION, POSITION THE TOWERS AT STEP **8** AS DESIRED

- 7** Remove from all towers

Loosen all towers lightly so they are fixed but can slide along rail



- 8** Slide and adjust the towers to recommended/custom tower positions.

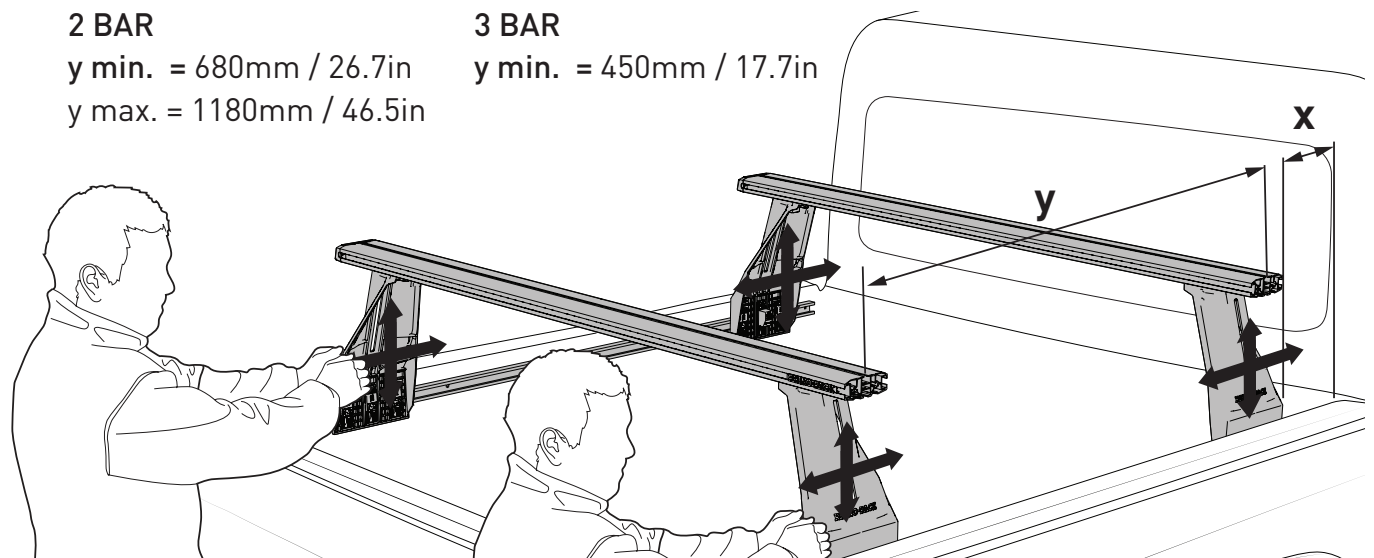
**2 BAR**

y min. = 680mm / 26.7in

y max. = 1180mm / 46.5in

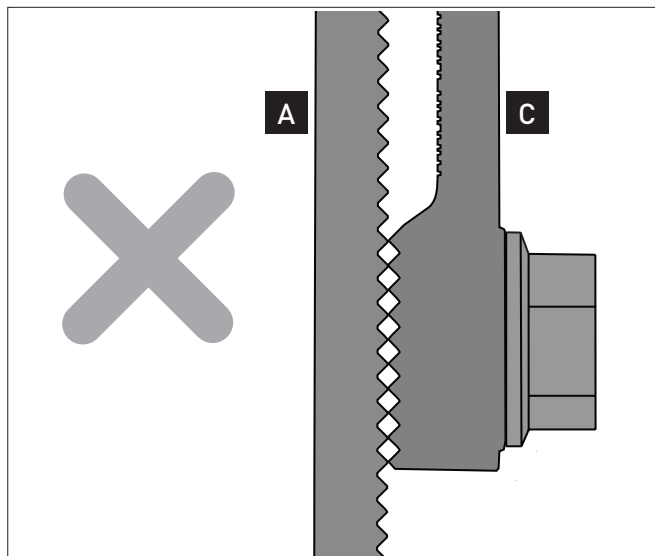
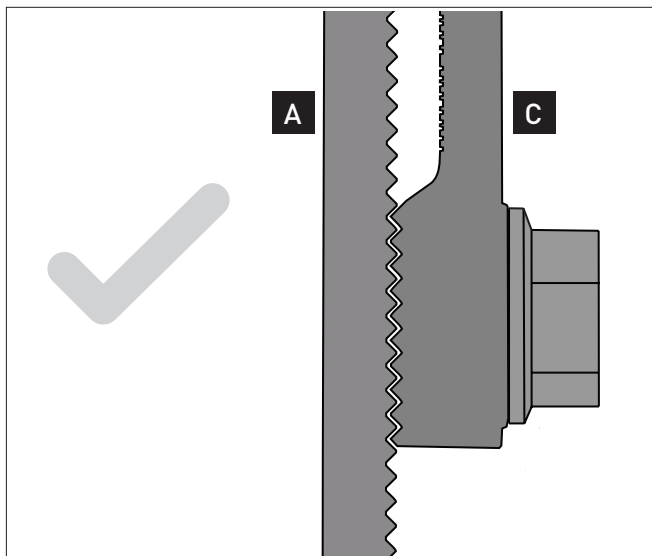
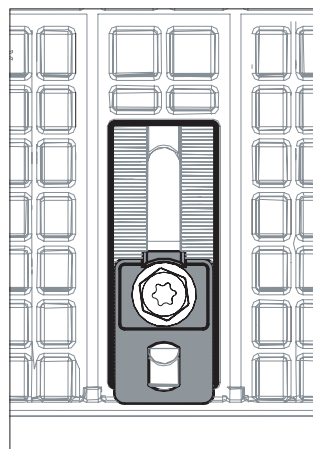
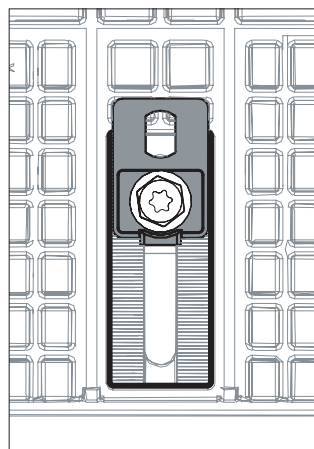
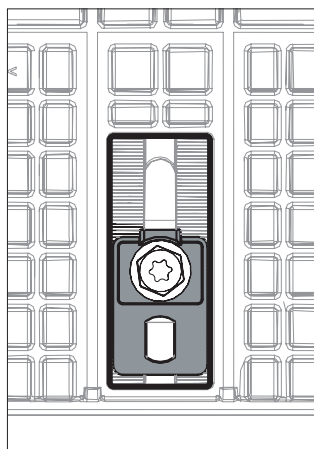
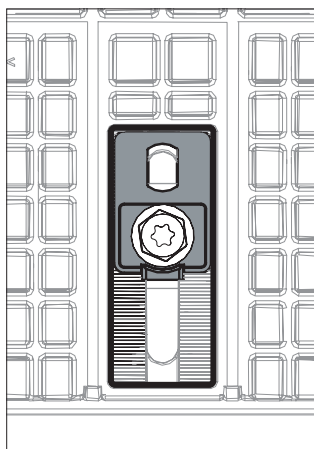
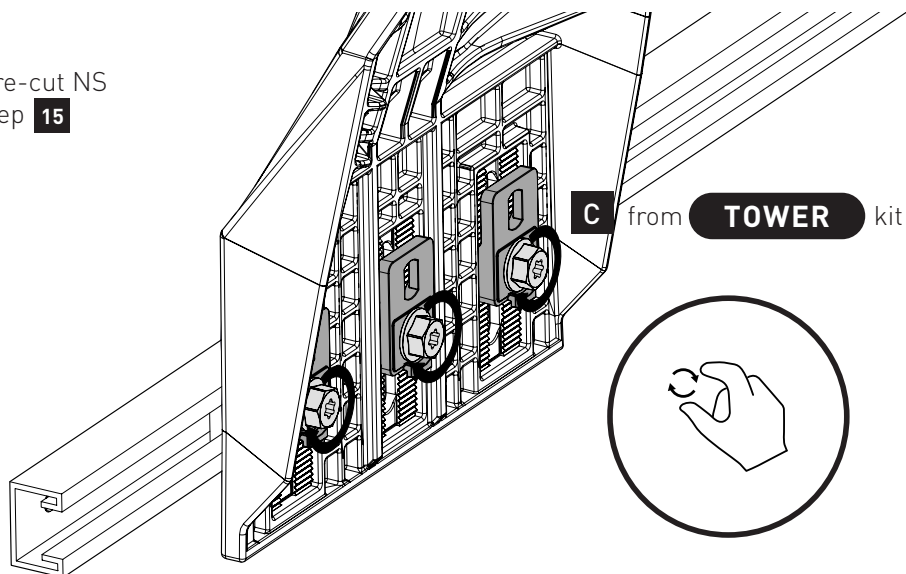
**3 BAR**

y min. = 450mm / 17.7in



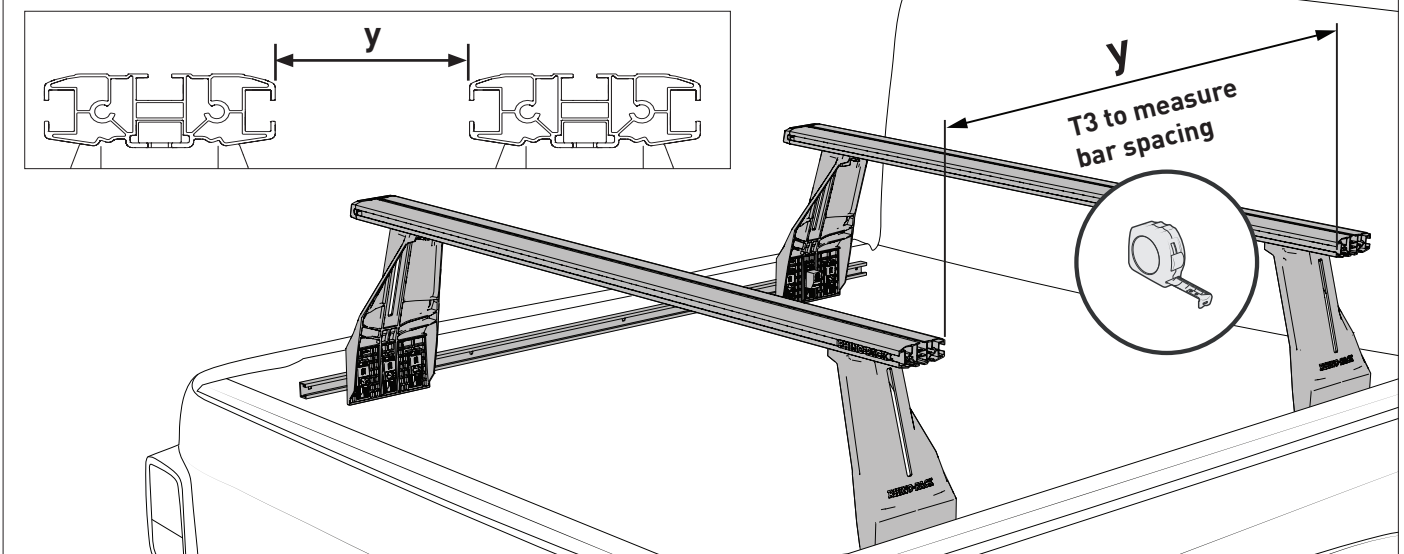
9 Finger tighten all bolts down to hold towers in position. Check Locking Serrated Washer's **C** are seated correctly (refer bottom image).

If using supplied pre-cut NS bars, proceed to step **15**

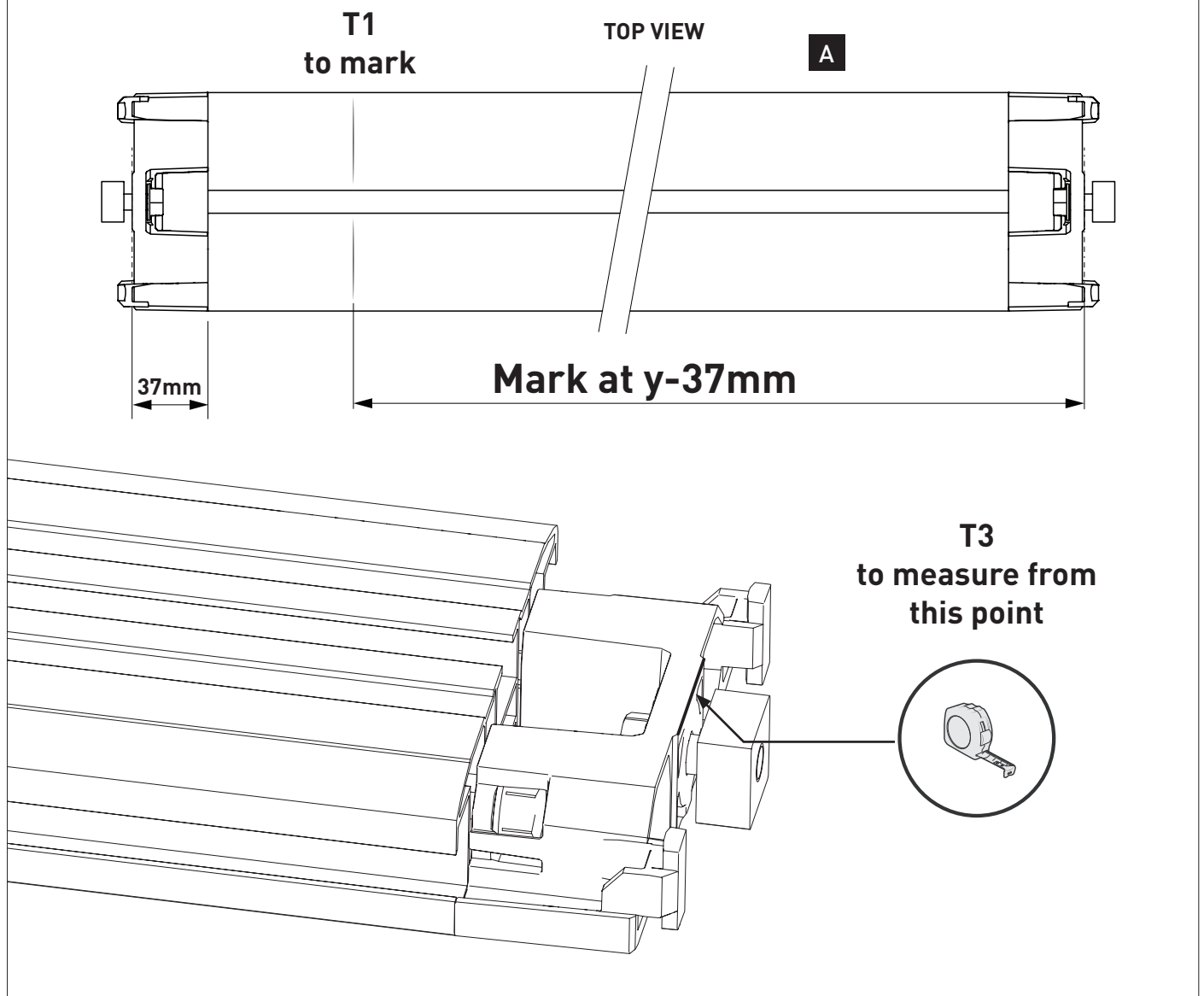




**10** If trimming NS bar, measure and note cross bar spacing

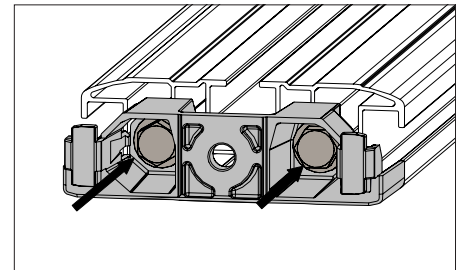
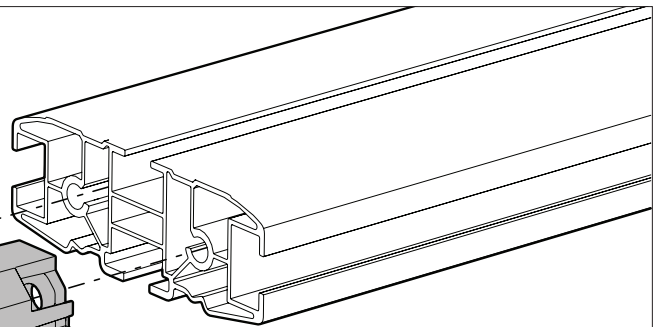
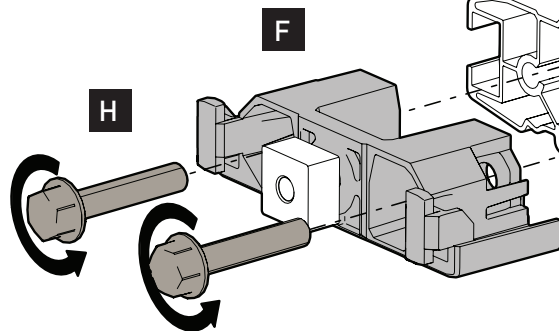
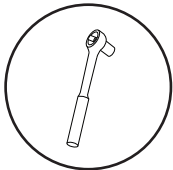


**11** Mark measurement on NS bar



**12** Remove connector from end to be trimmed

**T4**  
to remove



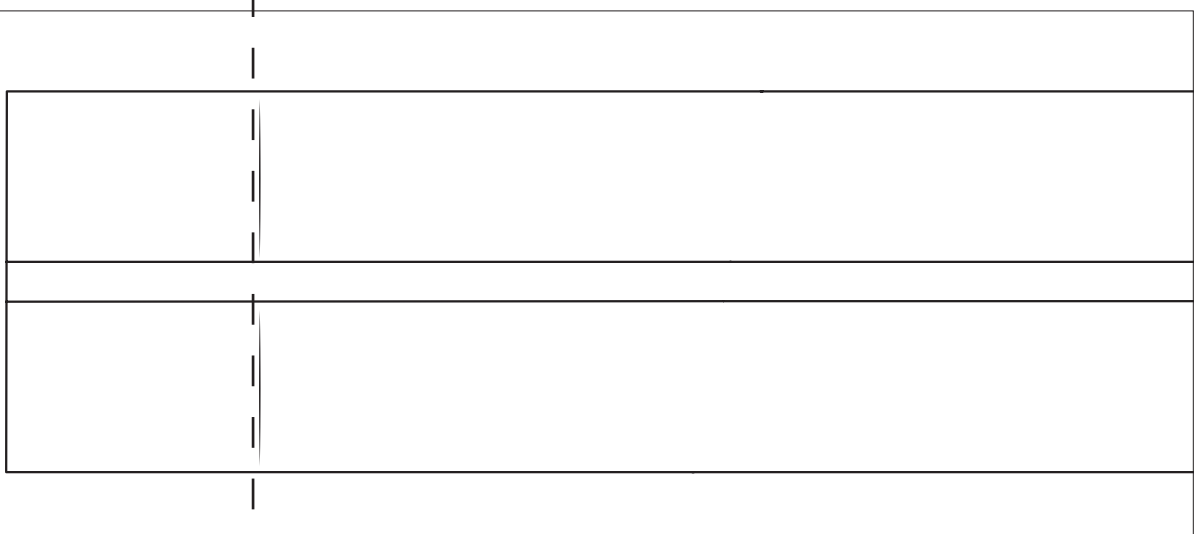
**13** Trim NS bar along the outside of marked line (allow for cutting blade width)

[ TRIM HERE ]

**TOP VIEW**

**A**

offcut  
side

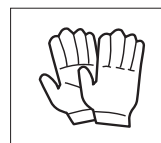
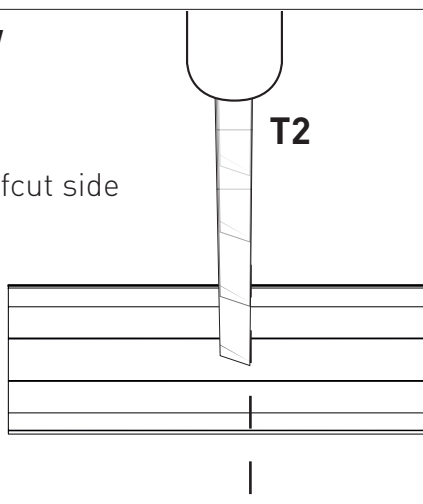


**SIDE VIEW**

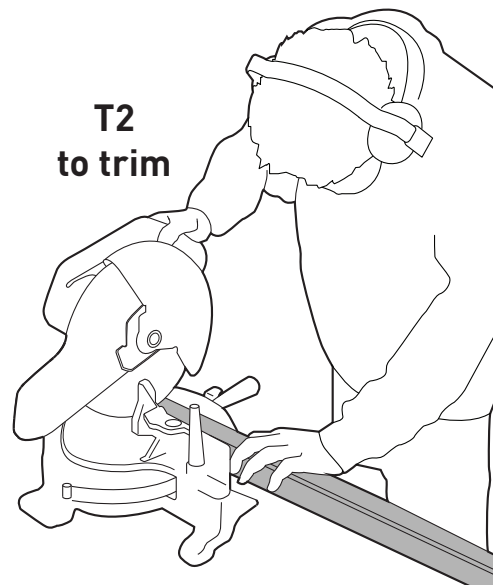
offcut  
side

**A**

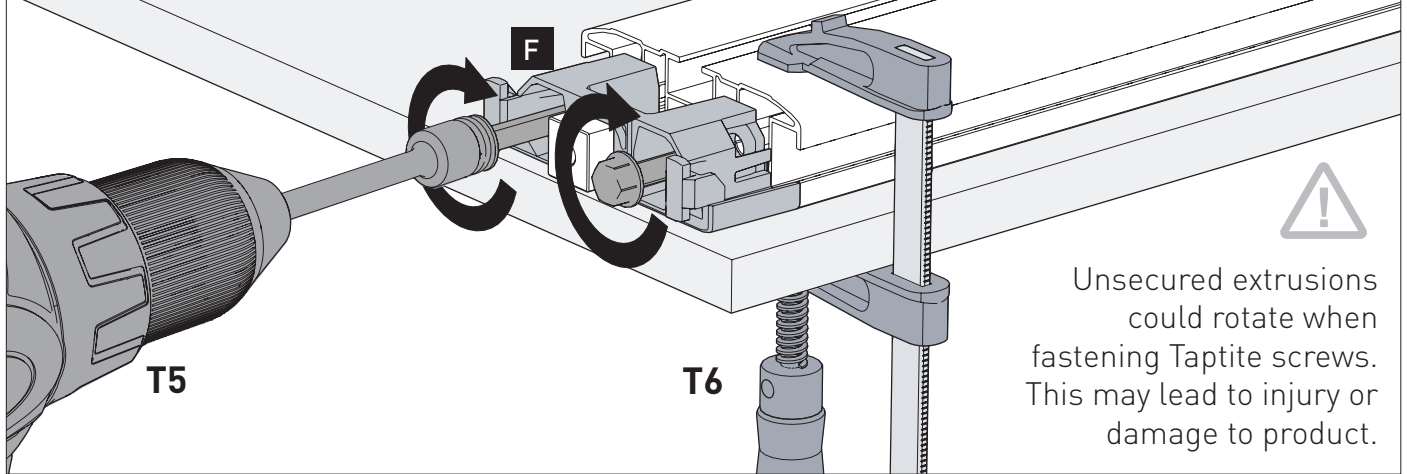
**T2**



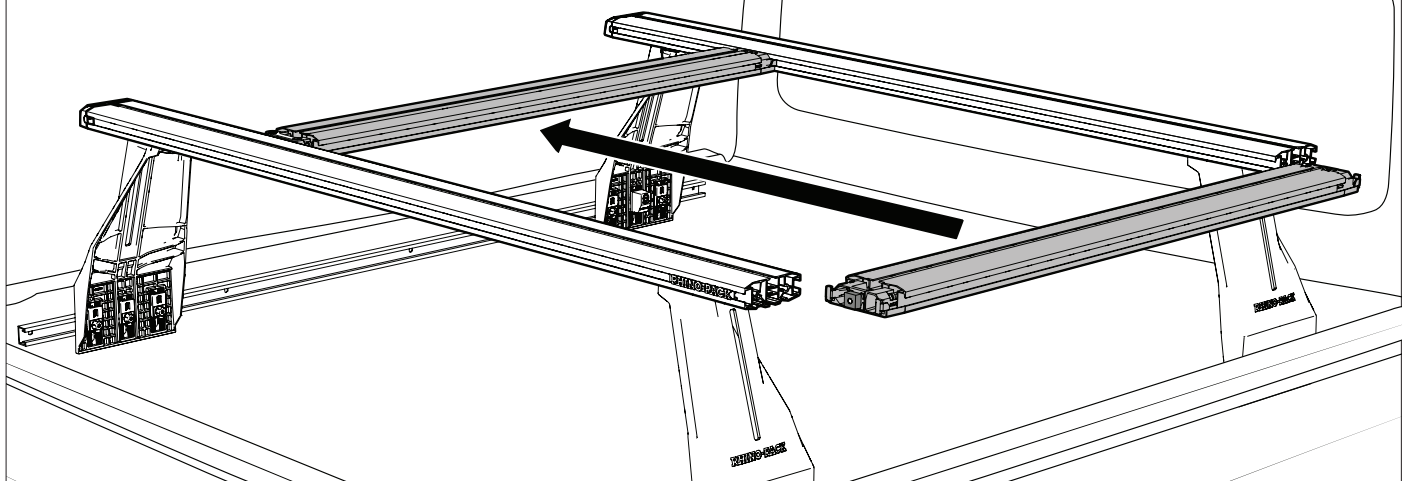
**T2**  
to trim



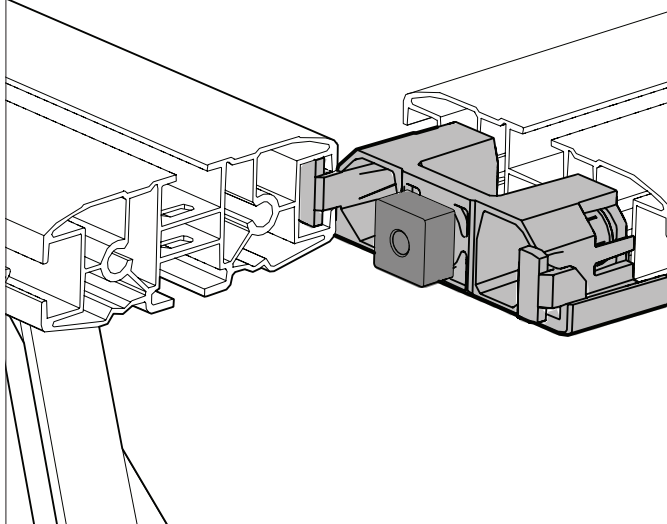
- 14** Reassemble **F** by securing to work bench or similar when installing Taptite fasteners into raw extrusion flutes.  
Note: Tapping extrusion not required



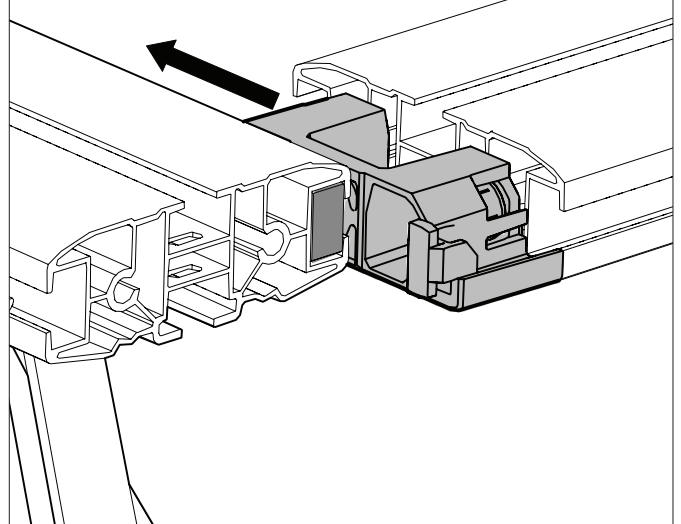
- 15** If required, adjust rear tower to allow NS bars to slide into Reconn-Deck Bar channels smoothly.



**15a**

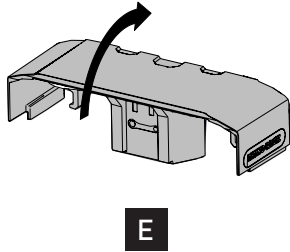


**15b**

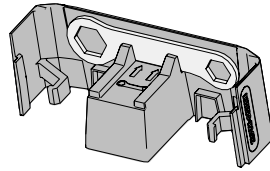


16

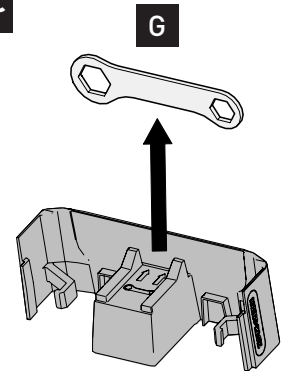
16a



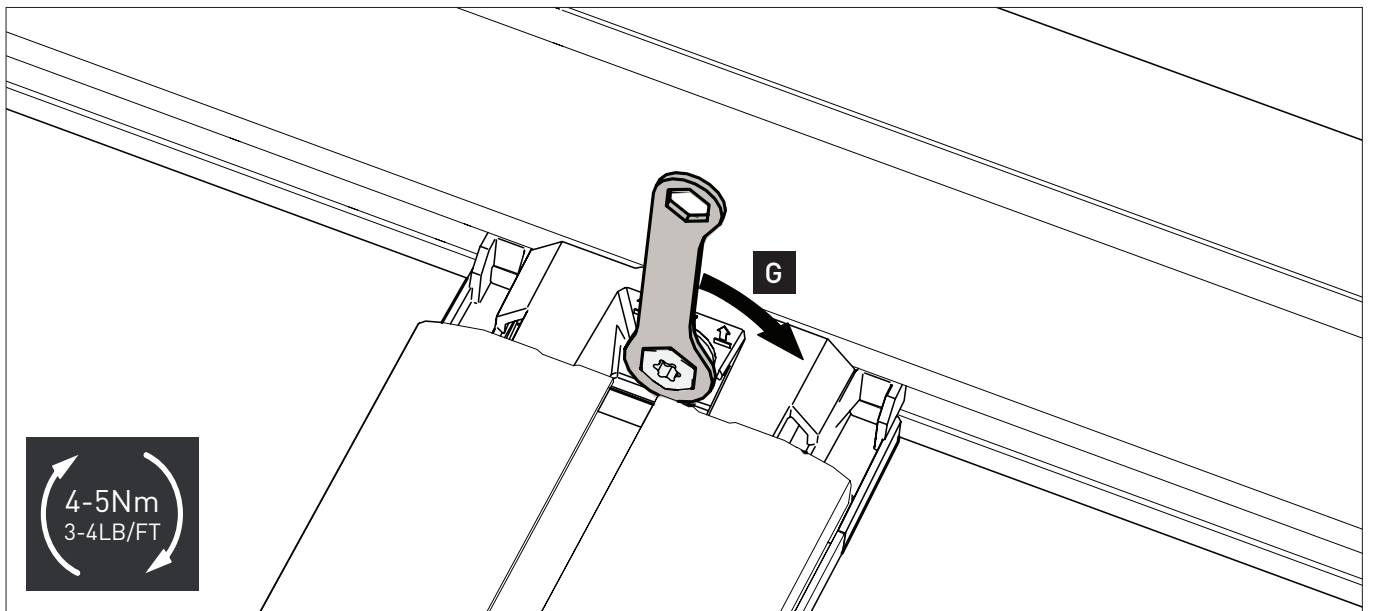
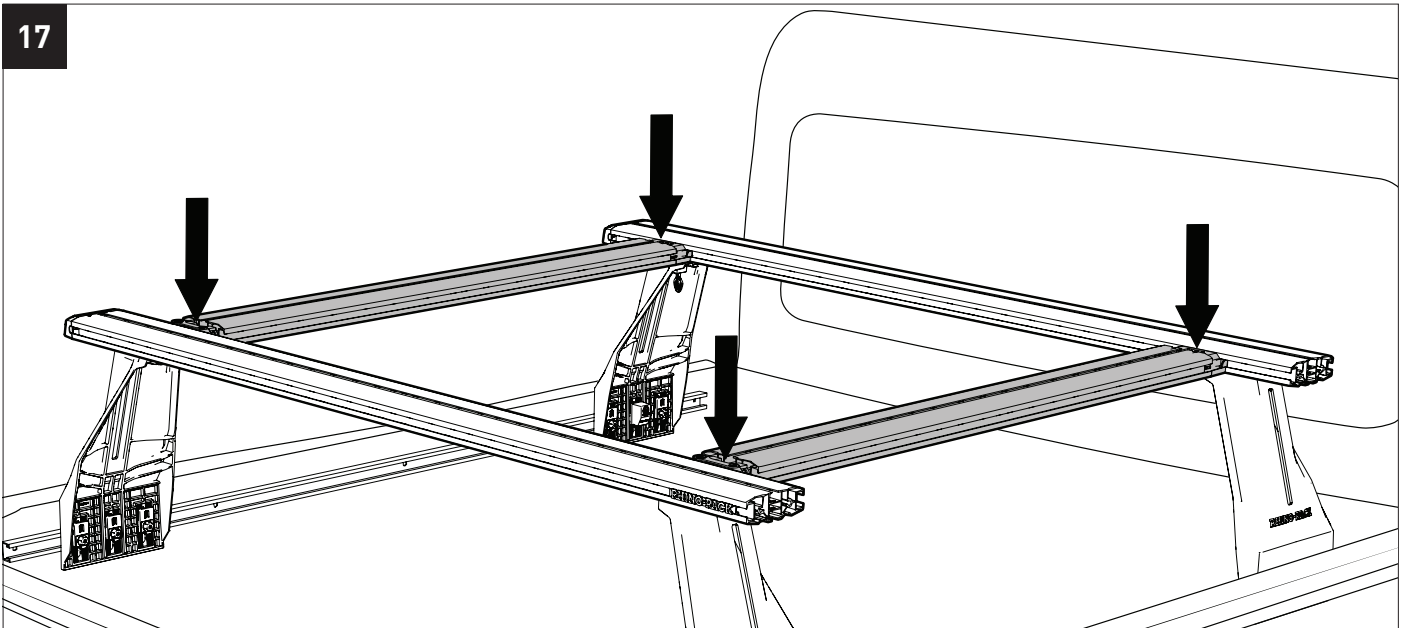
16b



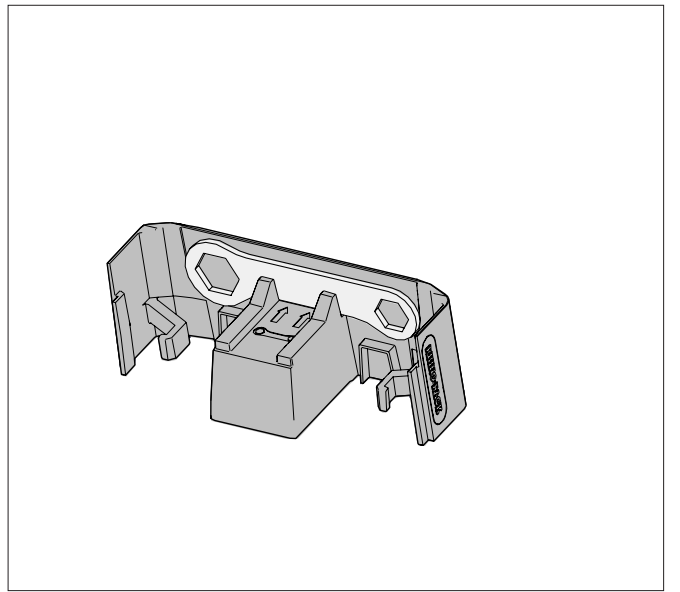
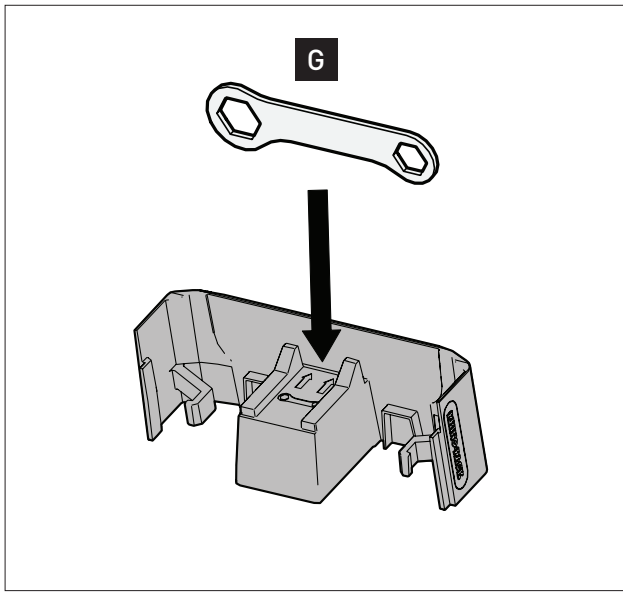
16c



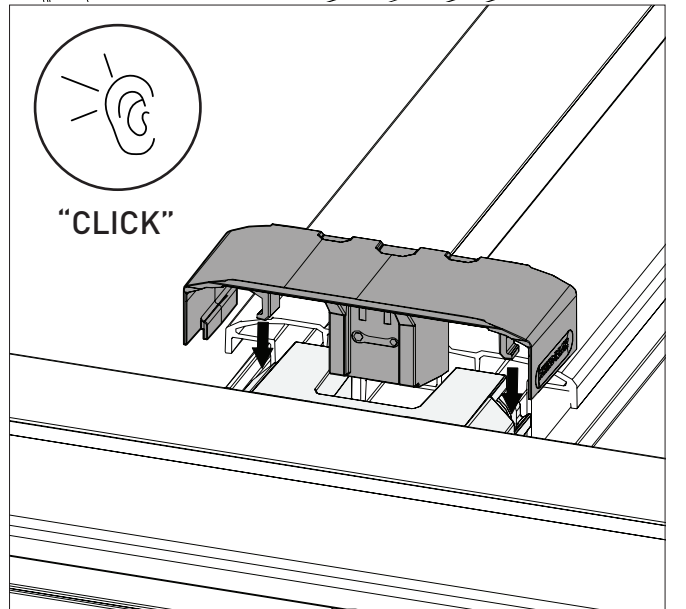
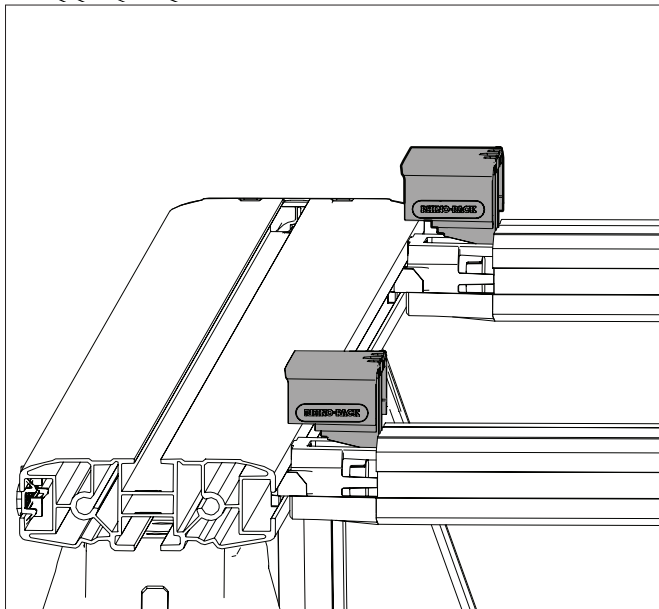
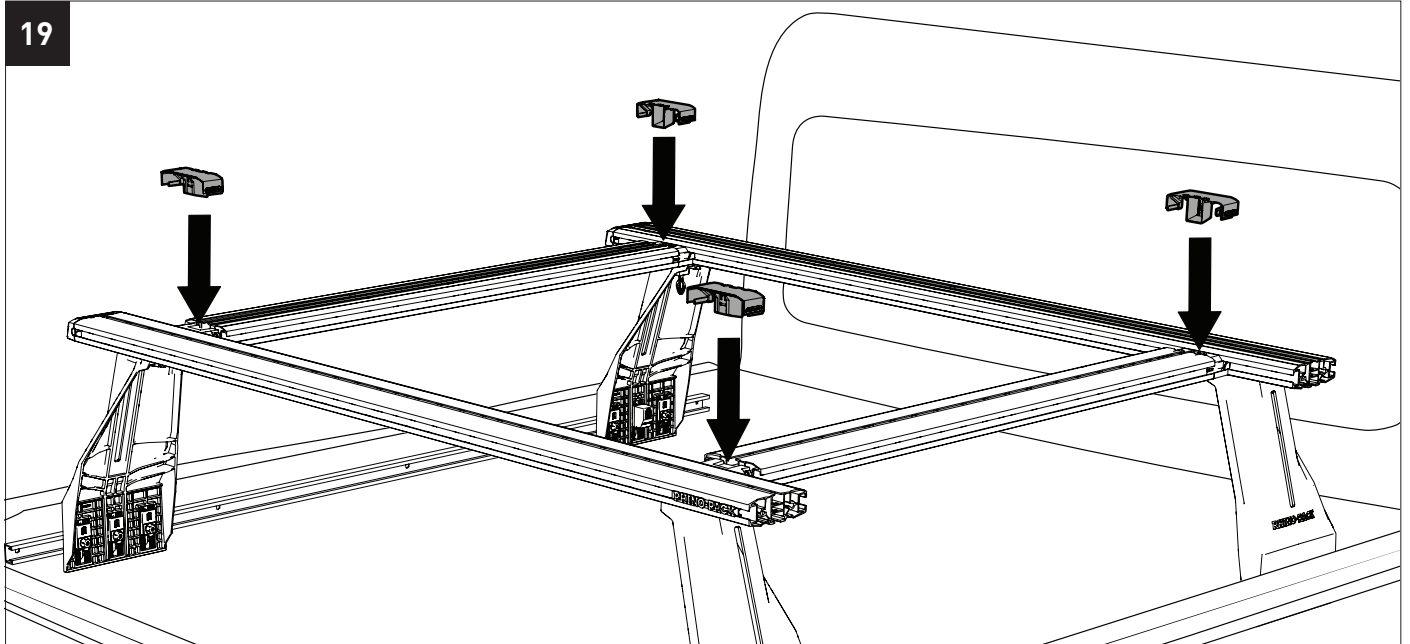
17



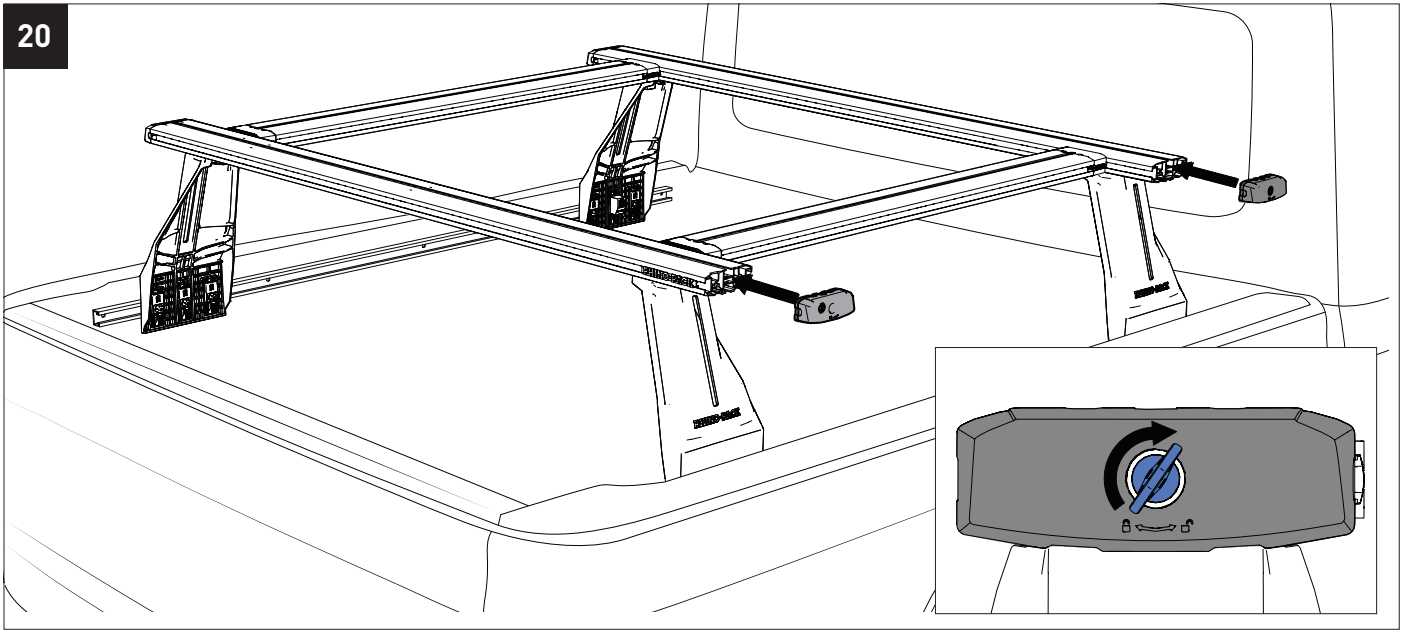
18



19



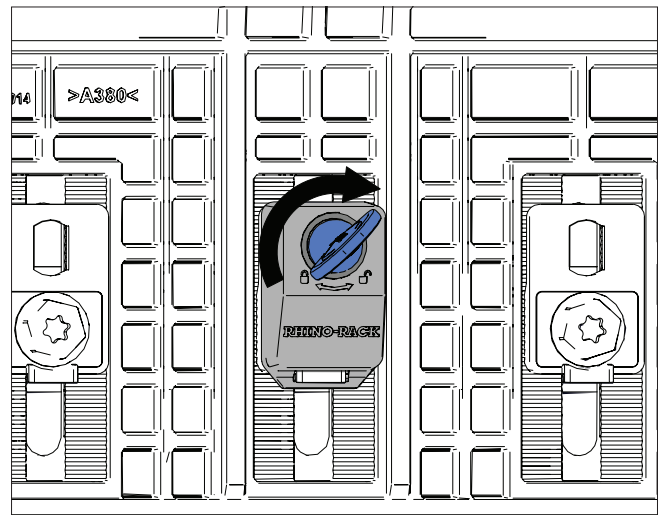
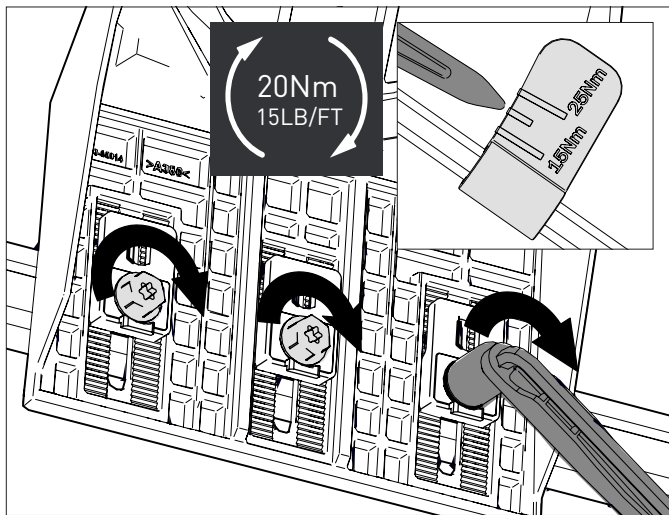
20



21

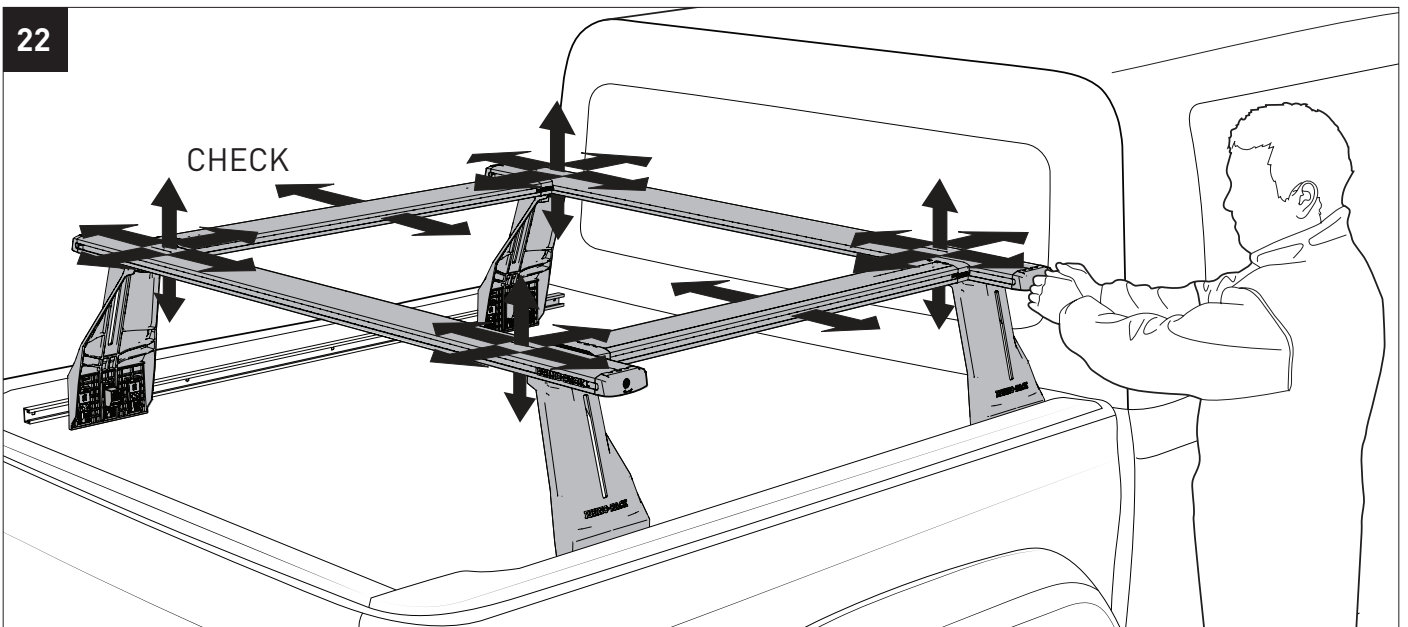
Retighten all

Refit to towers



22

CHECK





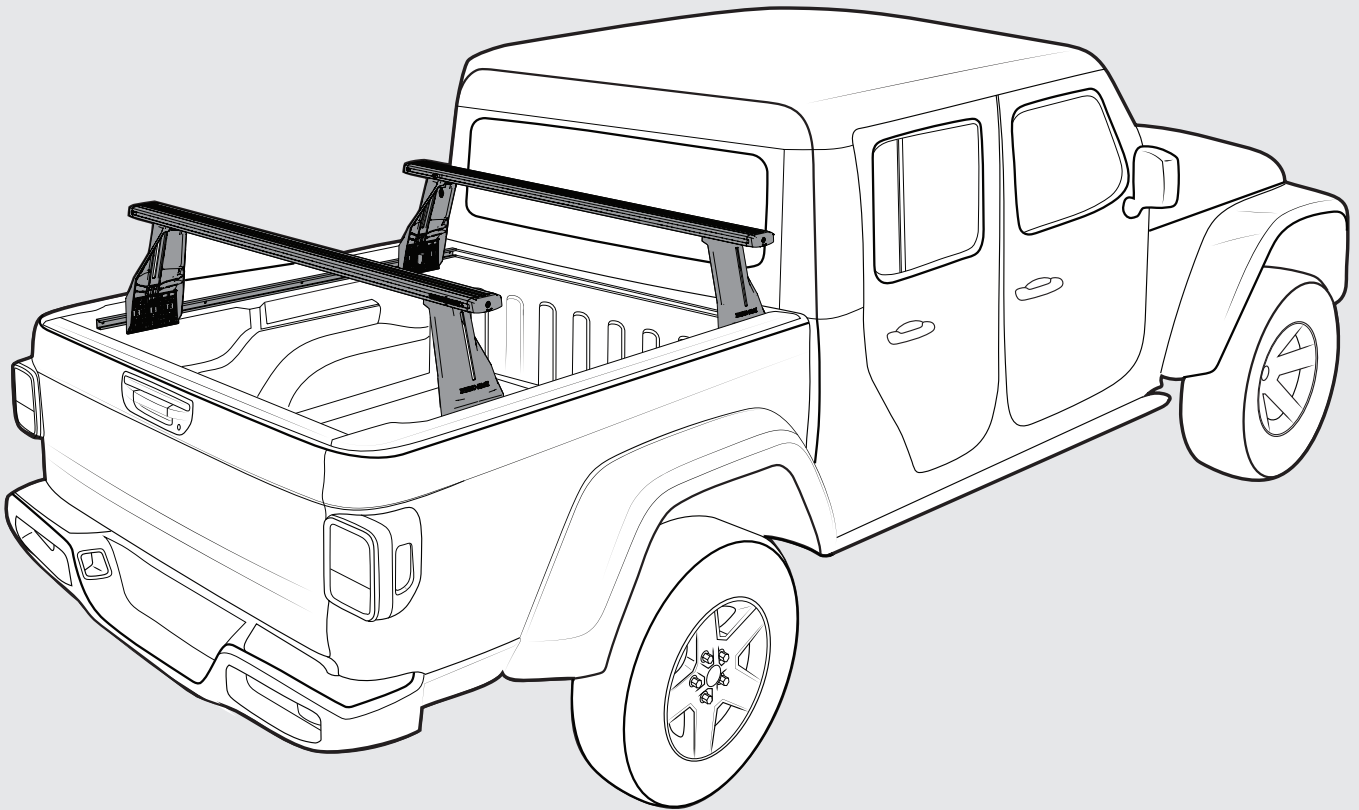
# RHINO-RACK®

## Reconn-Deck Tower Instructions RDT2, RDT4

**Important:**

1. Check the Rhino-Rack website to ensure you have the latest issue of these instructions.
2. Please refer to your fitting instruction to ensure that the roof racks are installed in the correct locations.
3. Check the contents of kit before commencing fitment and report any discrepancies.
4. Place these instructions in the vehicle's glove box after installation is complete.
5. These instructions must be followed for warranty to be upheld.

**Fit Time:** 1 hour



**Rhino-Rack AUSTRALIA**  
22A Hanson Pl,  
Eastern Creek, NSW, 2766  
(02) 8846 1900  
rhinorack.com.au

**Rhino-Rack USA**  
Unit D, 2450 Airport Blvd,  
Aurora, CO, 80011  
877-744-6622  
rhinorack.com

**Rhino-Rack CANADA**  
19100 Airport Way  
Pitt Meadows, BC V3Y 0E2  
rhinorack.ca

Doc. No: 520-RFI-00017  
Issue No: 01  
Issue Date: 29/06/2021

# RDT Instructions

## Carrying Capacity

### Max system load capacity:

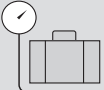
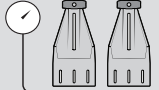
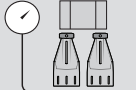
Check your vehicle owners hand book for vehicle maximum carrying capacity. Please ensure you use the vehicle manufacturer's maximum load allowance if it is lower than the figure listed in this instruction. Refer to your vehicle specific fitting supplement as the load limit varies between each system.

Load must be evenly distributed over the system.

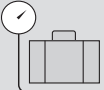
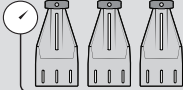

### Custom fit load rating guide:

If you are assembling a custom configuration not listed by Rhino Rack, ensure you include the total system weight into the vehicle load limit/total allowance. Use the below as a guide to calculate the cargo allowance.

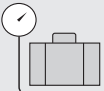
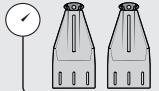
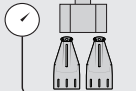
### 2 Tower Recon-Deck Bar

		
<b>CARGO ALLOWANCE</b>	<b>SYSTEM WEIGHT</b>	<b>TOTAL ALLOWANCE</b>
Up to 134.5kg / 295lbs	+ 16kg / 35lbs	= Up to* <b>150kg / 330lbs</b>

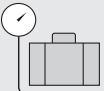
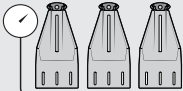
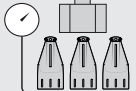
### 3 Tower Recon-Deck Bar

		
<b>CARGO ALLOWANCE</b>	<b>SYSTEM WEIGHT</b>	<b>TOTAL ALLOWANCE</b>
Up to 126kg / 277lbs	+ 24kg / 53lbs	= Up to* <b>150kg / 330lbs</b>

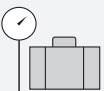
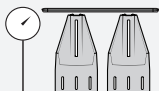
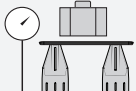
### 2 Tower Vortex Bar

		
<b>CARGO ALLOWANCE</b>	<b>SYSTEM WEIGHT</b>	<b>TOTAL ALLOWANCE</b>
Up to 88.5kg / 195lbs	+ 11.5kg / 25lbs	= Up to* <b>100kg / 220lbs</b>

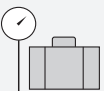
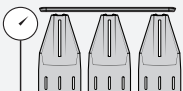
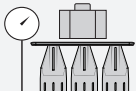
### 3 Tower Vortex Bar

		
<b>CARGO ALLOWANCE</b>	<b>SYSTEM WEIGHT</b>	<b>TOTAL ALLOWANCE</b>
Up to 82.5kg / 181.5lbs	+ 17.5kg / 38.5lbs	= Up to* <b>100kg / 220lbs</b>

### 2 Tower Pioneer Platform

		
<b>CARGO ALLOWANCE</b>	<b>SYSTEM WEIGHT</b>	<b>TOTAL ALLOWANCE</b>
Up to 93kg / 205lbs	+ 27kg / 60lbs	= Up to* <b>120kg / 265lbs</b>

### 3 Tower Pioneer Platform

		
<b>CARGO ALLOWANCE</b>	<b>SYSTEM WEIGHT</b>	<b>TOTAL ALLOWANCE</b>
Up to 89kg / 196.5lbs	+ 31kg / 68.5lbs	= Up to* <b>120kg / 265lbs</b>

\* USE THE VEHICLE MANUFACTURER'S MAXIMUM LOAD ALLOWANCE IF IT IS LOWER THEN THE FIGURE LISTED, AND THEN RE-CALCULATE THE CARGO ALLOWANCE



# RDT Instructions

Avoid point loads concentrated in the centre span.  
Distribute large loads over the span.

10kg max. load limit per tower

25kg maximum cantilevered load per channel. i.e. load suspended from under & side channels

Ensure the ladder is well supported on the ground for the tent's stability. Take extreme caution when climbing heights above 1.2m/4ft.

## RDT Instructions

---

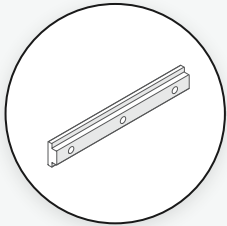
### System Components

---

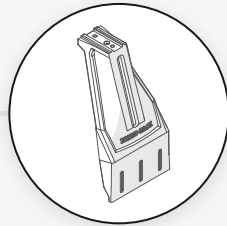
To complete the Reconn-Deck system you will need the base, tower & bar kits (accessories are recommended)

### RECONN-DECK SYSTEM COMPONENTS

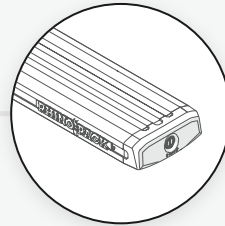
BASE



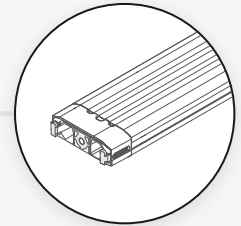
TOWER



BAR



ACCESSORY



### Warning

---

- Check part number or kit is correct for use with your vehicle.
- Do not attempt to fit system to your vehicle unless you fully understand these fitting instructions. Please direct any questions regarding fitting to the dealer from where it was purchased from.
- Off-road conditions can be rigorous. Extreme care must be taken on any driven path that does not contain a surface protection layer.
- Always ensure you fasten your load securely.
- Use only non-stretch fastening ropes or straps to attach cargo to your load.

### In Service Maintenance Checks

---

- All bolted connections should be checked after driving a short distance after installation.
- All bolted connections should be checked again at regular intervals ( every 1000k (621mi) is recommended, depending on road conditions, usage, loads and distances travelled). All bolted connections should also be checked each time they are re-fitted.
- All bolted connections should be checked each time they are re-fitted.
- Off-road conditions are more rigorous. Check all bolted connections and your load more regularly.
- Ensure that your vehicle manufacturer's GVM, and gross axle weights are not exceeded (refer to vehicle owner's manual).

#### Torque Settings

Unless stated otherwise in these instructions, all fasteners should be set to the following torque settings -

M6: 4-5Nm (3-4lbs/ft),

M8: 8-10Nm (6-7.5lbs/ft) and

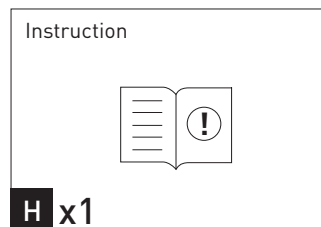
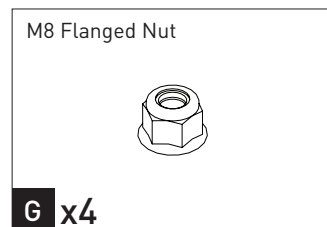
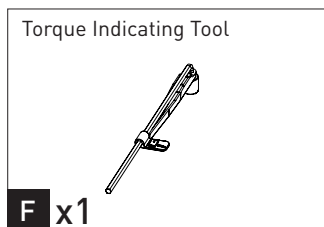
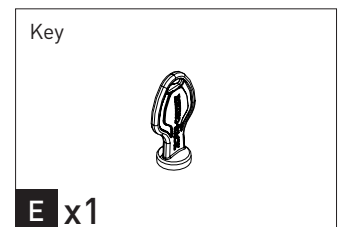
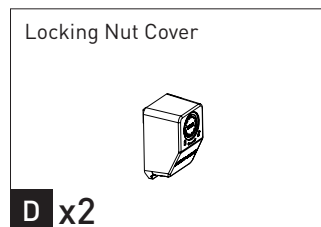
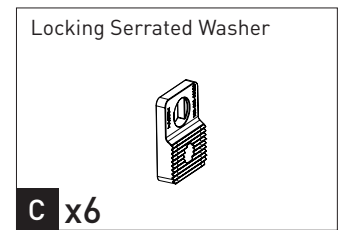
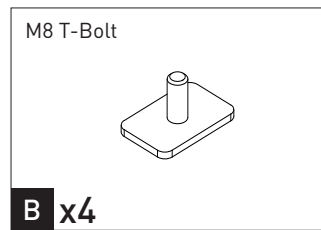
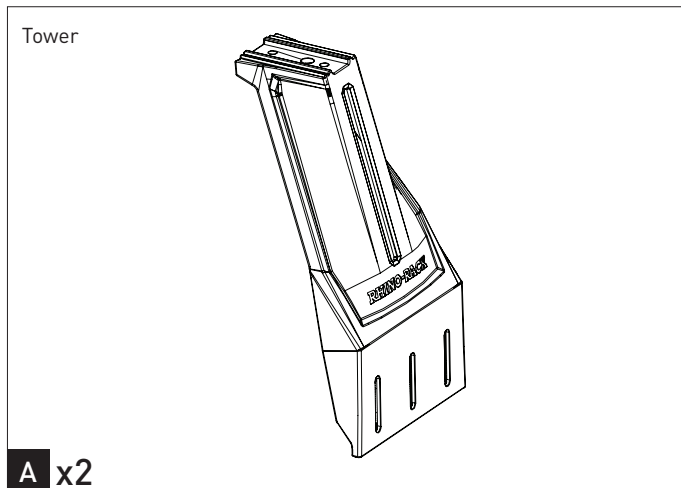
M10: 16-18Nm (12-13lbs/ft).

### Note for Dealers and Fitters

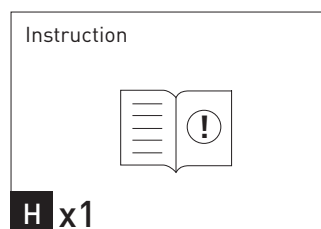
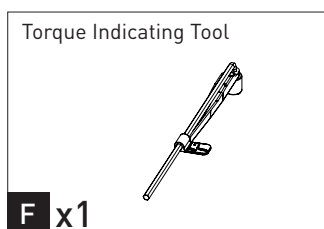
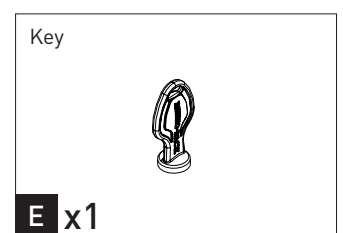
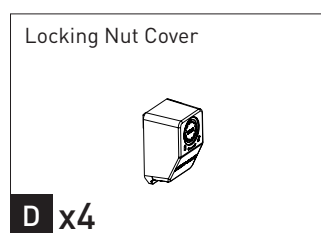
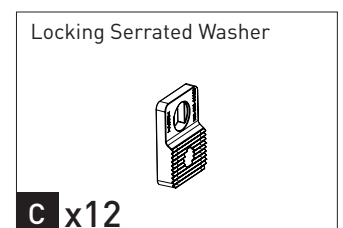
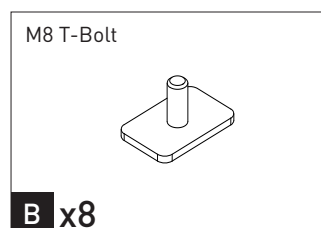
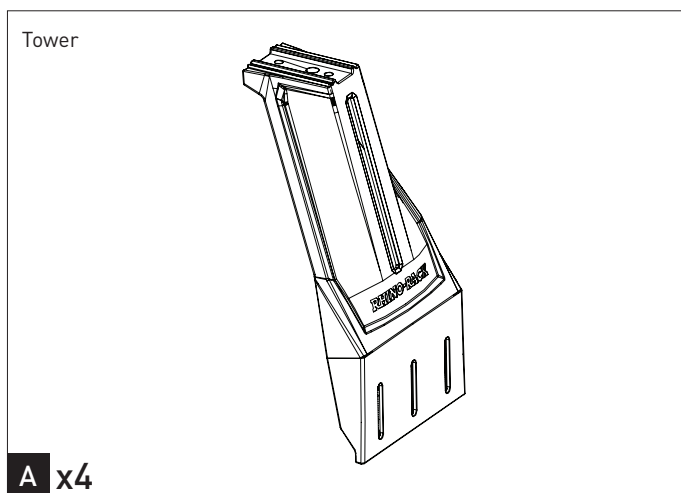
---

It is your responsibility to ensure these fitting instructions are given to the end user or client. These instructions remain the property of Rhino-Rack Australia Pty. Ltd. and may not be used or changed for any other purpose than intended.

**TOWER RDT2 Parts List**



**TOWER RDT4 Parts List**

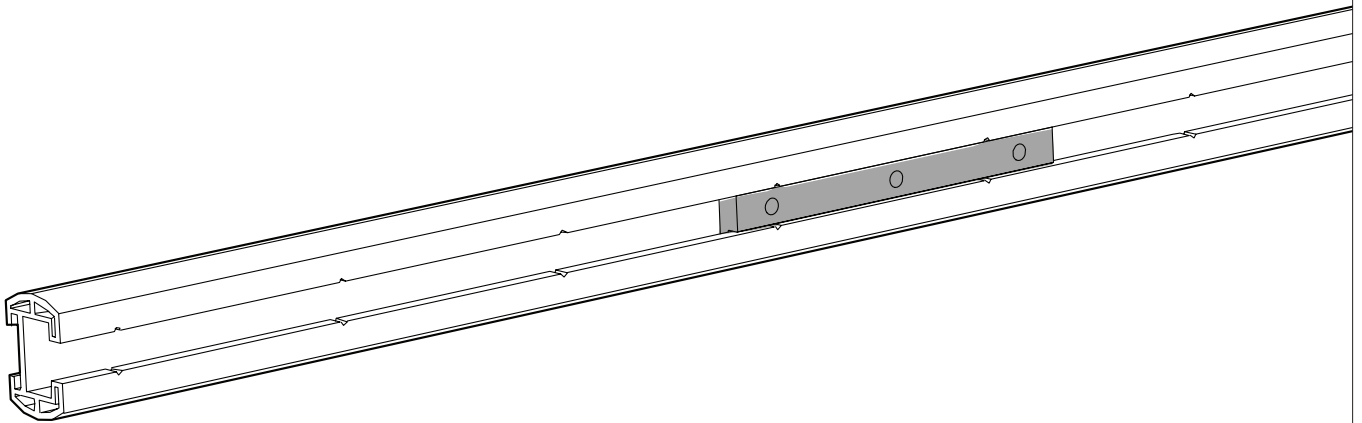


**Tools Required**

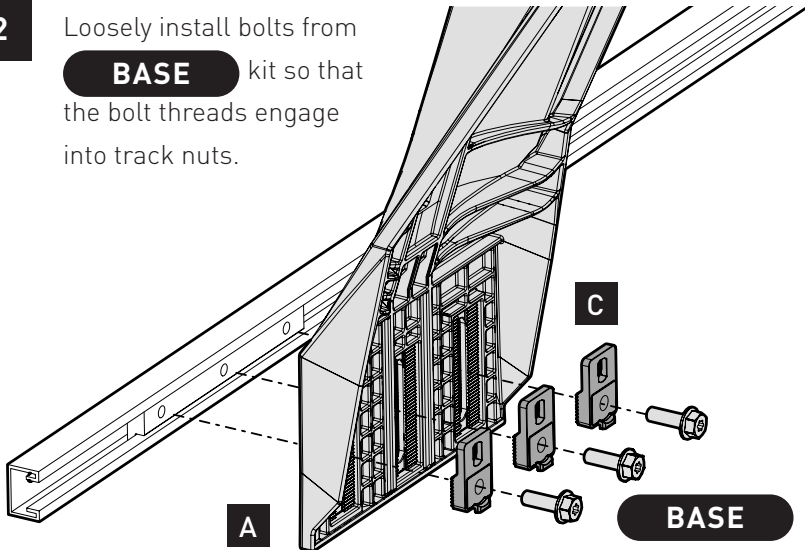
T1 - Tape Measure

T2 - Side cutters/Scissors

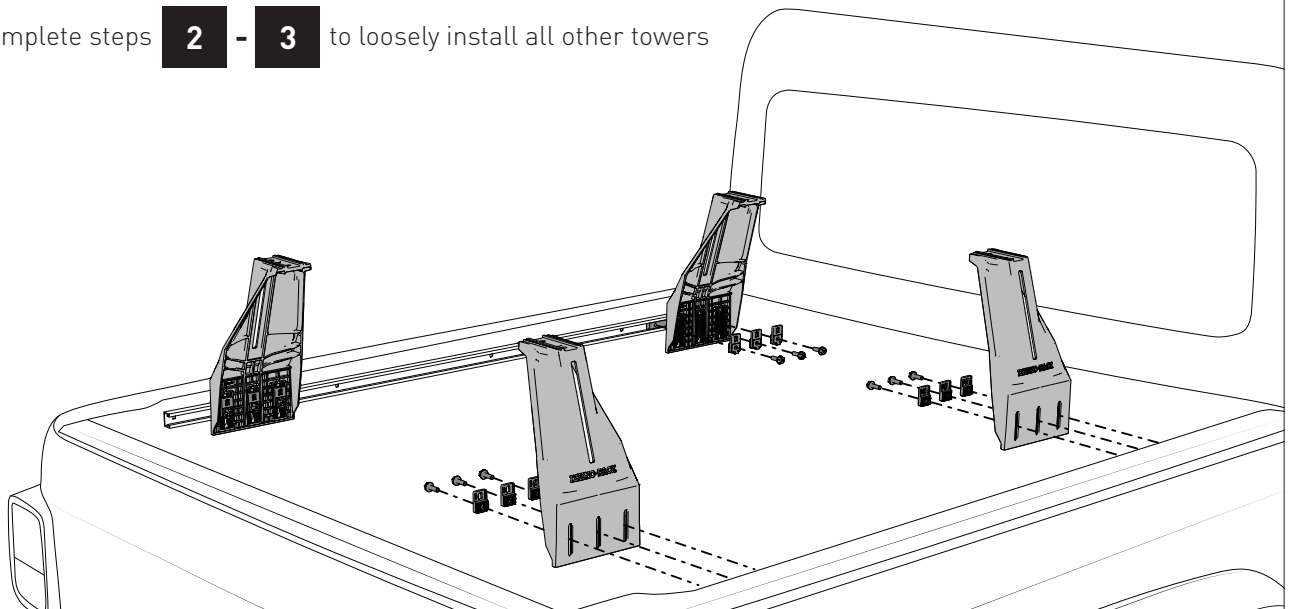
1 **A#** OF **BASE** INSTALLED INTO TRACK



2 Loosely install bolts from **BASE** kit so that the bolt threads engage into track nuts.



3 Complete steps 2 - 3 to loosely install all other towers



4

Adjust the towers to recommended tower positions. Tower positions vary depending on your vehicle & the bed rack system. When installing:

- **PIONEER PLATFORM:**

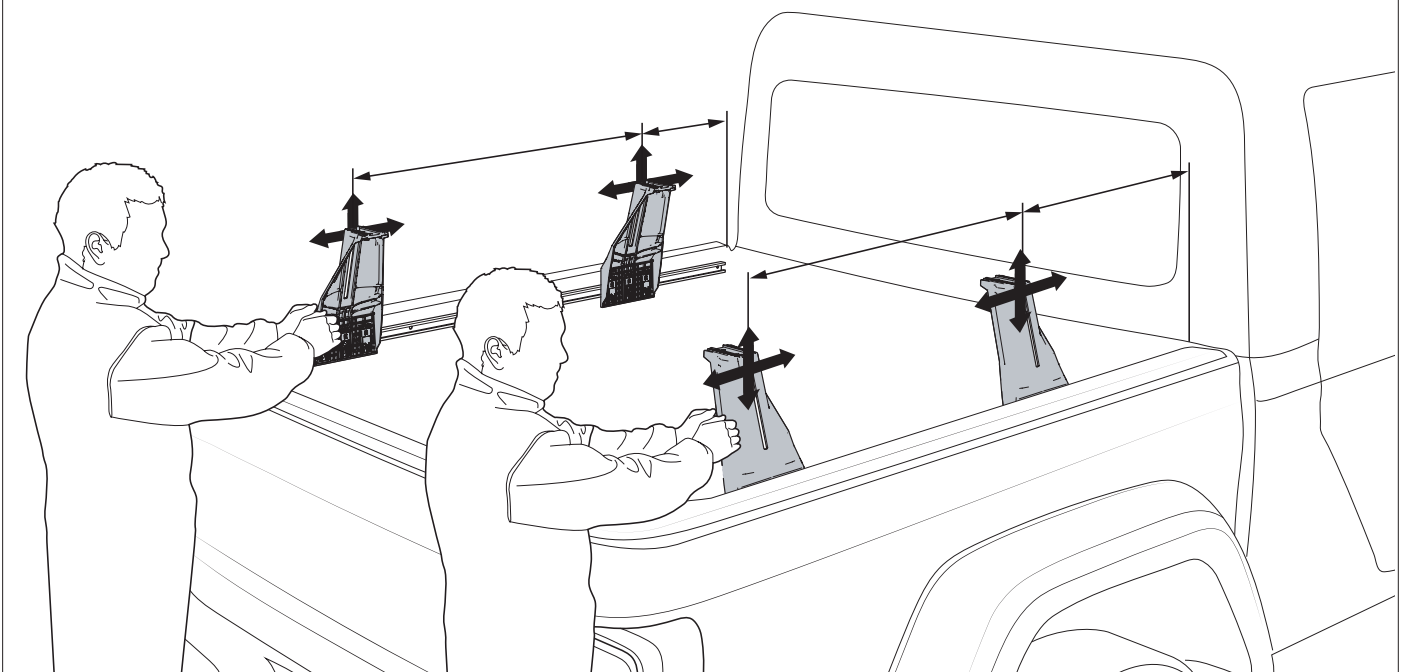
Refer to your vehicle's fit chart for its recommended tower positions.

Continue installation instructions only skipping step **7**

- **VA BAR/RECONN-DECK BAR:**

Refer to your vehicle's fitting supplement sheet for its recommended tower positions.

Continue installation instructions only skipping step **6**



4a

MINIMUM & MAXIMUM TOWER SPACING GUIDE:

If there is not a recommended tower position for your vehicle use the following

**2 BAR**

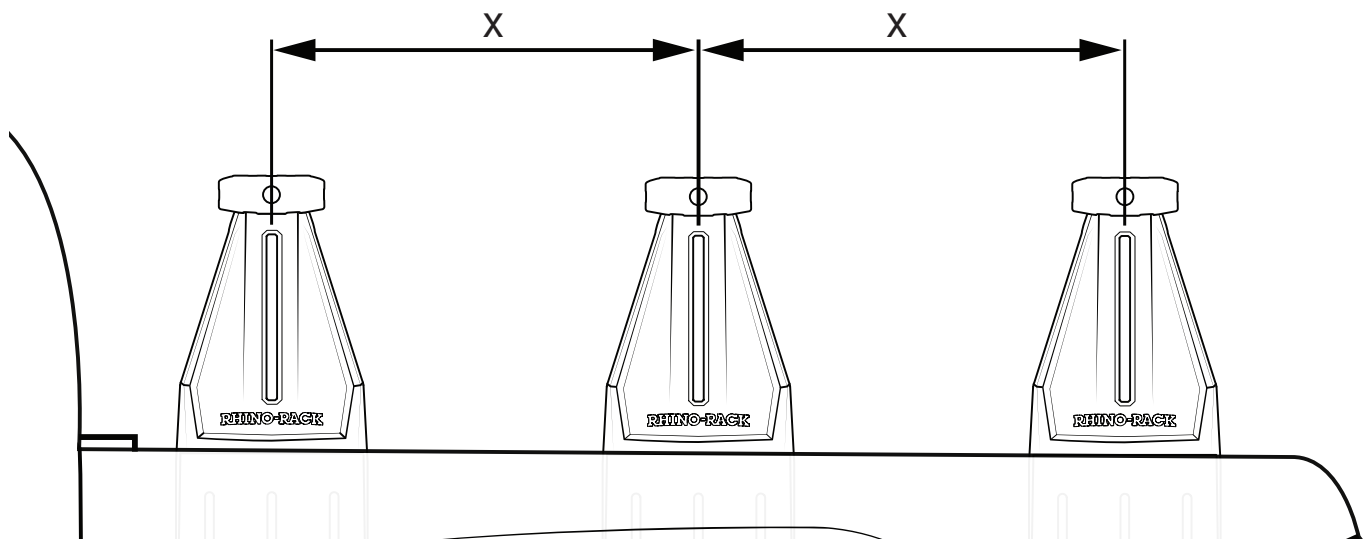
MIN.	680mm / 26.7in
MAX.	1180mm / 46.5in



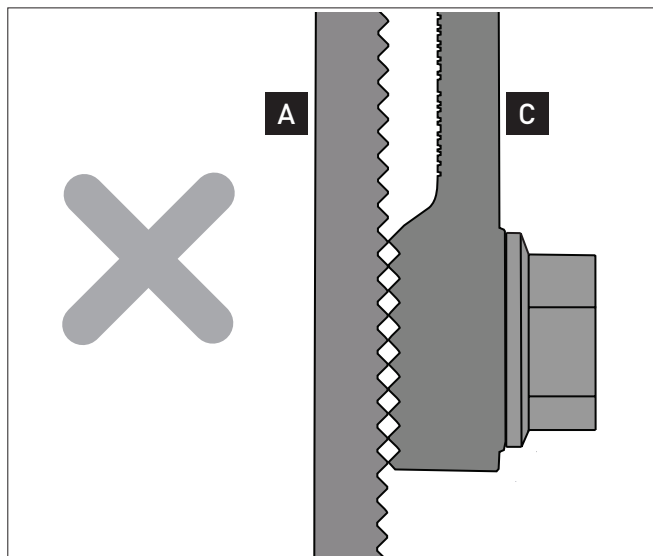
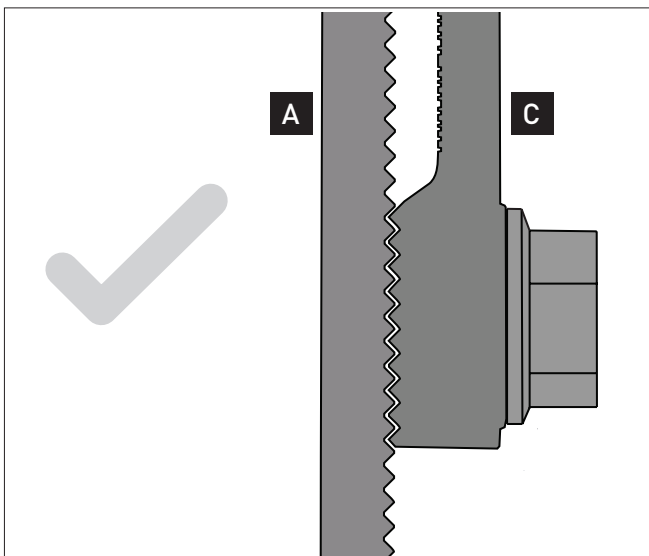
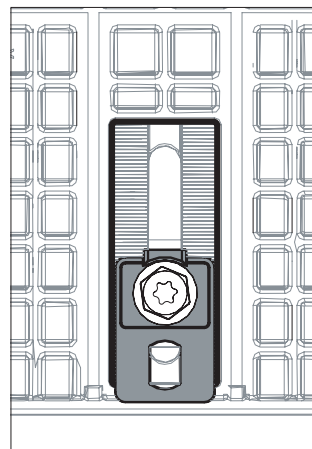
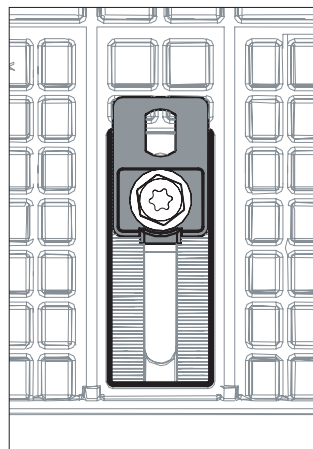
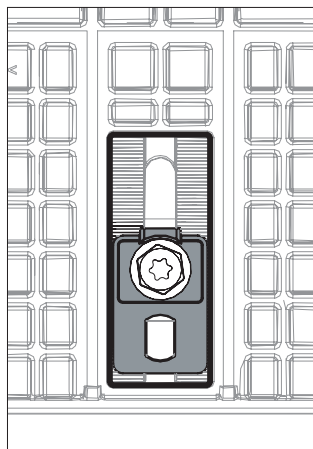
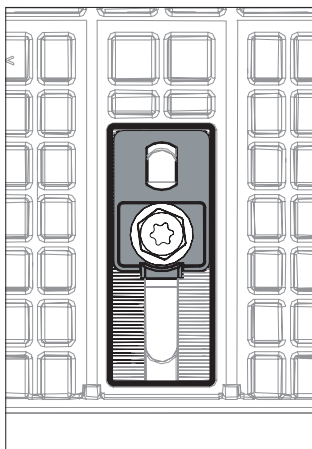
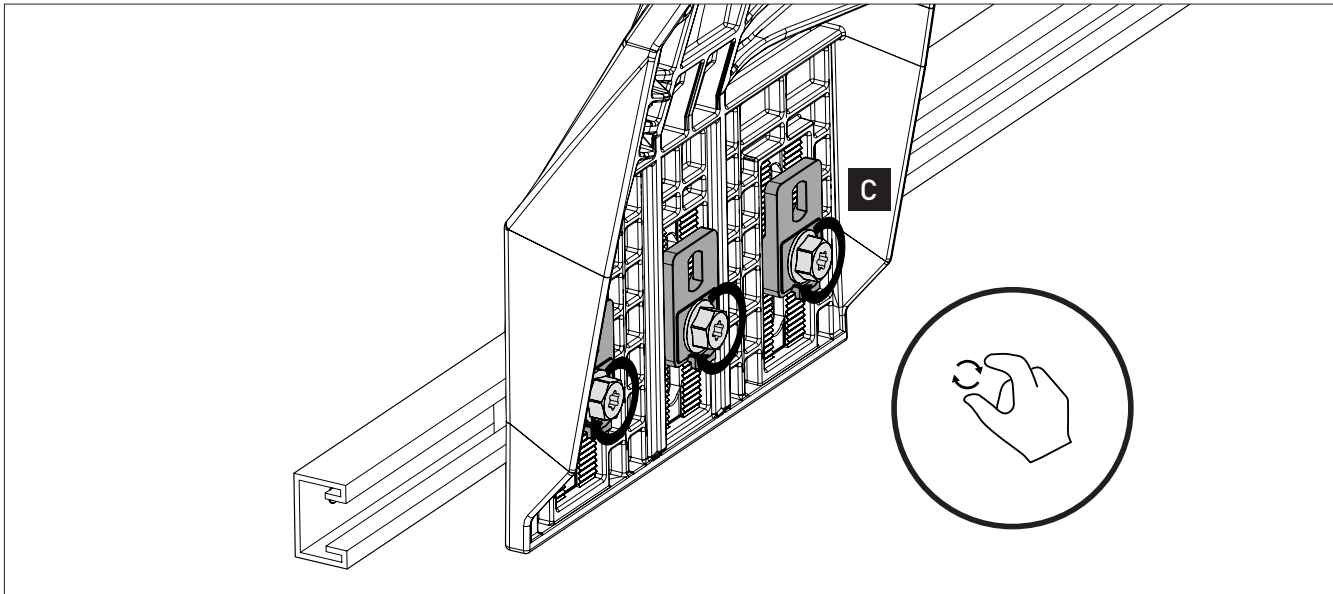
**3 BAR**

MIN.	450mm / 17.7in
------	----------------

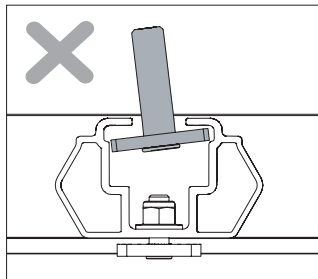
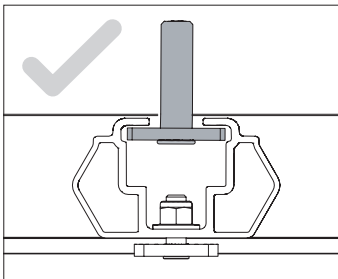
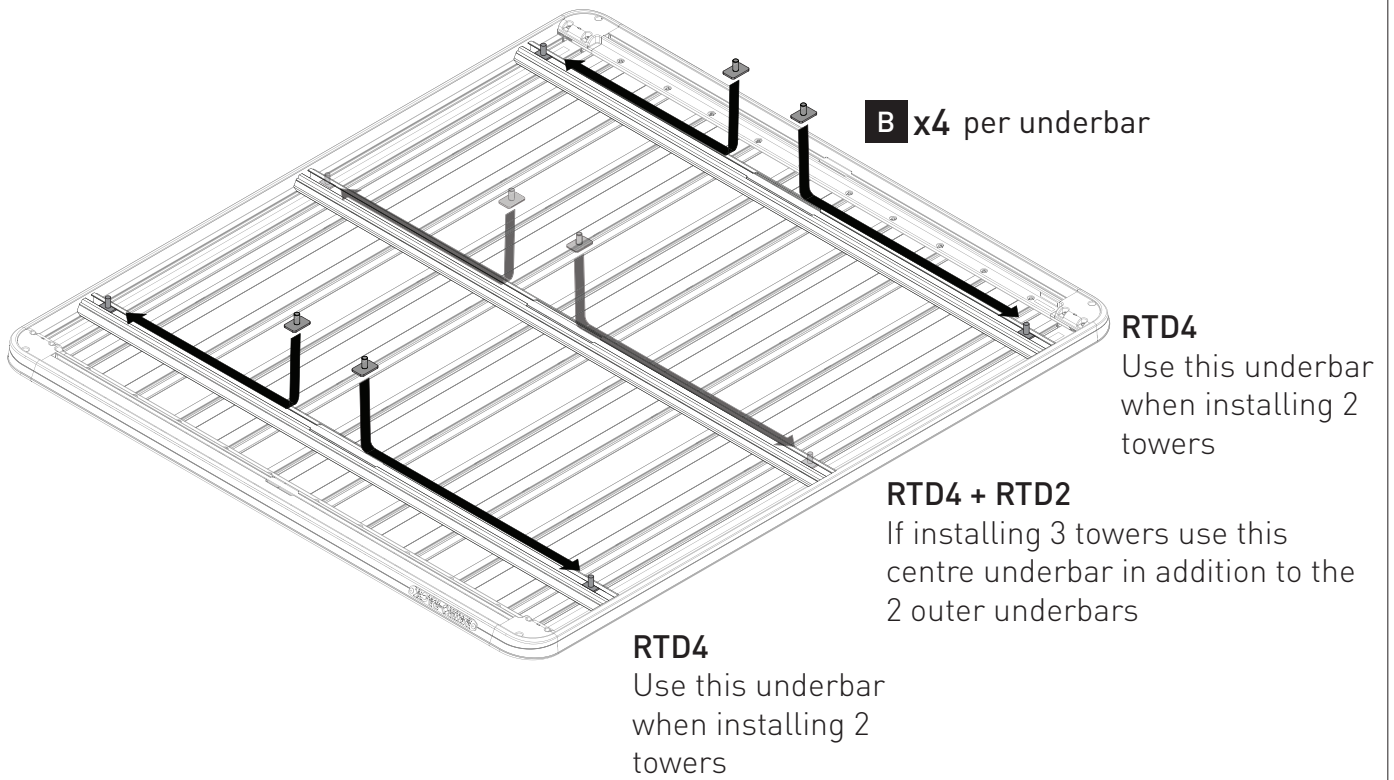
Load must be distributed evenly across all towers.  
Load must be tied down across each crossbar.



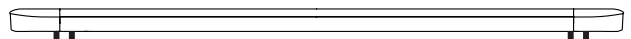
- 5** Finger tighten all bolts down to hold towers in position. Check Locking Serrated Washer's **C** are seated correctly (refer bottom image).



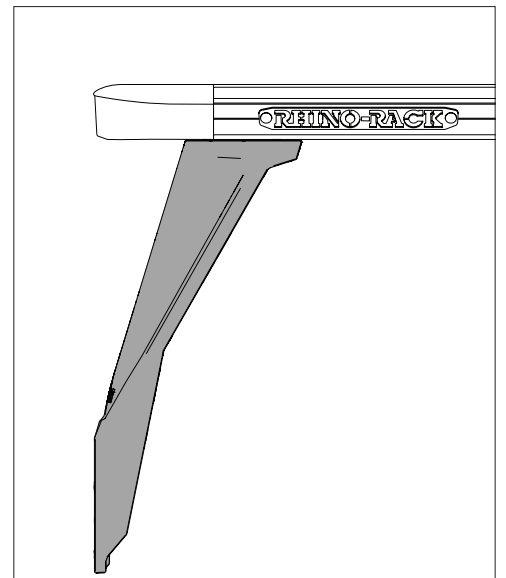
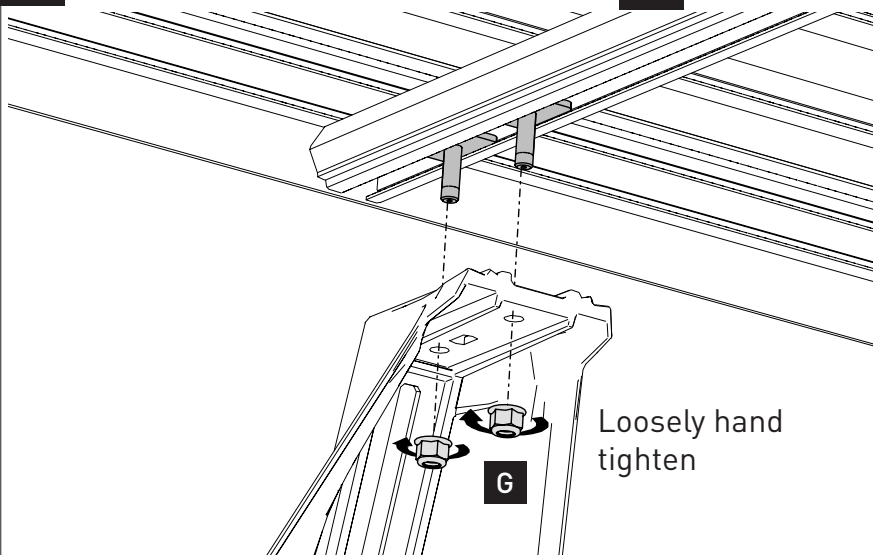
**6a** PIONEER PLATFORM INSTALLATION



**FRONT VIEW**



**6b** Repeat to opposite side then continue to Step **8**

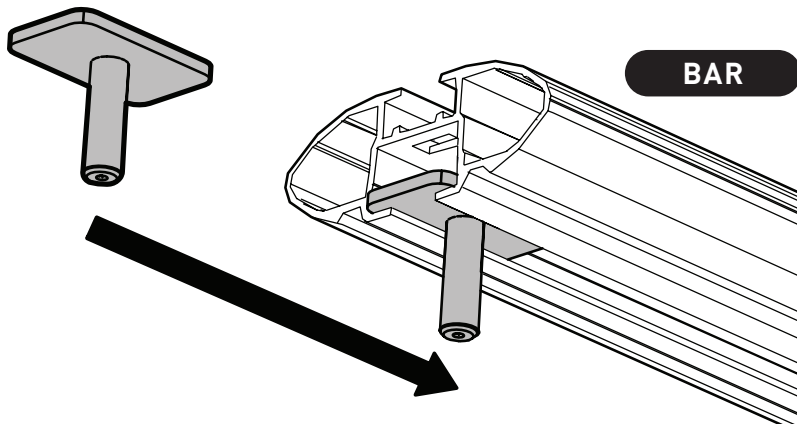




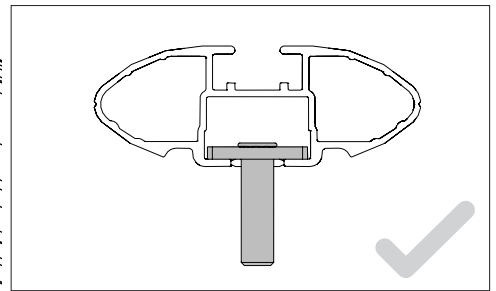
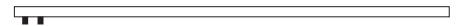
**7a** VA BAR/RECONN-DECK BAR INSTALLATION

VA CROSSBAR

**B** x2

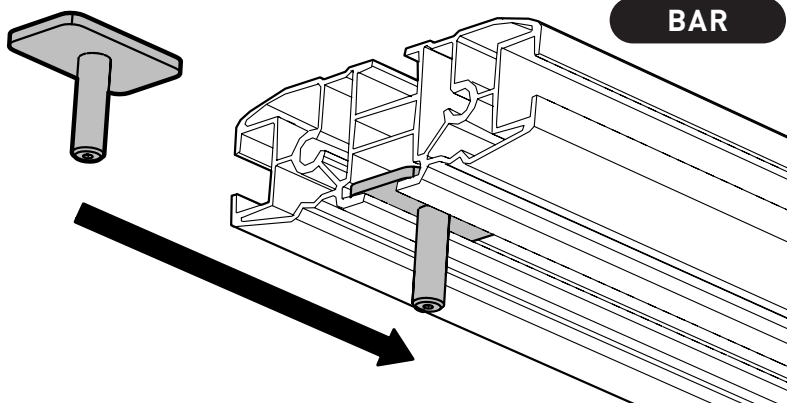


FRONT VIEW

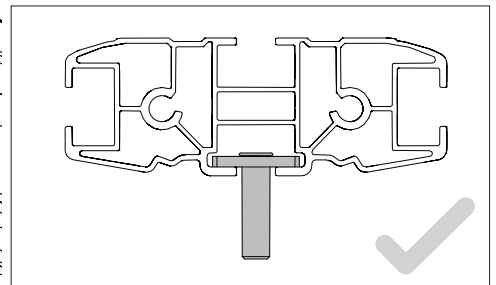


RECONN-DECK BAR

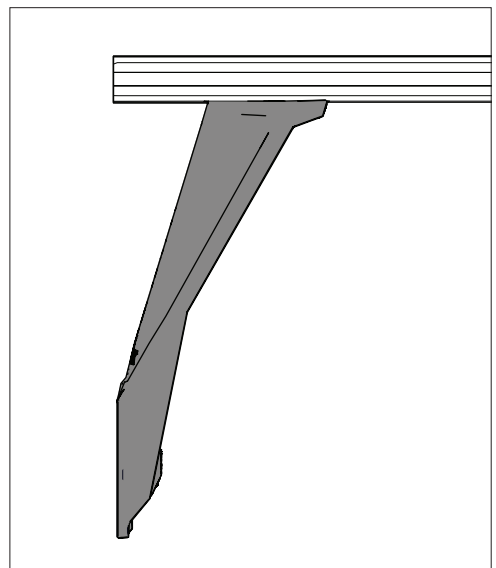
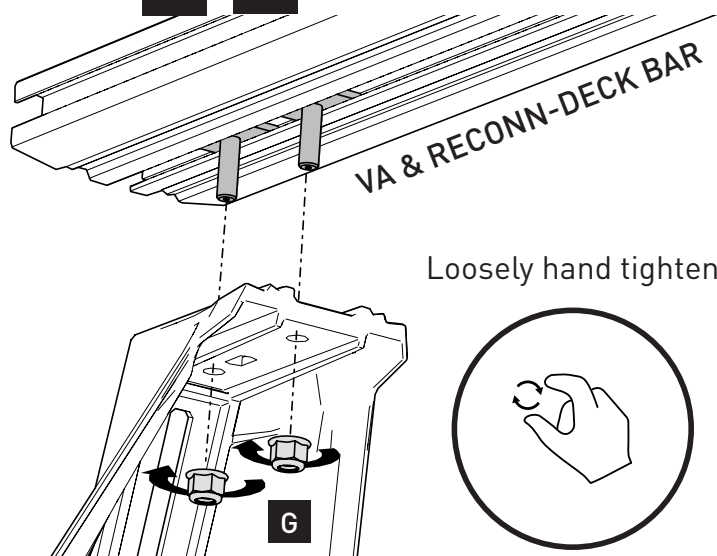
**B** x2



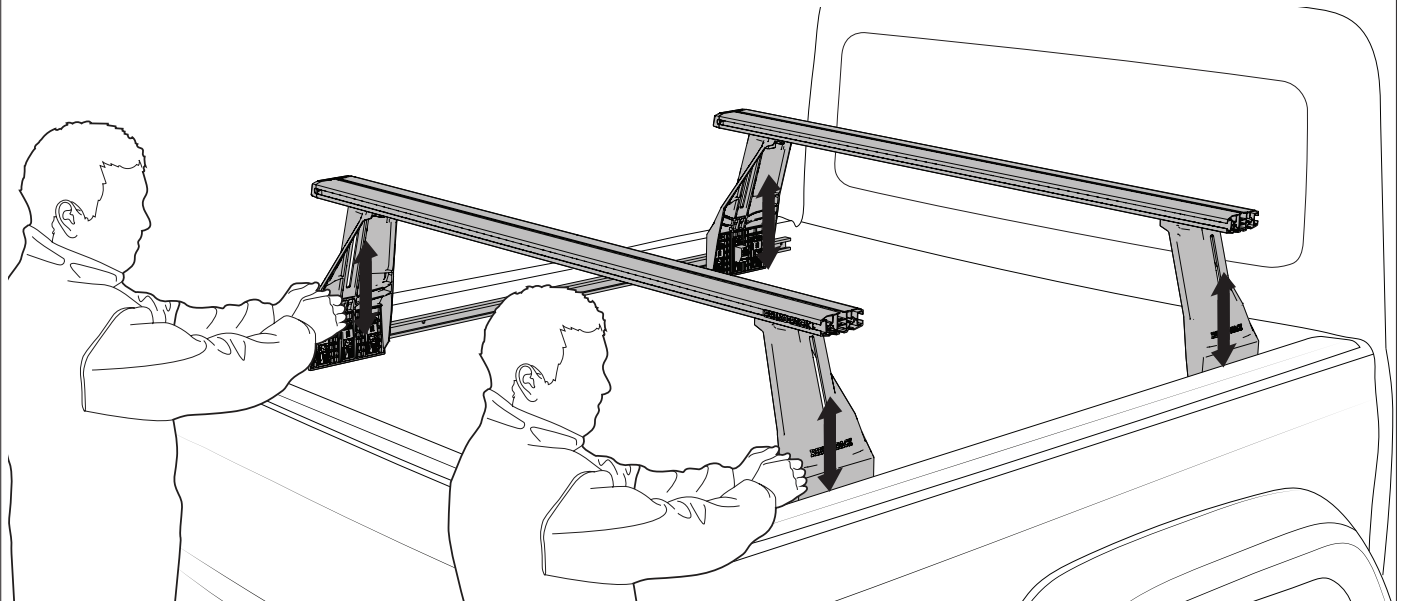
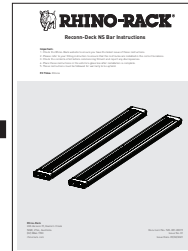
FRONT VIEW



**7b** Repeat Steps **7a** - **7b** to opposite side

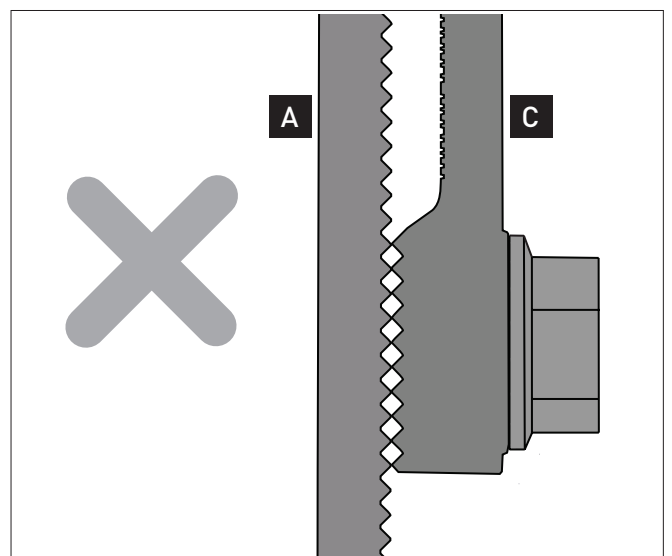
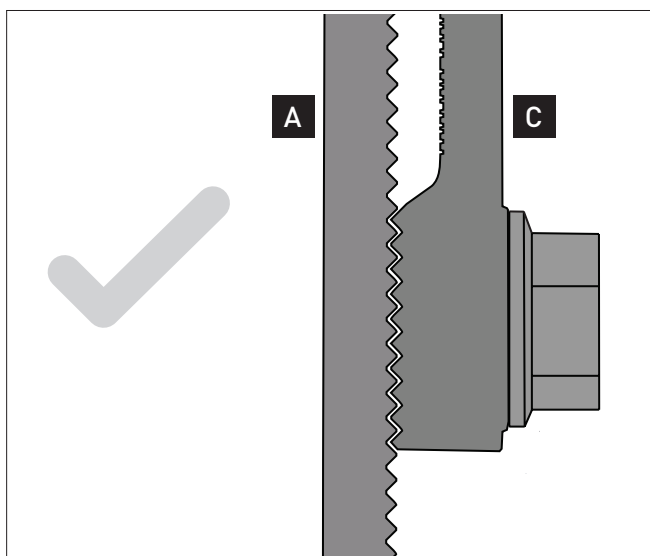
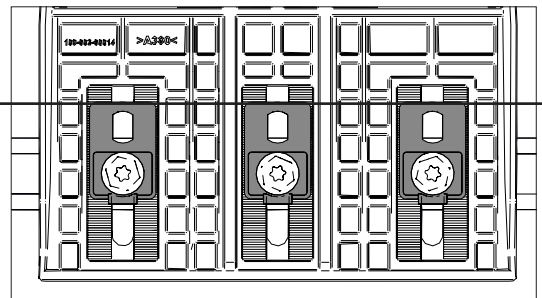
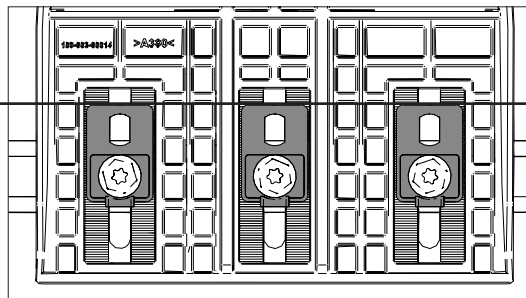
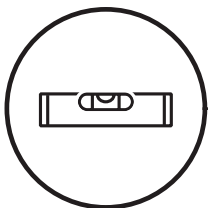


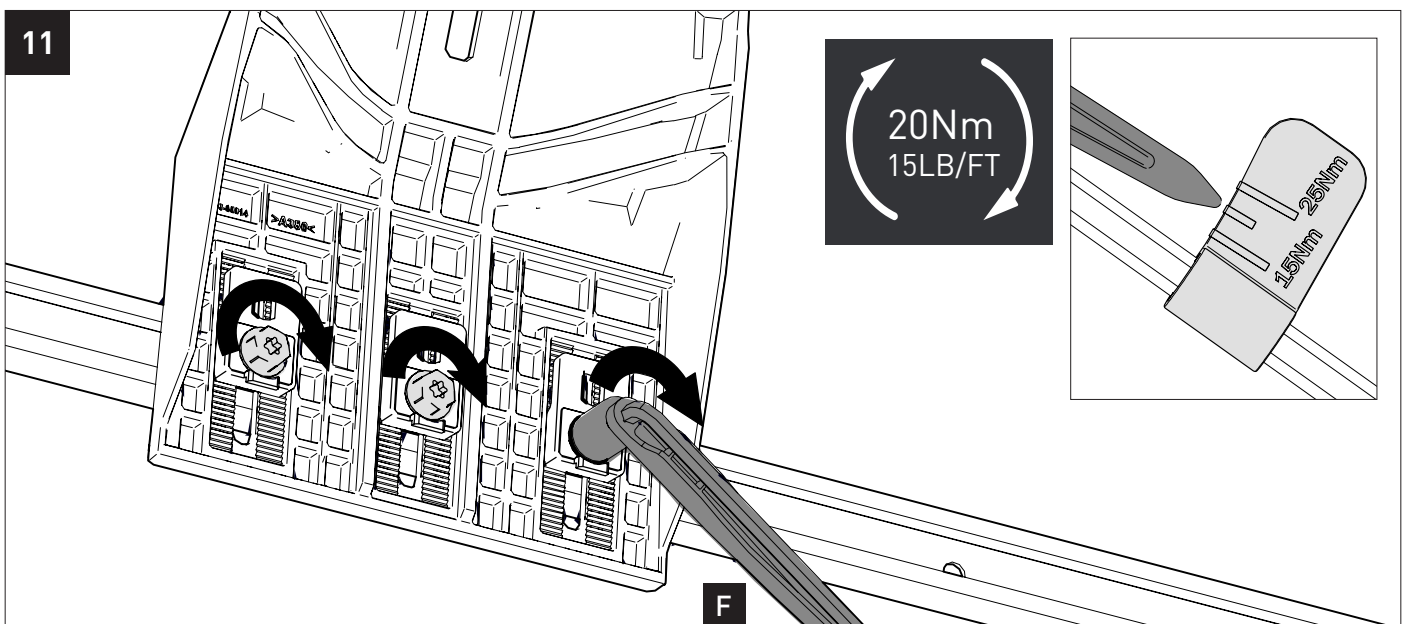
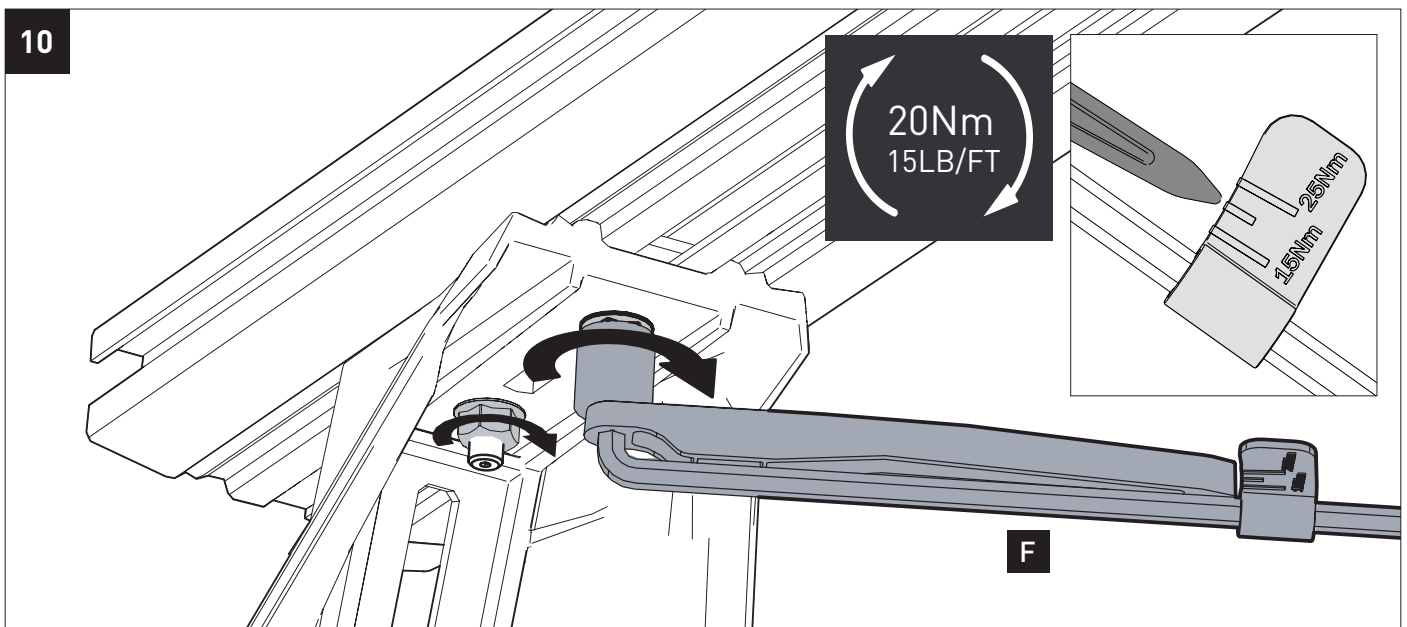
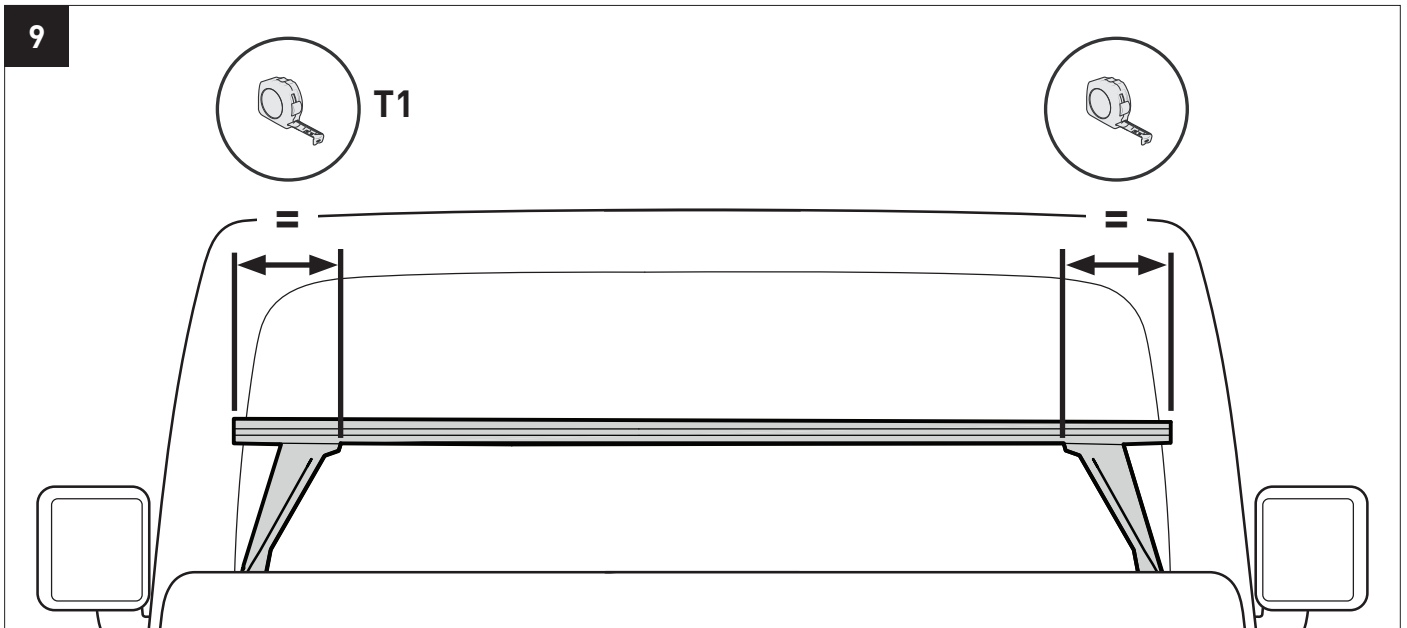
**8** Check towers are at correct height and Locking Serrated Washers **C** are correctly engaged. If installing Reconn-Deck NS Bars skip this step and proceed to its' installation instruction.

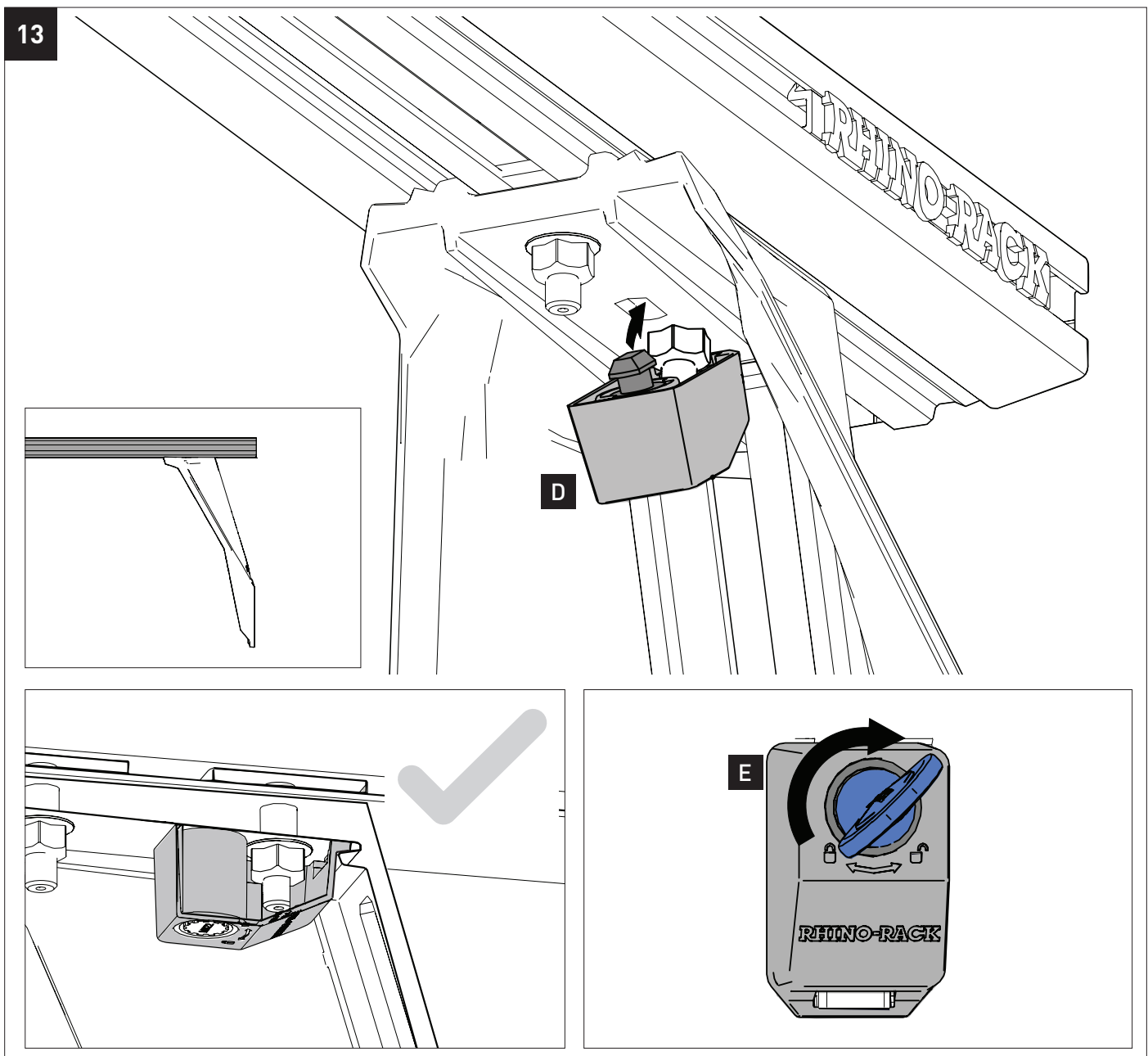
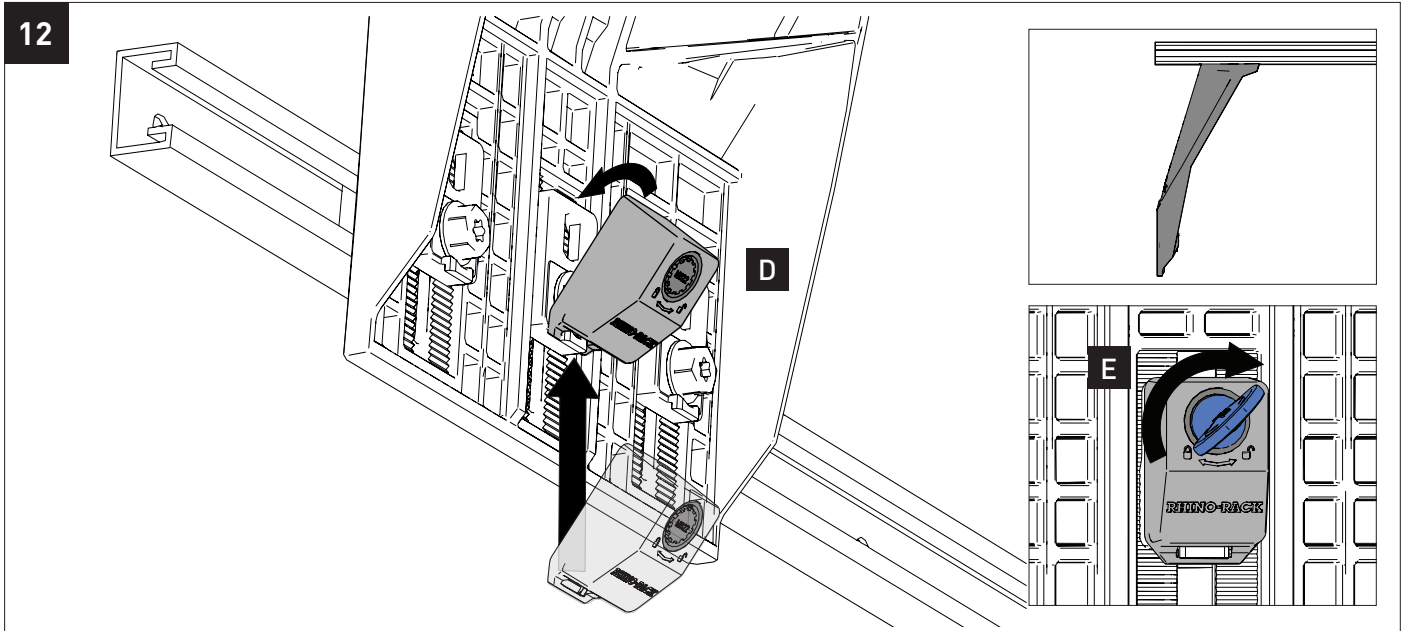


LH

RH

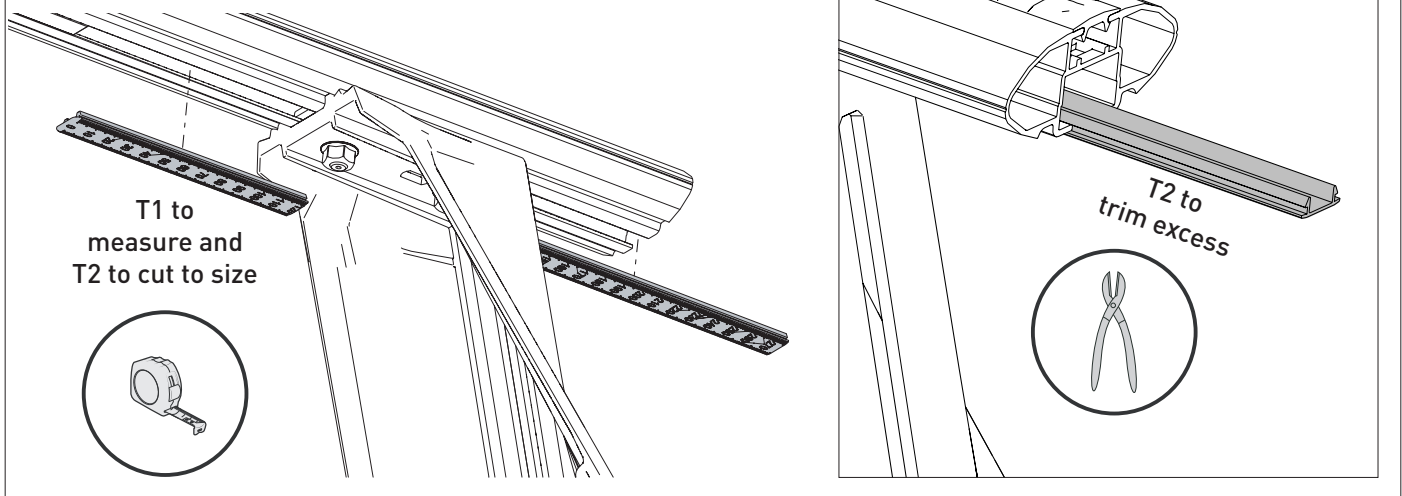




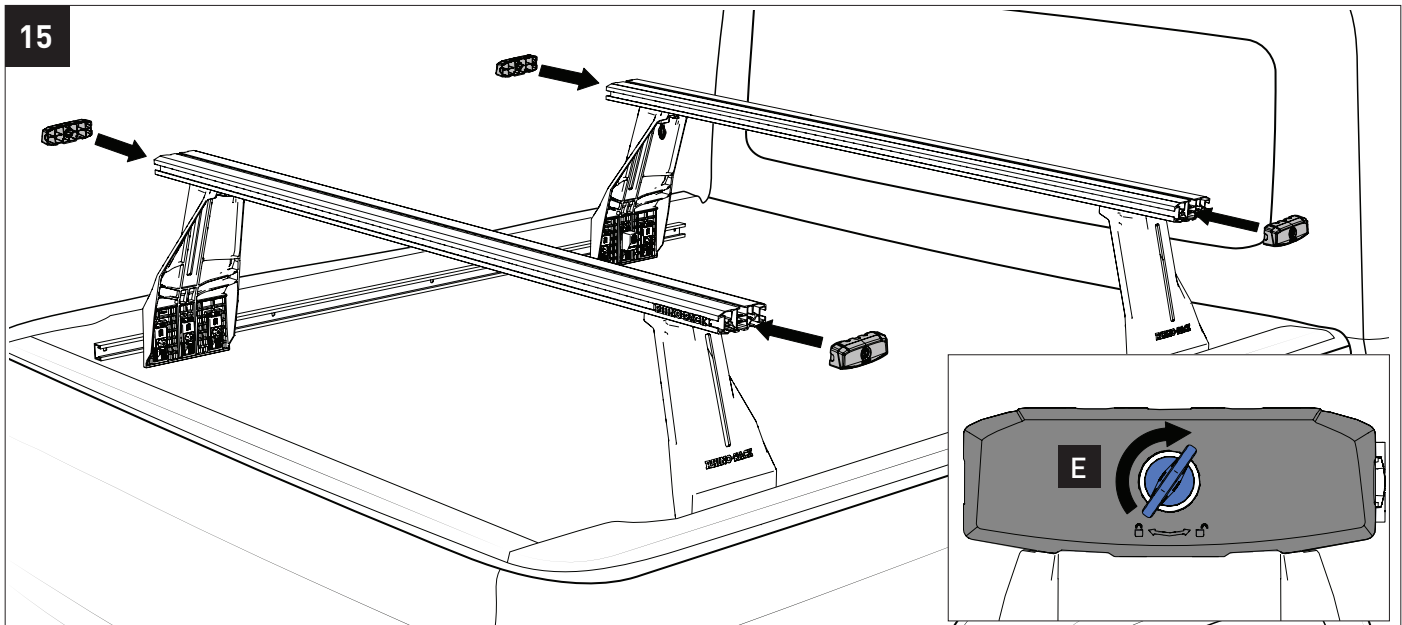


**14 VA BAR ONLY**

Insert measure strips to underside of all VA bars



**15**



**16**

