



RHINO-RACK®

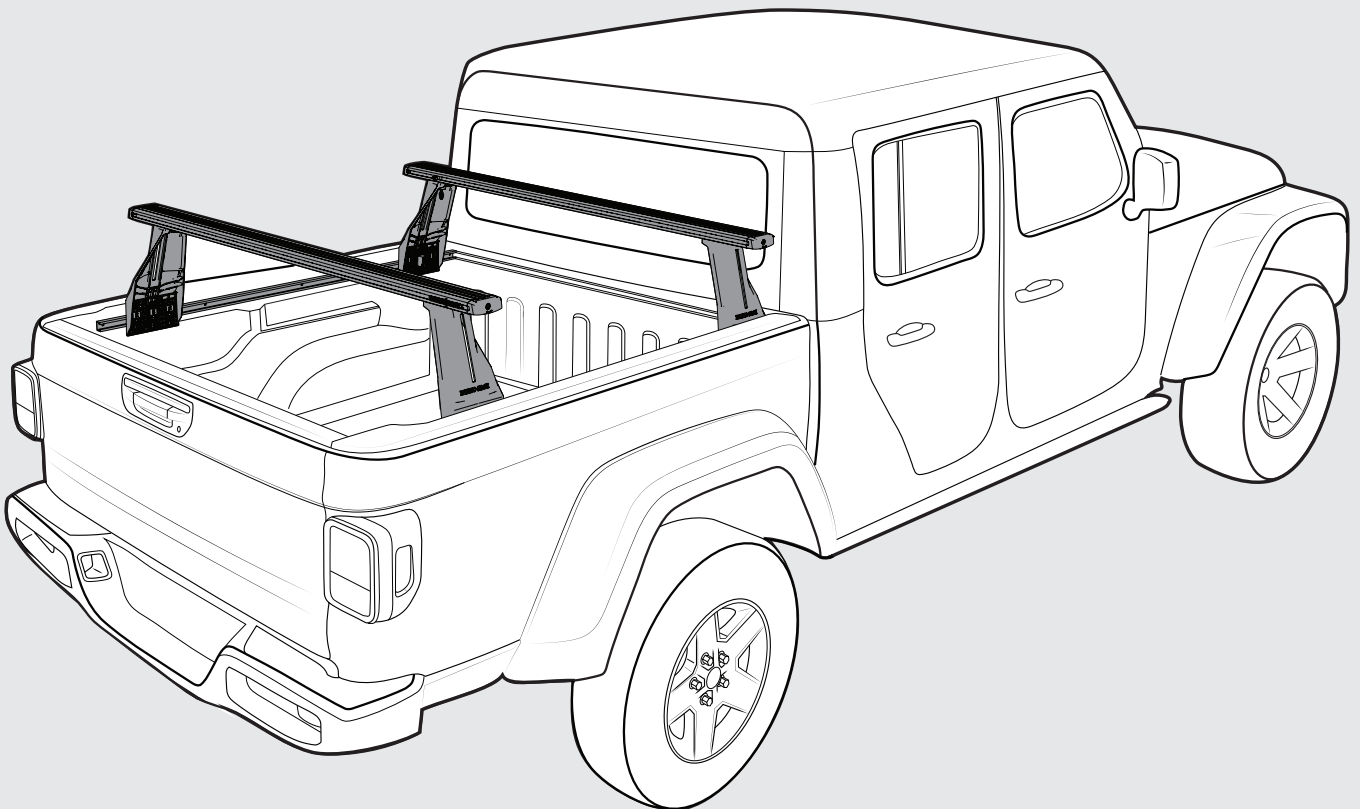
Reconn-Deck Tower Instructions

RDT2, RDT4

Important:

1. Check the Rhino-Rack website to ensure you have the latest issue of these instructions.
2. Please refer to your fitting instruction to ensure that the roof racks are installed in the correct locations.
3. Check the contents of kit before commencing fitment and report any discrepancies.
4. Place these instructions in the vehicle's glove box after installation is complete.
5. These instructions must be followed for warranty to be upheld.

Fit Time: 1 hour



RDT Instructions

Carrying Capacity

Max system load capacity:

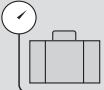
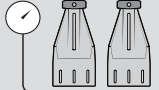
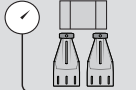
Check your vehicle owners hand book for vehicle maximum carrying capacity. Please ensure you use the vehicle manufacturer's maximum load allowance if it is lower than the figure listed in this instruction. Refer to your vehicle specific fitting supplement as the load limit varies between each system.

Load must be evenly distributed over the system.

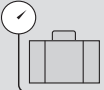
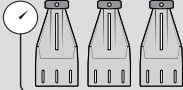

Custom fit load rating guide:

If you are assembling a custom configuration not listed by Rhino Rack, ensure you include the total system weight into the vehicle load limit/total allowance. Use the below as a guide to calculate the cargo allowance.

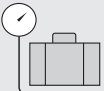
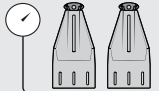
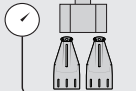
2 Tower Recon-Deck Bar

		
CARGO ALLOWANCE	SYSTEM WEIGHT	TOTAL ALLOWANCE
Up to 134.5kg / 295lbs	+ 16kg / 35lbs	= Up to* 150kg / 330lbs

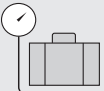
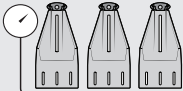
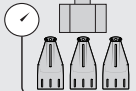
3 Tower Recon-Deck Bar

		
CARGO ALLOWANCE	SYSTEM WEIGHT	TOTAL ALLOWANCE
Up to 126kg / 277lbs	+ 24kg / 53lbs	= Up to* 150kg / 330lbs

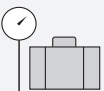
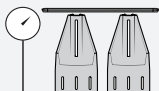
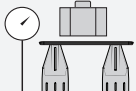
2 Tower Vortex Bar

		
CARGO ALLOWANCE	SYSTEM WEIGHT	TOTAL ALLOWANCE
Up to 88.5kg / 195lbs	+ 11.5kg / 25lbs	= Up to* 100kg / 220lbs

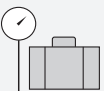
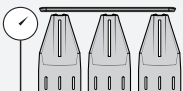
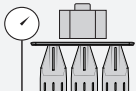
3 Tower Vortex Bar

		
CARGO ALLOWANCE	SYSTEM WEIGHT	TOTAL ALLOWANCE
Up to 82.5kg / 181.5lbs	+ 17.5kg / 38.5lbs	= Up to* 100kg / 220lbs

2 Tower Pioneer Platform

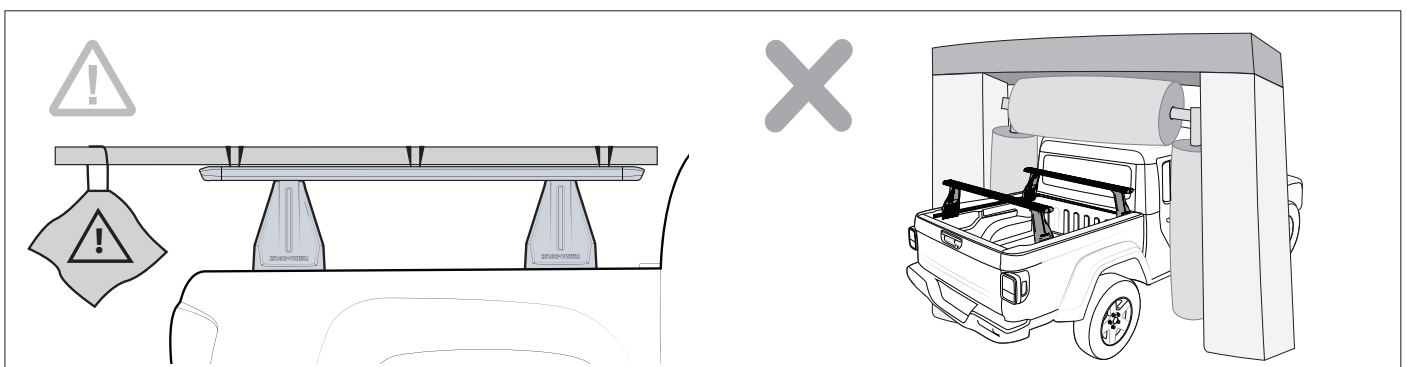
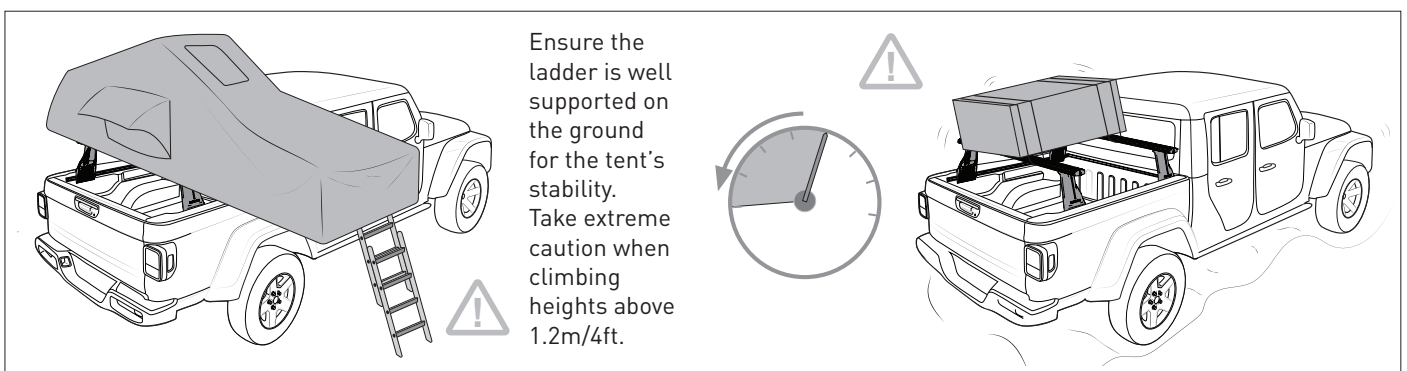
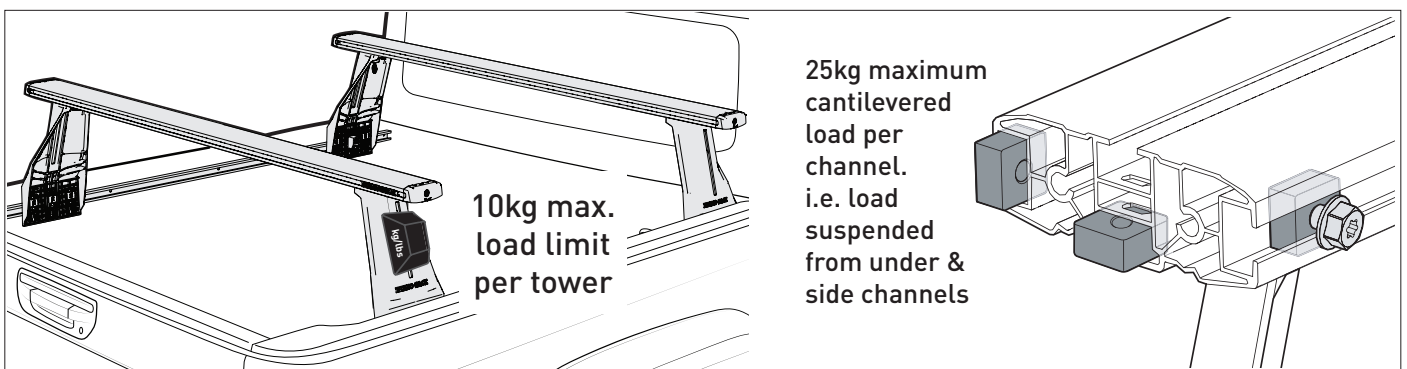
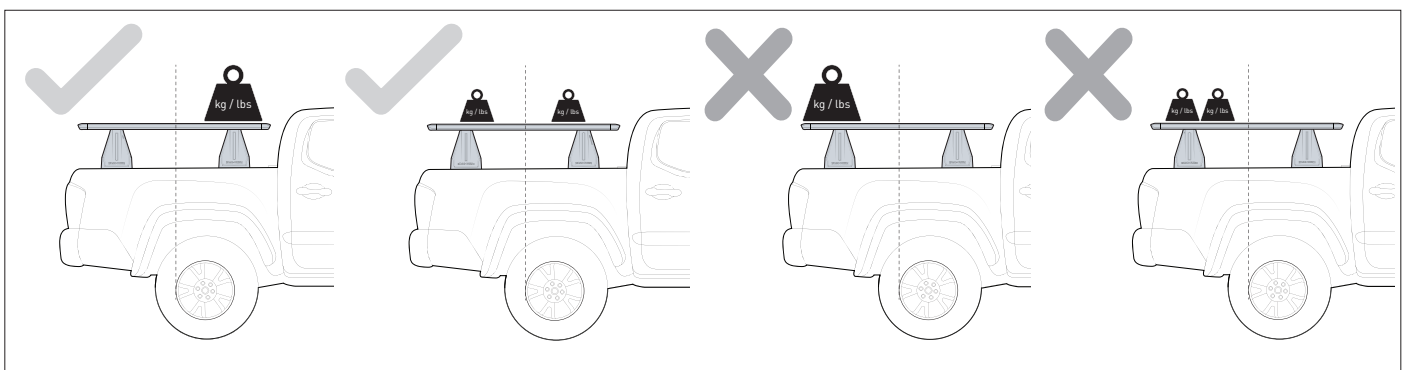
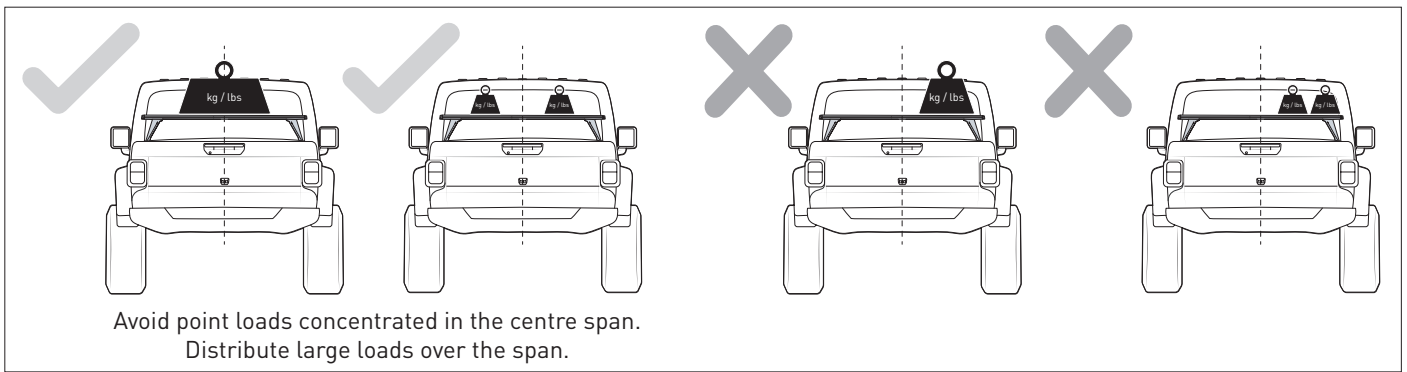
		
CARGO ALLOWANCE	SYSTEM WEIGHT	TOTAL ALLOWANCE
Up to 93kg / 205lbs	+ 27kg / 60lbs	= Up to* 120kg / 265lbs

3 Tower Pioneer Platform

		
CARGO ALLOWANCE	SYSTEM WEIGHT	TOTAL ALLOWANCE
Up to 89kg / 196.5lbs	+ 31kg / 68.5lbs	= Up to* 120kg / 265lbs

* USE THE VEHICLE MANUFACTURER'S MAXIMUM LOAD ALLOWANCE IF IT IS LOWER THEN THE FIGURE LISTED, AND THEN RE-CALCULATE THE CARGO ALLOWANCE

RDT Instructions



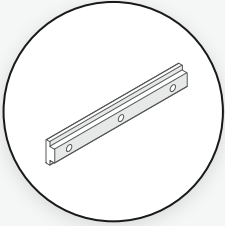
RDT Instructions

System Components

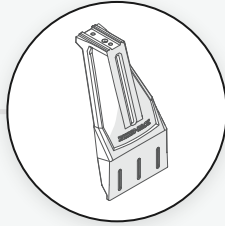
To complete the Reconn-Deck system you will need the base, tower & bar kits (accessories are recommended)

RECONN-DECK SYSTEM COMPONENTS

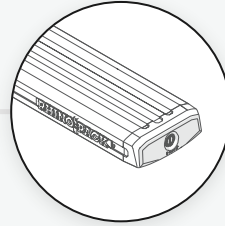
BASE



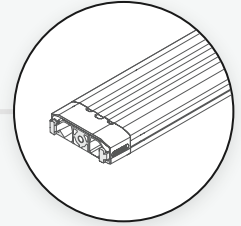
TOWER



BAR



ACCESSORY



Warning

- Check part number or kit is correct for use with your vehicle.
- Do not attempt to fit system to your vehicle unless you fully understand these fitting instructions. Please direct any questions regarding fitting to the dealer from where it was purchased from.
- Off-road conditions can be rigorous. Extreme care must be taken on any driven path that does not contain a surface protection layer.
- Always ensure you fasten your load securely.
- Use only non-stretch fastening ropes or straps to attach cargo to your load.

In Service Maintenance Checks

- All bolted connections should be checked after driving a short distance after installation.
- All bolted connections should be checked again at regular intervals (every 1000k (621mi) is recommended, depending on road conditions, usage, loads and distances travelled). All bolted connections should also be checked each time they are re-fitted.
- All bolted connections should be checked each time they are re-fitted.
- Off-road conditions are more rigorous. Check all bolted connections and your load more regularly.
- Ensure that your vehicle manufacturer's GVM, and gross axle weights are not exceeded (refer to vehicle owner's manual).

Torque Settings

Unless stated otherwise in these instructions, all fasteners should be set to the following torque settings -

M6: 4-5Nm (3-4lbs/ft),

M8: 8-10Nm (6-7.5lbs/ft) and

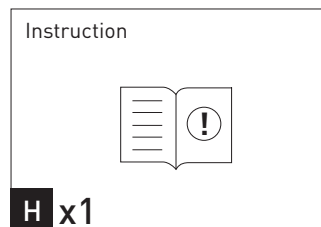
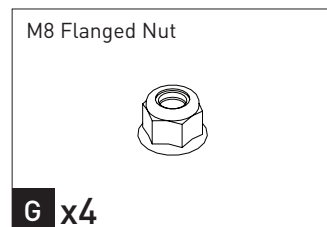
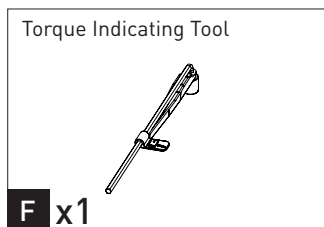
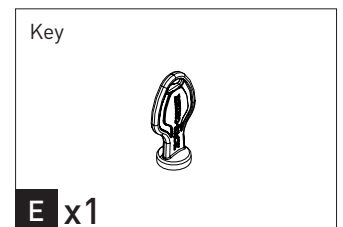
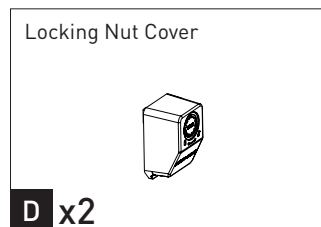
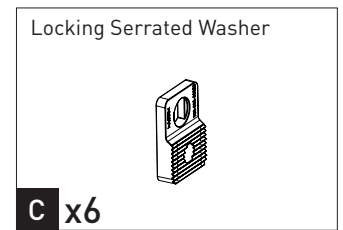
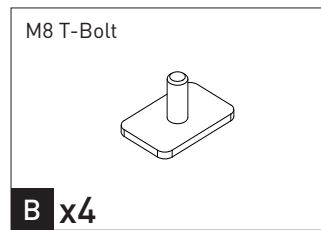
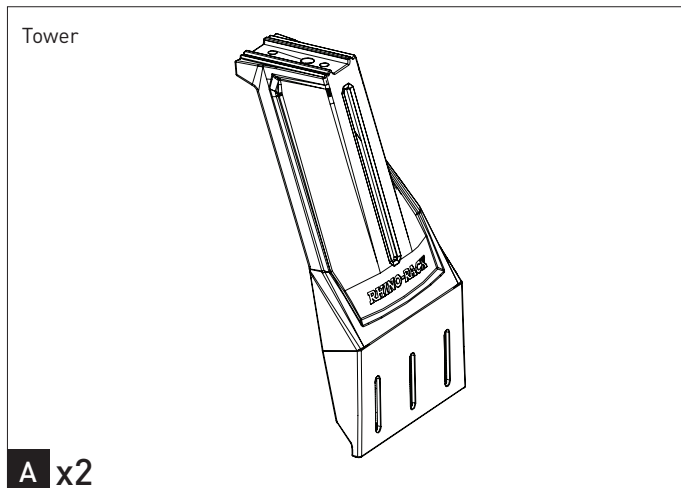
M10: 16-18Nm (12-13lbs/ft).

Note for Dealers and Fitters

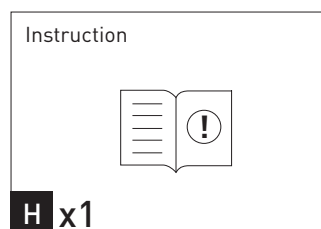
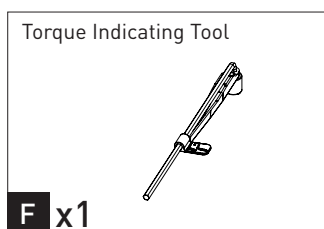
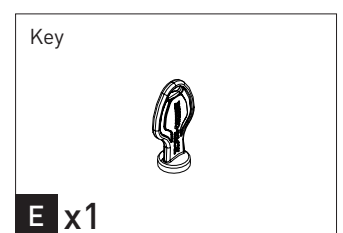
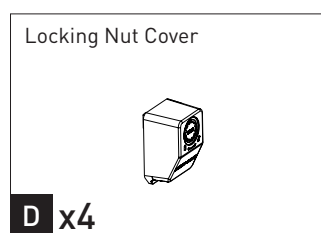
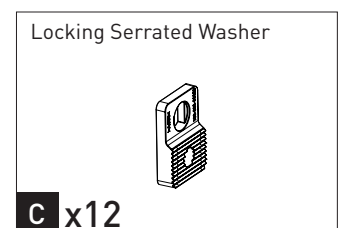
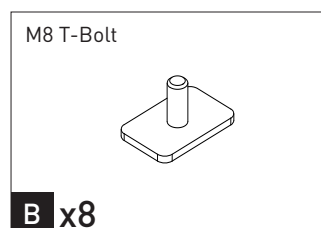
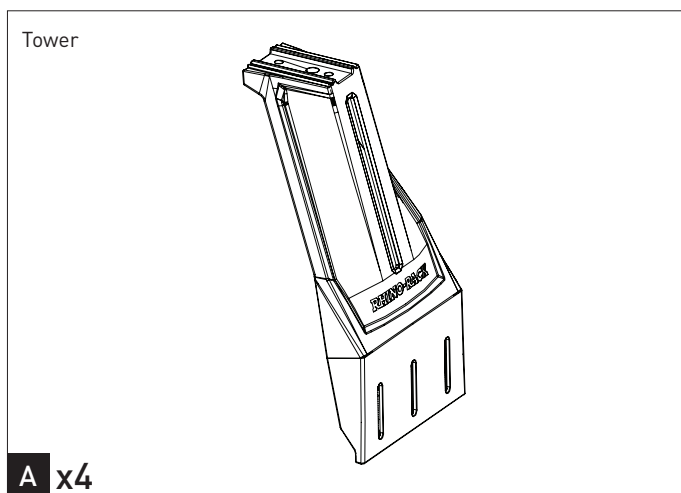
It is your responsibility to ensure these fitting instructions are given to the end user or client. These instructions remain the property of Rhino-Rack Australia Pty. Ltd. and may not be used or changed for any other purpose than intended.

RDT Instructions

TOWER RDT2 Parts List



TOWER RDT4 Parts List

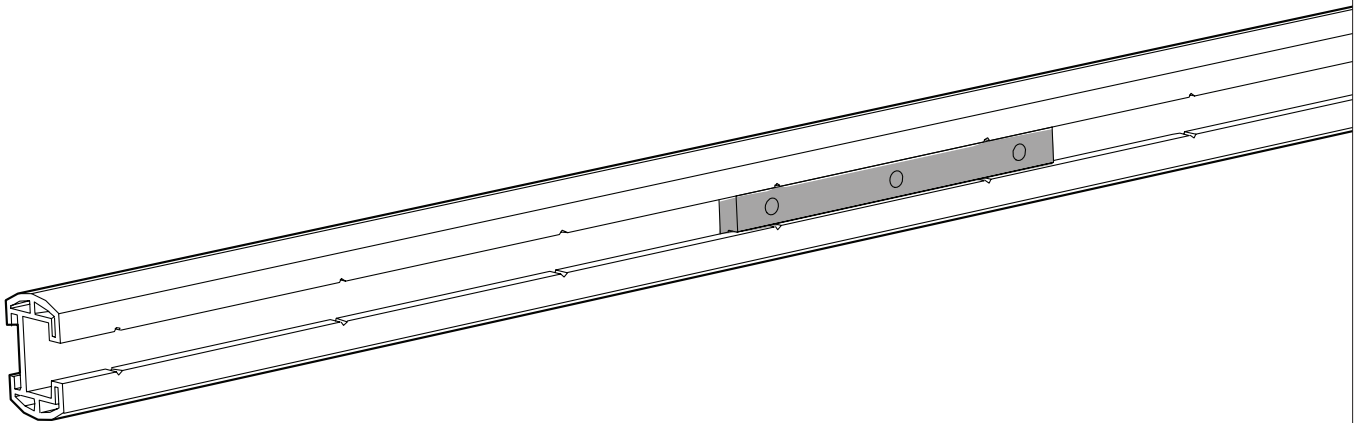


Tools Required

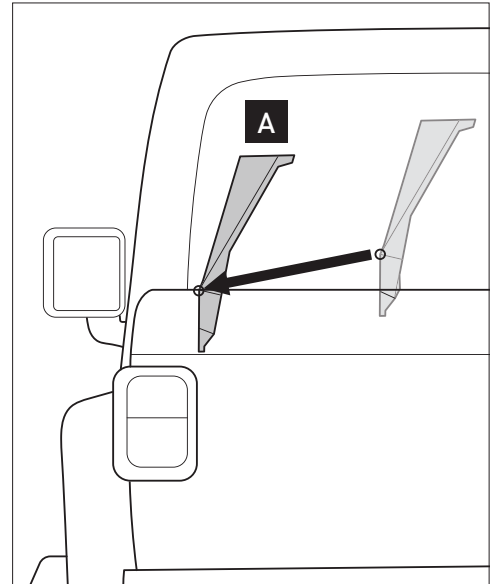
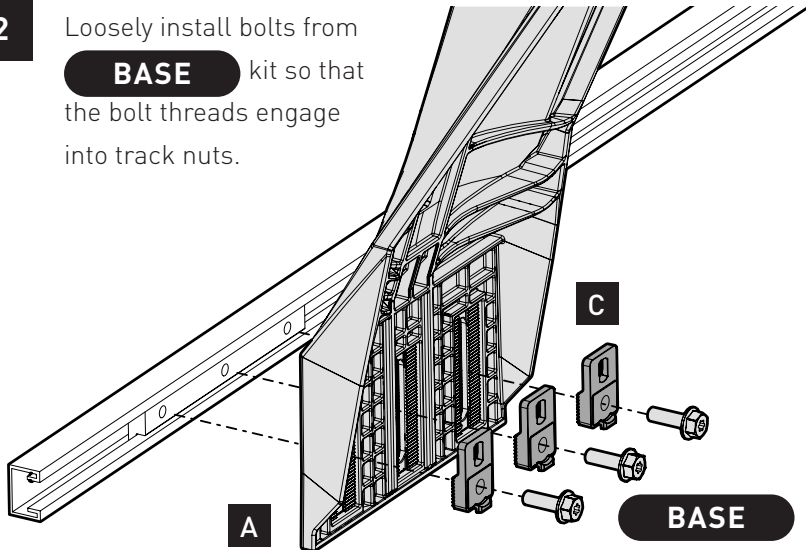
T1 - Tape Measure

T2 - Side cutters/Scissors

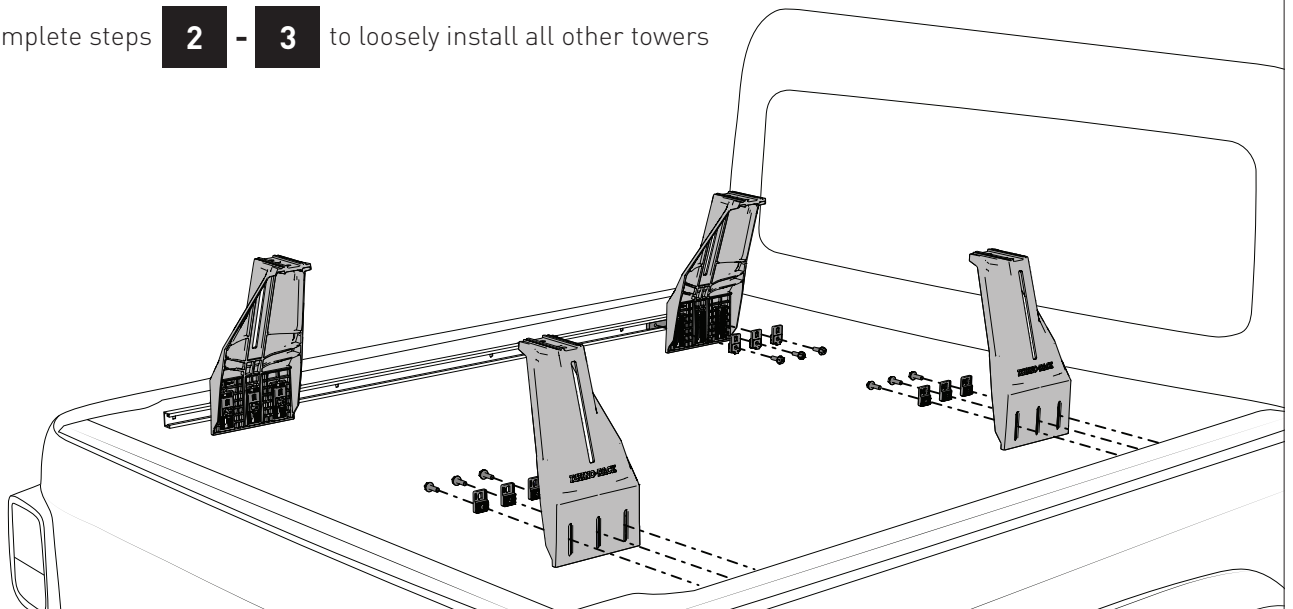
1 A# OF **BASE** INSTALLED INTO TRACK



2 Loosely install bolts from **BASE** kit so that the bolt threads engage into track nuts.



3 Complete steps 2 - 3 to loosely install all other towers



4

Adjust the towers to recommended tower positions. Tower positions vary depending on your vehicle & the bed rack system. When installing:

- **PIONEER PLATFORM:**

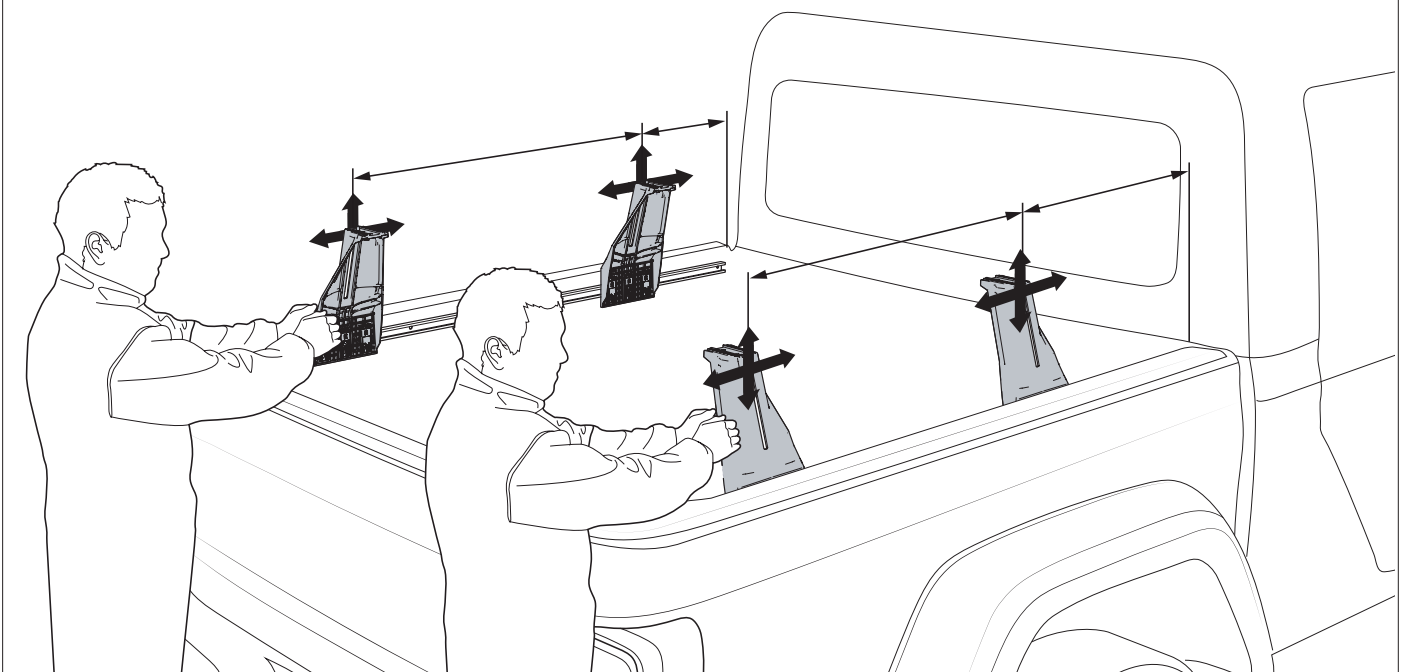
Refer to your vehicle's fit chart for its recommended tower positions.

Continue installation instructions only skipping step **7**

- **VA BAR/RECONN-DECK BAR:**

Refer to your vehicle's fitting supplement sheet for its recommended tower positions.

Continue installation instructions only skipping step **6**



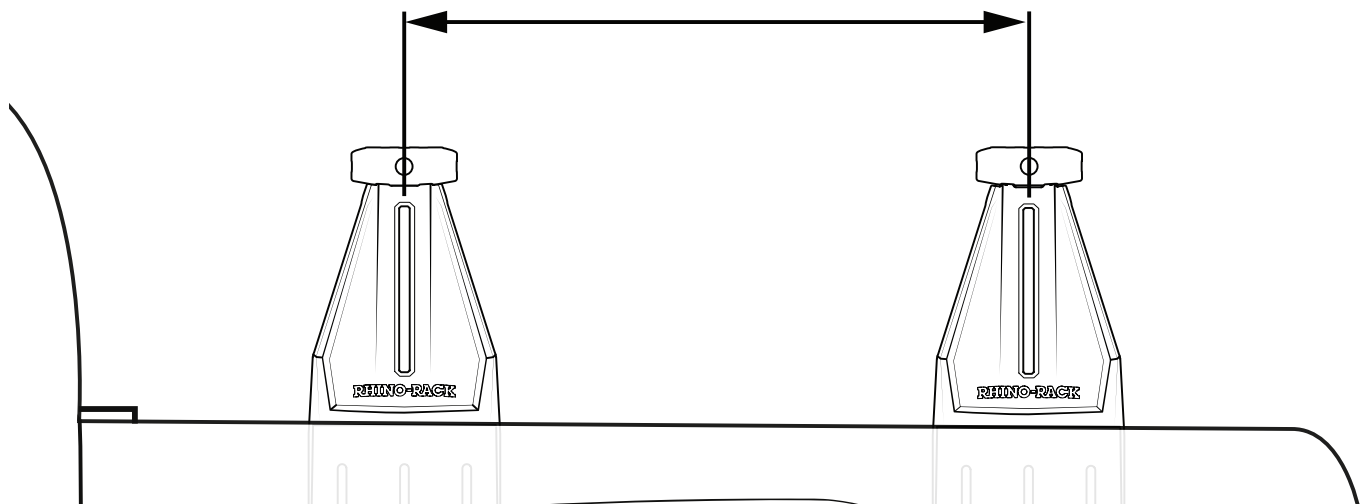
4a

MINIMUM & MAXIMUM TOWER SPACING GUIDE:

If there is not a recommended tower position for your vehicle use the following

2 BAR

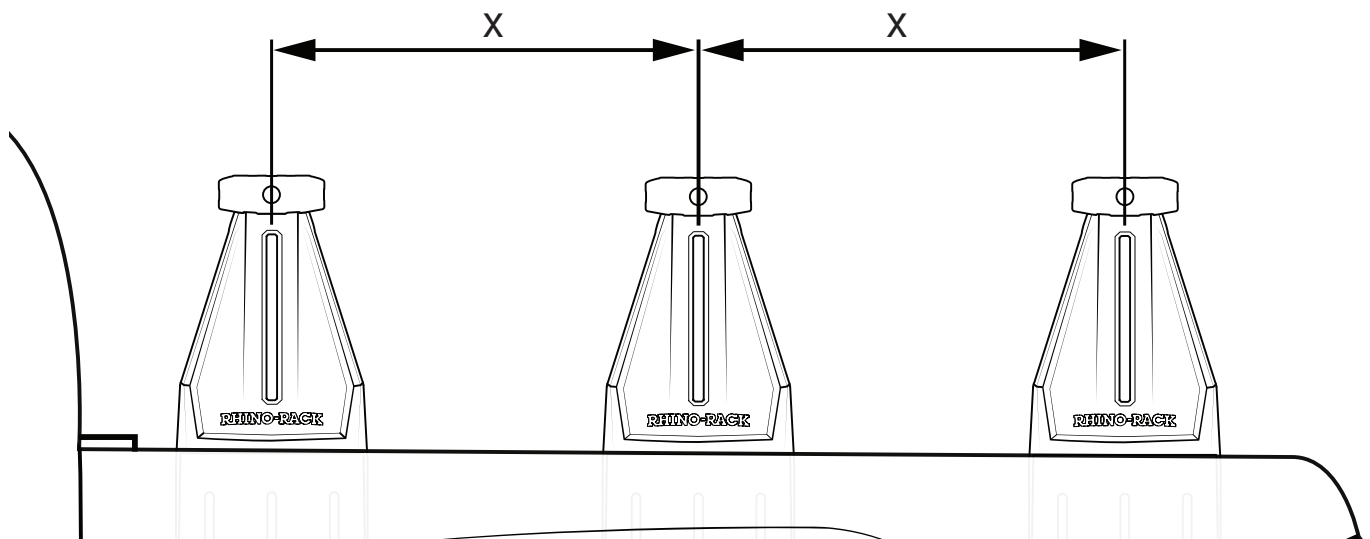
MIN.	680mm / 26.7in
MAX.	1180mm / 46.5in



3 BAR

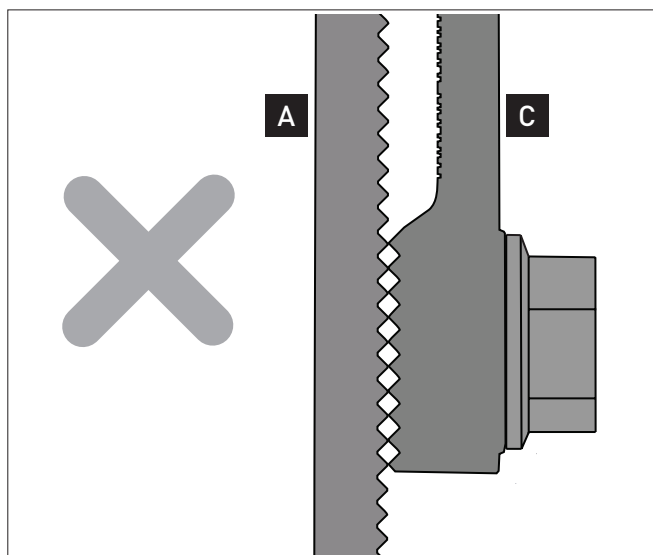
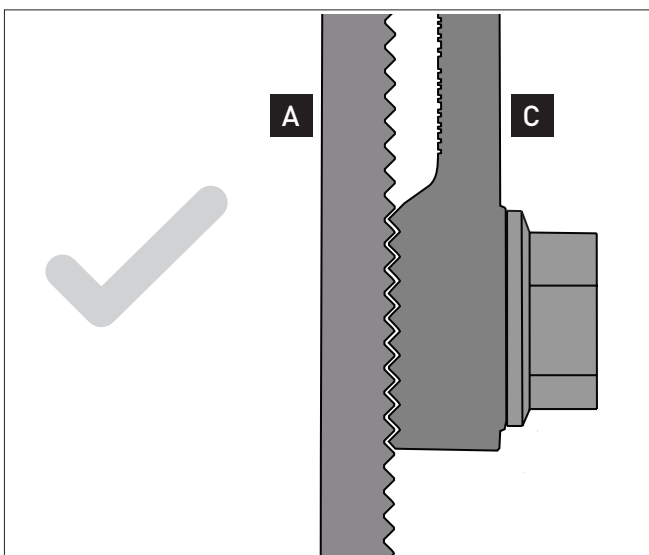
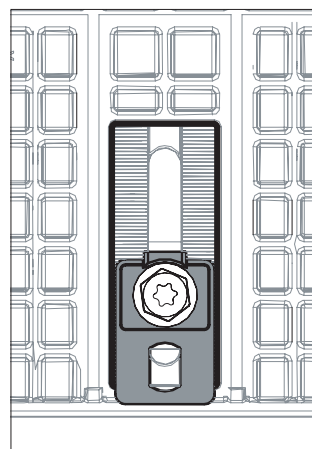
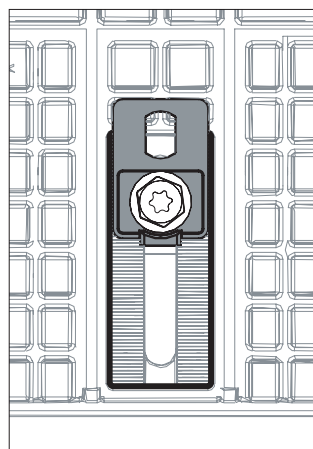
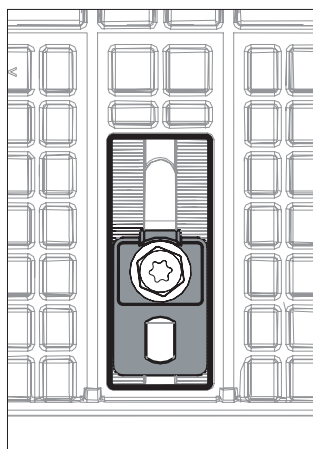
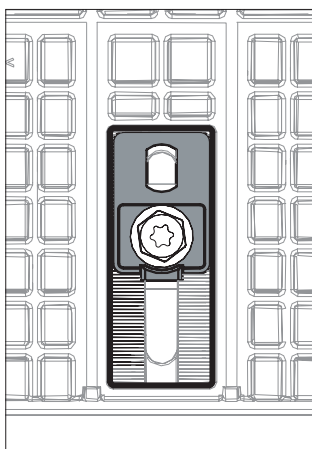
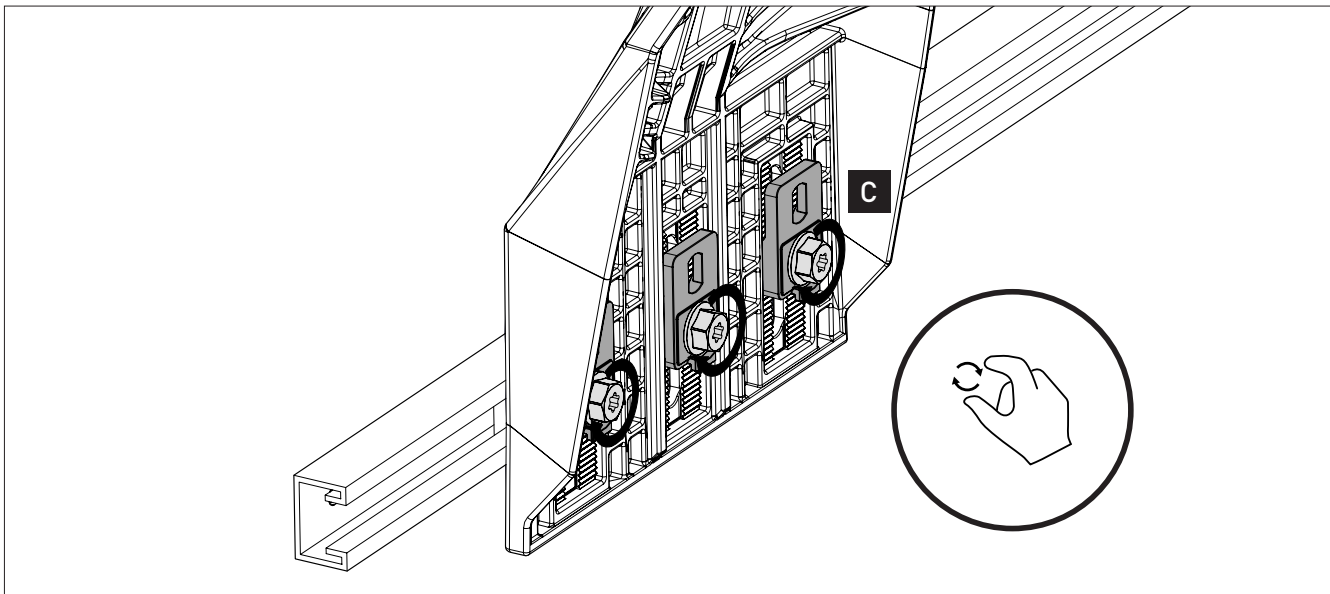
MIN.	450mm / 17.7in
------	----------------

Load must be distributed evenly across all towers.

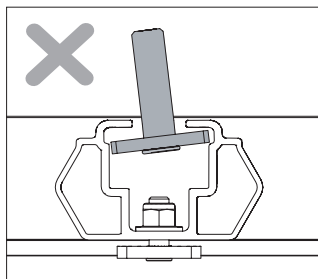
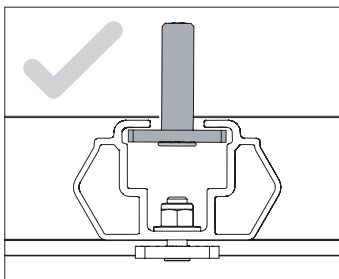
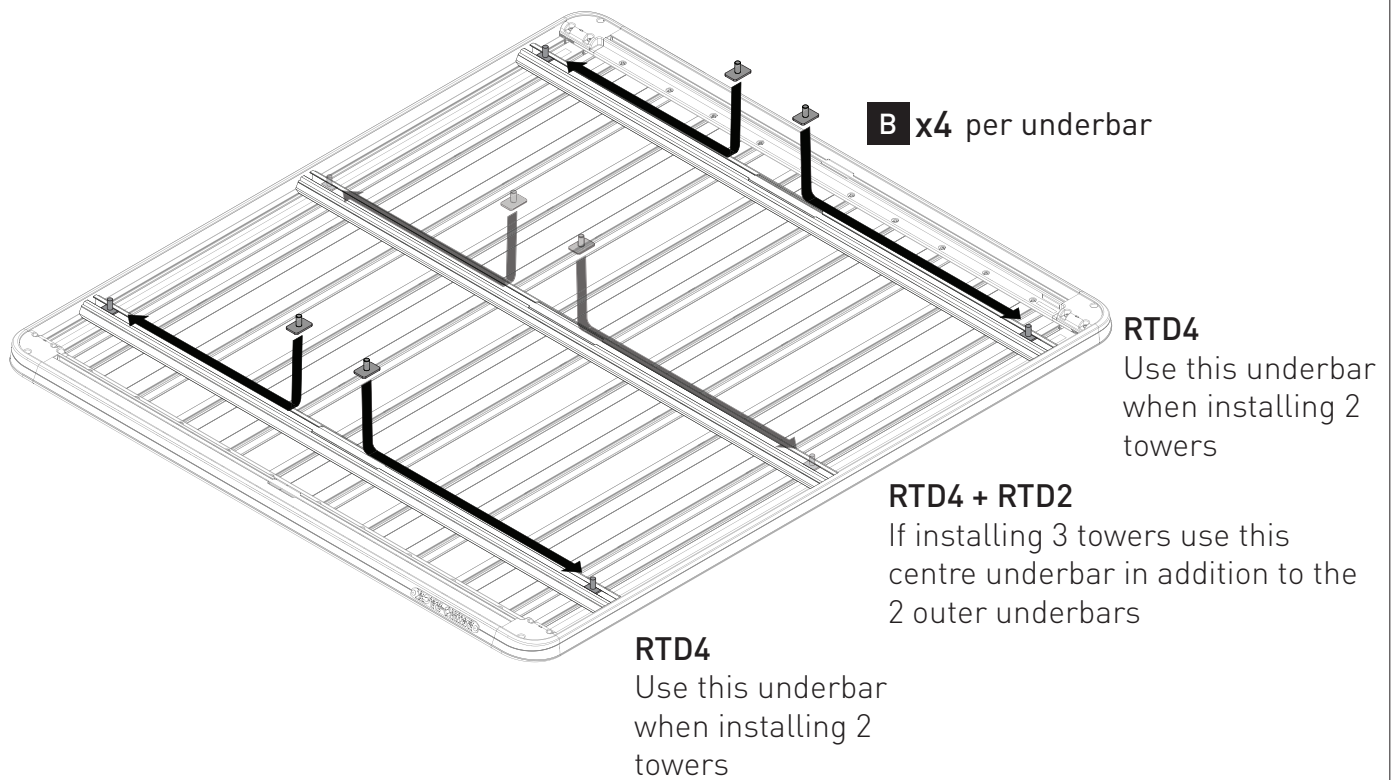


RDT Instructions

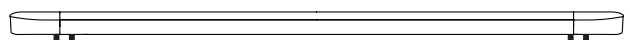
- 5 Finger tighten all bolts down to hold towers in position. Check Locking Serrated Washer's **C** are seated correctly (refer bottom image).



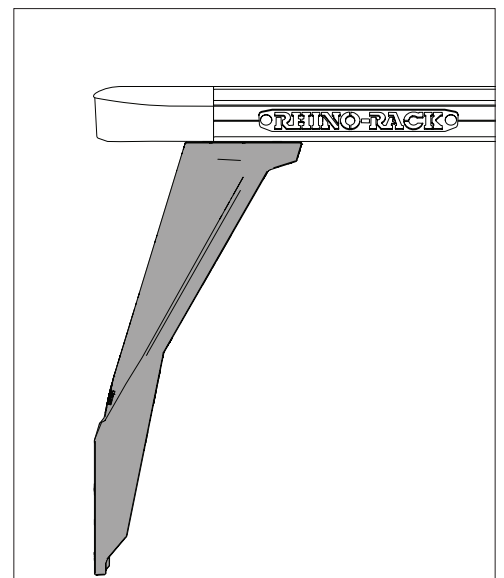
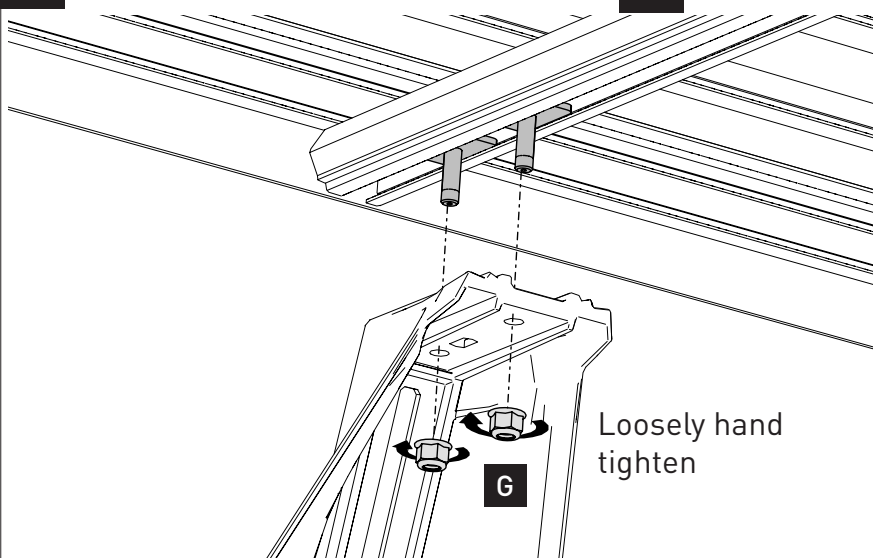
6a PIONEER PLATFORM INSTALLATION



FRONT VIEW



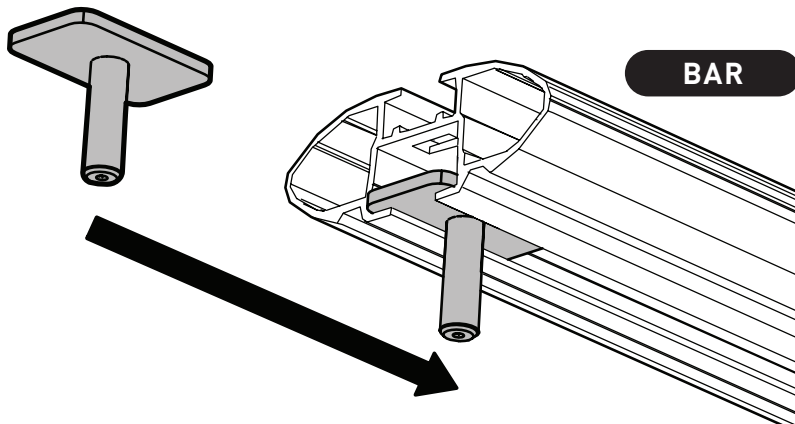
6b Repeat to opposite side then continue to Step **8**



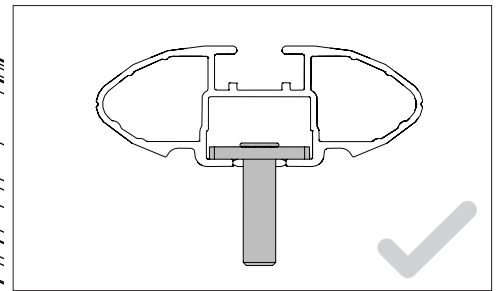
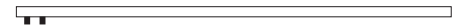
7a VA BAR/RECONN-DECK BAR INSTALLATION

VA CROSSBAR

B x2

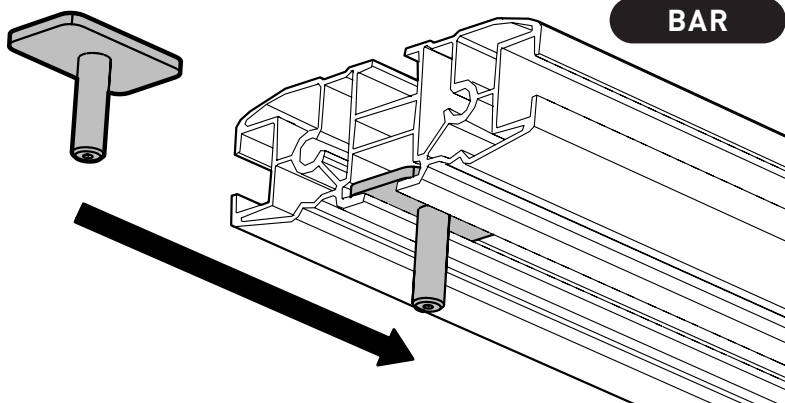


FRONT VIEW

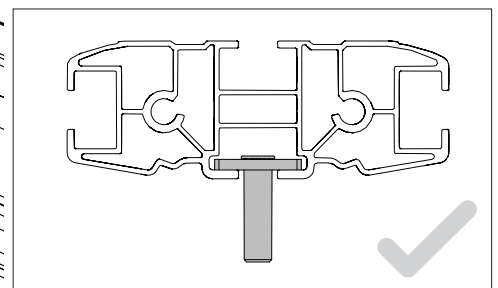


RECONN-DECK BAR

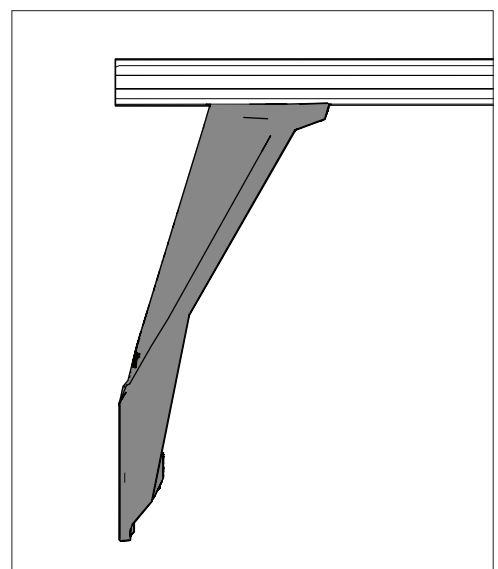
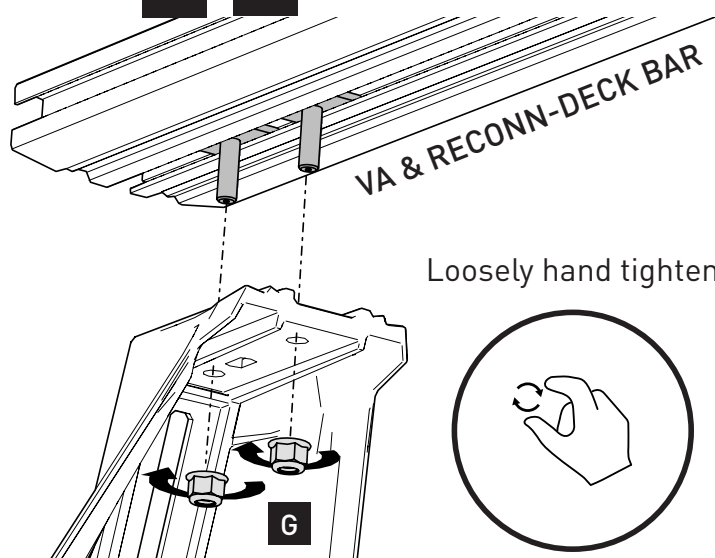
B x2



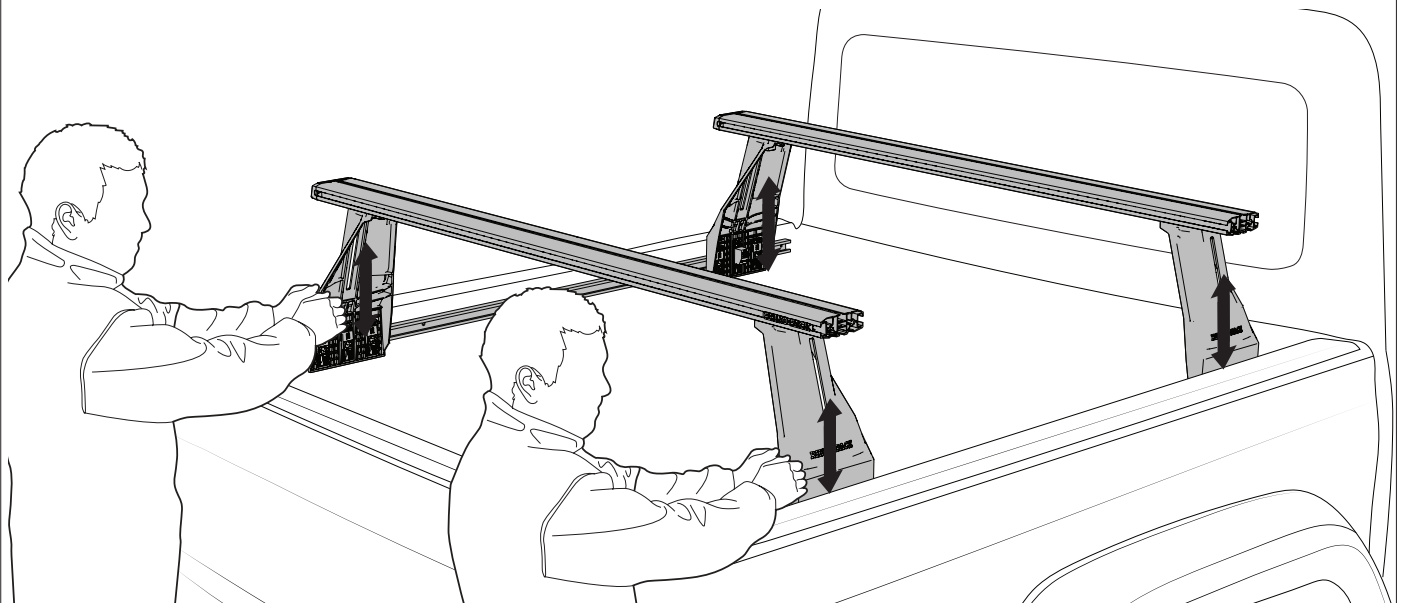
FRONT VIEW



7b Repeat Steps **7a** - **7b** to opposite side

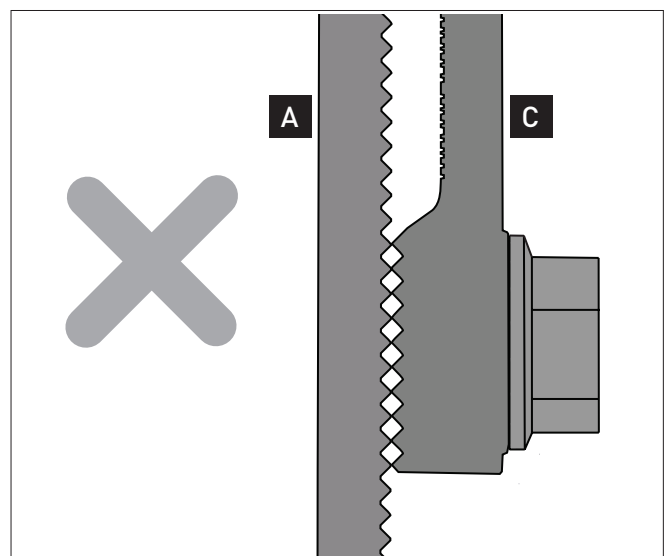
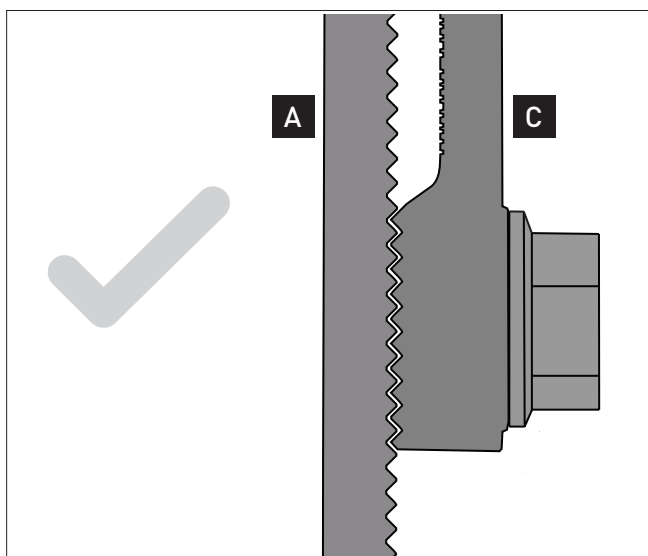
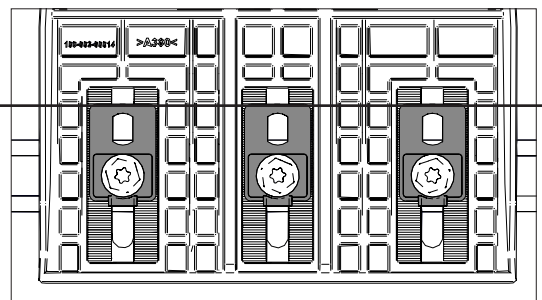
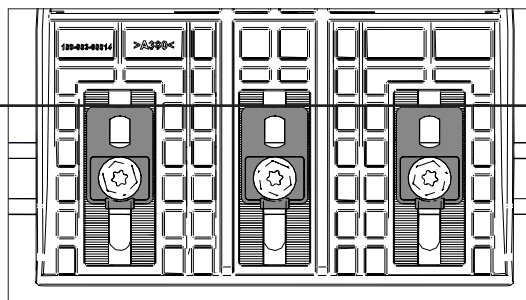
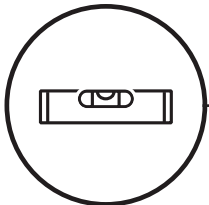


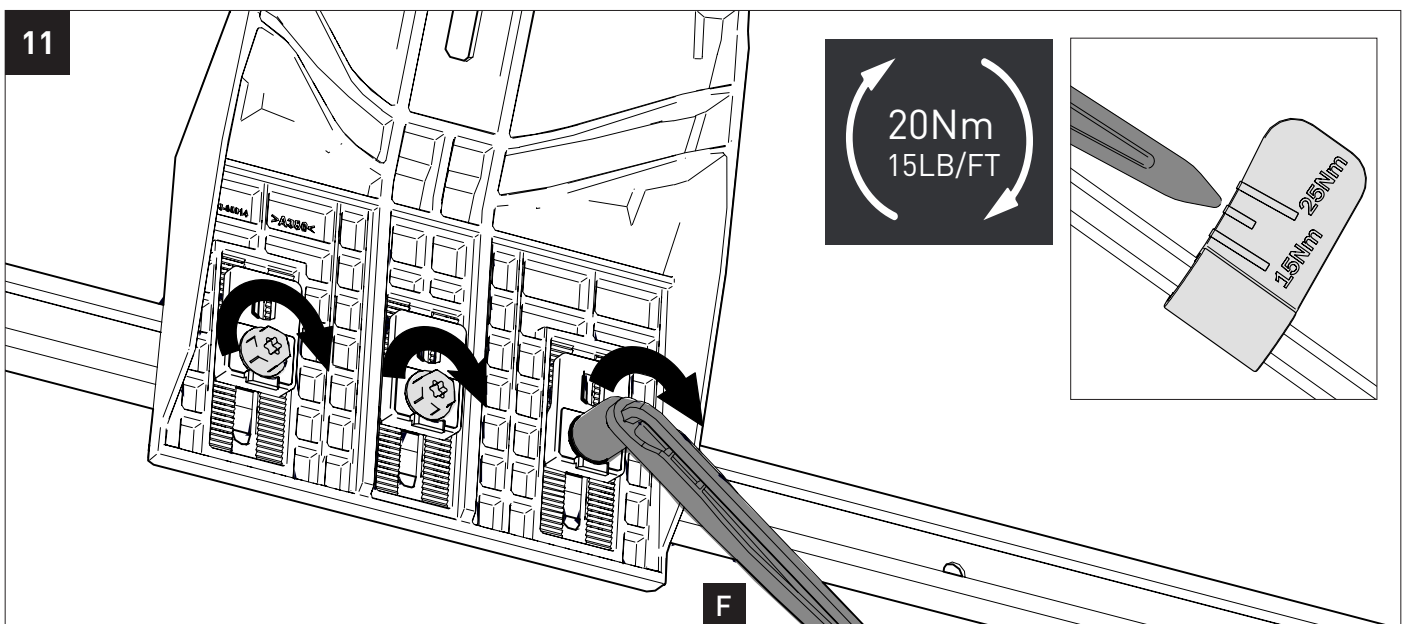
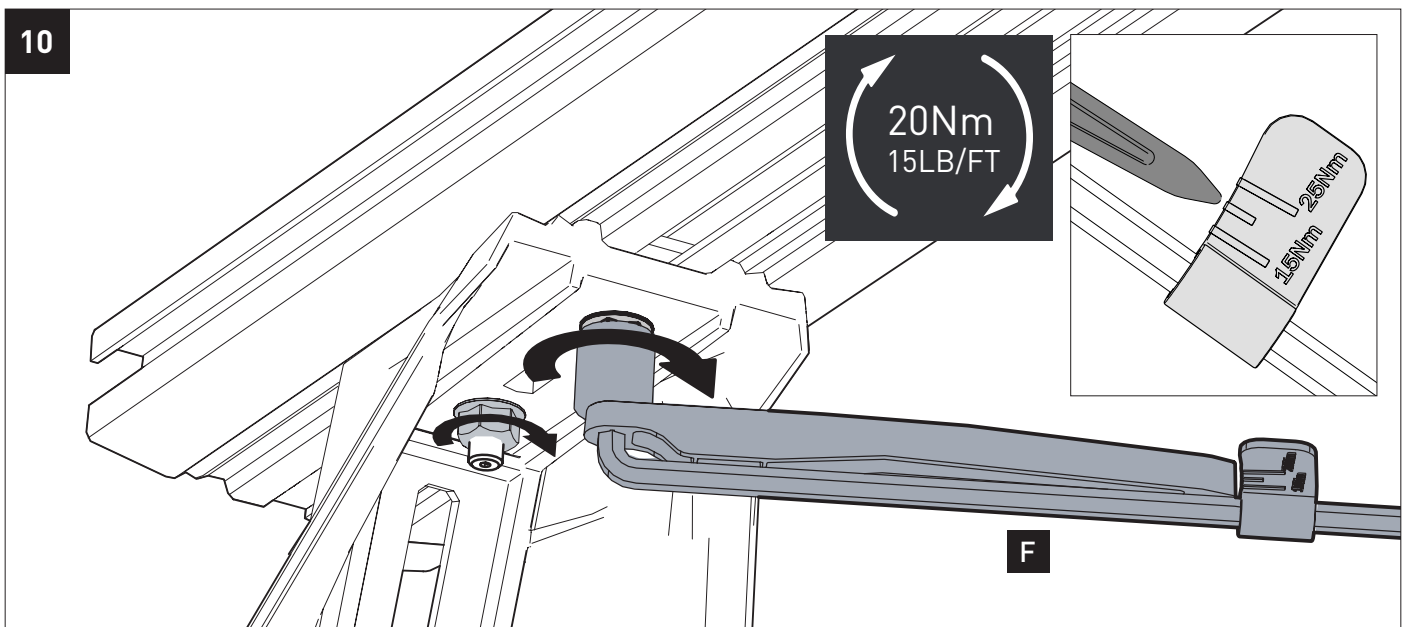
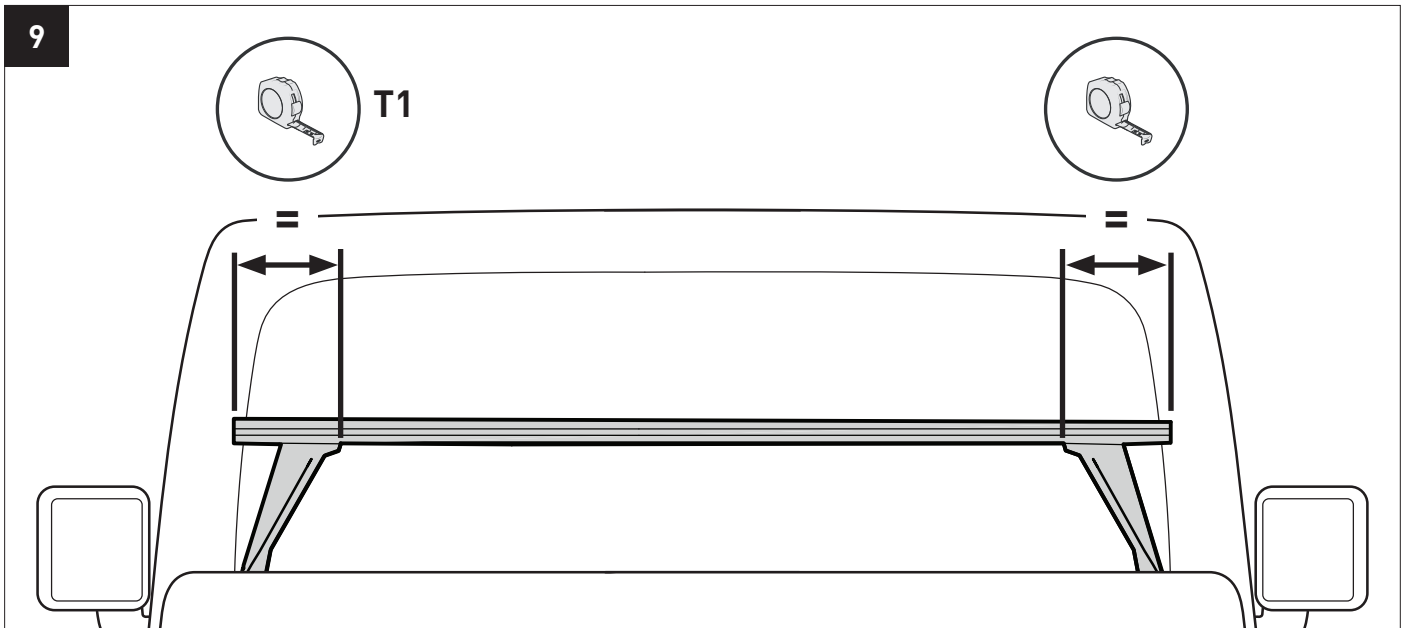
- 8** Check towers are at correct height and Locking Serrated Washers **C** are correctly engaged. If installing Reconn-Deck NS Bars skip this step and proceed to its' installation instruction.



LH

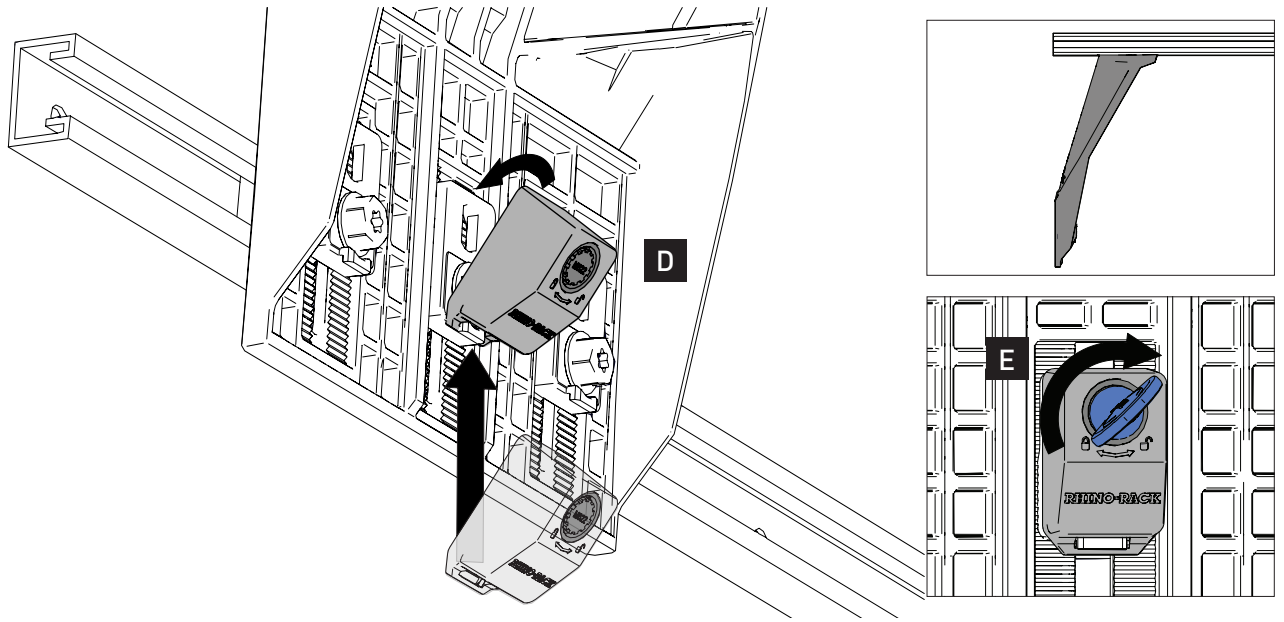
RH



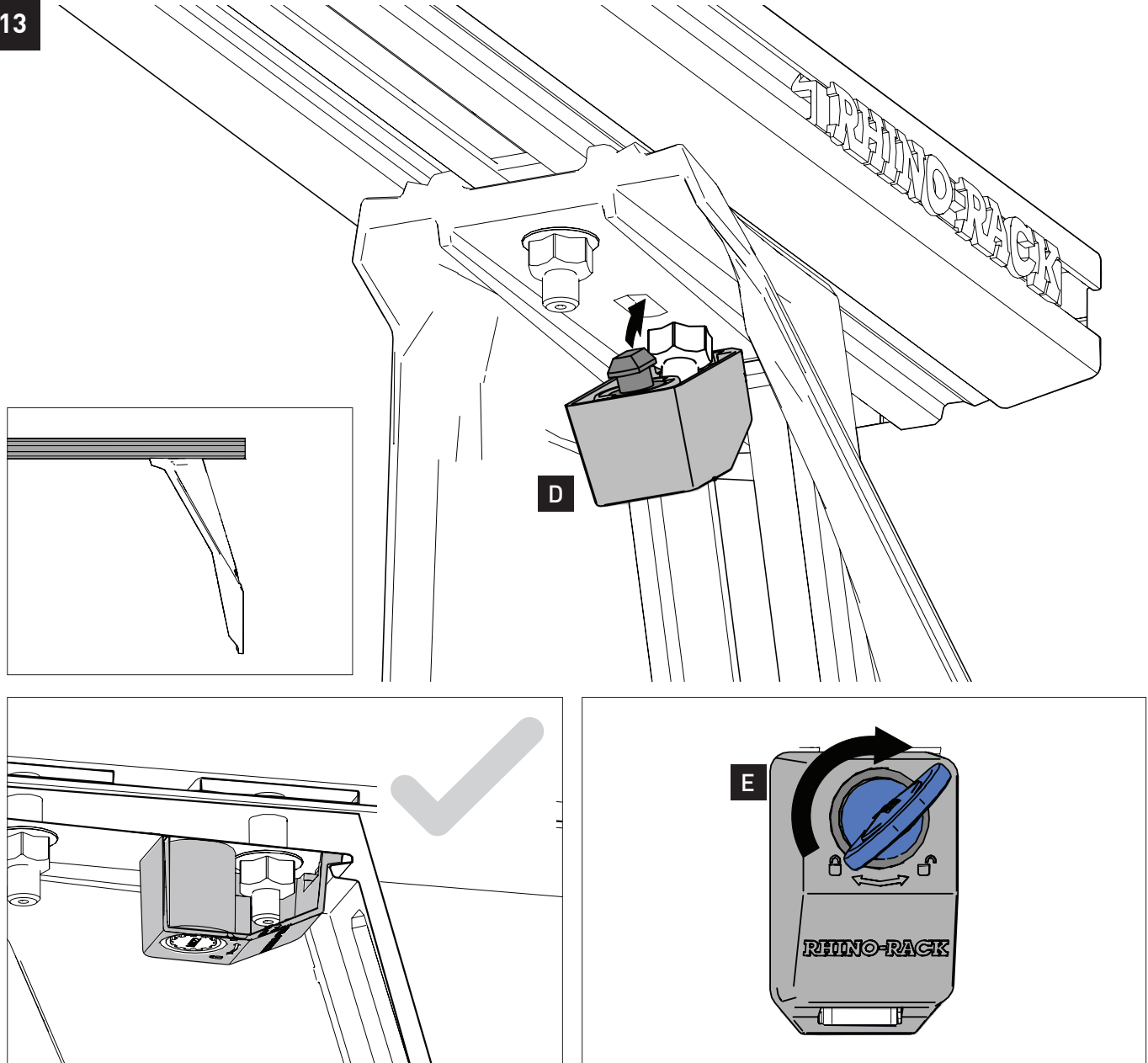


RDT Instructions

12

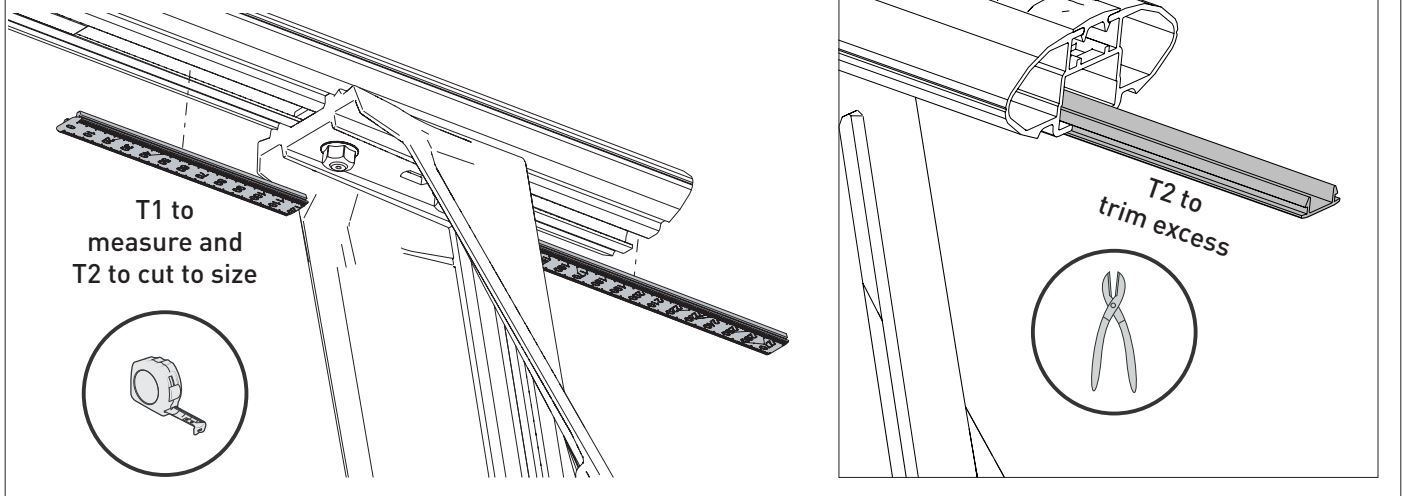


13

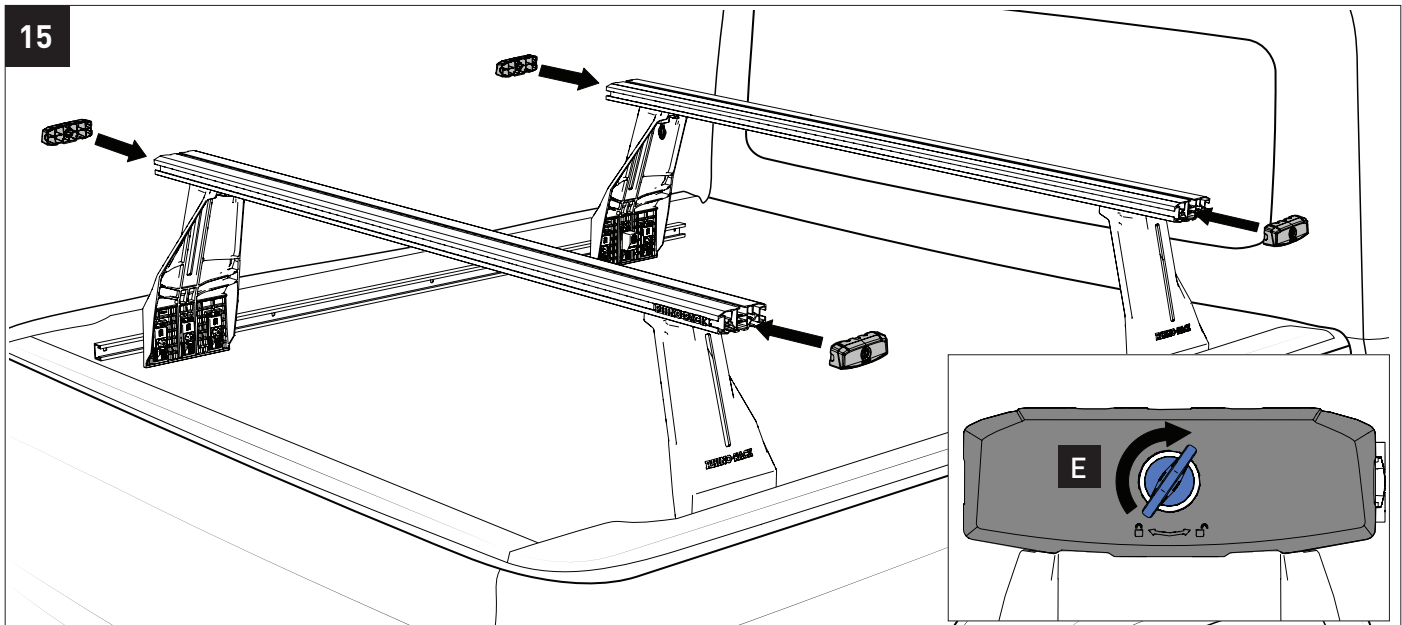


14 VA BAR ONLY

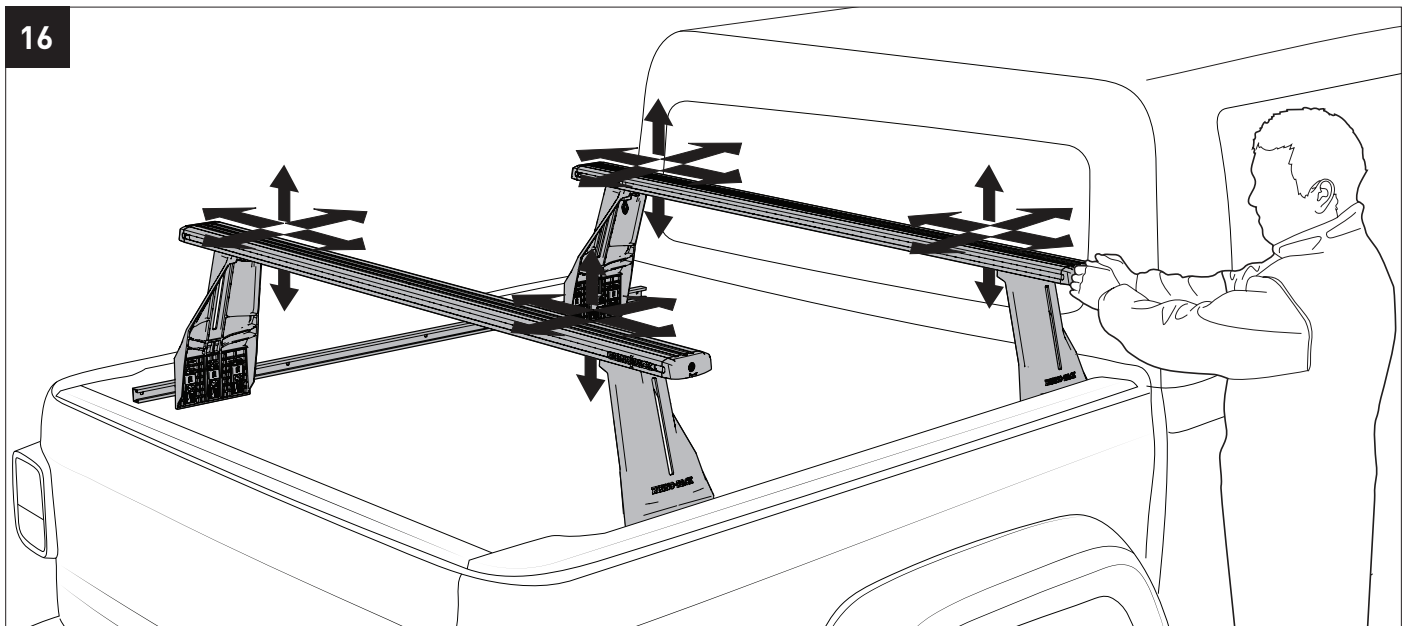
Insert measure strips to underside of all VA bars



15



16





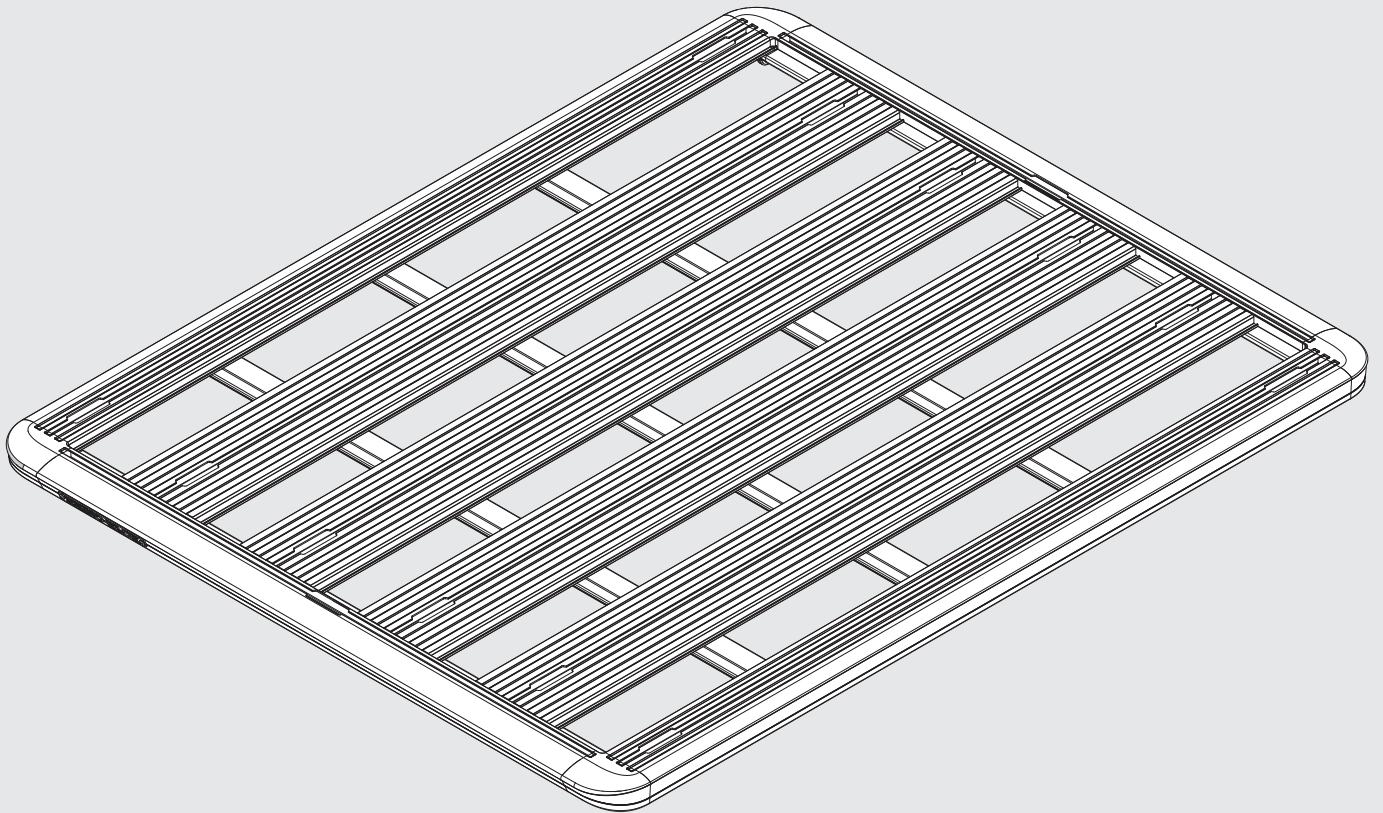
RHINO-RACK®

PIONEER ALLOY TRAY (flat pack)

Important:

1. Check the Rhino-Rack website to ensure you have the latest issue of these instructions.
2. Please refer to your fitting instruction to ensure that the roof racks are installed in the correct locations.
3. Check the contents of kit before commencing fitment and report any discrepancies.
4. Place these instructions in the vehicle's glove box after installation is complete.
5. These instructions must be followed for warranty to be upheld.

Fit Time: 1 hour



Instructions

Carrying Capacity

Max system load capacity (incl. system weight), refer to Pioneer fit sheet.

Check your vehicle owners hand book for vehicle maximum carrying capacity. Please ensure you use the vehicle manufacturers maximum roof allowance if it is lower than the figure listed in this instruction.

Load must be evenly distributed over the system.

Off Road: Any driven path taken that does not contain a surface protection layer (tar/bitumen).

Vehicle Load Limit: Total permissible weight attached to the roof of the car. This is inclusive of the weight of the roof rack system.

System Load Limit: Total permissible weight allowed on top, and attached to roof racks whilst the vehicle is in motion.

Torque Settings

Unless stated otherwise in these instructions, all fasteners should be set to the following torque settings - M6: 4-5Nm (3-4lbs/ft), M8: 8-10Nm (6-7.5lbs/ft) and M10: 16-18Nm (12-13lbs/ft).

Warning

- Check part number or kit is correct for use with your vehicle.
- Do not attempt to fit the rack system to your vehicle unless you fully understand these fitting instructions. Please direct any questions regarding fitting to the dealer from where the roof racks were purchased.
- Although the system is tested and approved to AS1235-2000 / ISO 11154, off-road conditions can be much more rigorous. Extreme care must be taken in off road conditions.
- Roof racks must be removed when vehicle is put through an automatic car wash.
- With utility vehicles, the cabin and the canopy move independently. Roofracks and vehicle can be damaged if the item transported is rigidly fixed at points on both the cabin and canopy. Instead, rigidly fix to either the cabin roof racks or the canopy roof racks.
- Always ensure you fasten your load securely.
- Use only non-stretch fastening ropes or straps to attach cargo to your load.

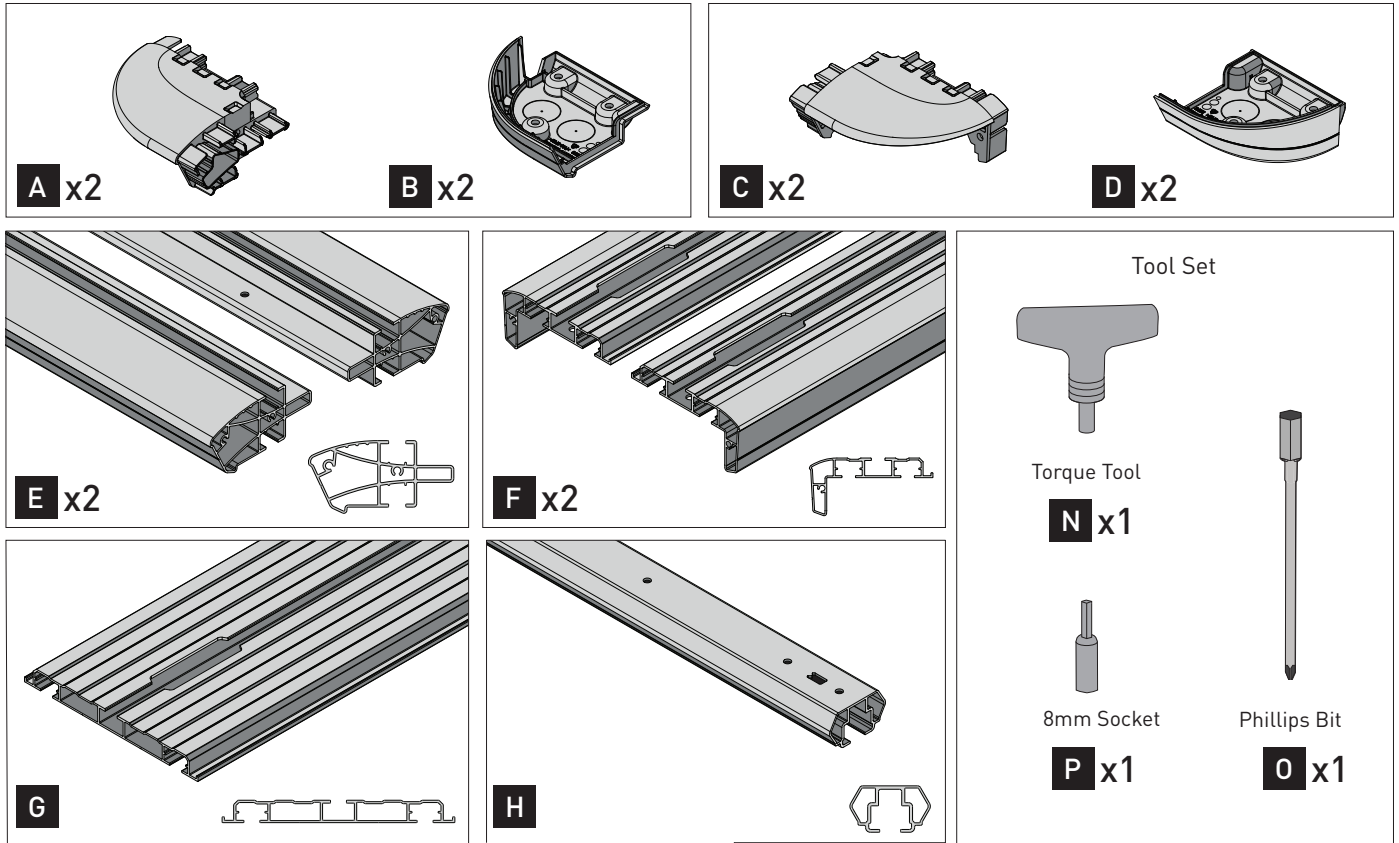
In service maintenance checks

- All bolted connections should be checked after driving a short distance when you first install your roof racks.
- All bolted connections should be checked again at regular intervals (weekly is recommended, depending on road conditions, usage, loads and distances travelled).
- All bolted connections should be checked each time they are re-fitted.

Note for Dealers and Fitters

It is your responsibility to ensure these fitting instructions are given to the end user or client. These instructions remain the property of Rhino-Rack Australia Pty. Ltd. and may not be used or changed for any other purpose than intended.

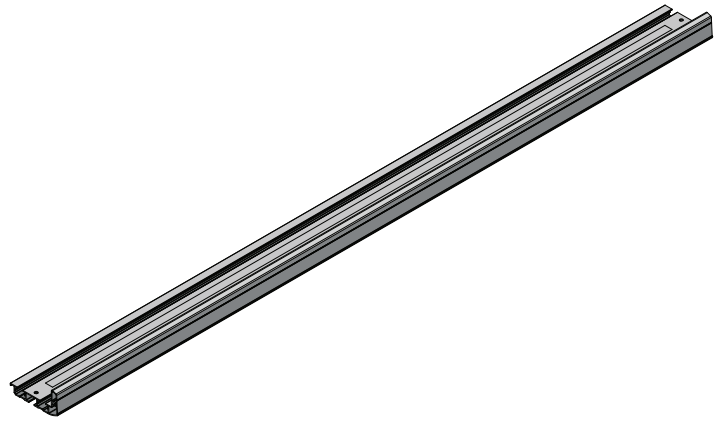
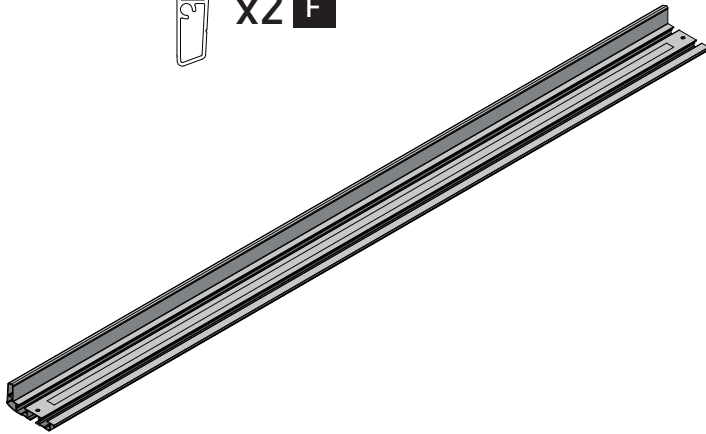
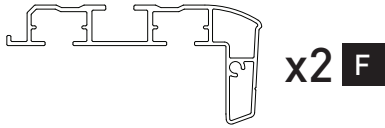
Instructions



Platform #	L x W (mm)	L x W (inches)	G	H	I	J	K	L	M
52100	1528 x 1236	60' x 49'	4	3	52	52	12	16	6
52101	1528 x 1376	60' x 54'	5	3	62	62	12	16	6
52102	1928 x 1236	76' x 49'	4	5	76	76	12	16	6
52103	1928 x 1376	76' x 54'	5	5	90	90	12	16	6
52104	2128 x 1426	84' x 56'	5	5	90	90	12	16	N/A
52105	2728 x 1465	107' x 58'	5	6	104	104	12	16	N/A
52107	2128 x 1236	84' x 49'	4	5	76	76	12	16	N/A
52108	1828 x 1426	72' x 56'	5	5	90	90	12	16	N/A
52109	1328 x 1236	52' x 49'	4	3	52	52	12	16	N/A
52110	1328 x 1376	52' x 54'	5	3	62	62	12	16	N/A
52111	1328 x 1426	52' x 56'	5	3	62	62	12	16	N/A
52112	928 x 1426	37' x 56'	5	2	48	48	12	16	N/A
52113	1528 x 1426	60' x 56'	5	3	90	90	12	16	N/A
52114	1228 x 952	48' x 37'	3	1	22	22	12	16	N/A
52115	1478 x 1184	58' x 47'	4	1	28	28	12	16	N/A
52119	2528 x 1586	100' x 62'	5	6	104	104	12	16	N/A
52120	1528 x 1586	60' x 62'	5	3	62	62	12	16	N/A
52121	1228 x 1426	48' x 56'	5	3	62	62	12	16	N/A

Tools required:
 T1 - Phillips head screwdriver. T2 - Power drill.

Instructions



1

✓

F **L**

✗

H **I**

x3 = x12

H **I**

x4 = x16

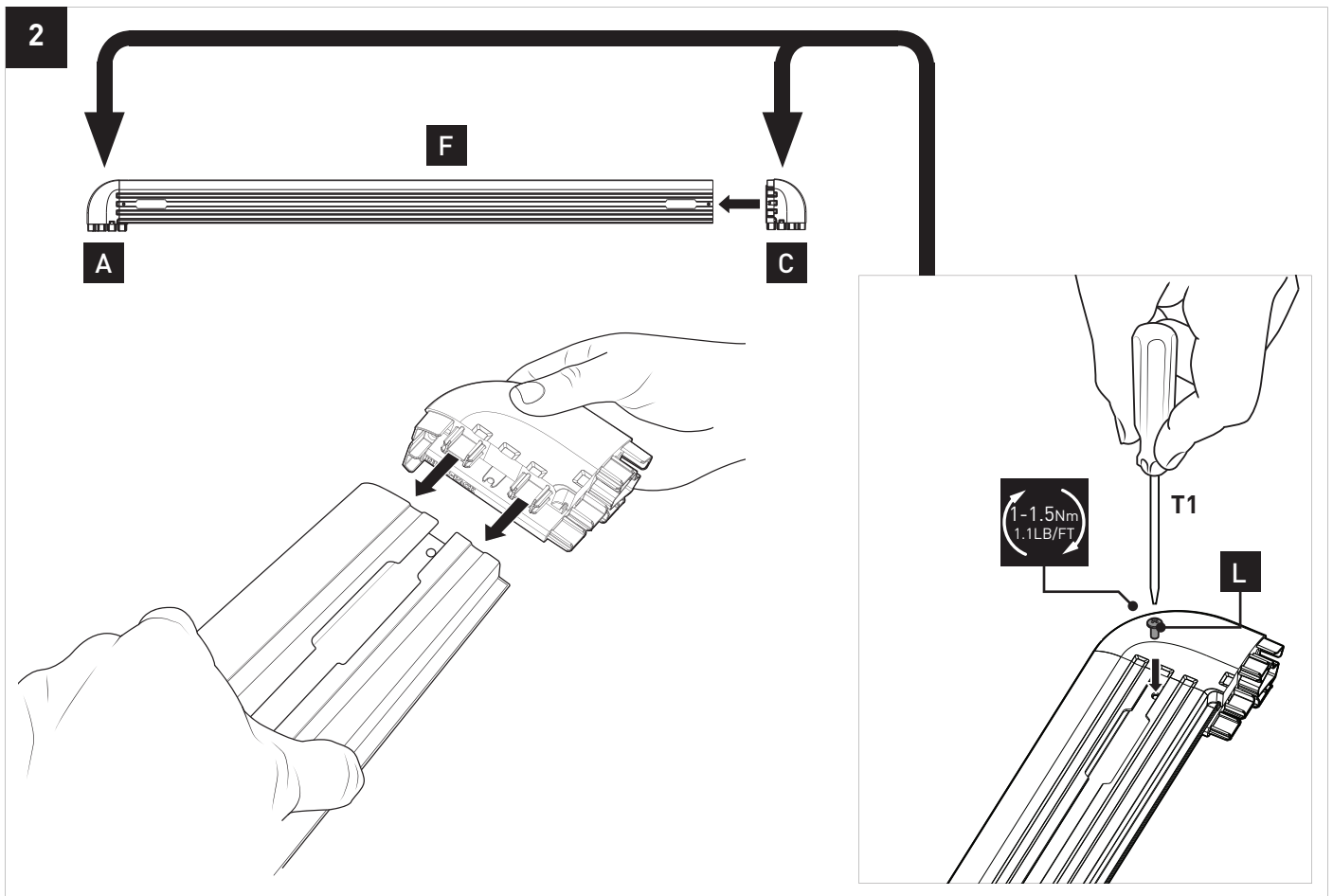
H **I**

x5 = x20

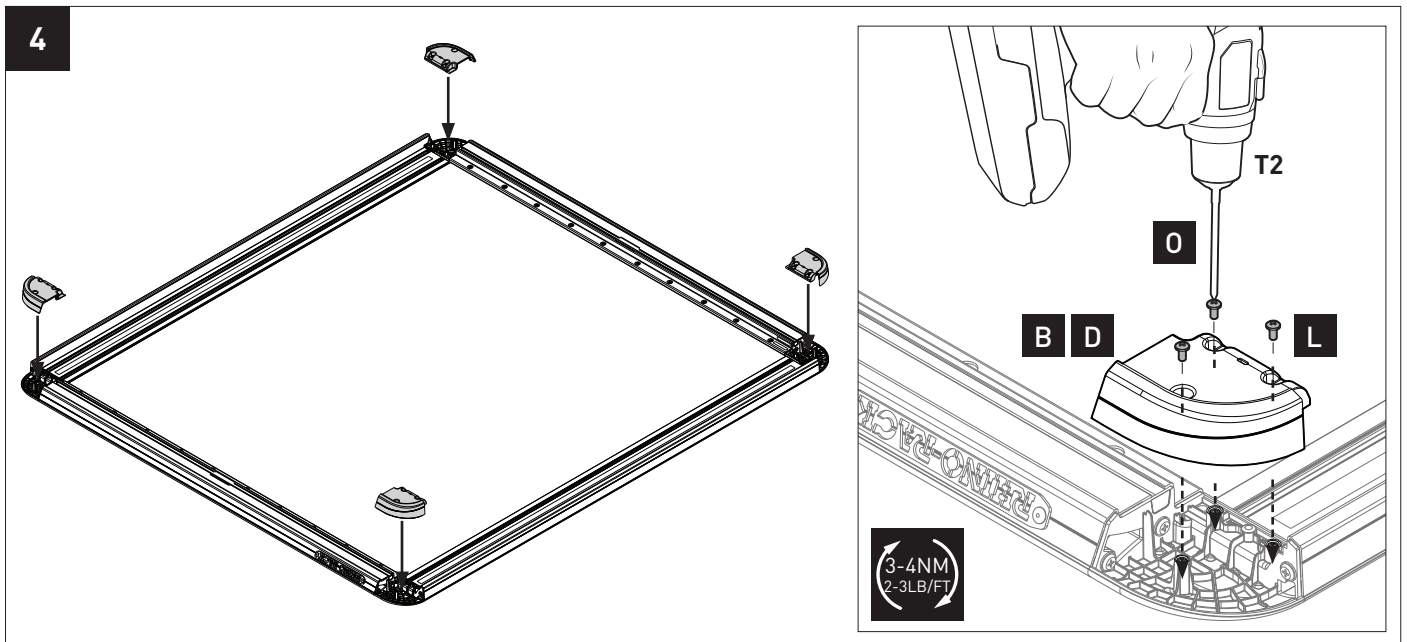
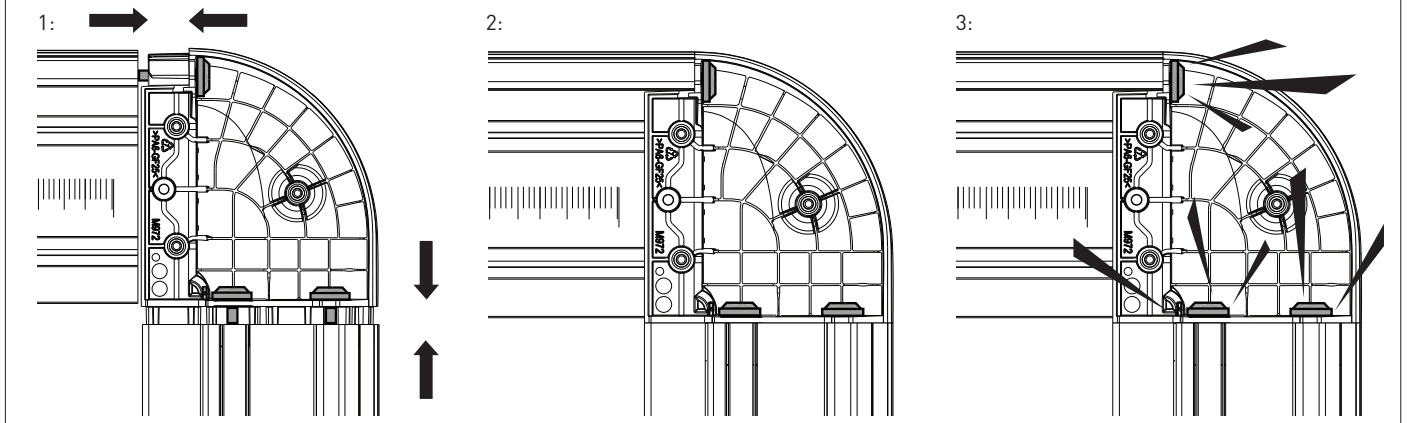
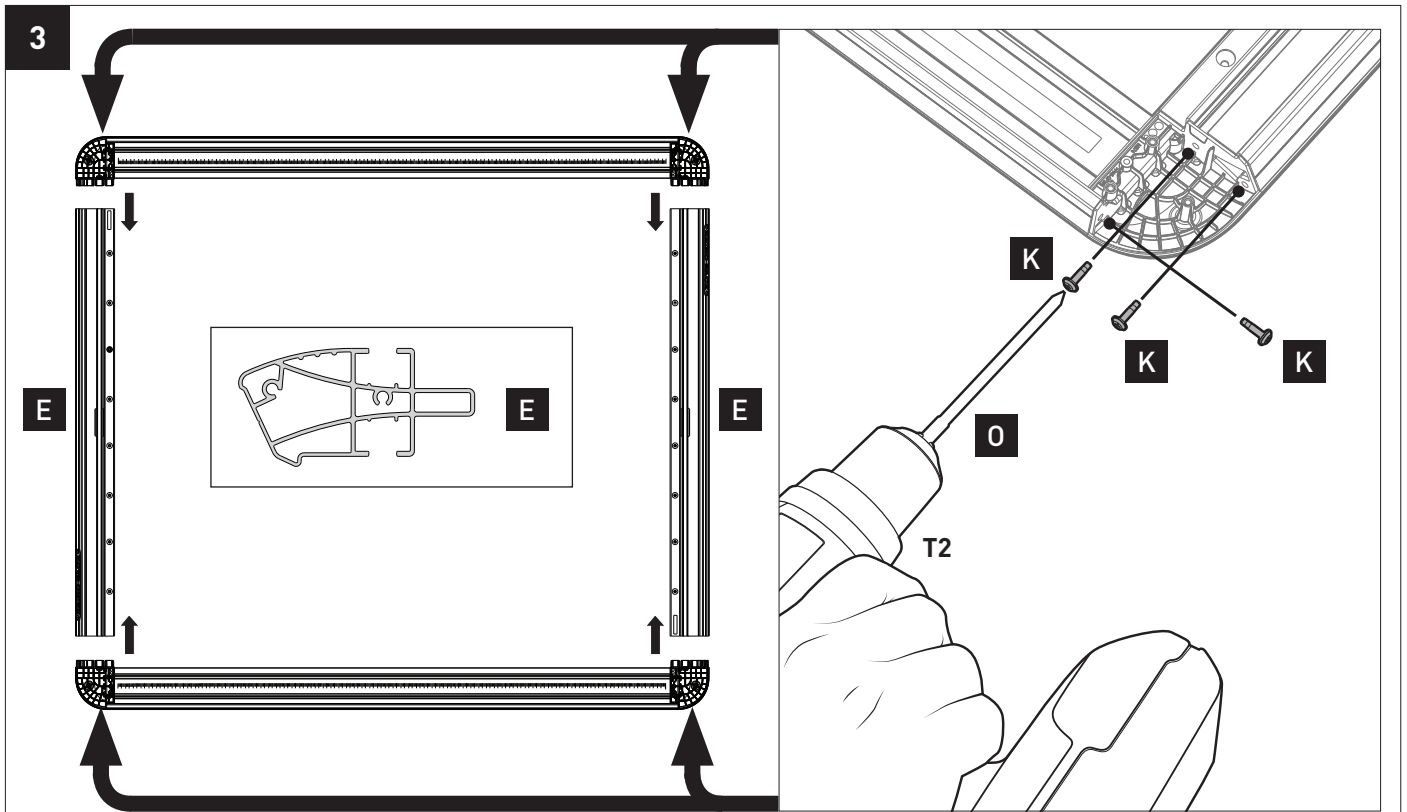
H **I**

x6 = x24

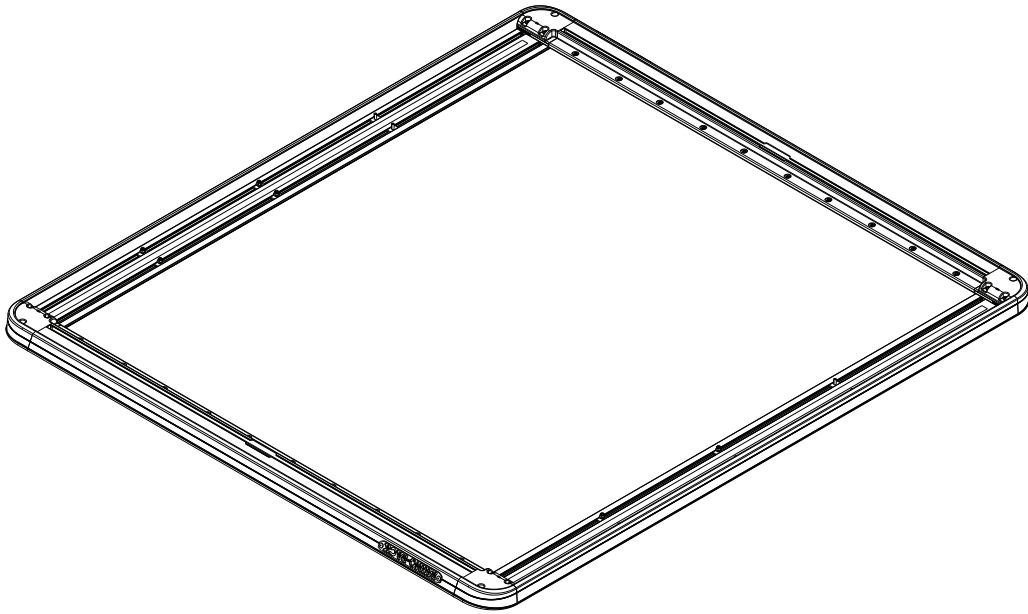
Instructions



Instructions

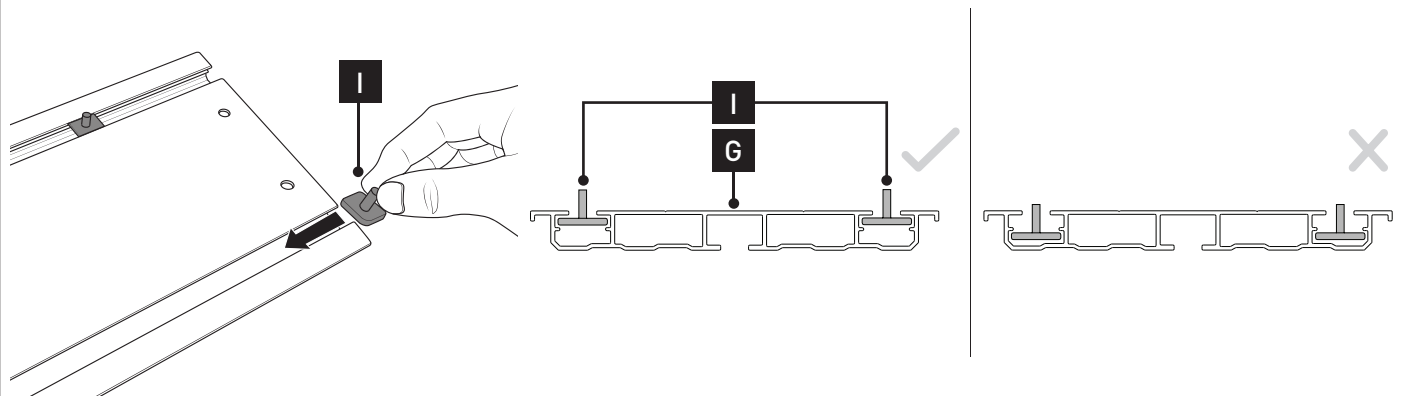


Instructions

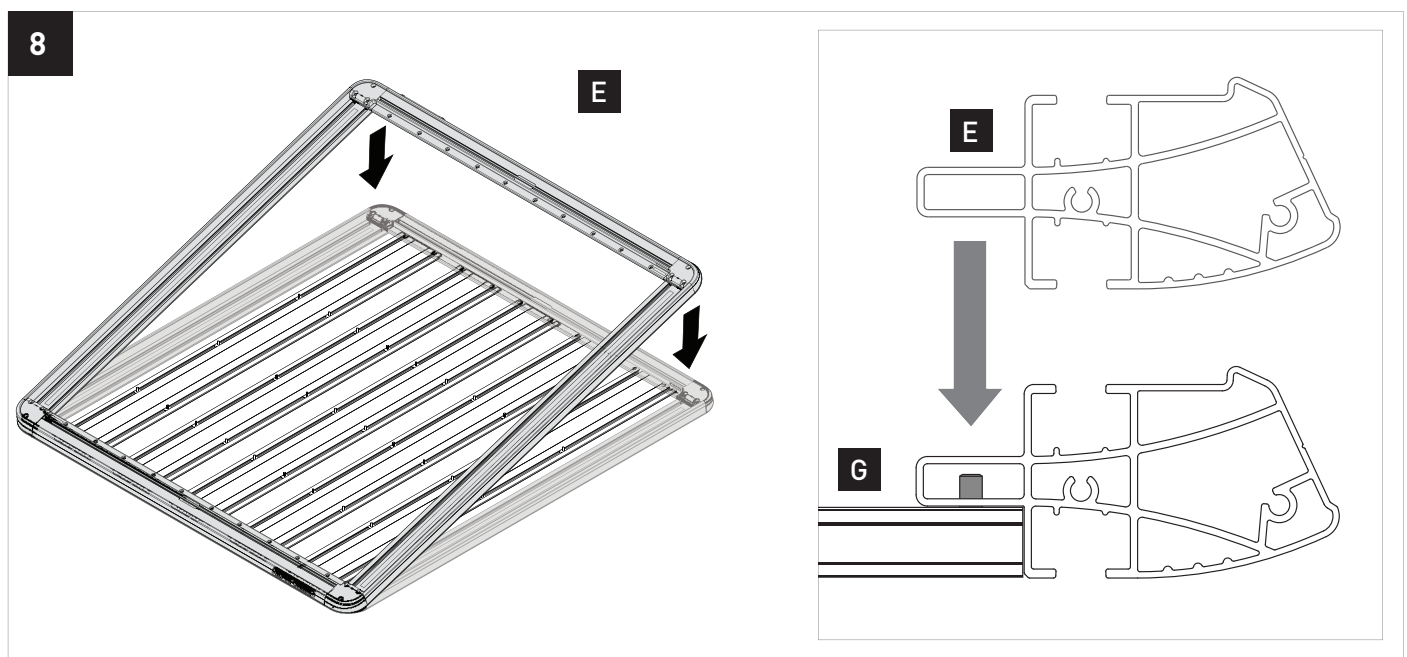
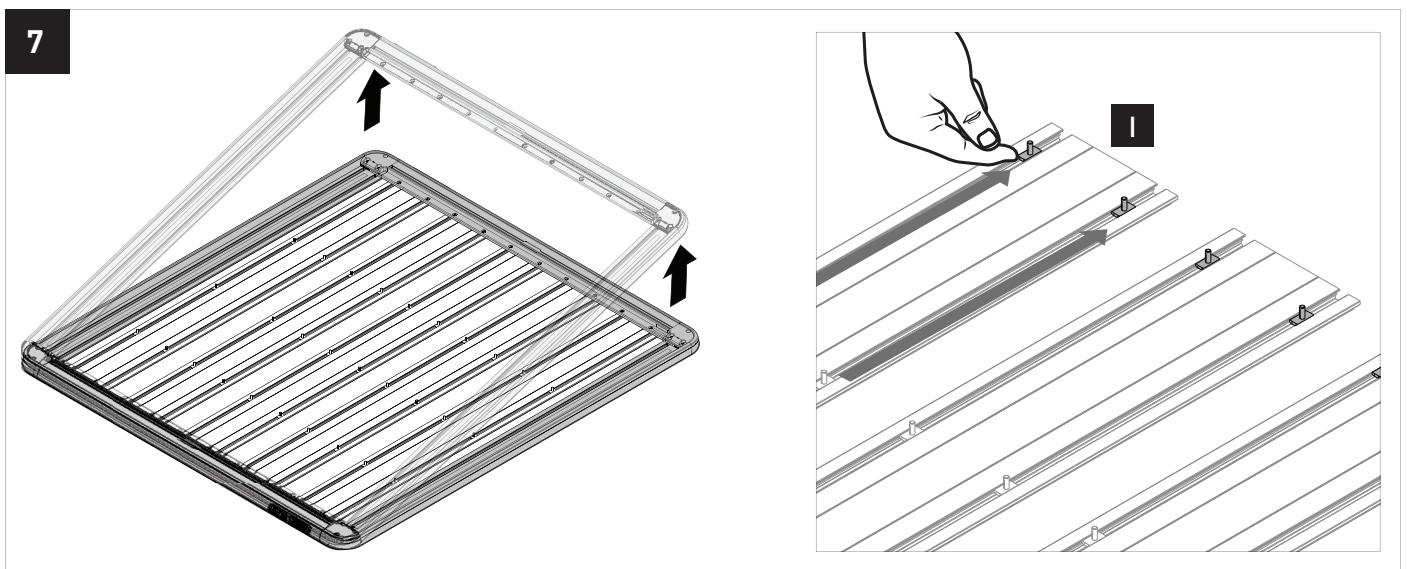
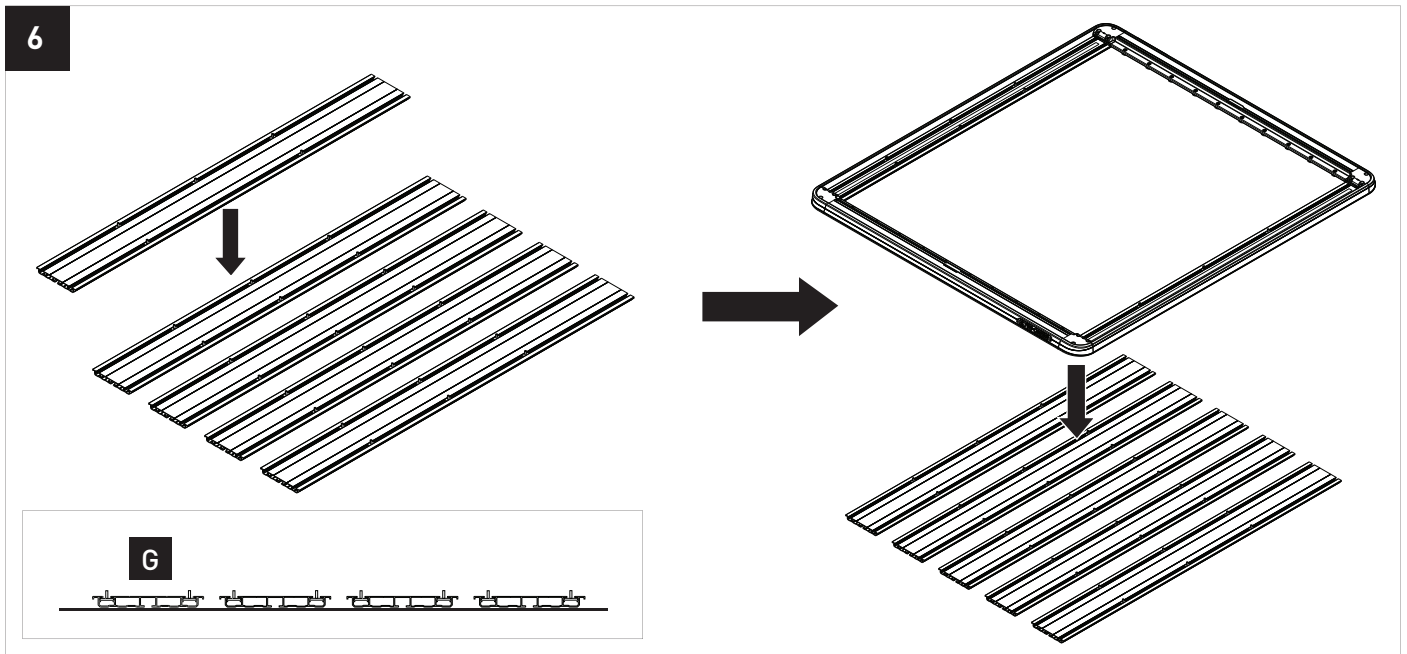


5

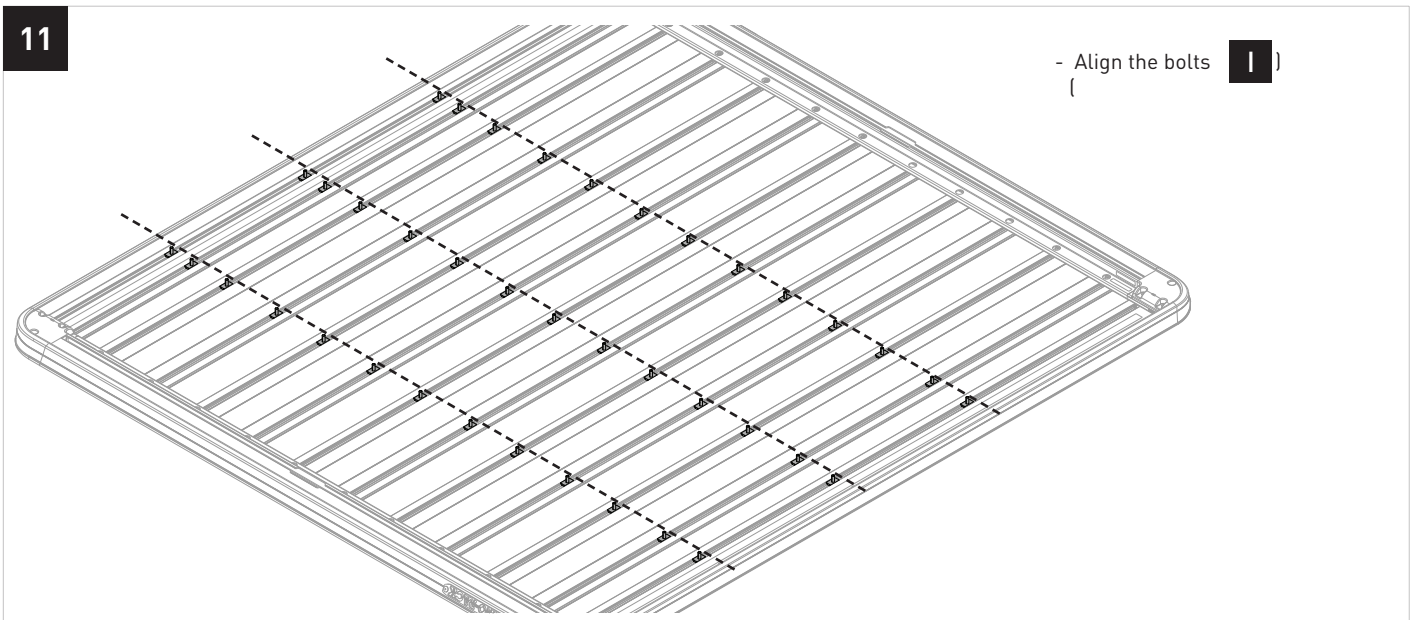
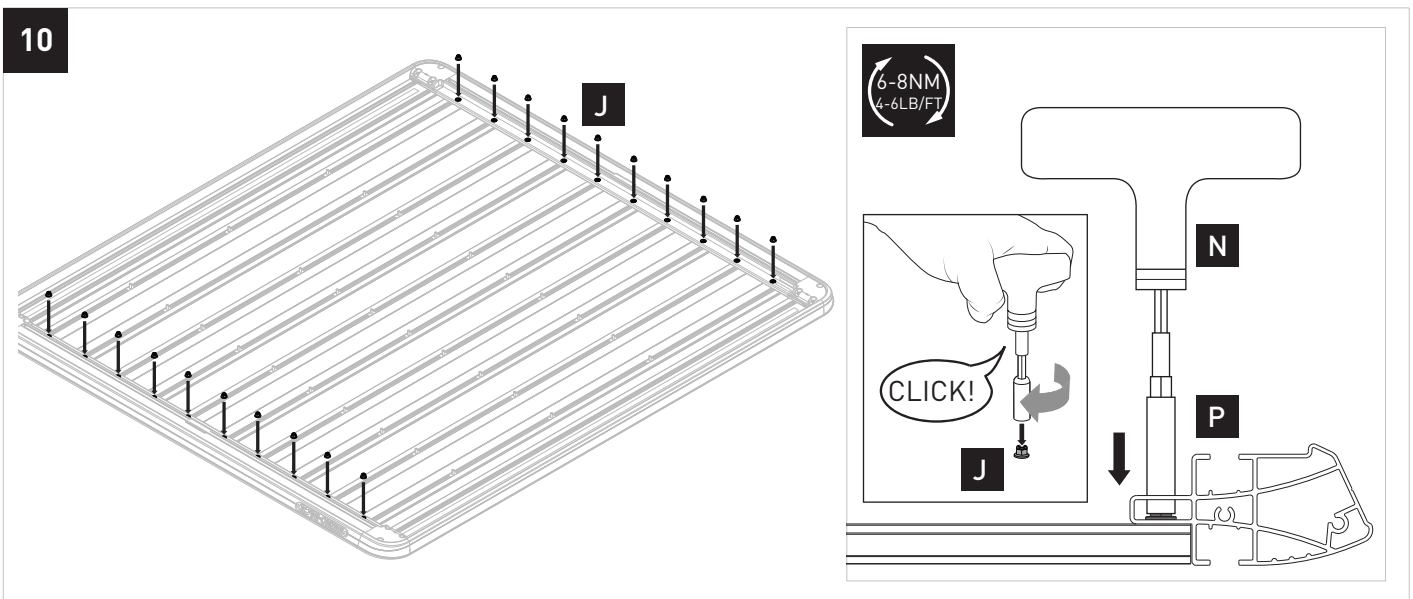
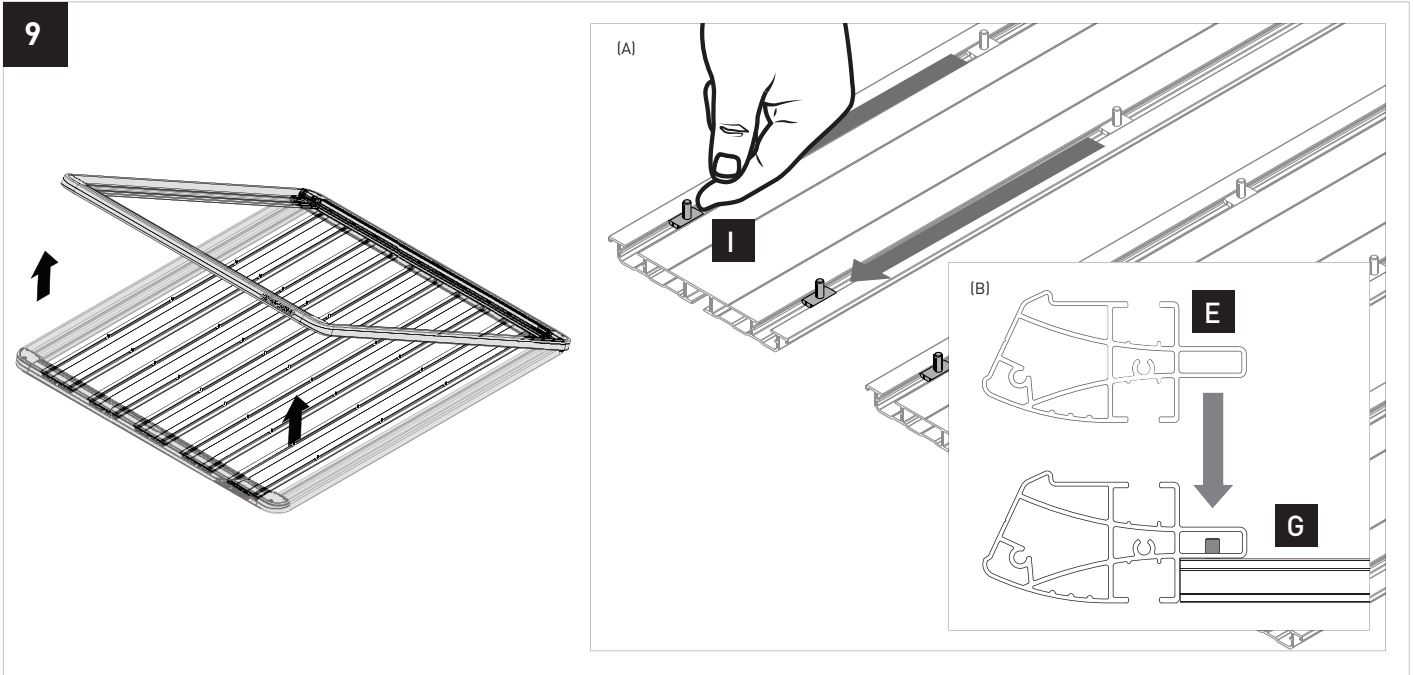
<p>E x3 + H x10 = I x10</p>	<p>E x4 + H x12 = I x12</p>	<p>E x5 + H x14 = I x14</p>	<p>E x6 + H x16 = I x16</p>



Instructions

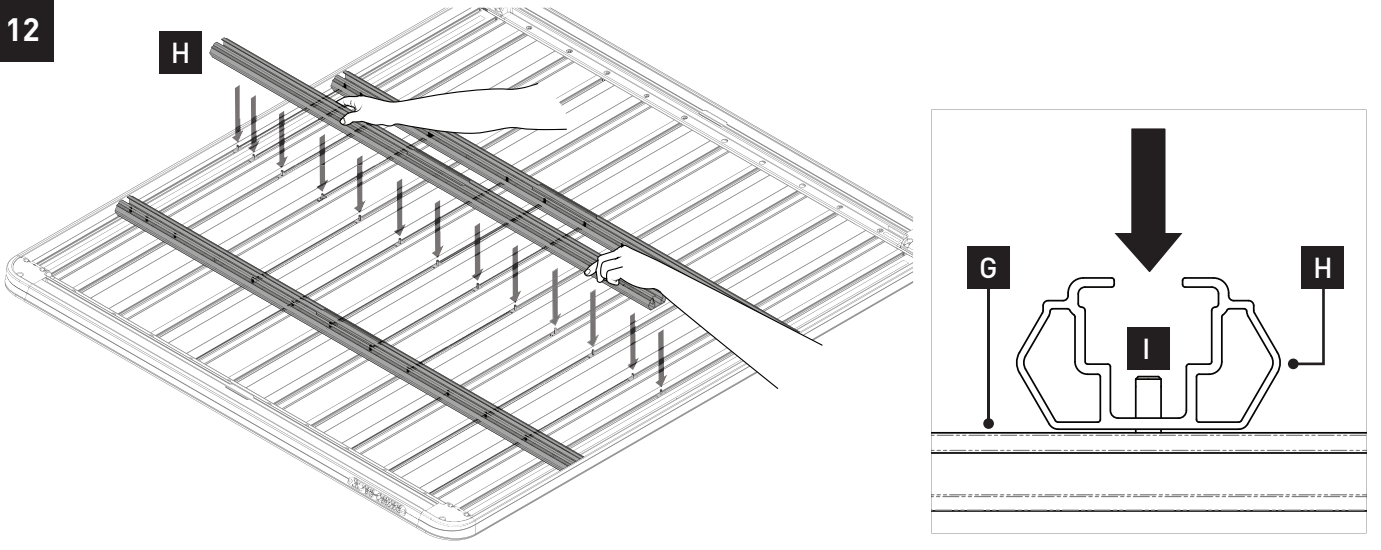


Instructions

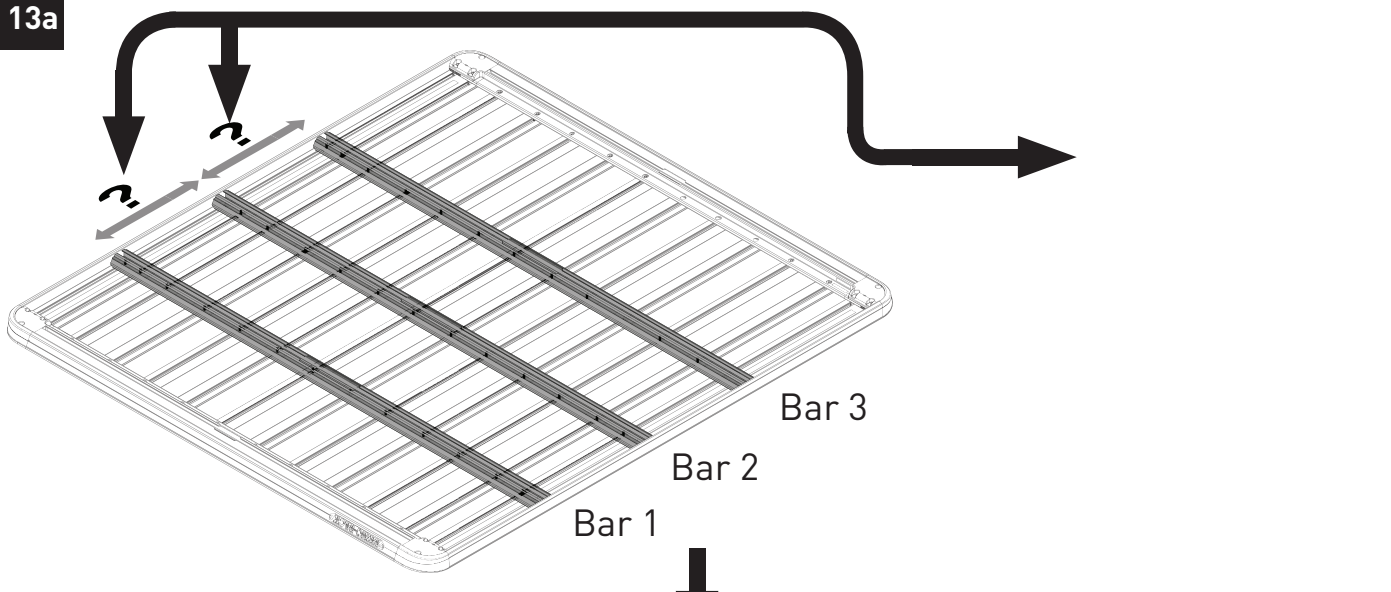


Instructions

12



13a



Bar 1, 2, 3



RHINO-RACK | PIONEER VEHICLE FITTING INFORMATION

VEHICLE	PIONEER SIZE	CONNECTOR	HEIGHT ADDED (mm / in)
EXAMPLE ONLY	53100	RCL	120.0 / 4.7

IMPORTANT NOTES RCP48-BK required. Fixed point factory mount. -

REGION	AUS	NZ	USA	CA	SA	UK	EU	ZA
AVAILABILITY	✓	✓	✓	✓	✓	✓	✓	✓
RUNNING DATES	02/15 -	02/15 -	-	-	-	-	-	-

UNDERBAR SPACING

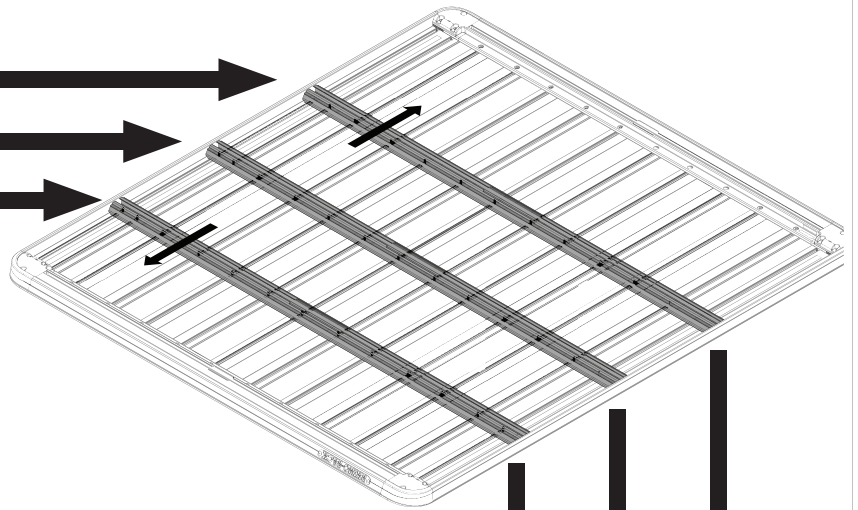
SIZE NO.	A	B	C	D	E	F	G
DIMENSION (CM)	45.2	0	45.2				
SPACERS REQ'D							
CONNECTOR	RCL		RCL				

VEHICLE LOAD LIMIT (VLL) (kg / lbs)	SYSTEM WEIGHT (SW) (kg / lbs)	ON-ROAD CARGO ALLOW. (ORA)	OFF-ROAD CARGO ALLOW. (OFRA)
Up to 100 / 220.5 *	19 (41.2)	OR = VLL - SW	OFRA = OR / 1.5

*CHECK YOUR VEHICLE OWNERS HANDBOOK FOR VEHICLE MAXIMUM CARRYING CAPACITY. PLEASE ENSURE YOU USE THE VEHICLE MANUFACTURERS MAXIMUM ROOF ALLOWANCE IF IT IS LOWER THAN THE FIGURES LISTED IN THIS INSTRUCTION.

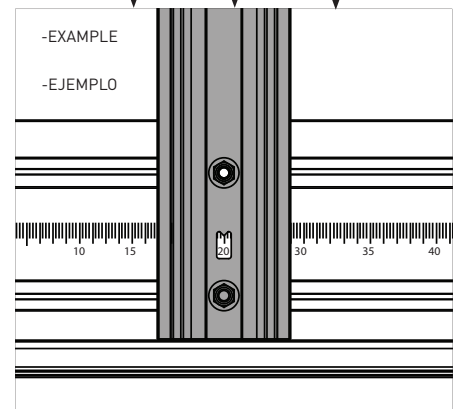
Instructions

13b

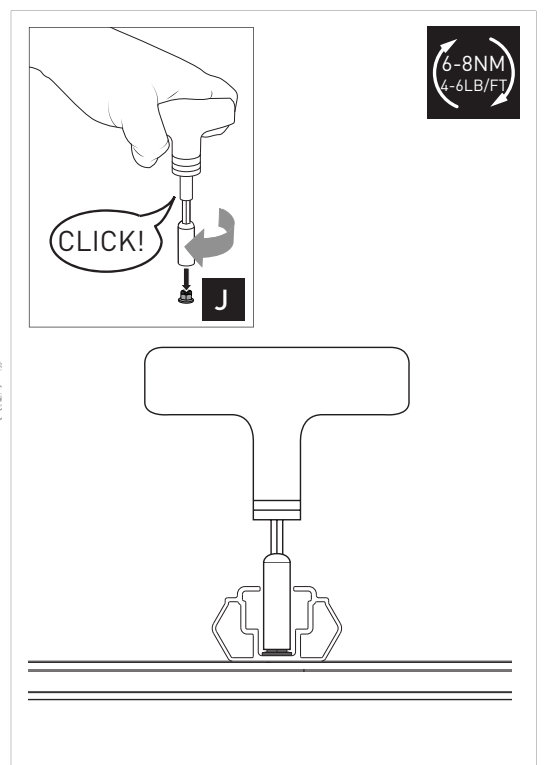
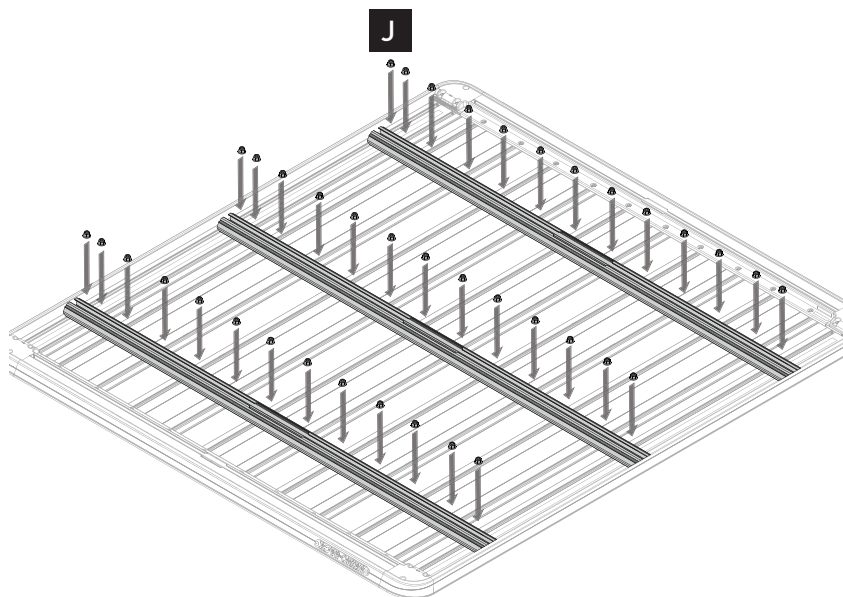


RHINO-RACK PIONEER VEHICLE FITTING INFORMATION

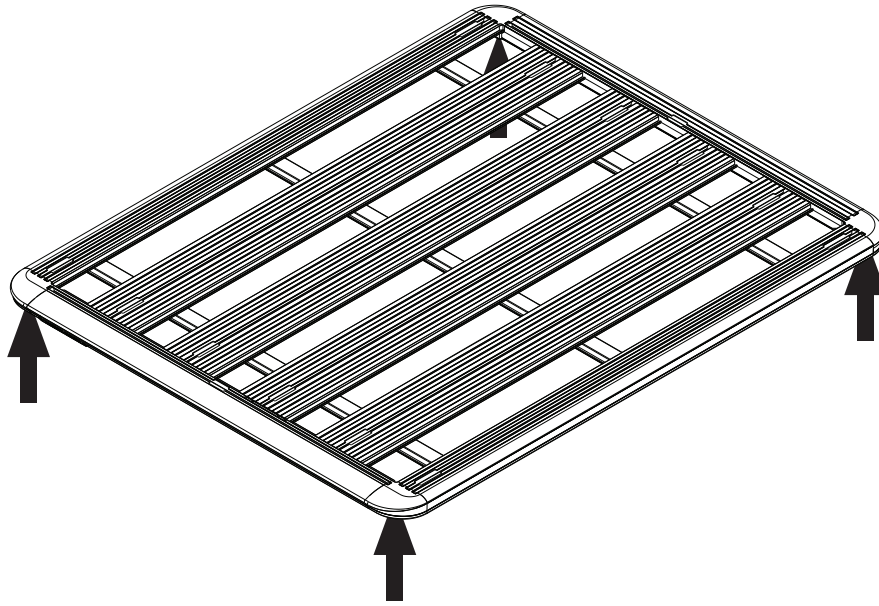
VEHICLE	PIONEER SIZE	CONNECTOR	HEIGHT ADDED (mm / in)							
EXAMPLE ONLY	92100	RCL	120.0 / 4.7							
IMPORTANT NOTES RCP68-BK required. Fixed point factory mount. -										
REGION	AUS	NZ	USA	CA	SA	UK	EU	ZA		
AVAILABILITY	✓	✓	x	x	x	x	x	x		
RUNNING DATES	02/15 -	02/15 -	-	-	-	-	-	-		
UNDERBAR SPACING										
BAR NO	A	B	C	D	E	F				
DIMENSION (CM)	45.7	B	45.7							
SPACERS REQ'D										
CONNECTOR	RCL		RCL							
VEHICLE LOAD LIMIT (VLL) (kg / lbs)	SYSTEM WEIGHT (SW) (kg / lbs)		ON-ROAD CARGO ALLOW. (OR)			OFF-ROAD CARGO ALLOW. (OFR)				
Up to 100 / 220.5 *	19 / 41.2		OR = VLL - SW			OFR = OR / 1.5				
*CHECK YOUR VEHICLE OWNERS HANDBOOK FOR VEHICLE MAXIMUM CARRYING CAPACITY. PLEASE ENSURE YOU USE THE VEHICLE MANUFACTURERS MAXIMUM ROOF ALLOWANCE IF IT IS LOWER THAN THE FIGURE LISTED IN THIS INSTRUCTION.										



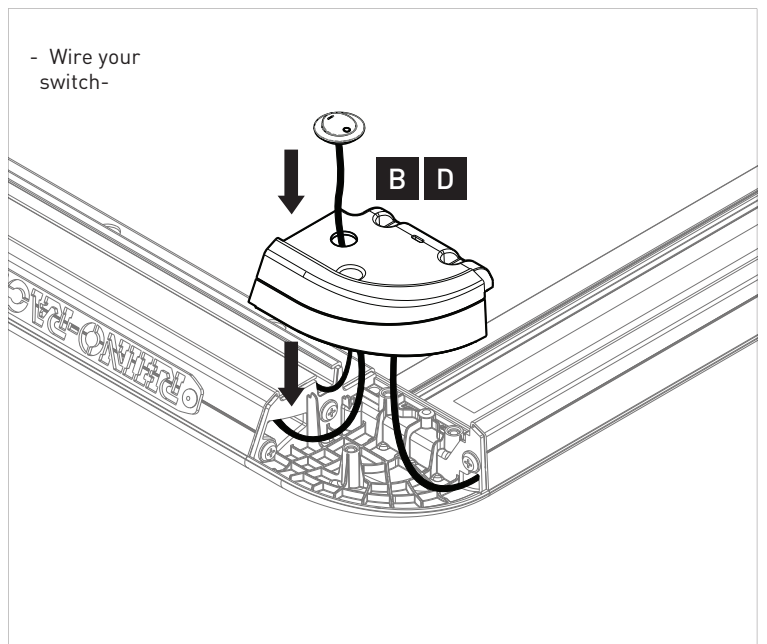
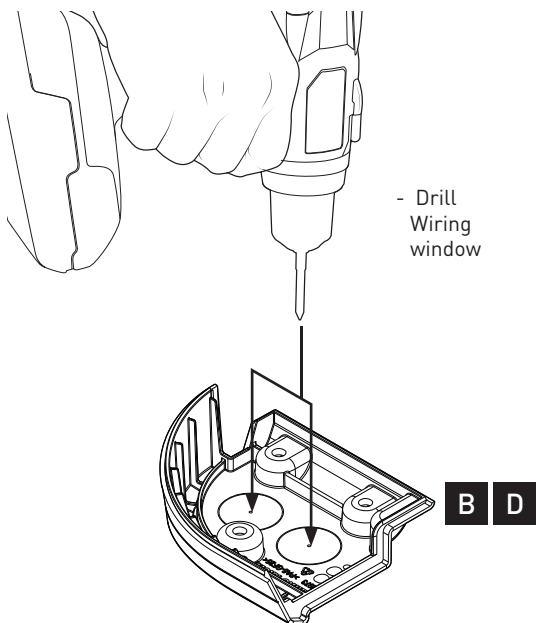
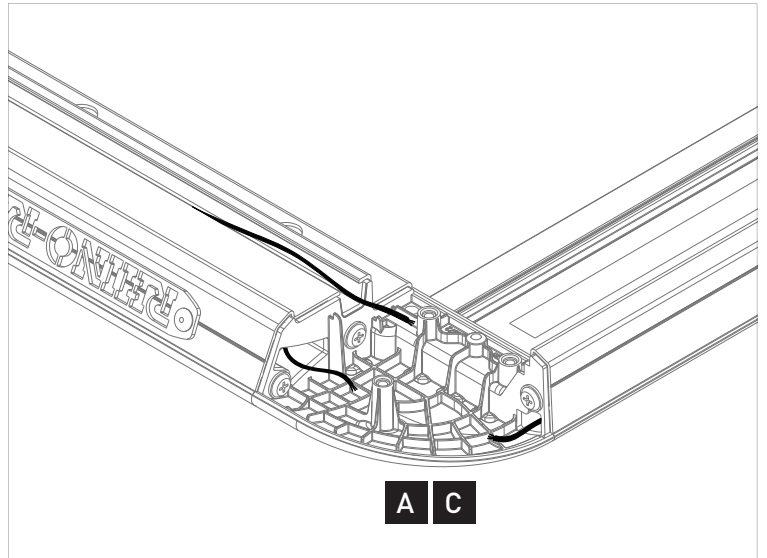
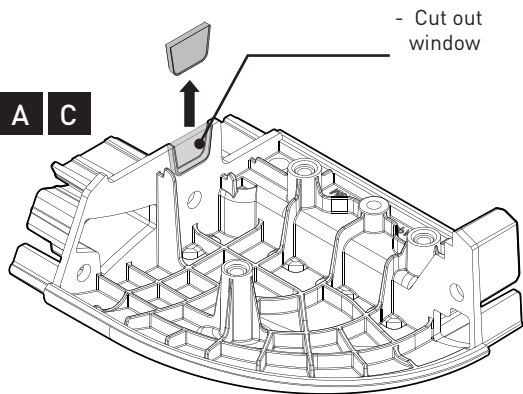
14



Instructions

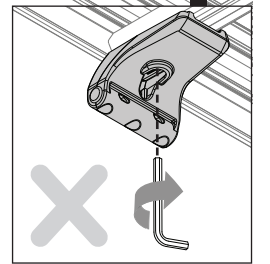
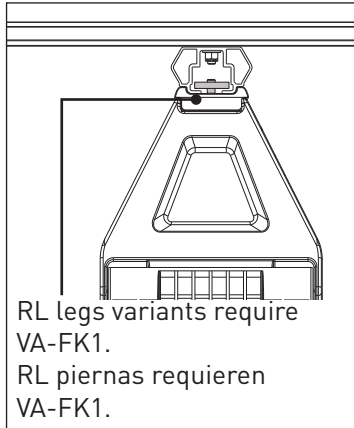
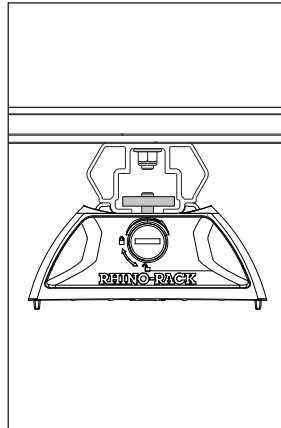
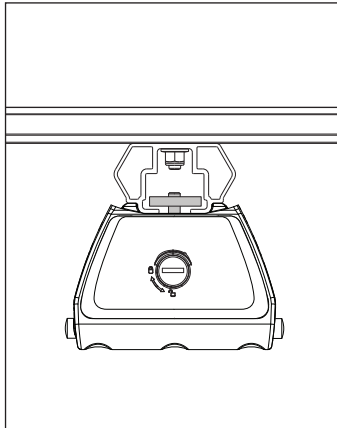
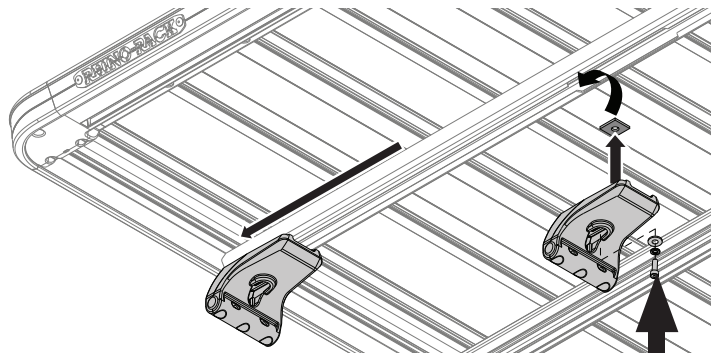
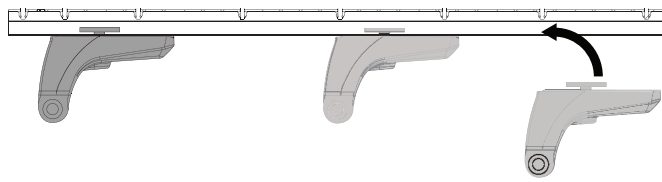


Note - For Wiring

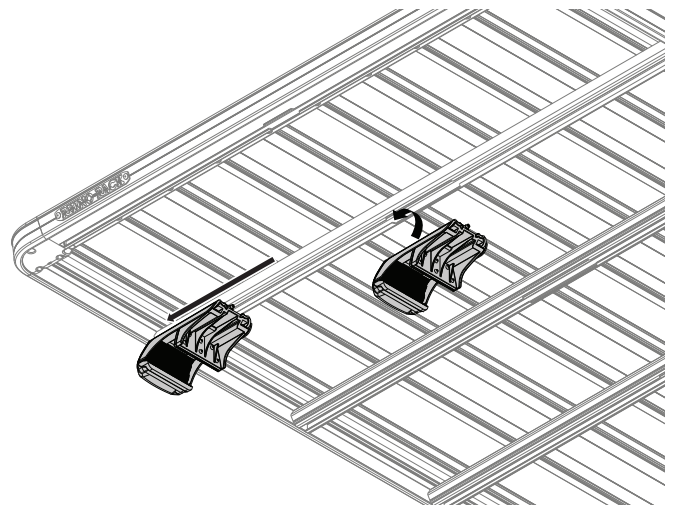
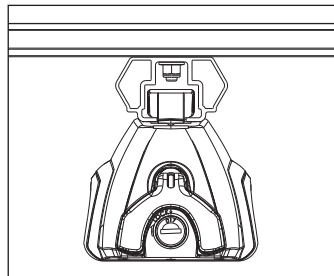
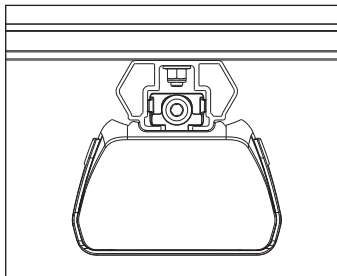
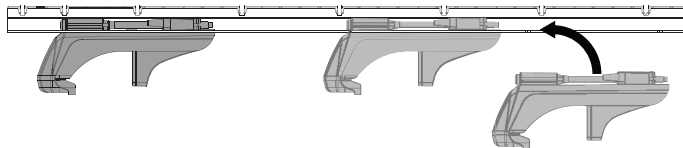


Instructions

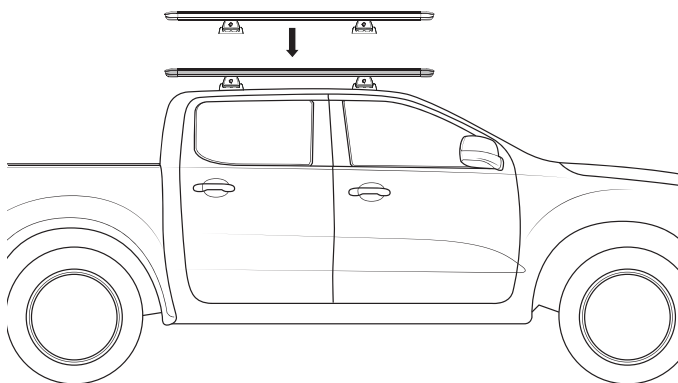
15 RLT600, RCL/RCH,
RL leg variants.



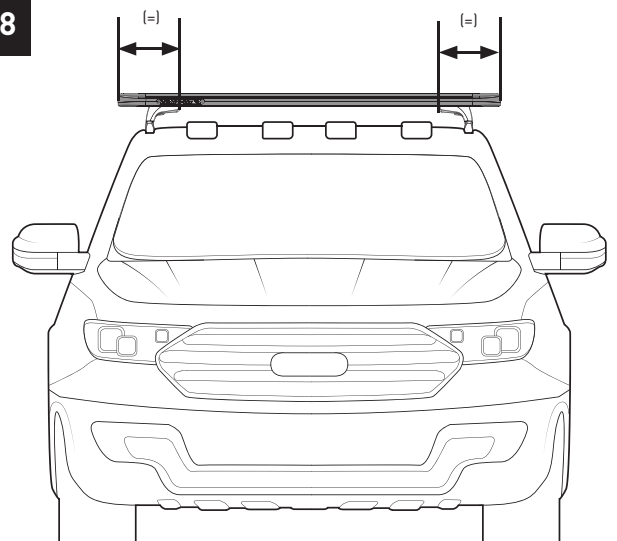
16 SXB



17

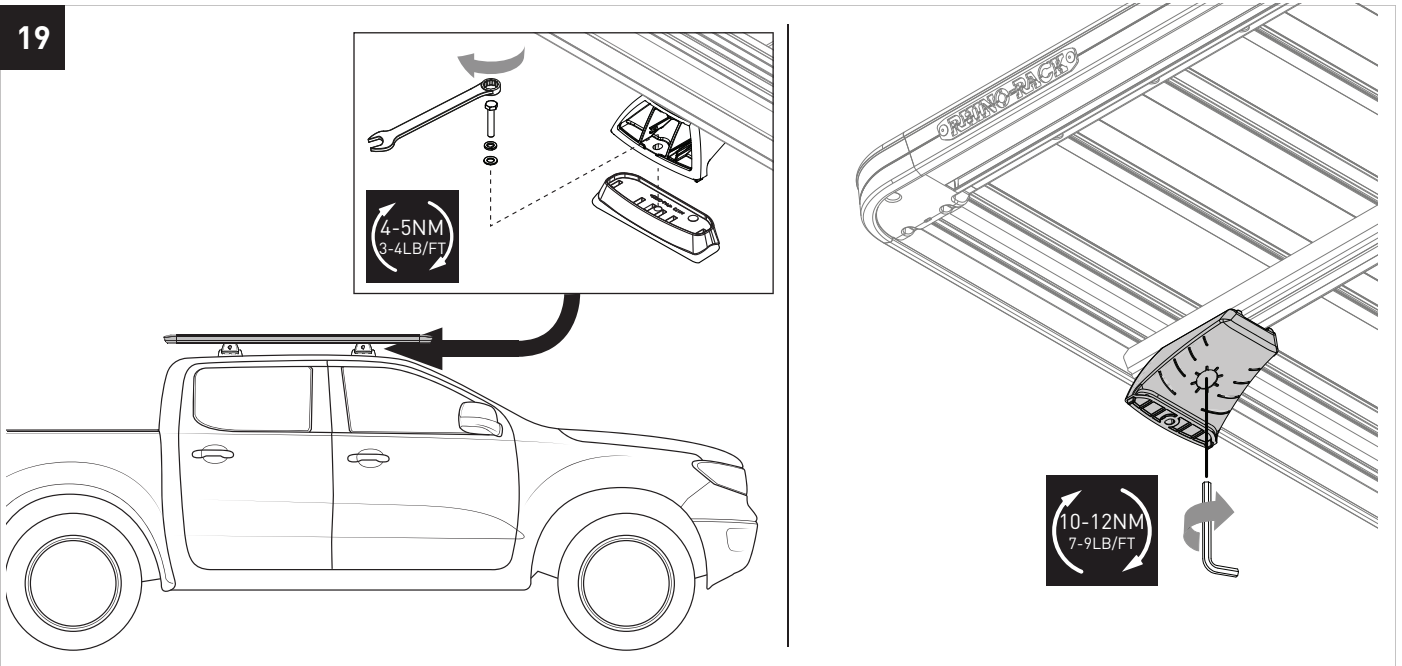


18

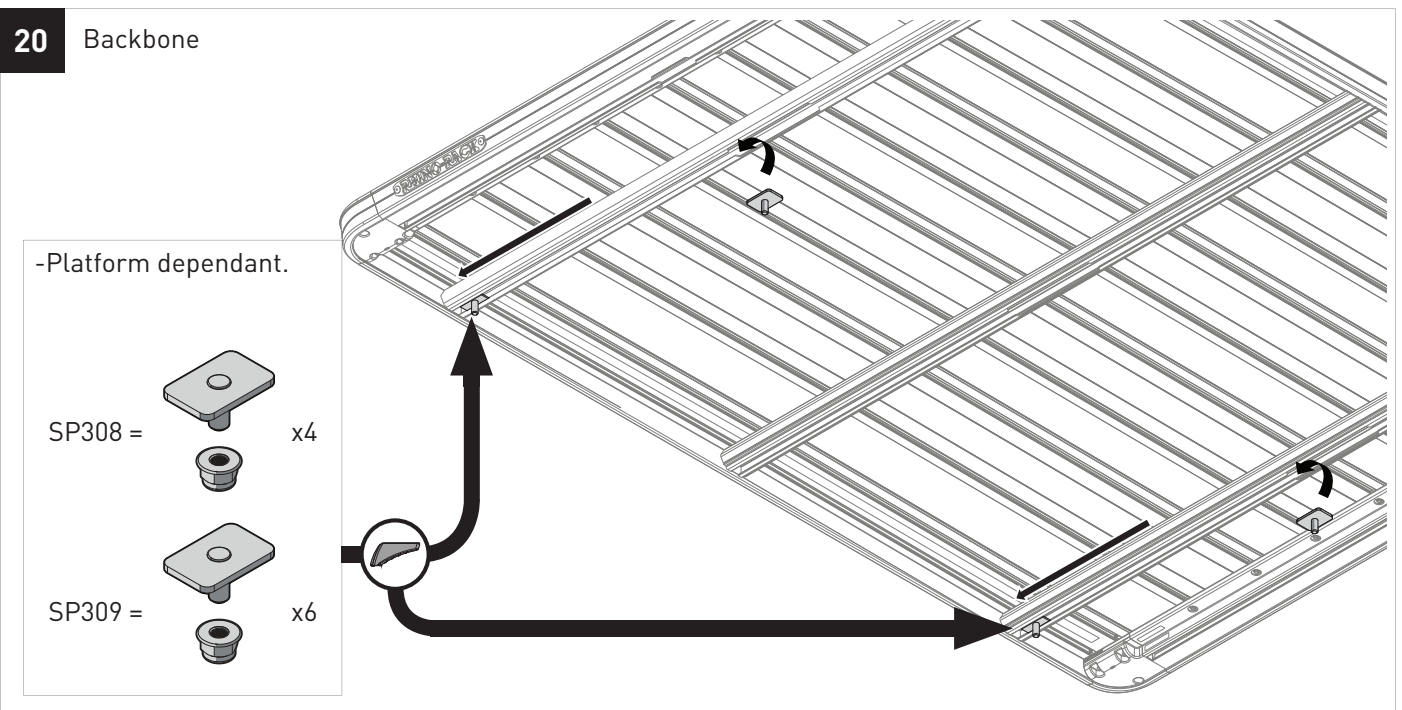


Instructions

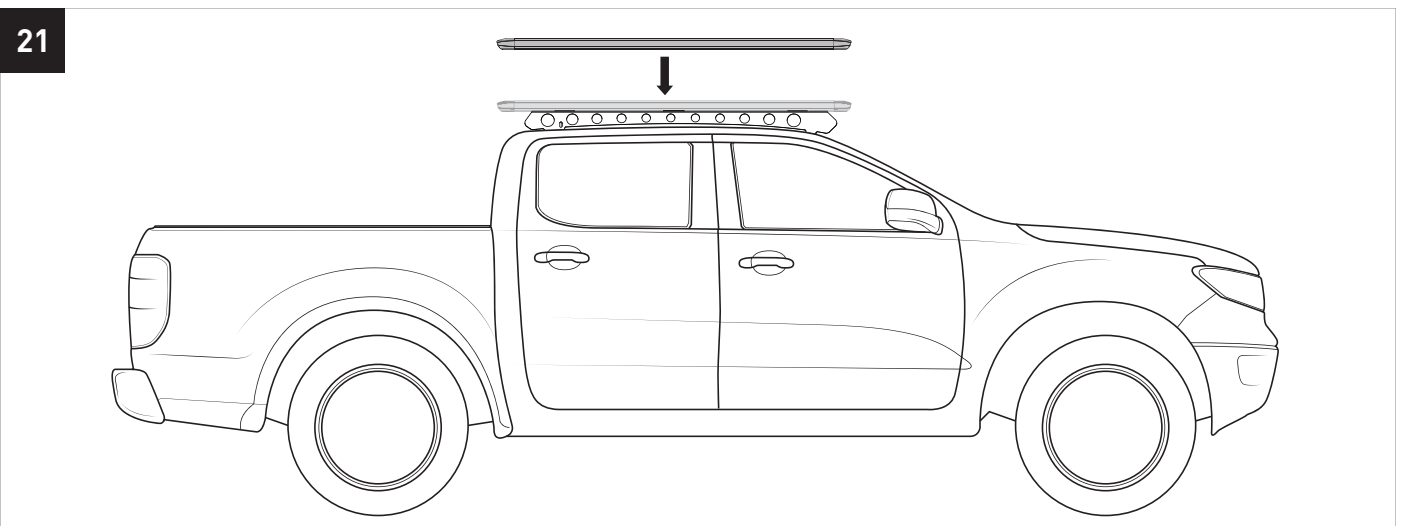
19



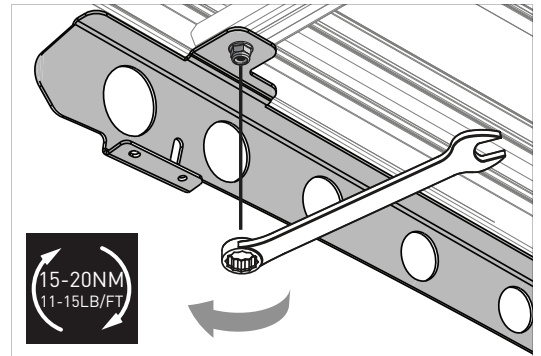
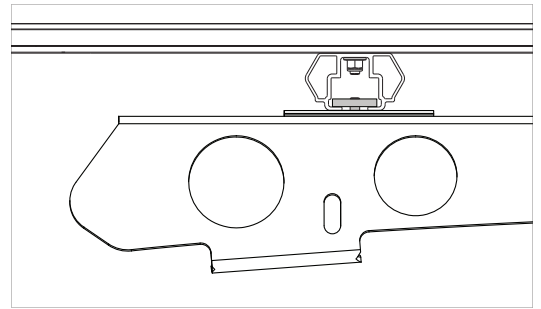
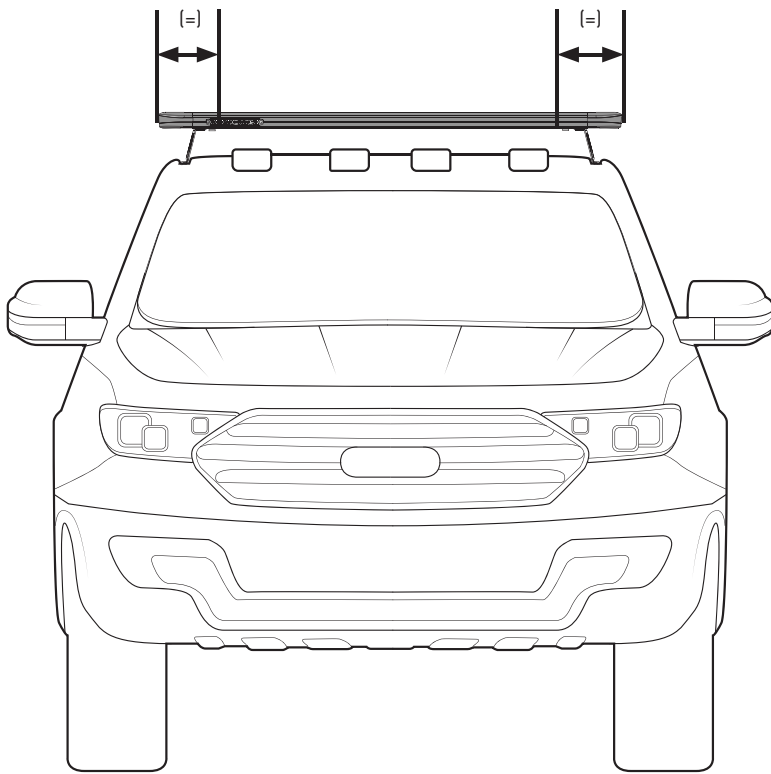
20 Backbone



21



22



Note

RHINO-RACK
PIONEER ALLOY TRAY (assembled)

Notes:

1. This tray is designed for use with the Pioneer Alloy Tray Mounting System.
2. This tray is not intended for use as a load-bearing surface. It is designed to hold items in place and prevent them from shifting.
3. This tray is not intended for use in areas where it will be exposed to extreme temperatures or corrosive materials.

Part No: 1000000000

RHINO-RACK | PIONEER VEHICLE FITTING INFORMATION

Vehicle Model	Year	Color	Tray Size
2015-2018	2015-2018	Black	20x30
2015-2018	2015-2018	White	20x30
2015-2018	2015-2018	Gray	20x30

INSTALLATION INSTRUCTIONS

Step	Description
1	Remove the top cover of the tray.
2	Insert the mounting brackets into the tray.
3	Tighten the bolts to the specified torque.

