



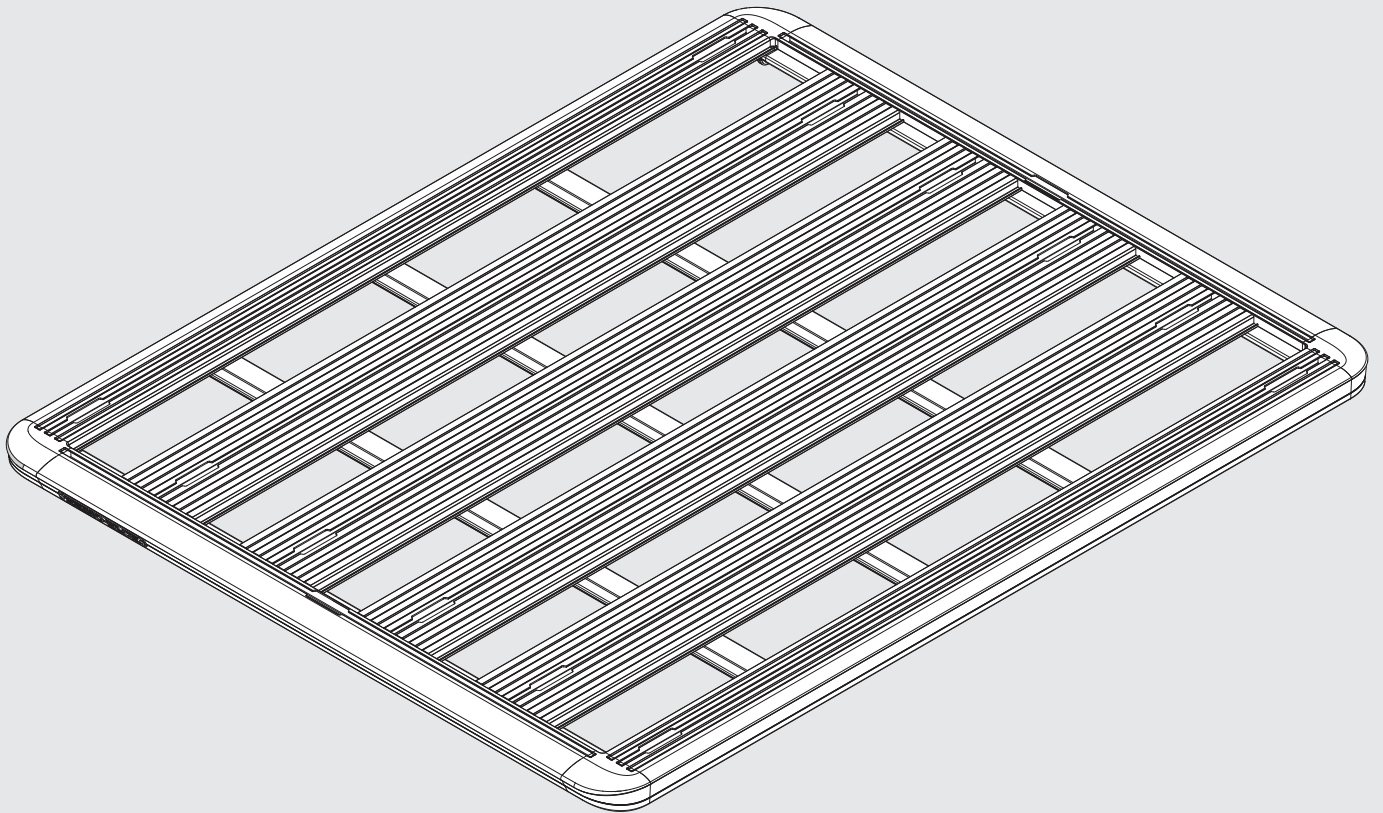
RHINO-RACK®

PIONEER ALLOY TRAY (flat pack)

Important:

1. Check the Rhino-Rack website to ensure you have the latest issue of these instructions.
2. Please refer to your fitting instruction to ensure that the roof racks are installed in the correct locations.
3. Check the contents of kit before commencing fitment and report any discrepancies.
4. Place these instructions in the vehicle's glove box after installation is complete.
5. These instructions must be followed for warranty to be upheld.

Fit Time: 1 hour



Instructions

Carrying Capacity

Max system load capacity (incl. system weight), refer to Pioneer fit sheet.

Check your vehicle owners hand book for vehicle maximum carrying capacity. Please ensure you use the vehicle manufacturers maximum roof allowance if it is lower than the figure listed in this instruction.

Load must be evenly distributed over the system.

Off Road: Any driven path taken that does not contain a surface protection layer (tar/bitumen).

Vehicle Load Limit: Total permissible weight attached to the roof of the car. This is inclusive of the weight of the roof rack system.

System Load Limit: Total permissible weight allowed on top, and attached to roof racks whilst the vehicle is in motion.

Torque Settings

Unless stated otherwise in these instructions, all fasteners should be set to the following torque settings - M6: 4-5Nm (3-4lbs/ft), M8: 8-10Nm (6-7.5lbs/ft) and M10: 16-18Nm (12-13lbs/ft).

Warning

- Check part number or kit is correct for use with your vehicle.
- Do not attempt to fit the rack system to your vehicle unless you fully understand these fitting instructions. Please direct any questions regarding fitting to the dealer from where the roof racks were purchased.
- Although the system is tested and approved to AS1235-2000 / ISO 11154, off-road conditions can be much more rigorous. Extreme care must be taken in off road conditions.
- Roof racks must be removed when vehicle is put through an automatic car wash.
- With utility vehicles, the cabin and the canopy move independently. Roofracks and vehicle can be damaged if the item transported is rigidly fixed at points on both the cabin and canopy. Instead, rigidly fix to either the cabin roof racks or the canopy roof racks.
- Always ensure you fasten your load securely.
- Use only non-stretch fastening ropes or straps to attach cargo to your load.

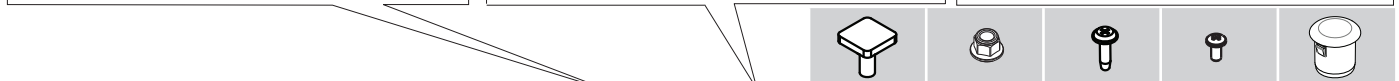
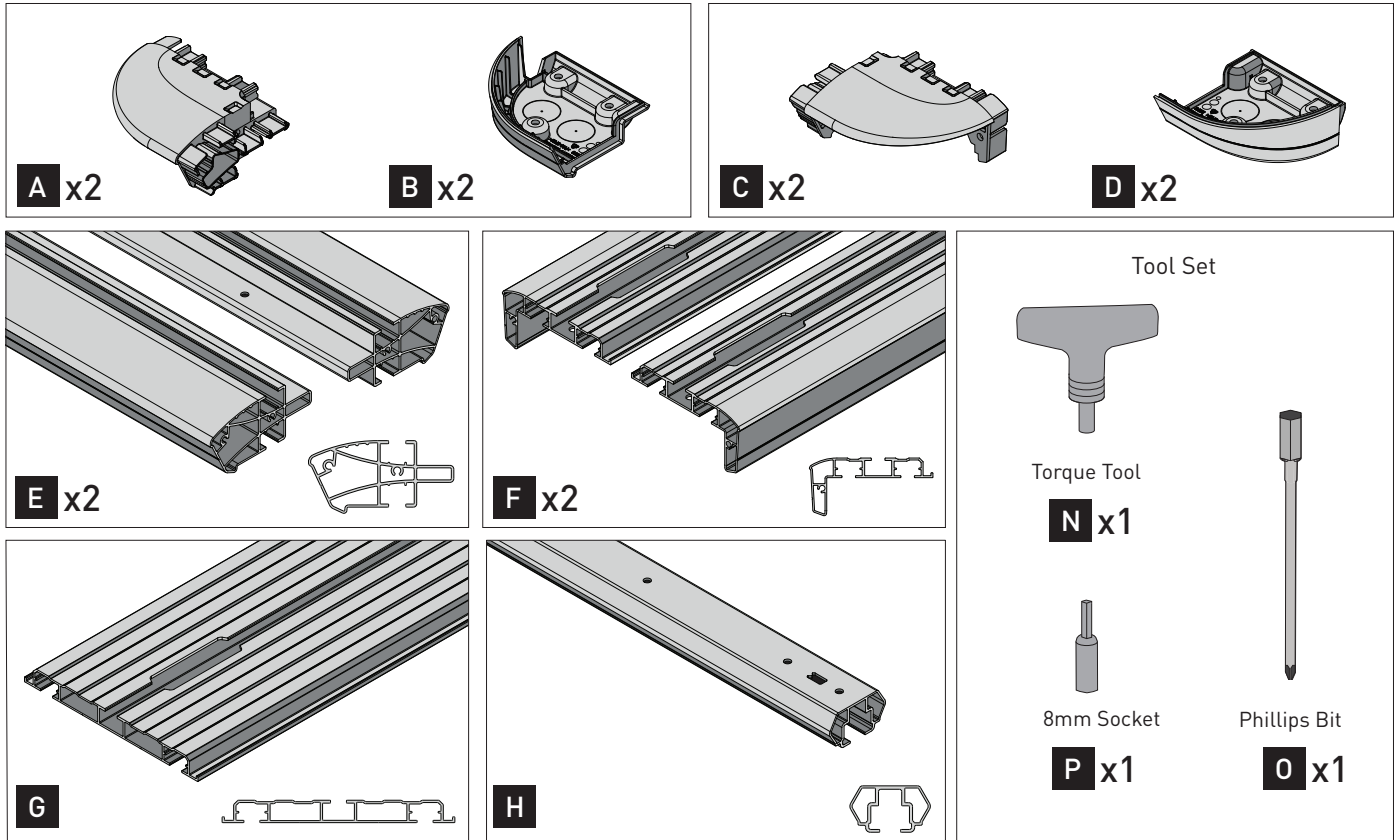
In service maintenance checks

- All bolted connections should be checked after driving a short distance when you first install your roof racks.
- All bolted connections should be checked again at regular intervals (weekly is recommended, depending on road conditions, usage, loads and distances travelled).
- All bolted connections should be checked each time they are re-fitted.

Note for Dealers and Fitters

It is your responsibility to ensure these fitting instructions are given to the end user or client. These instructions remain the property of Rhino-Rack Australia Pty. Ltd. and may not be used or changed for any other purpose than intended.

Instructions



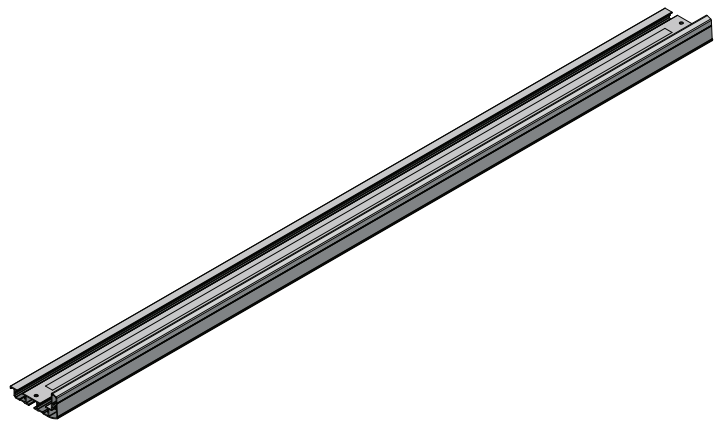
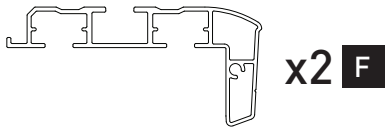
Platform #	L x W (mm)	L x W (inches)	G	H	I	J	K	L	M
52100	1528 x 1236	60' x 49'	4	3	52	52	12	16	6
52101	1528 x 1376	60' x 54'	5	3	62	62	12	16	6
52102	1928 x 1236	76' x 49'	4	5	76	76	12	16	6
52103	1928 x 1376	76' x 54'	5	5	90	90	12	16	6
52104	2128 x 1426	84' x 56'	5	5	90	90	12	16	N/A
52105	2728 x 1465	107' x 58'	5	6	104	104	12	16	N/A
52107	2128 x 1236	84' x 49'	4	5	76	76	12	16	N/A
52108	1828 x 1426	72' x 56'	5	5	90	90	12	16	N/A
52109	1328 x 1236	52' x 49'	4	3	52	52	12	16	N/A
52110	1328 x 1376	52' x 54'	5	3	62	62	12	16	N/A
52111	1328 x 1426	52' x 56'	5	3	62	62	12	16	N/A
52112	928 x 1426	37' x 56'	5	2	48	48	12	16	N/A
52113	1528 x 1426	60' x 56'	5	3	90	90	12	16	N/A
52114	1228 x 952	48' x 37'	3	1	22	22	12	16	N/A
52115	1478 x 1184	58' x 47'	4	1	28	28	12	16	N/A
52119	2528 x 1586	100' x 62'	5	6	104	104	12	16	N/A
52120	1528 x 1586	60' x 62'	5	3	62	62	12	16	N/A
52121	1228 x 1426	48' x 56'	5	3	62	62	12	16	N/A

Tools required:

Herramientas necesarias:

- T1 - Phillips head screwdriver.
- T2 - Power drill.

Instructions



1

✓

✗

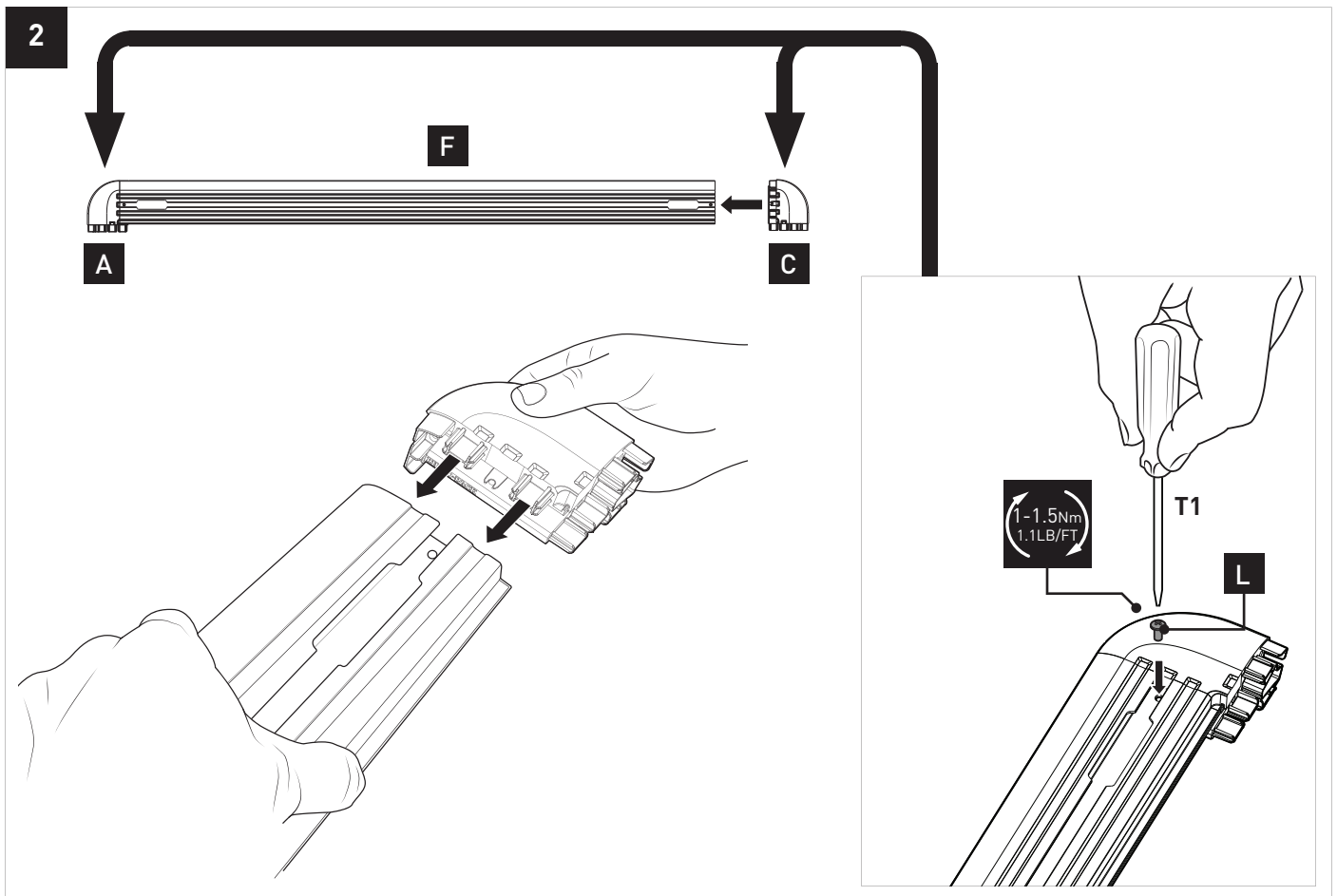
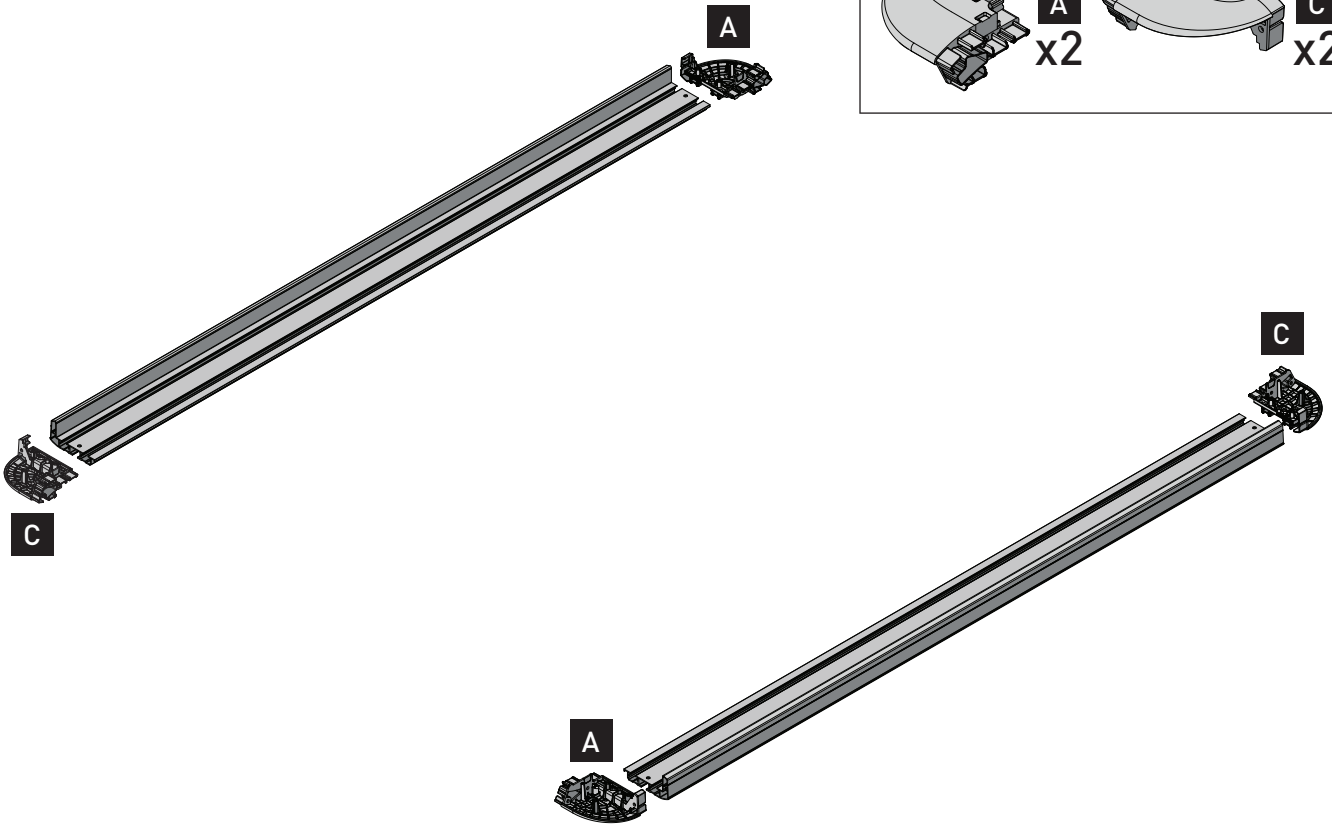
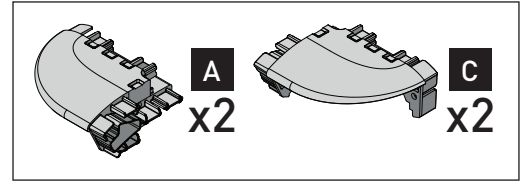
H x3 = **I** x12

H x4 = **I** x16

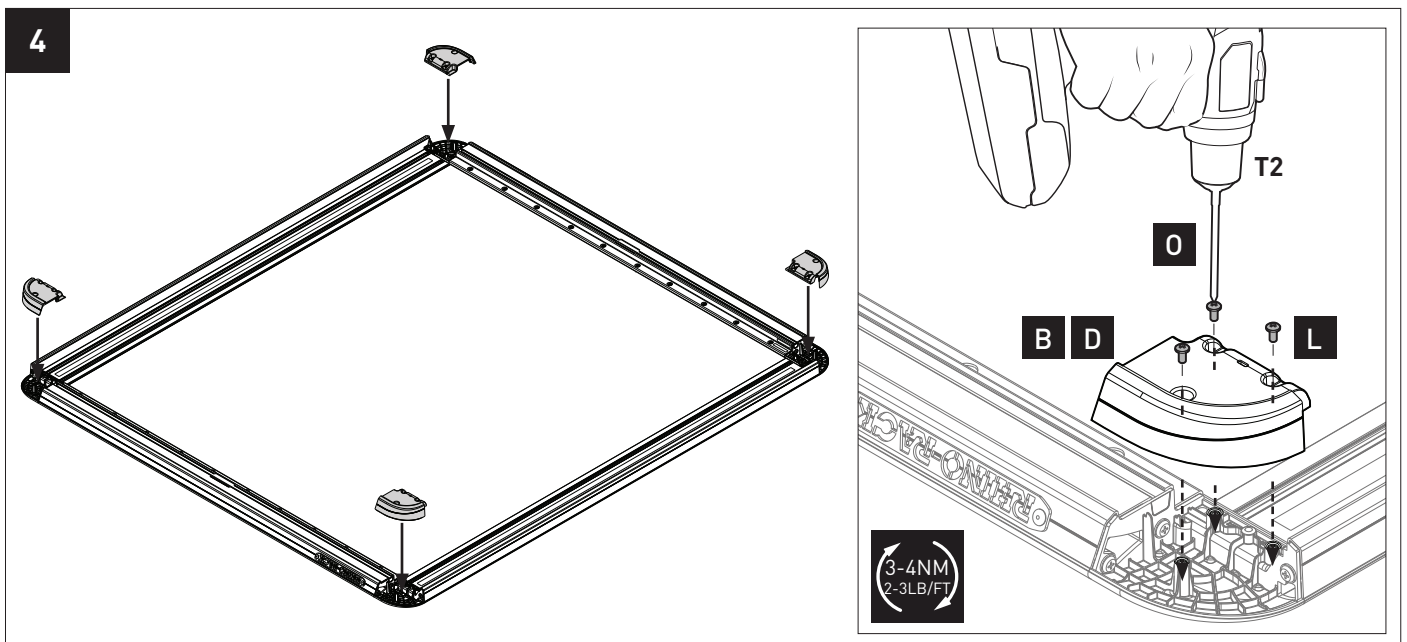
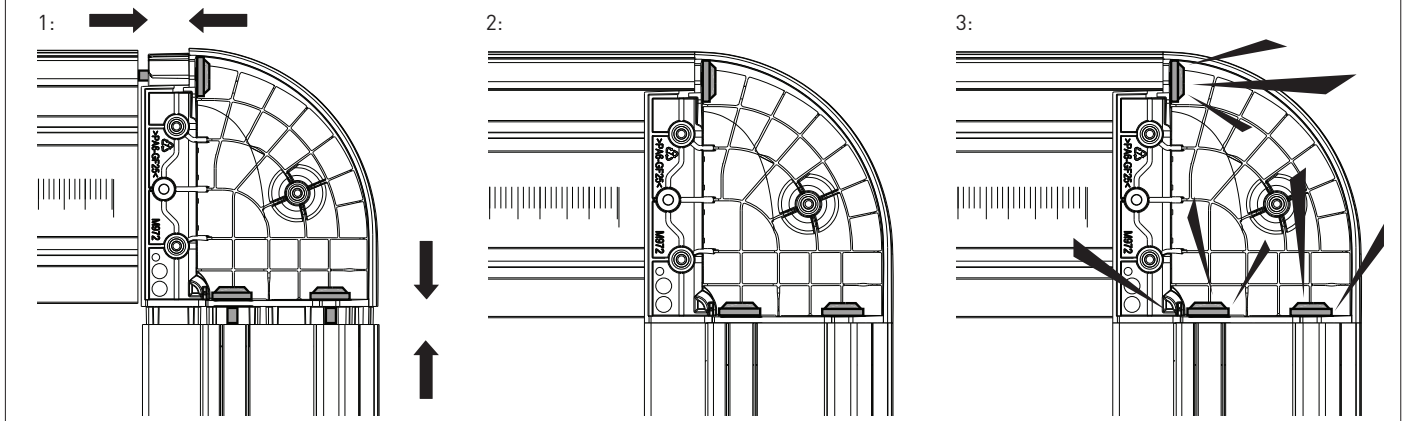
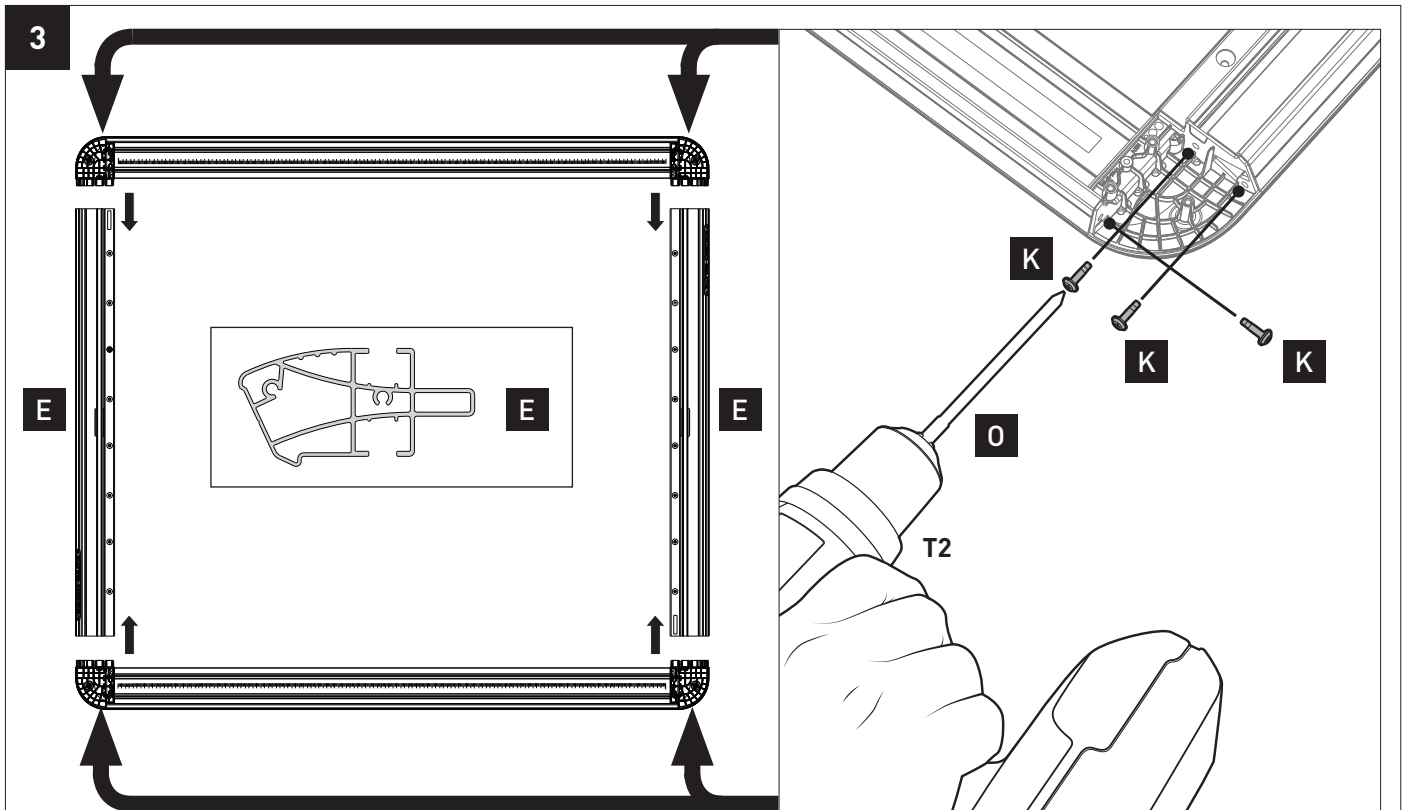
H x5 = **I** x20

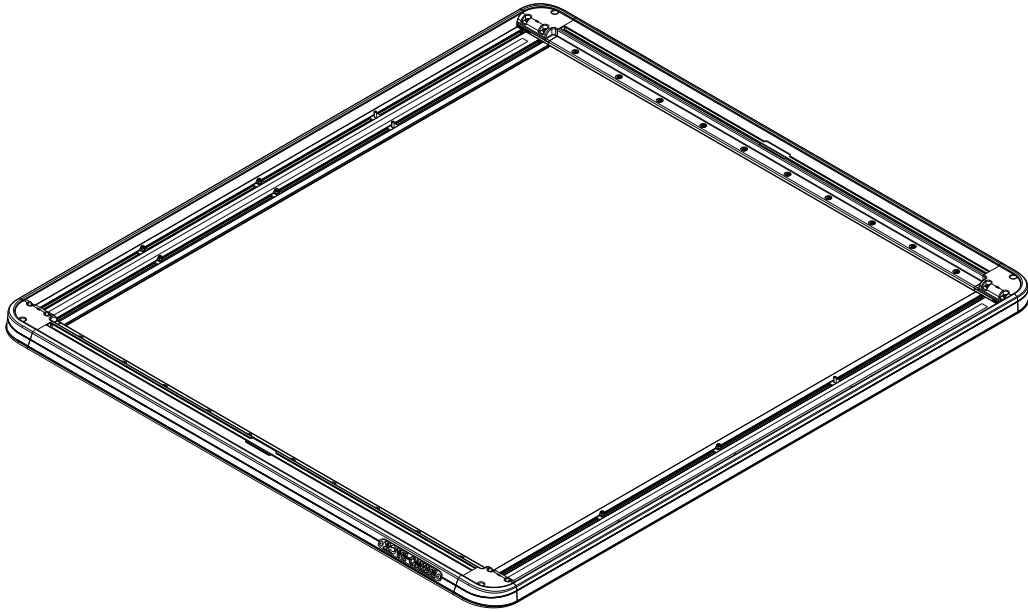
H x6 = **I** x24

Instructions



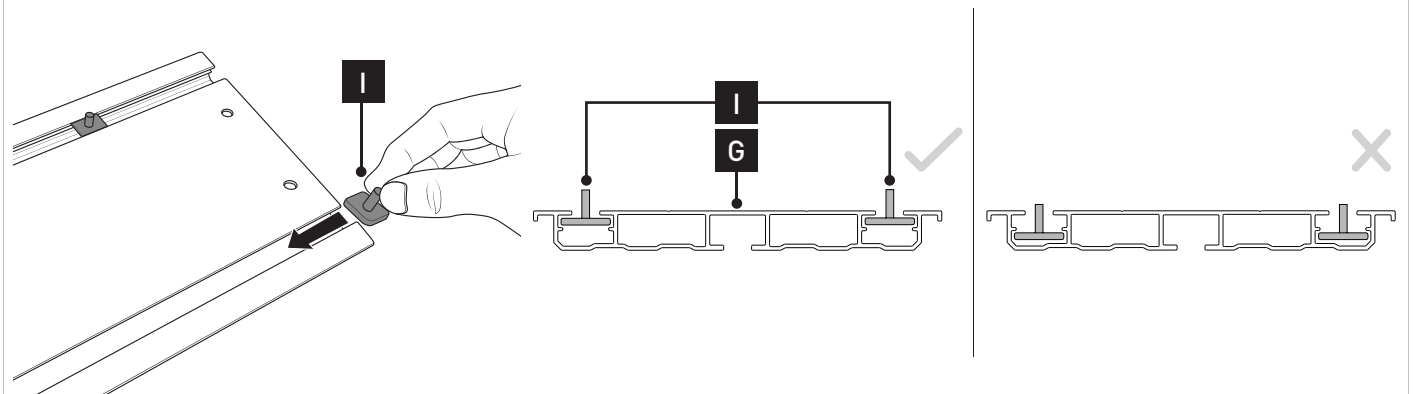
Instructions



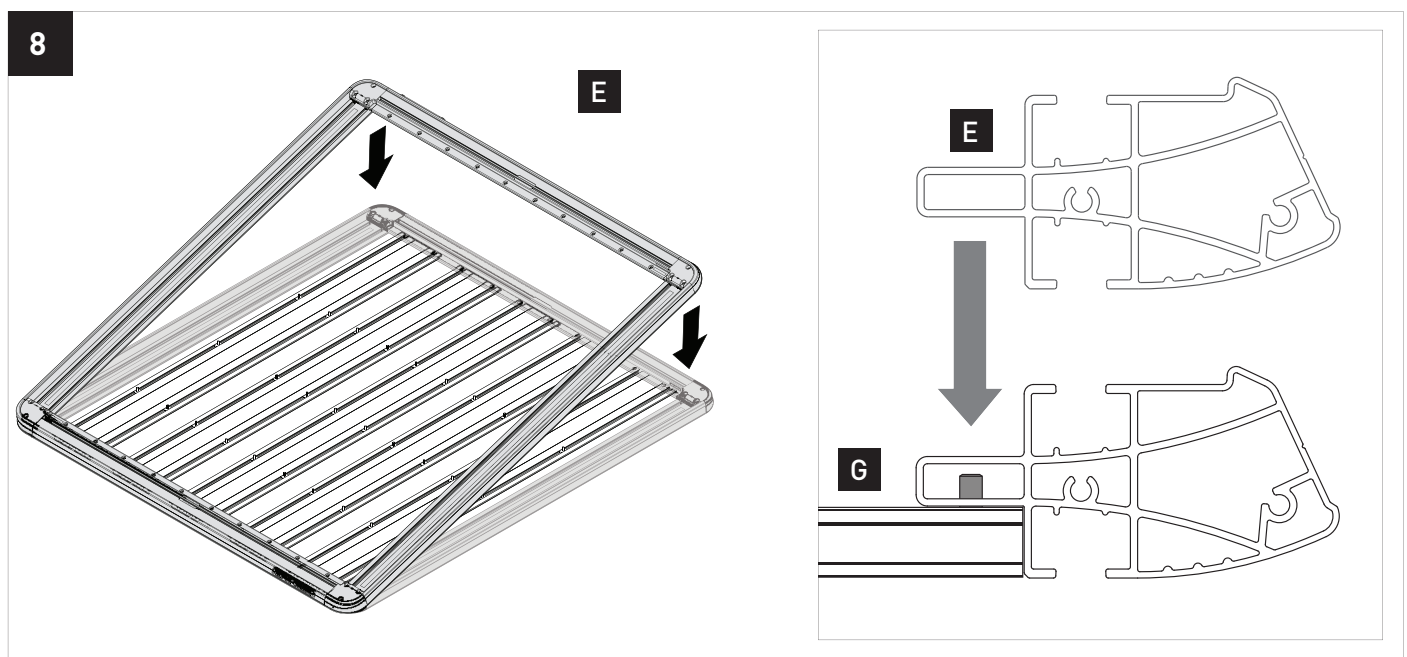
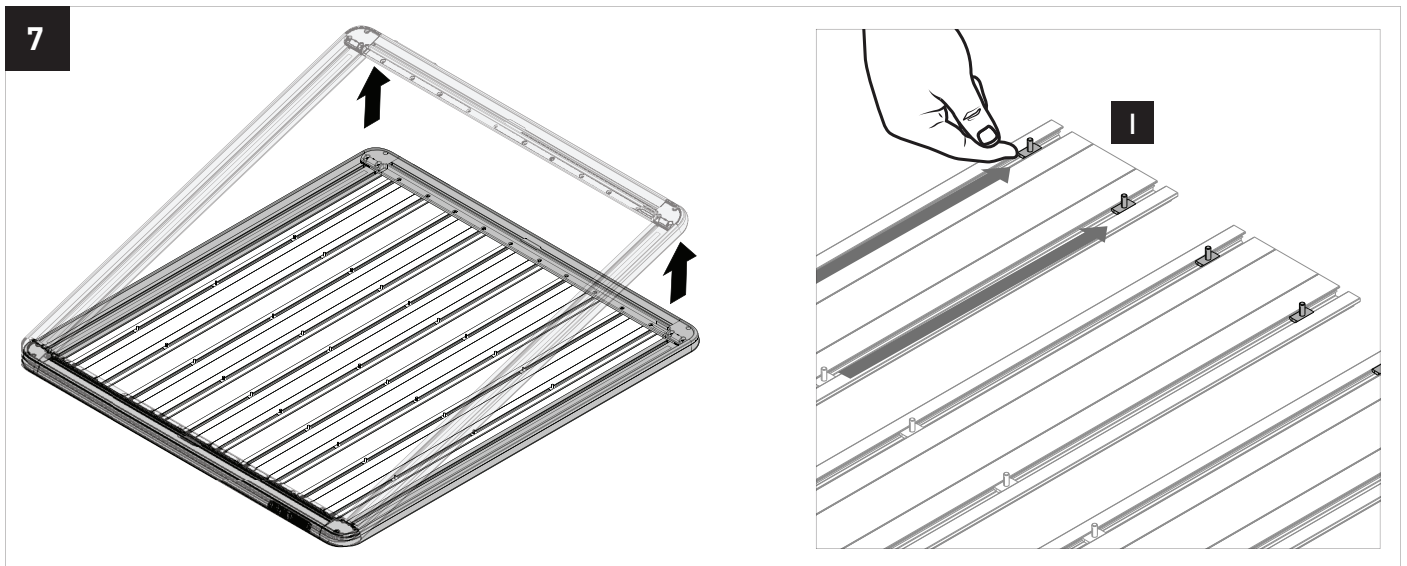
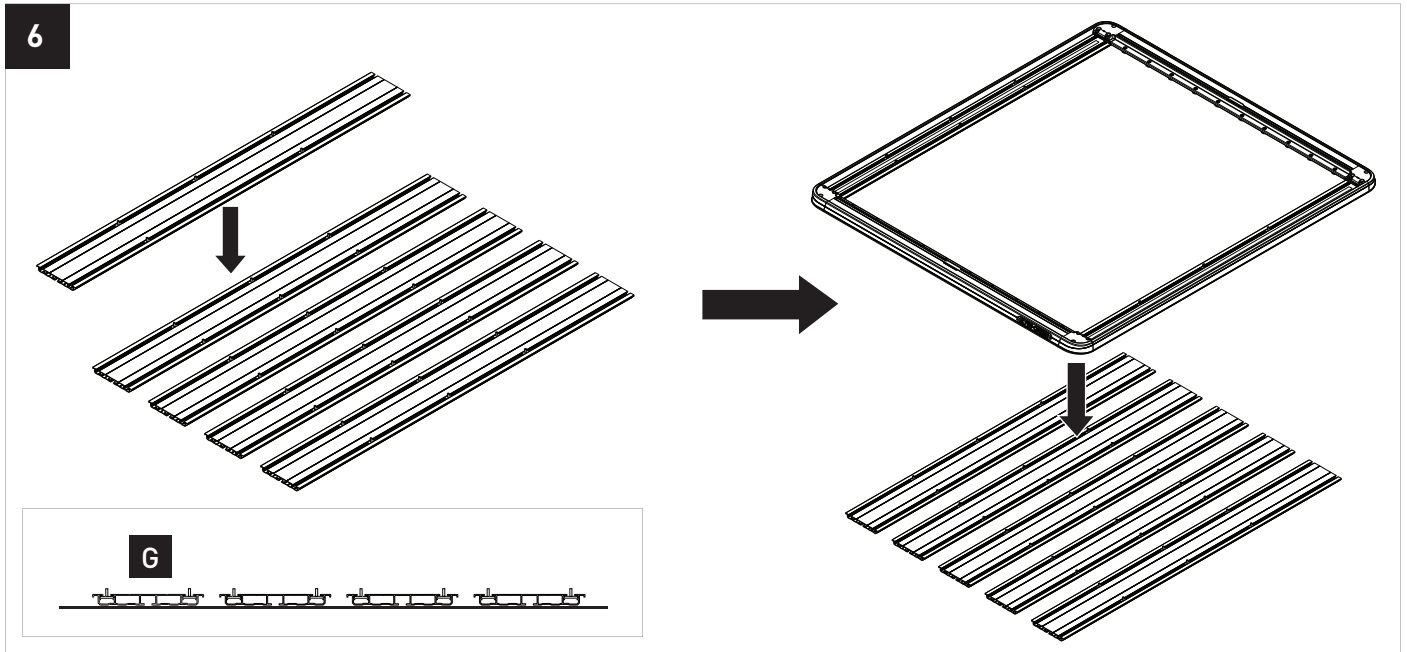


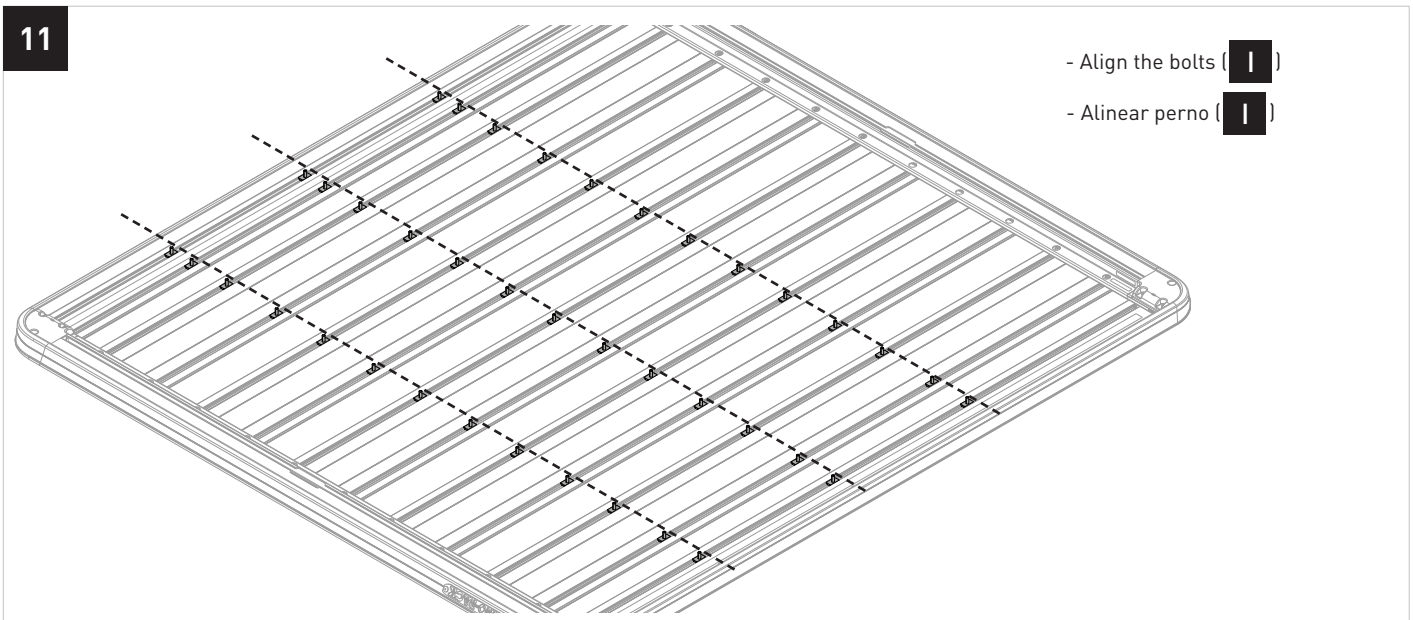
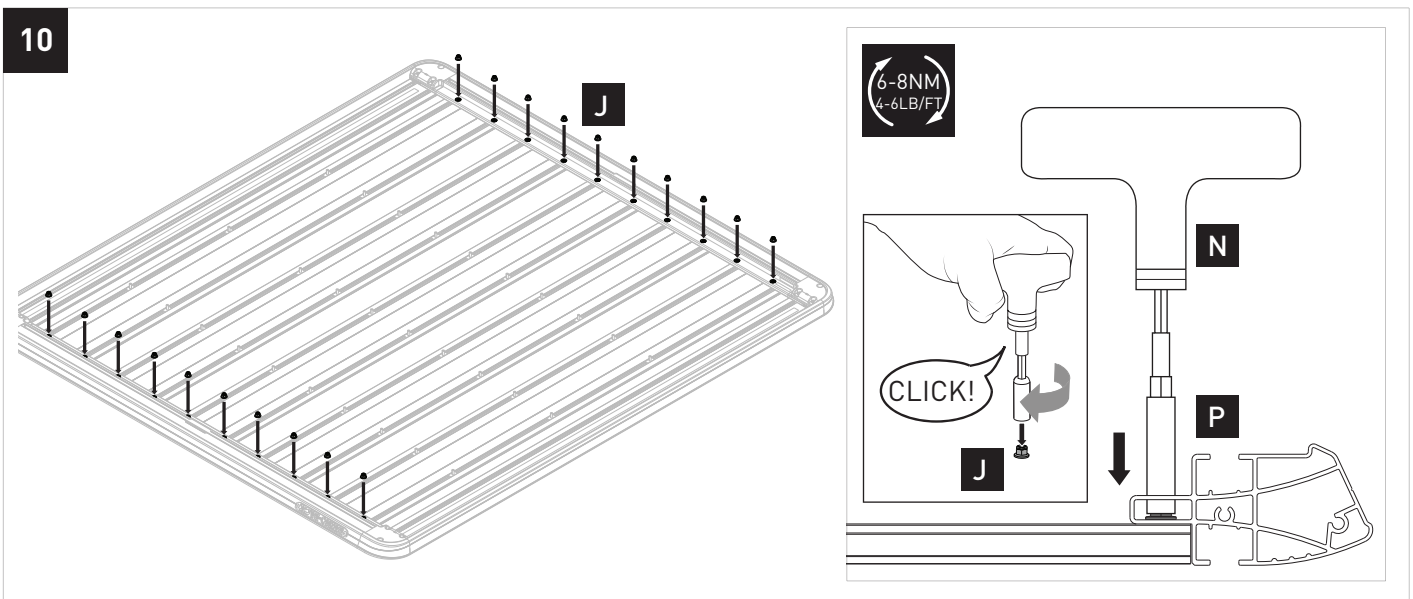
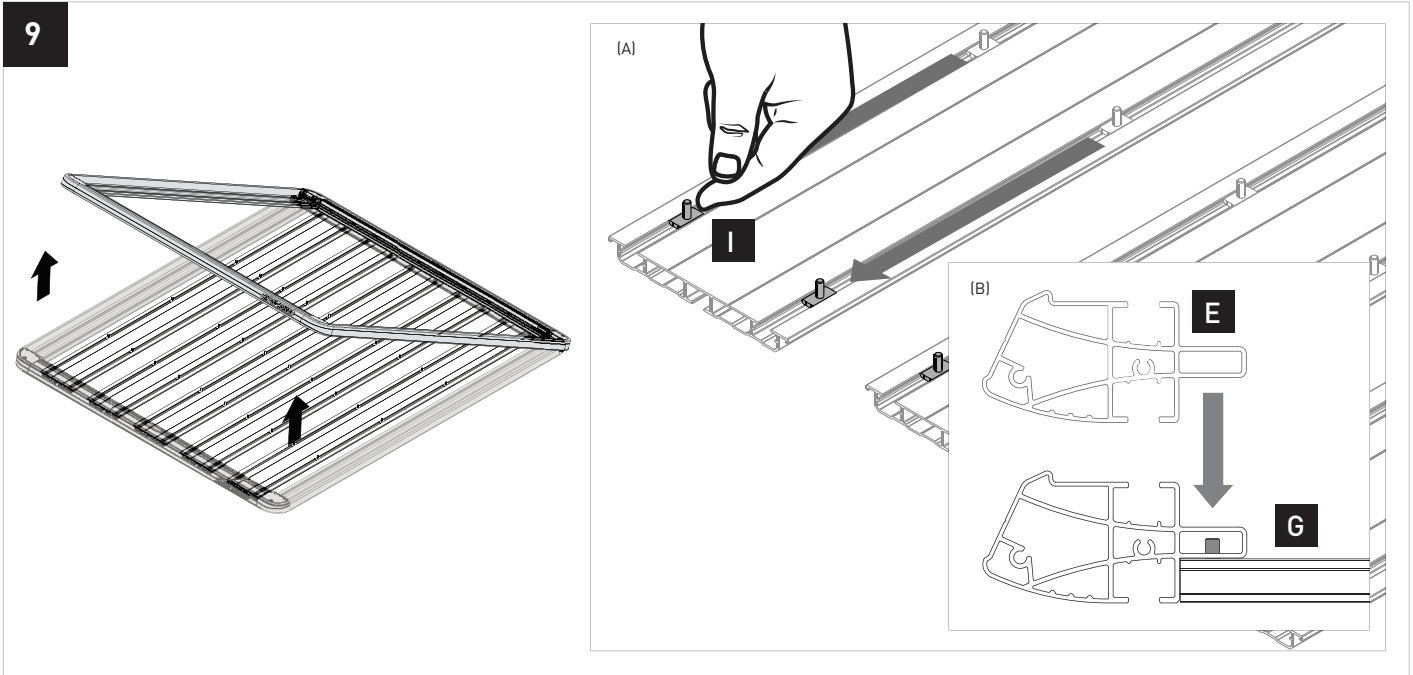
5

<p>E x3 + H x10 = I x10</p>	<p>E x4 + H x12 = I x12</p>	<p>E x5 + H x14 = I x14</p>	<p>E x6 + H x16 = I x16</p>
<p>I</p> <p>G</p>	<p>I</p> <p>G</p>	<p>I</p> <p>G</p>	<p>I</p> <p>G</p>



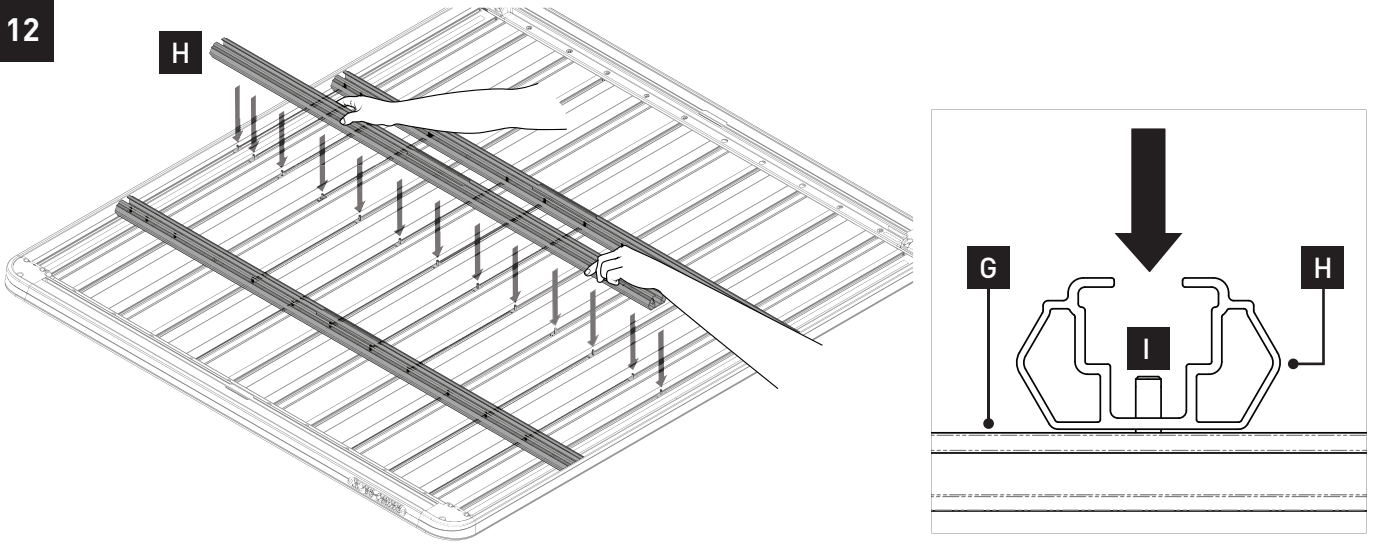
Instructions



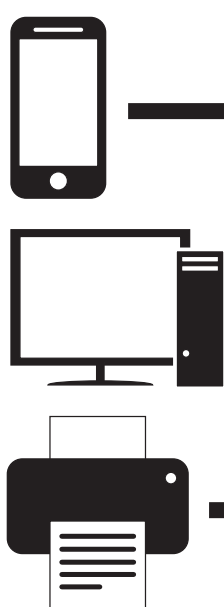
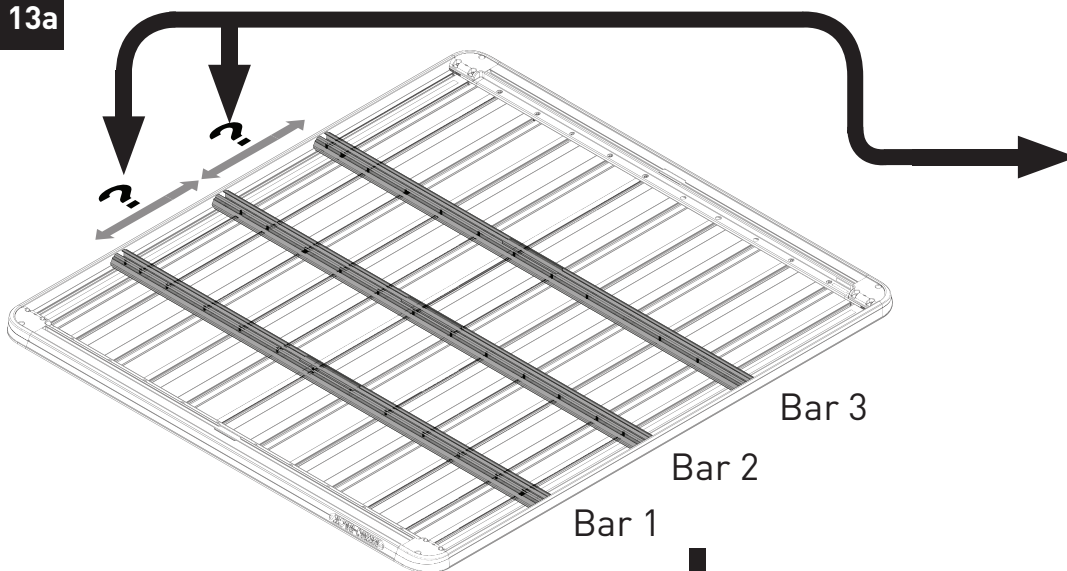


Instructions

12



13a



RHINO-RACK | PIONEER VEHICLE FITTING INFORMATION

VEHICLE	PIONEER SIZE	CONNECTOR	HEIGHT ADDED (mm / in)
EXAMPLE ONLY	53100	RCL	120.0 / 4.7

IMPORTANT NOTES RCP48-BK required. Fixed point factory mount. -

REGION	AUS	NZ	USA	CA	SA	UK	EU	ZA
AVAILABILITY	✓	✓	✓	✓	✓	✓	✓	✓
RUNNING DATES	02/15 -	02/15 -	-	-	-	-	-	-

UNDERBAR SPACING

FRONT	A	B	C	D	E	F	G	REAR
SIZE (mm)	46.2	0	46.2					
SPACERS REQ'D								
CONNECTOR	RCL		RCL					

VEHICLE LOAD LIMIT (VLL) (kg / lbs)	SYSTEM WEIGHT (SW) (kg / lbs)	ON-ROAD CARBO ALLOW. (OR) (kg / lbs)	OFF-ROAD CARBO ALLOW. (OF) (kg / lbs)
Up to 100 / 220.5 *	19 (41.2)	OR = VLL - SW	OF = OR / 1.5

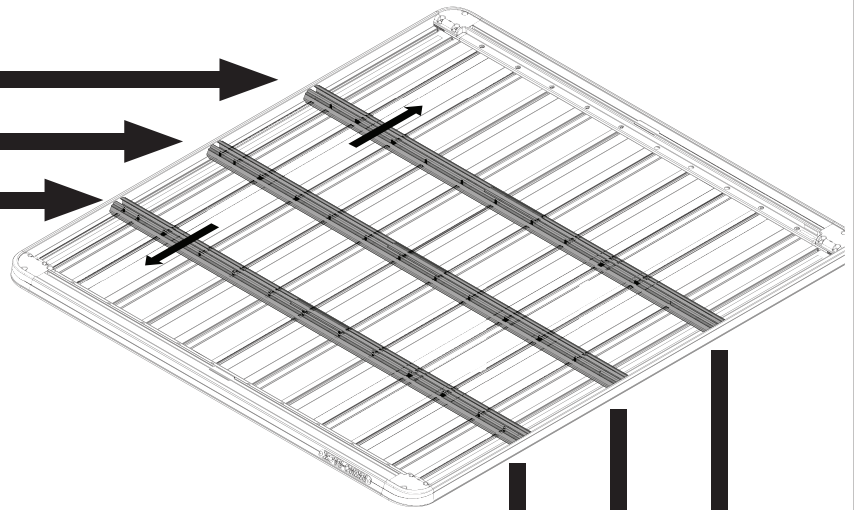
*CHECK YOUR VEHICLE OWNERS HANDBOOK FOR VEHICLE MAXIMUM CARRYING CAPACITY. PLEASE ENSURE YOU USE THE VEHICLE MANUFACTURERS MAXIMUM ROOF ALLOWANCE IF IT IS LOWER THAN THE FIGURES LISTED IN THIS INSTRUCTION.

Bar 1, 2, 3



Instructions

13b



RHINO-RACK PIONEER VEHICLE FITTING INFORMATION

VEHICLE	PIONEER SIZE	CONNECTOR	HEIGHT ADDED (mm / in)
EXAMPLE ONLY	92100	RCL	120.0 / 4.7

IMPORTANT NOTES: RCP68-BK required. Fixed point factory mount. -

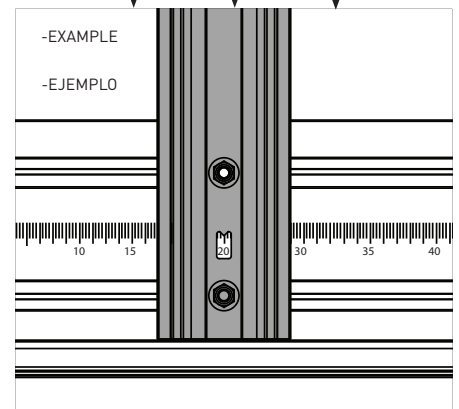
REGION	AUS	NZ	USA	CA	SA	UK	EU	ZA
AVAILABILITY	✓	✓	x	x	x	x	x	x
RUNNING DATES	02/15 -	02/15 -	-	-	-	-	-	-

UNDERBAR SPACING

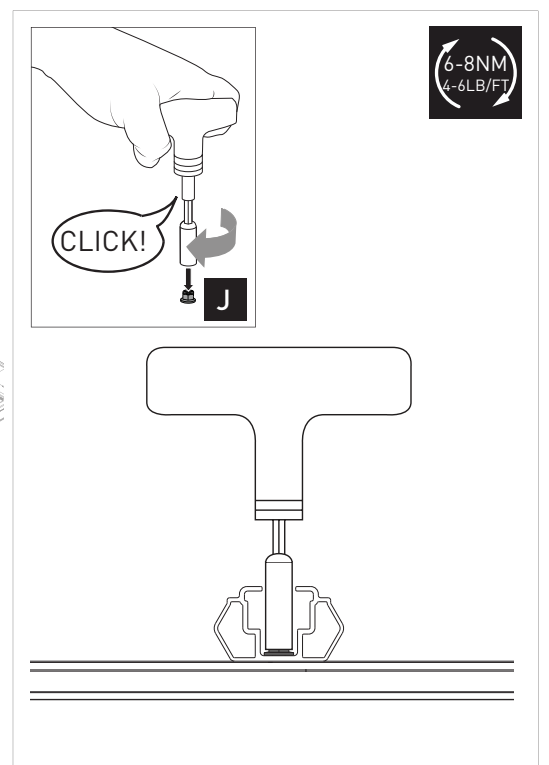
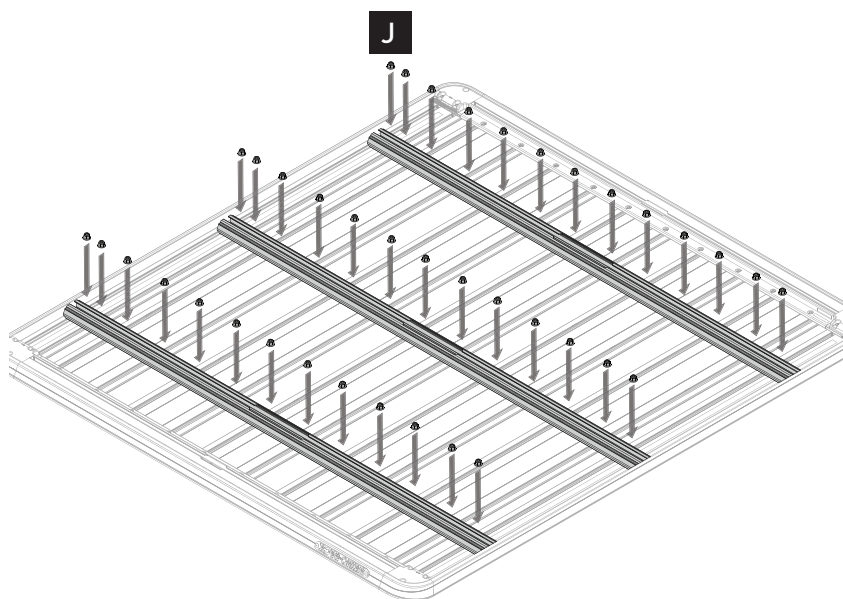
BAR NO	A	B	C	D	E	F	G
DIMENSION (CM)	45.7	B	45.7				
SPACERS REQ'D							
CONNECTOR	RCL		RCL				

VEHICLE LOAD LIMIT (VLL) (kg / lbs)	SYSTEM WEIGHT (SW) (kg / lbs)	ON-ROAD CARGO ALLOW. (OR) (kg / lbs)	OFF-ROAD CARGO ALLOW. (OFR) (kg / lbs)
Up to 100 / 220.5 *	19 / 41.2	OR = VLL - SW	OFR = OR / 1.5

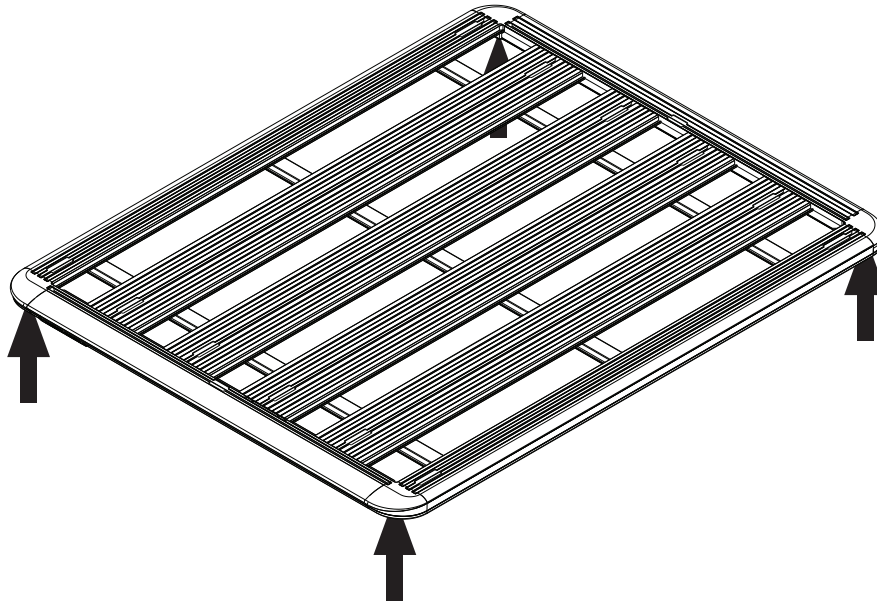
*CHECK YOUR VEHICLE OWNERS HANDBOOK FOR VEHICLE MAXIMUM CARRYING CAPACITY. PLEASE ENSURE YOU USE THE VEHICLE MANUFACTURERS MAXIMUM ROOF ALLOWANCE IF IT IS LOWER THAN THE FIGURE LISTED IN THIS INSTRUCTION.



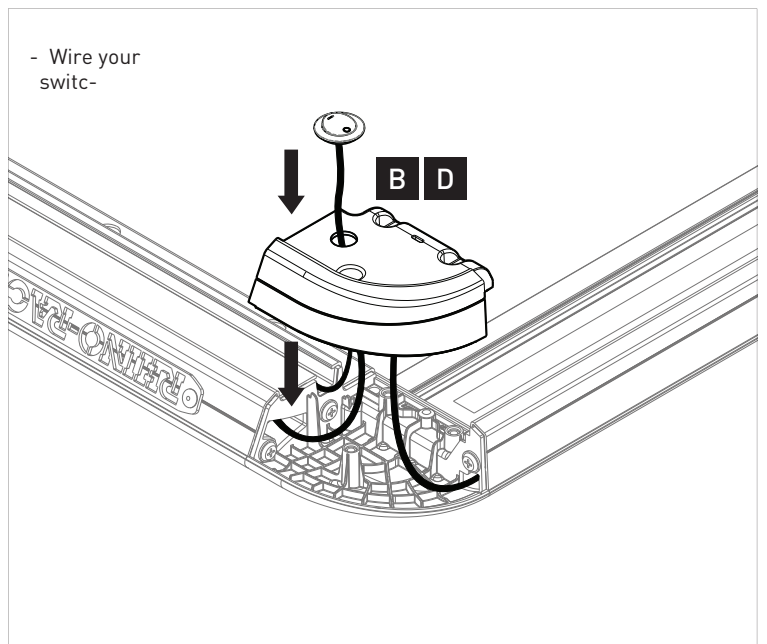
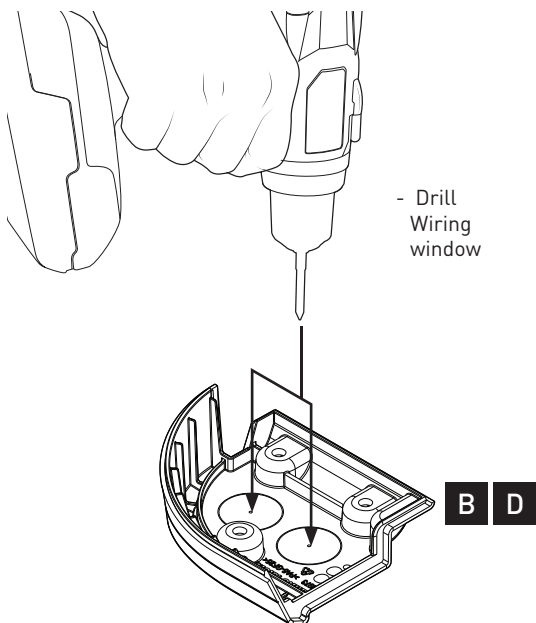
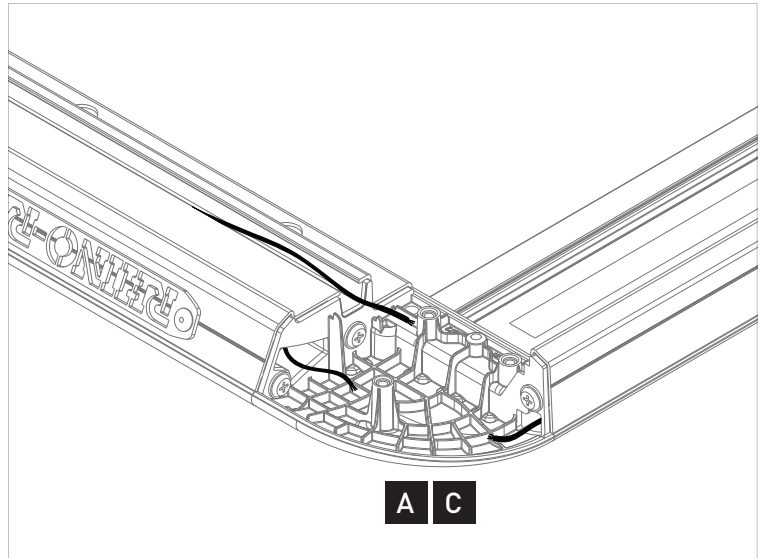
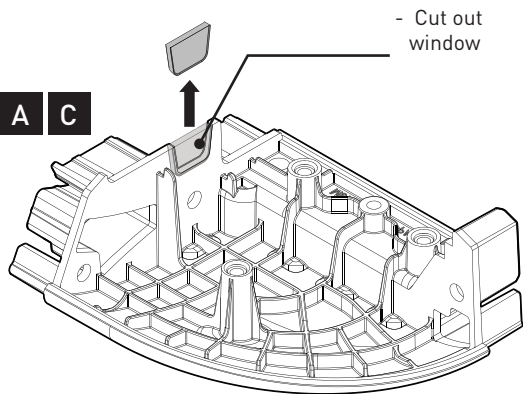
14



Instructions

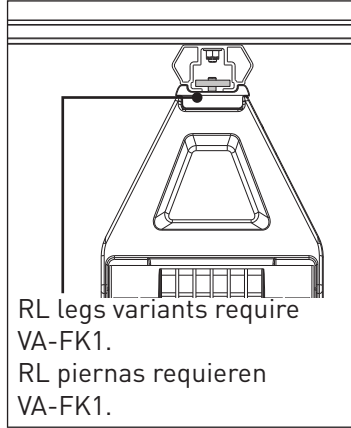
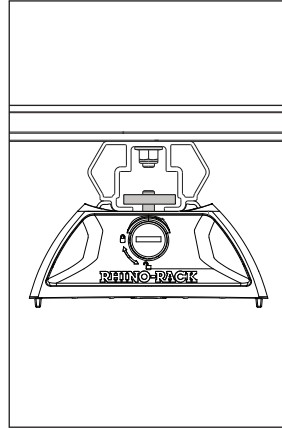
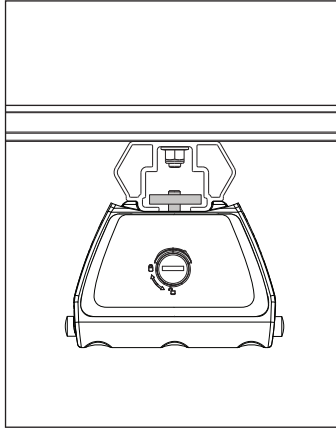
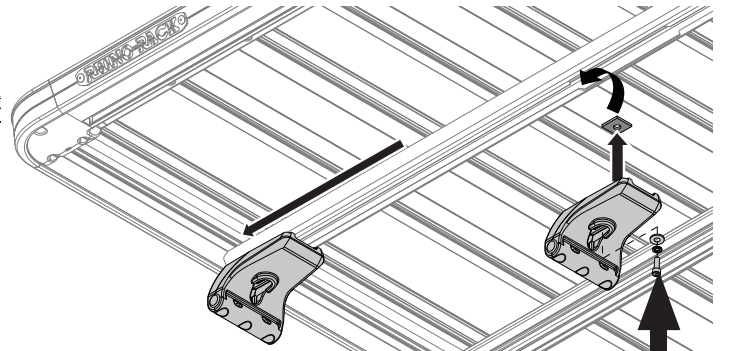
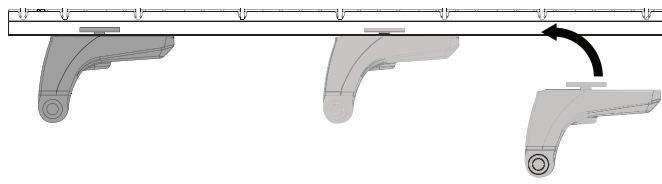


Note - For Wiring

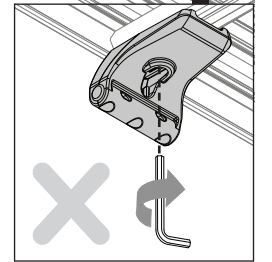


Instructions

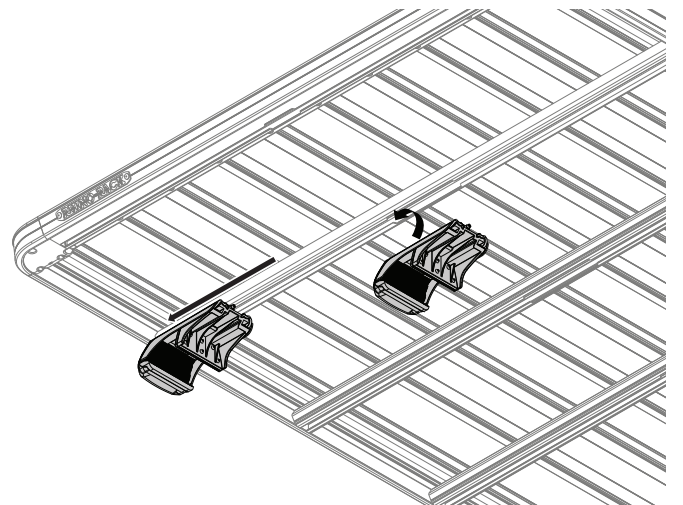
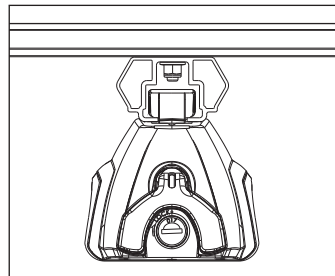
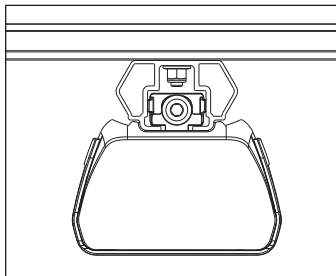
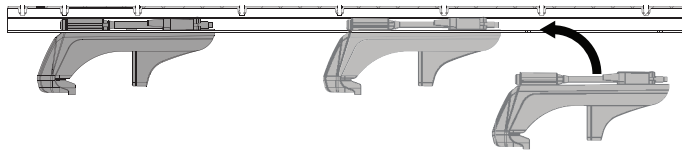
15 RLT600, RCL/RCH,
RL leg variants.



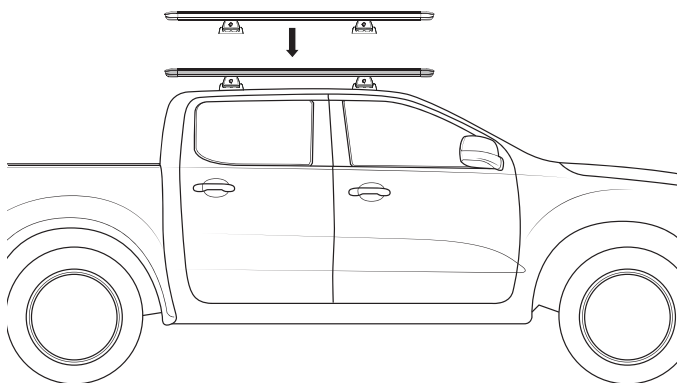
RL legs variants require
VA-FK1.
RL piernas requieren
VA-FK1.



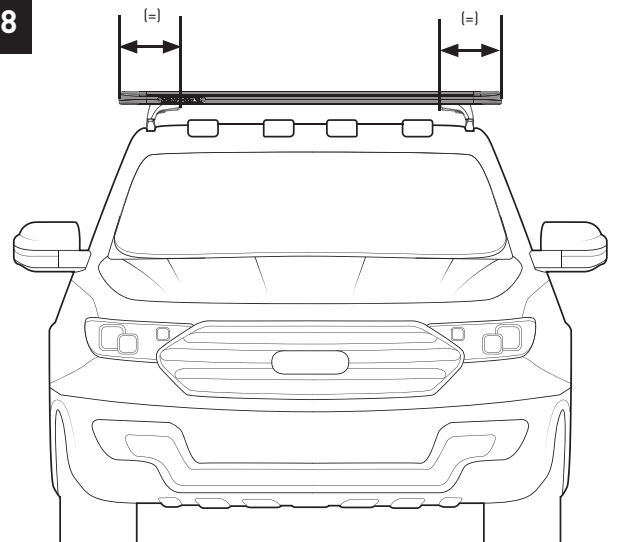
16 SXB



17

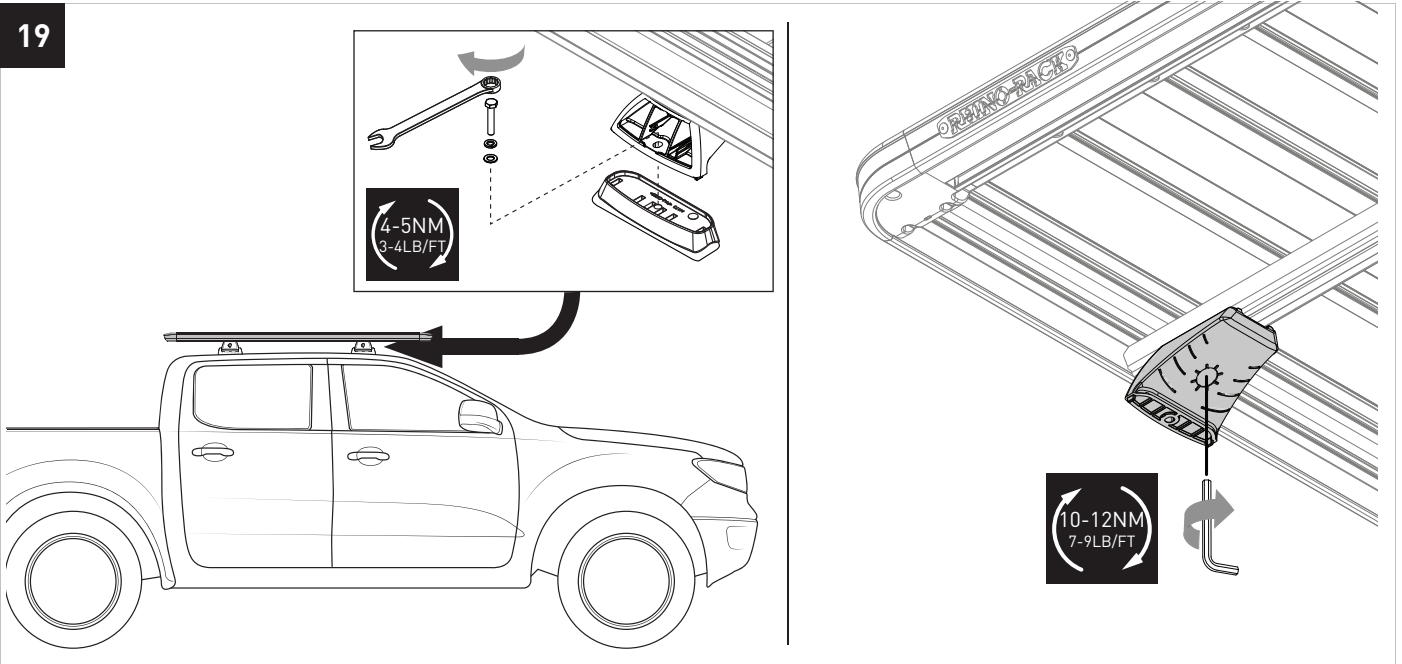


18

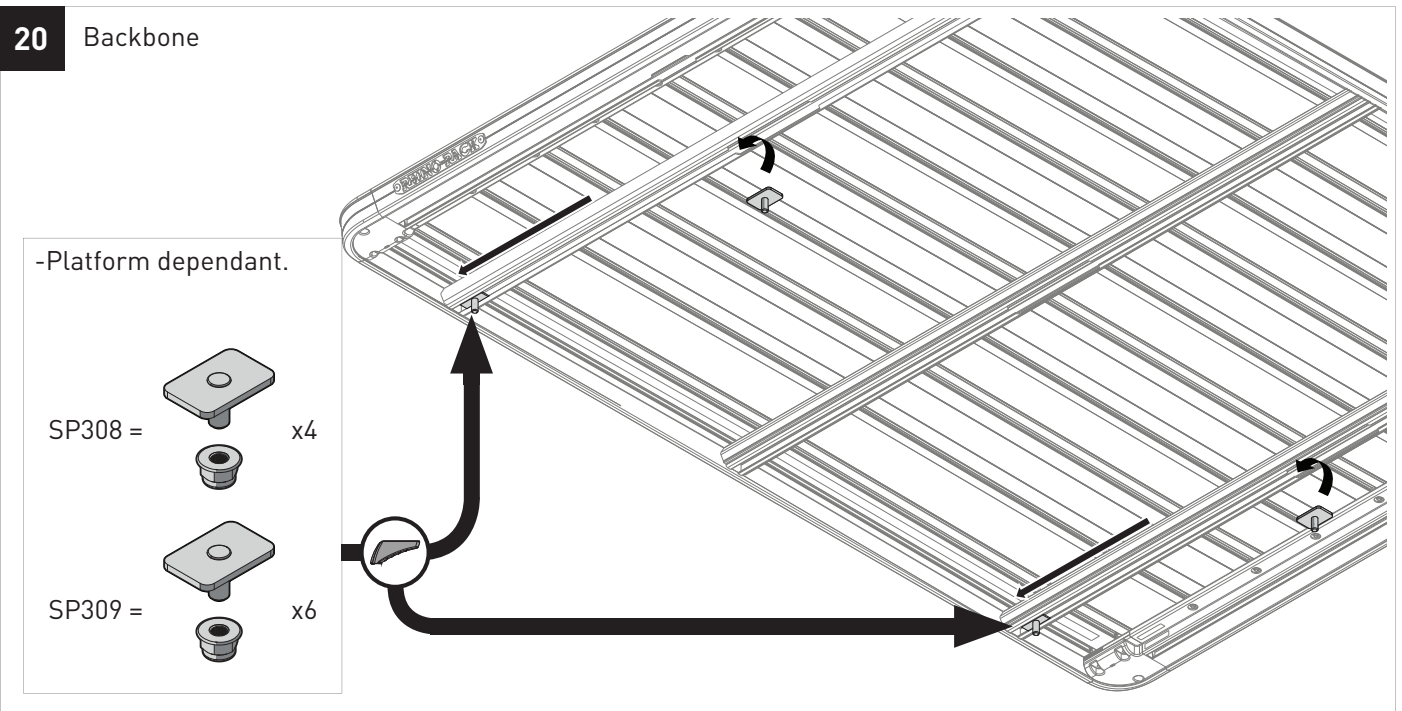


Instructions

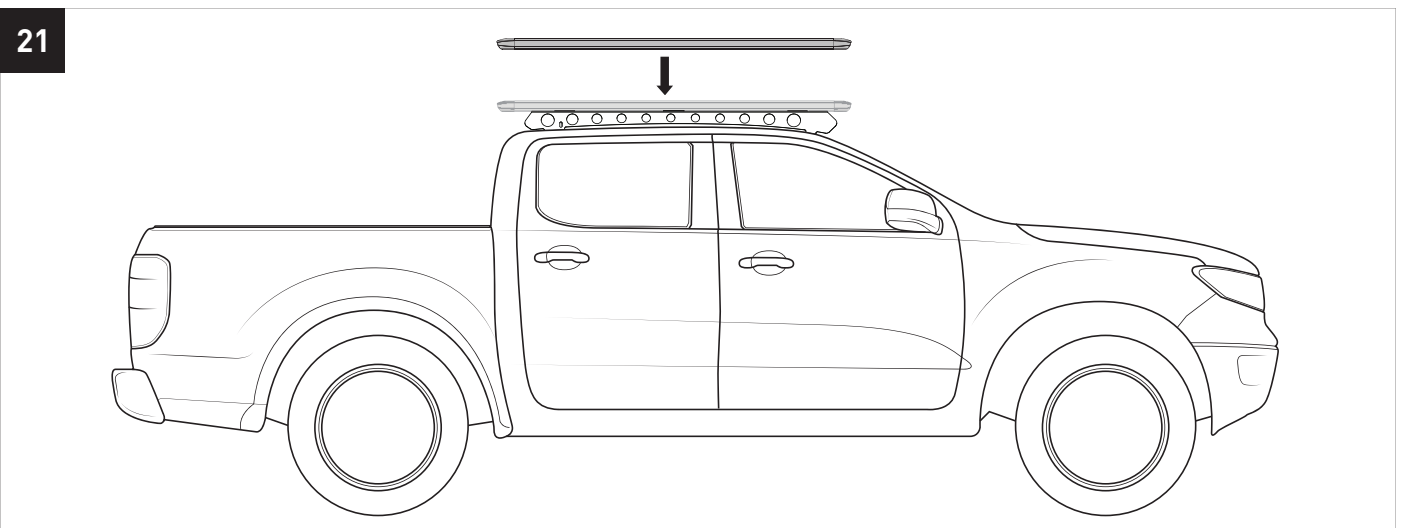
19



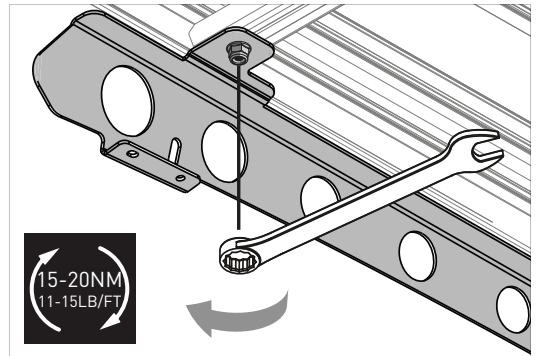
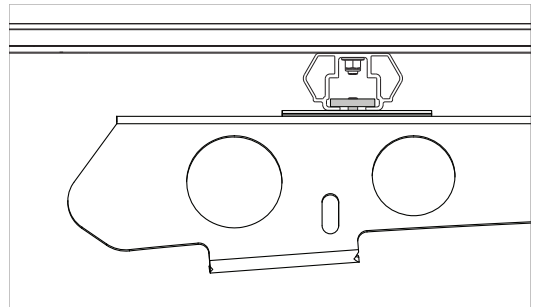
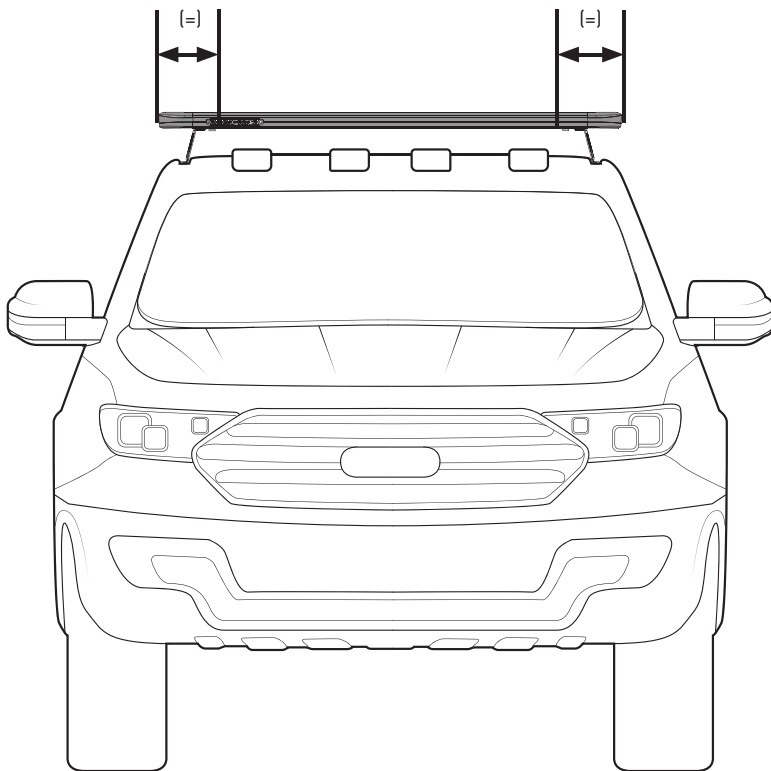
20 Backbone



21




22



15-20NM
11-15LB/FT

Note

RHINO-RACK
PIONEER ALLOY TRAY (assembled)

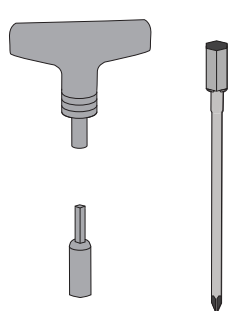


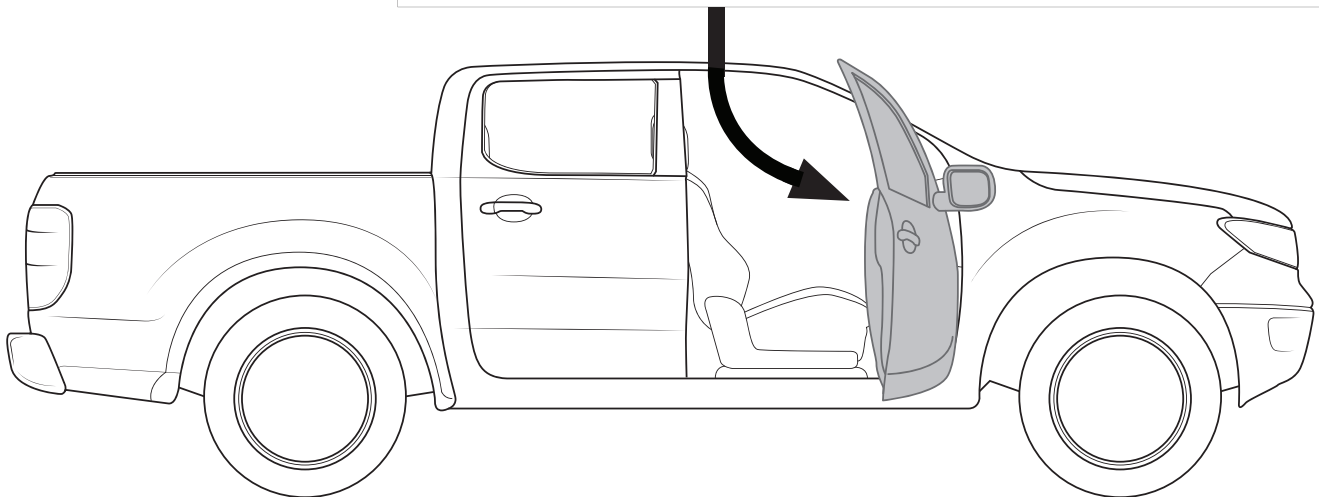
RHINO-RACK | PIONEER VEHICLE FITTING INFORMATION

Vehicle	Year	Model	Tray Part No.	Tray Weight (kg)	Tray Weight (lb)
2015-2017	2015-2017	2015-2017			

WEATHER STRIPPING

Vehicle	Year	Model	Weather Stripping Part No.
2015-2017	2015-2017	2015-2017	







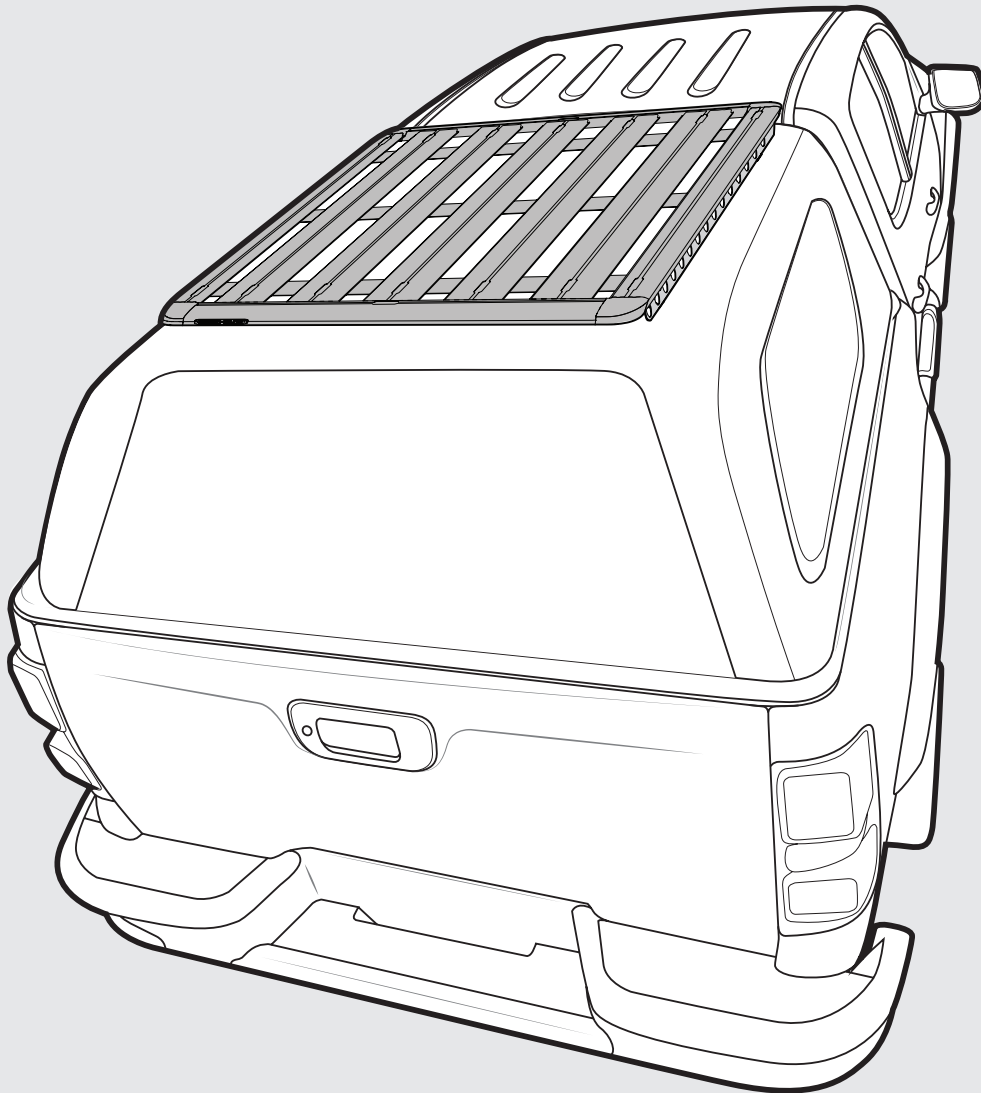
RHINO-RACK®

Universal Backbone Fitting Instructions RUMB1 & RUMB2

Important:

1. Check the Rhino-Rack website to ensure you have the latest issue of these instructions.
2. Please refer to your fitting instruction to ensure that the roof racks are installed in the correct locations.
3. Check the contents of kit before commencing fitment and report any discrepancies.
4. Place these instructions in the vehicle's glove box after installation is complete.
5. These instructions must be followed for warranty to be upheld.

Fit Time: 1 hour



RUMB1 & RUMB2 Backbone Instructions

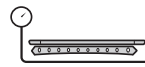
Carrying Capacity

Check the website, the canopy/topper manufacturer's roof load capacity and the vehicle owners hand book for your vehicle's maximum carrying capacity. Always use the lowest value. Load must be evenly distributed over the system.



Cargo Load Limit

Total permissible weight allowed on top, and attached to roof racks whilst the vehicle is in motion.



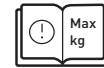
System Weight

Total weight of the roof rack system. (Crossbars, Backbone, Platform)



Max System Load Capacity

Please ensure you use the vehicle manufacturer's maximum roof allowance if it is lower than the figure listed in the fitting chart.



Vehicle Manufacturer's Load Limit

Total permissible weight attached to the roof of the car. This is inclusive of the weight of the roof rack system.

Warning

- Check part number or kit is correct for use with your vehicle.
- Do not attempt to fit the rack system to your vehicle unless you fully understand these fitting instructions. Please direct any questions regarding fitting to the dealer from where the roof racks were purchased.
- Although the system is tested to ISO 11154, off-road conditions can be much more rigorous. Extreme care must be taken on any driven path that does not contain a surface protection layer (tar/bitumen).
- Roof racks must be removed when vehicle is put through an automatic car wash.
- With utility vehicles, the cabin and the canopy move independently. Roof racks and vehicle can be damaged if the item transported is rigidly fixed at points on both the cabin and canopy. Instead, rigidly fix to either the cabin roof racks or the canopy roof racks.
- Always ensure you fasten your load securely.
- Use only non-stretch fastening ropes or straps to attach cargo to your load.

In service maintenance checks

- All bolt connections should be checked after driving a short distance when you first install your roof racks.
- All bolted connections should be checked again at regular intervals (weekly is recommended, depending on road conditions, usage, loads and distances travelled).
- All bolted connections should be checked each time they are re-fitted.
- Off-road conditions are more rigorous. Check all bolted connections and your load more regularly.
- Ensure that your vehicle manufacturer's GVM, and gross axle weights are not exceeded (refer to vehicle owner's manual).

Torque Settings

Unless stated otherwise in these instructions, all fasteners should be set to the following torque settings:

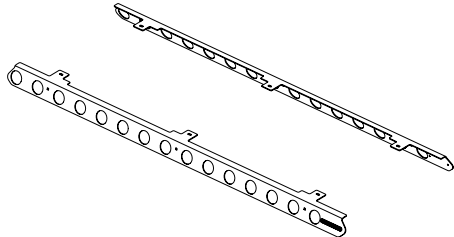
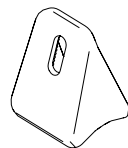
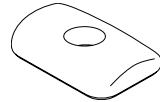
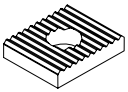
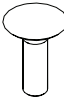
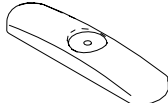
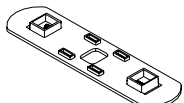


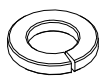
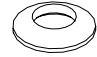
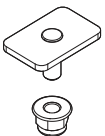
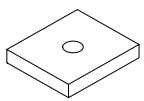
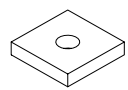

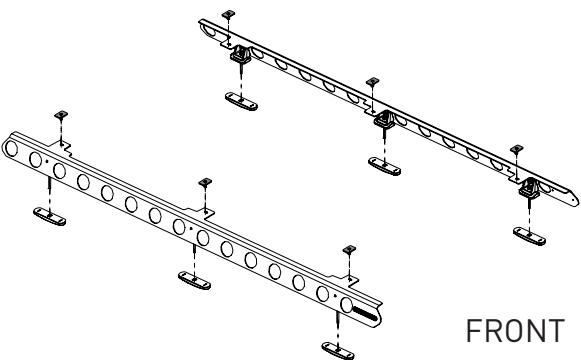
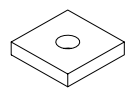

- M6: 4-5Nm (3-4lbs/ft),
- M8: 8-10Nm (6-7.5lbs/ft)
- M10: 16-18Nm (12-13lbs/ft).

Note for Dealers and Fitters

It is your responsibility to ensure these fitting instructions are given to the end user or client. These instructions remain the property of Rhino-Rack Australia Pty. Ltd. and may not be used or changed for any other purpose than intended.

RUMB1 & RUMB2 Backbone Instructions

RUMB1 Parts List

<p>Long Universal Backbone (Pair)</p>  <p>A x1</p>	<p>Cast Foot</p>  <p>B x6</p>	<p>Pad Sub Assembly</p>  <p>C x6</p>	
<p>Retention Washer</p>  <p>F x6</p>	<p>M6 X 25 Carriage Screw</p>  <p>G x6</p>	<p>Internal Pad</p>  <p>D x6</p>	<p>Internal Pad Rubber Skirt</p>  <p>E x6</p>
<p>M6 x 60 Hex Head Bolt</p>  <p>J x6</p>	<p>M6 x 30 Hex Head Bolt</p>  <p>K x6</p>	<p>M6 x 1.00 Flanged Nyloc Nut</p>  <p>H x6</p>	<p>M6 x 80 Hex Head Bolt</p>  <p>I x6</p>
<p>Pioneer M8 T-Bolt & Nut</p>  <p>N x6</p>	<p>M6 Plate Nut (24x21x4) For Rhino Rack Tracks</p>  <p>O x6</p>	<p>M6 Spring Washer</p>  <p>L x6</p>	<p>M6 Male Half Spherical Washer</p>  <p>M x6</p>
<p>Use above quantities for installation steps</p>  <p>FRONT</p>	<p>M6 Plate Nut (20x20x3.5) For Thule Tracks</p>  <p>P x6</p>	<p>Instruction</p>  <p>Q x1</p>	

Notes

- Canopy/Topper roof install on Page 5
- Canopy/Topper track install on Page 15
- Use safety gear when drilling through canopy

Tools Required

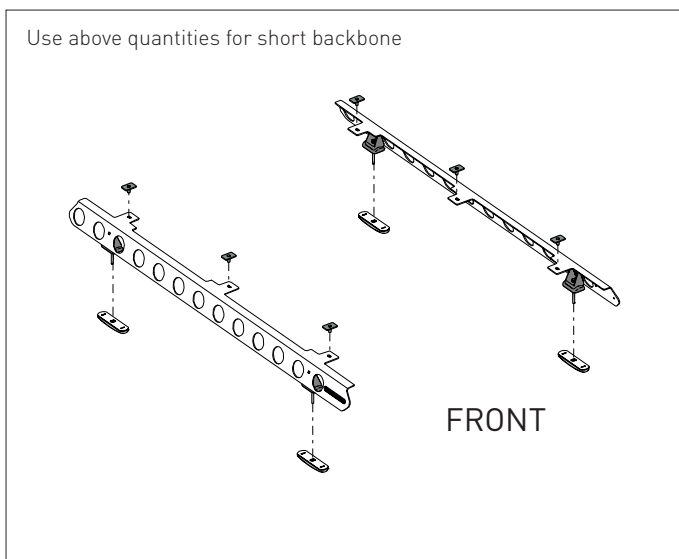
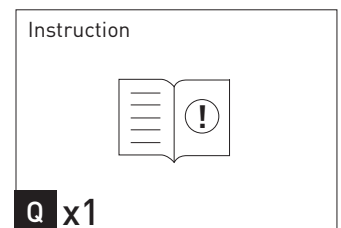
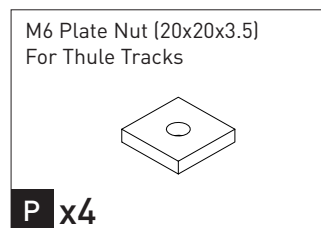
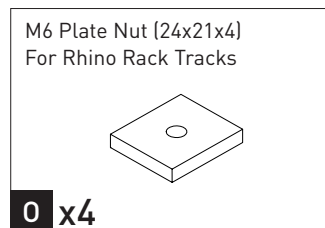
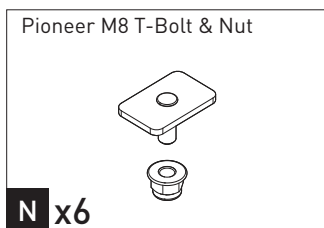
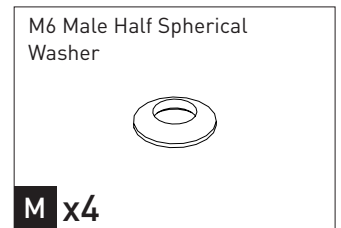
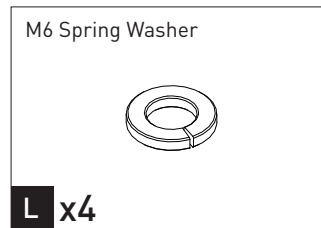
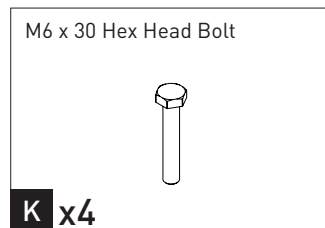
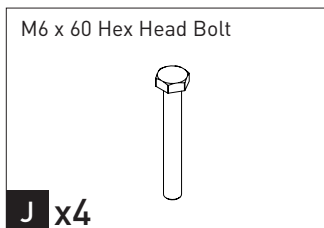
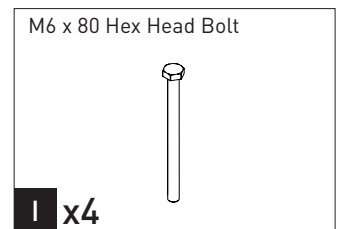
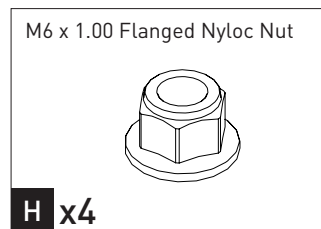
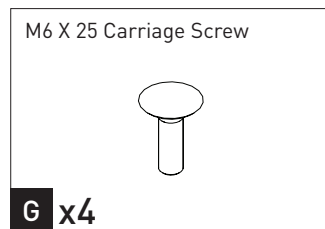
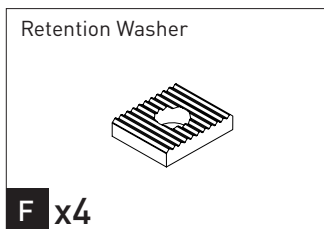
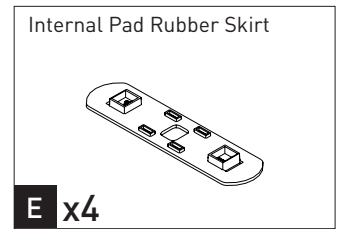
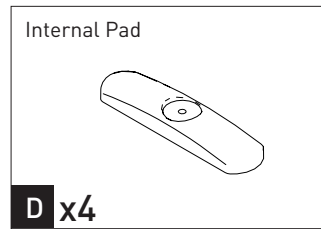
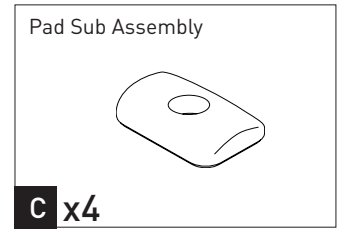
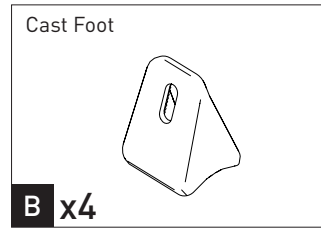
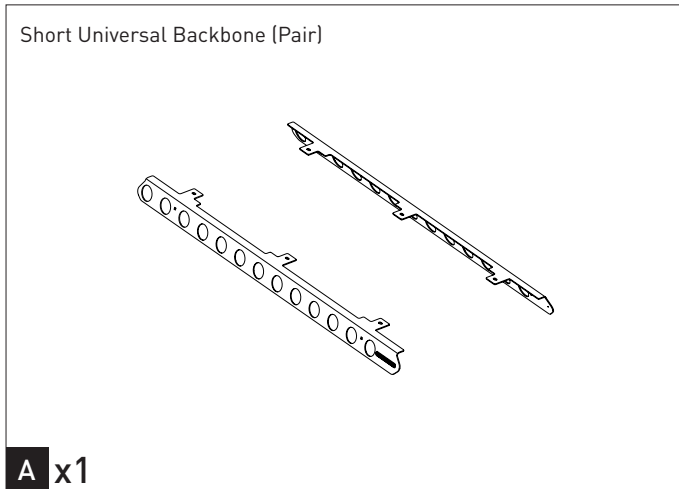
- T1 - Masking Tape
- T2 - Marker
- T3 - Tape Measure
- T4 - 6mm, 1/4" drill bit
- T5 - Drill
- T6 - Spirit Level
- T7 - 10mm wrench
- T8 - 13mm wrench
- T9 - String Line (approx 3m to suit canopy length)
- T10 - Vacuum

Safety Gear



RUMB1 & RUMB2 Backbone Instructions

RUMB2 Parts List



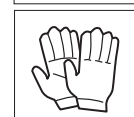
Notes

- Canopy/Topper roof install on Page 5
- Canopy/Topper track install on Page 15
- Use safety gear when drilling through canopy

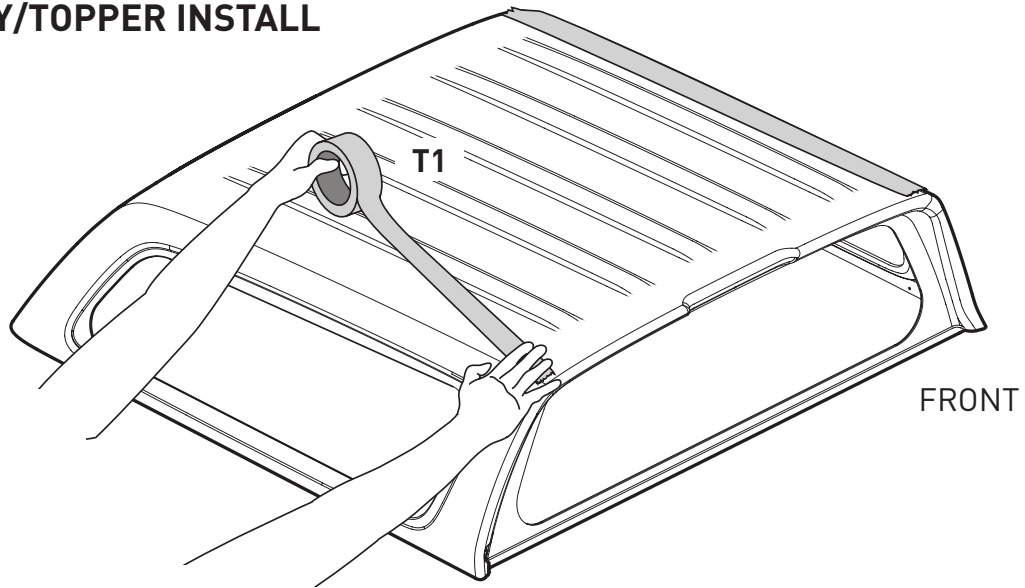
Tools Required

- T1 - Masking Tape
- T2 - Marker
- T3 - Tape Measure
- T4 - 6mm, 1/4" drill bit
- T5 - Drill
- T6 - Spirit Level
- T7 - 10mm wrench
- T8 - 13mm wrench
- T9 - String Line (approx 3m to suit canopy length)
- T10 - Vacuum

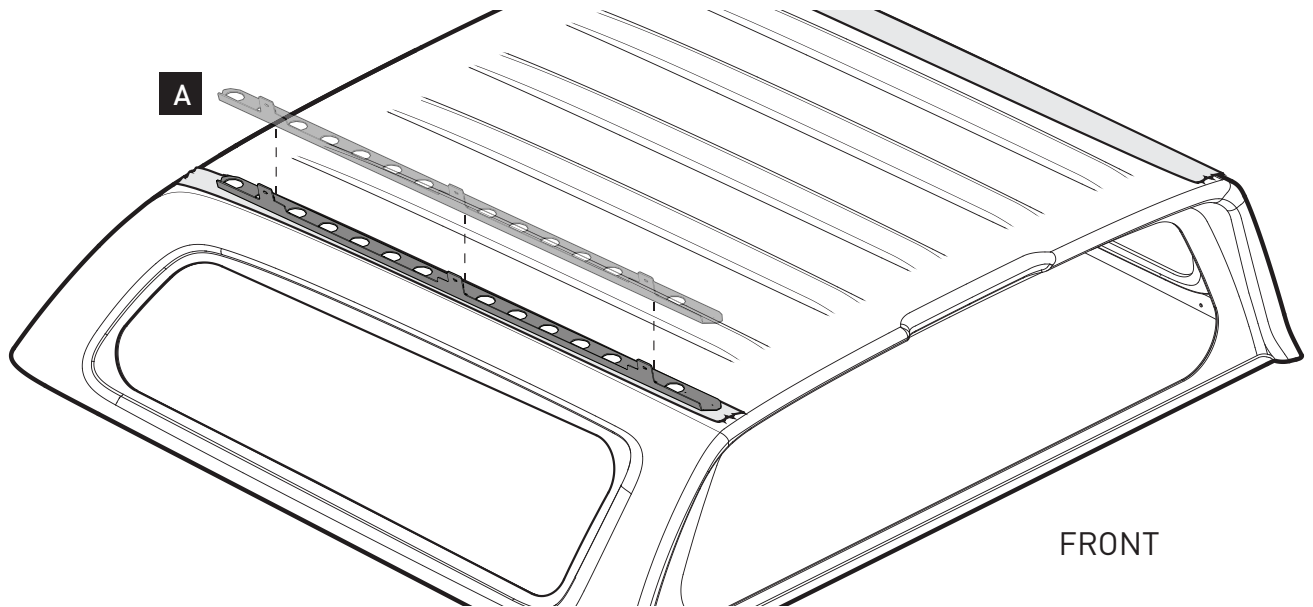
Safety Gear



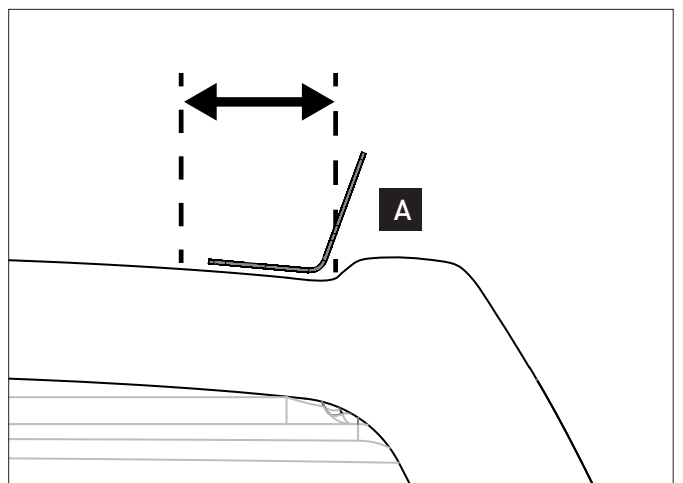
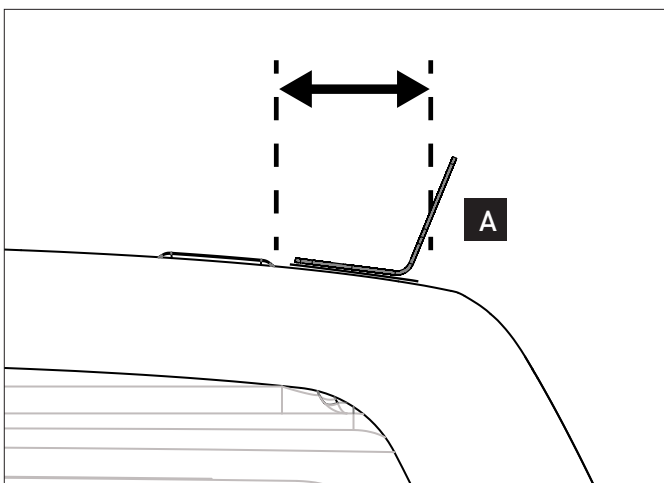
1 CANOPY/TOPPER INSTALL



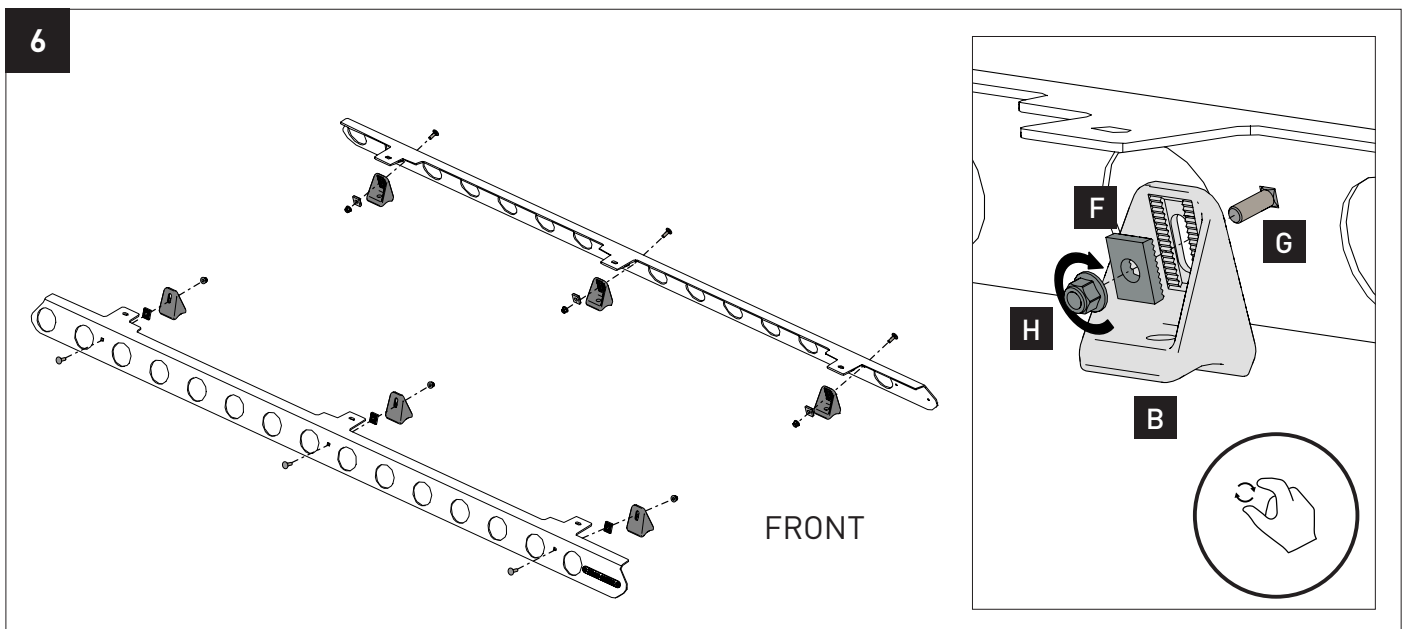
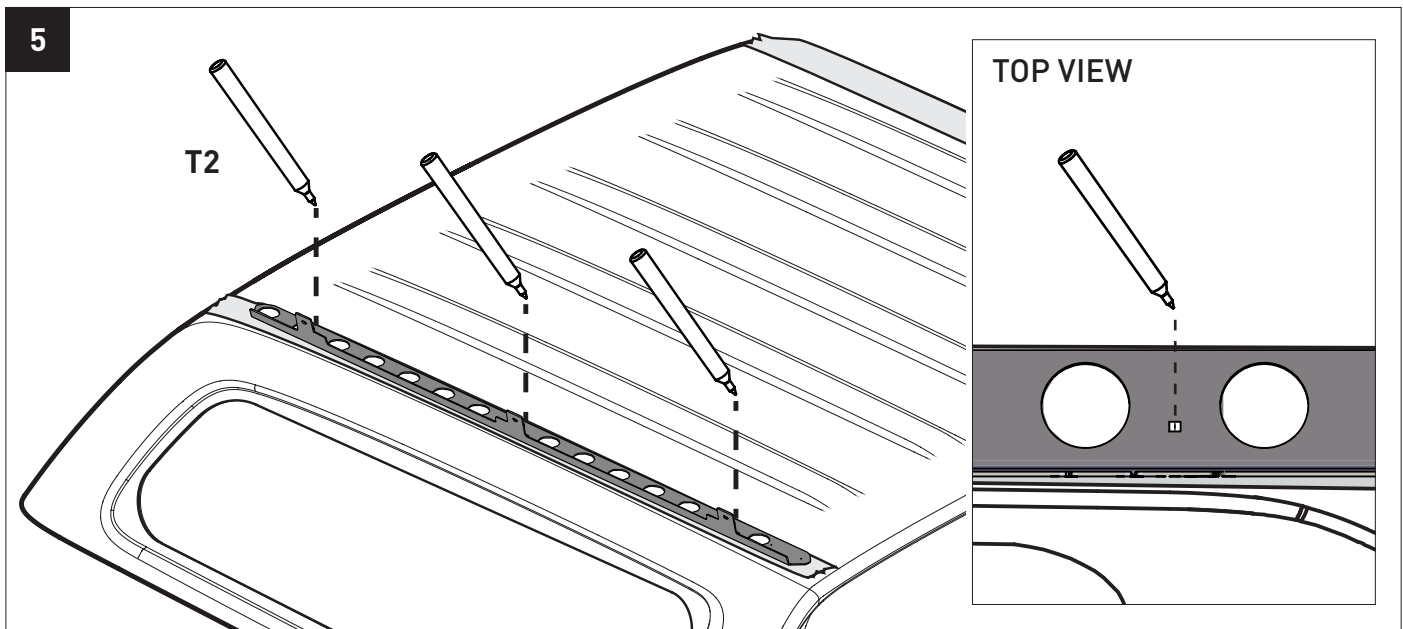
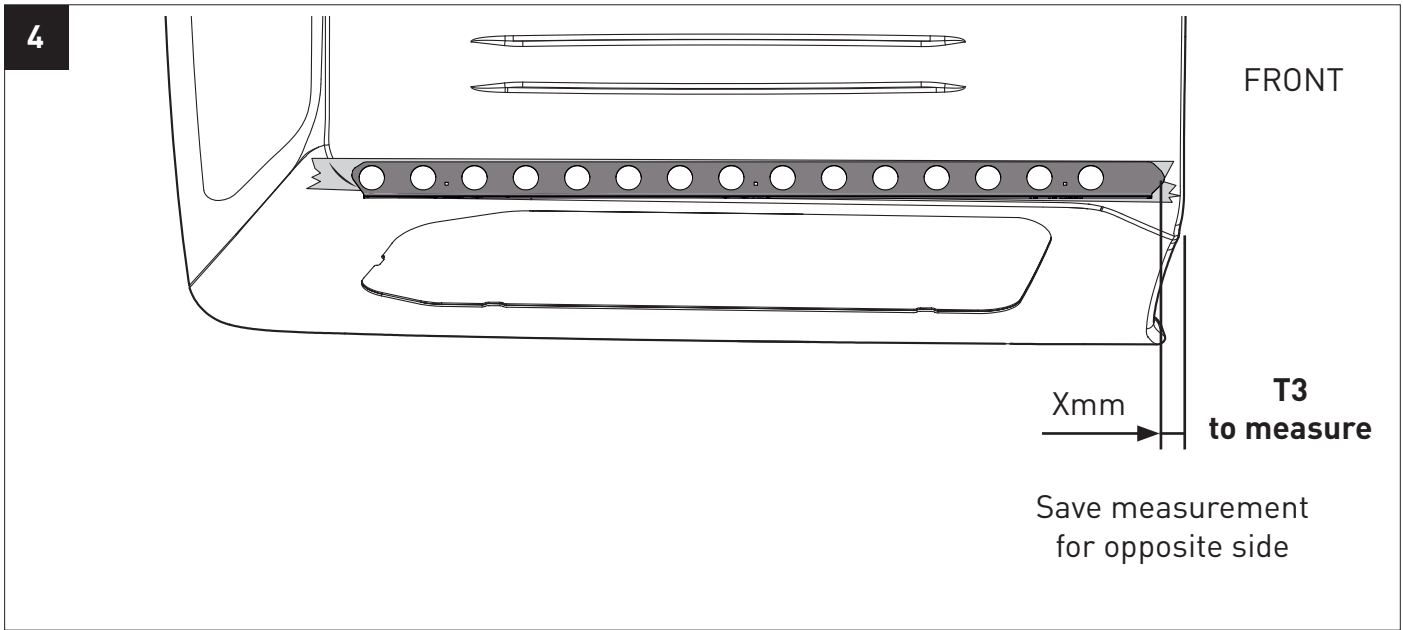
2



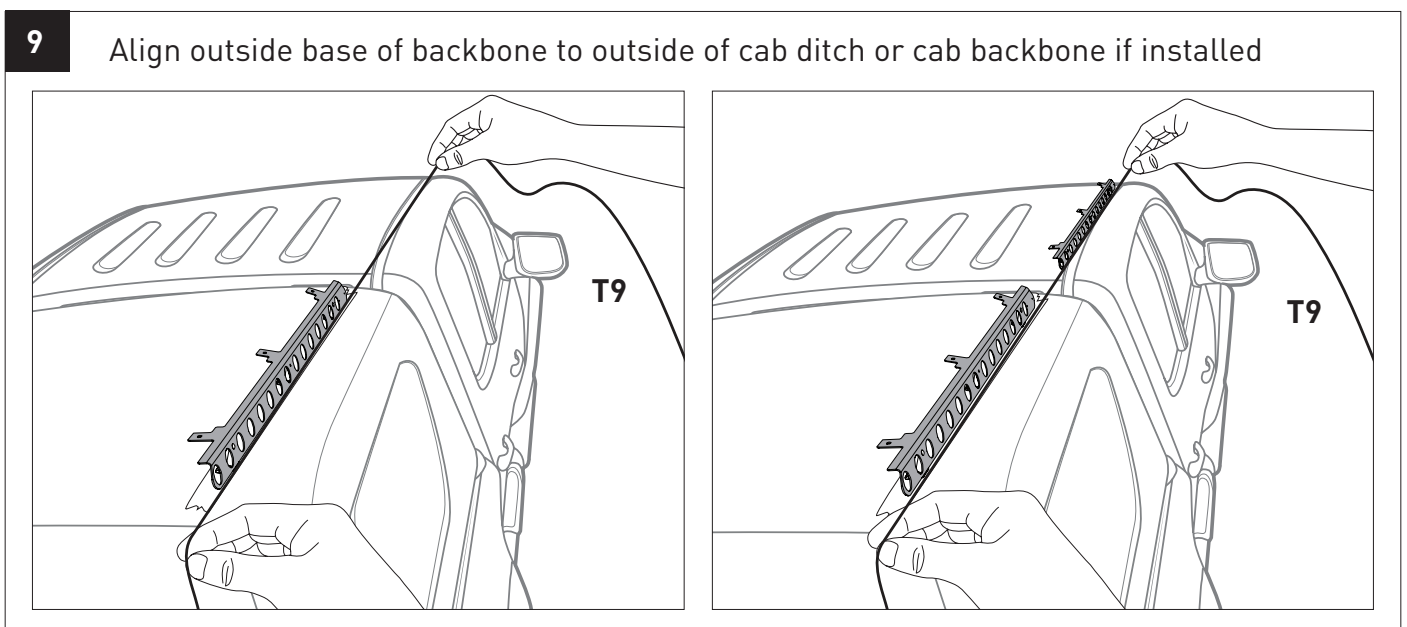
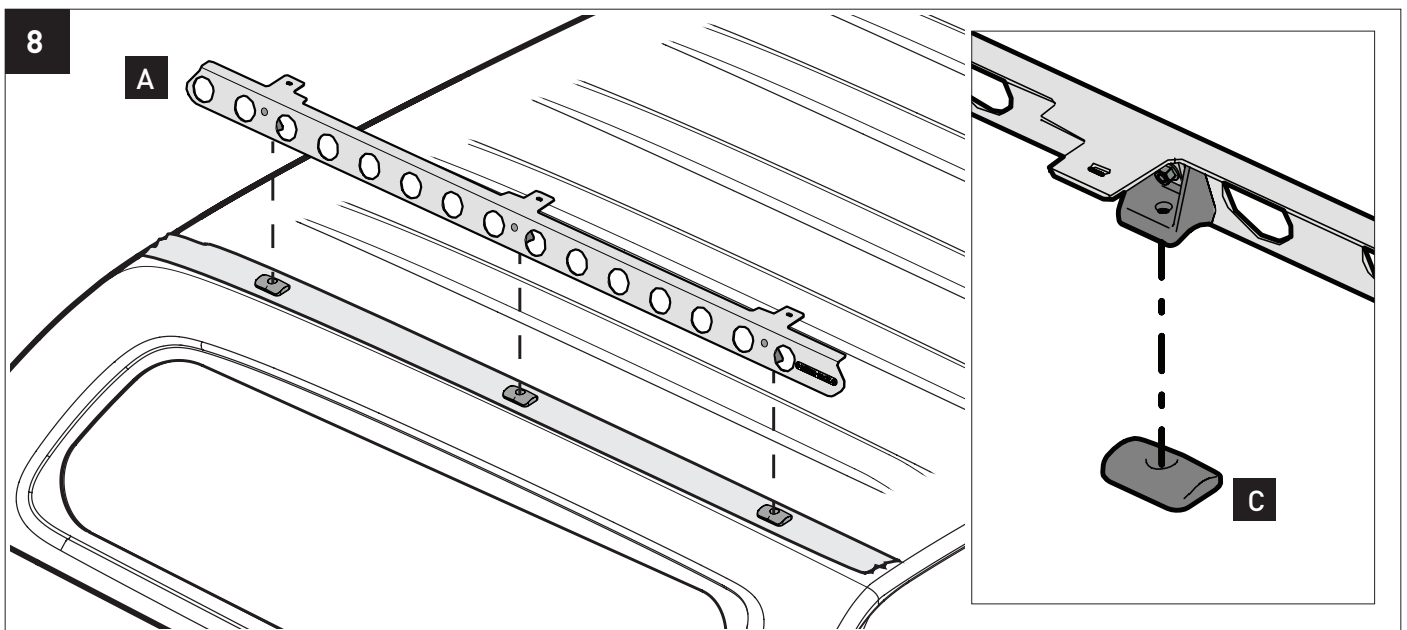
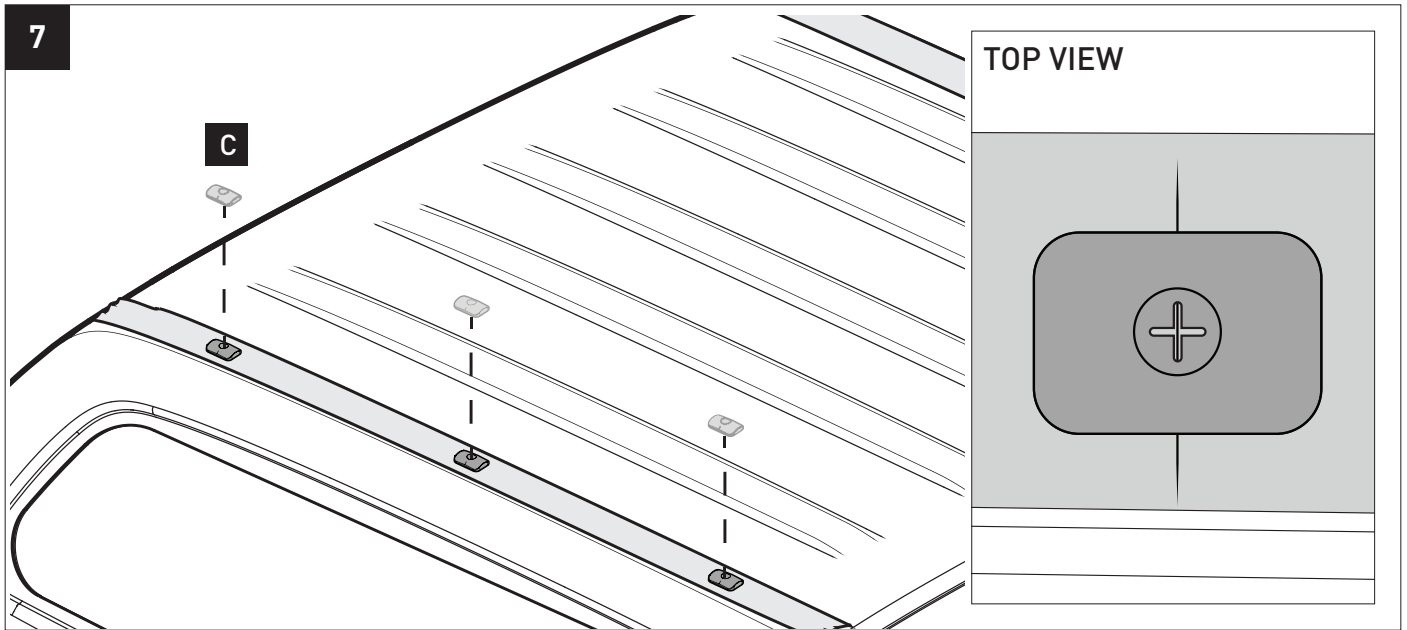
3 Align to a flat area near the edge or next to a reinforcing 'rib' near the edge (strongest area of roof)



RUMB1 & RUMB2 Backbone Instructions

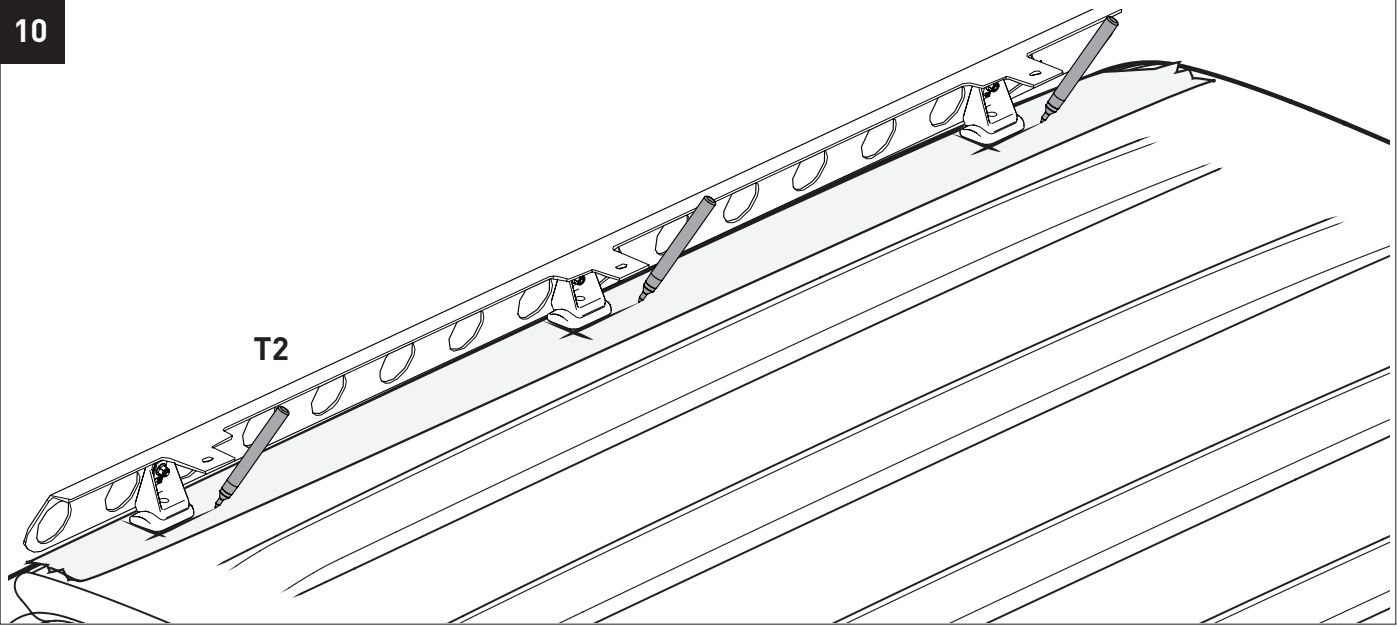


RUMB1 & RUMB2 Backbone Instructions

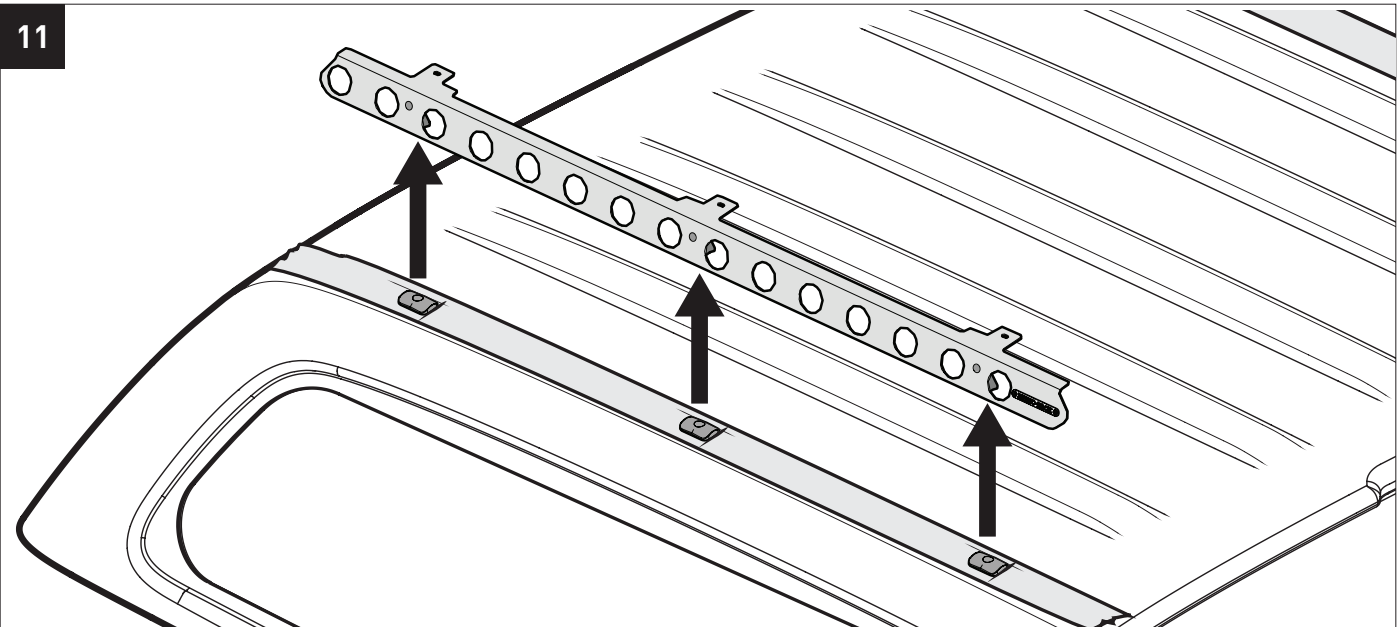


RUMB1 & RUMB2 Backbone Instructions

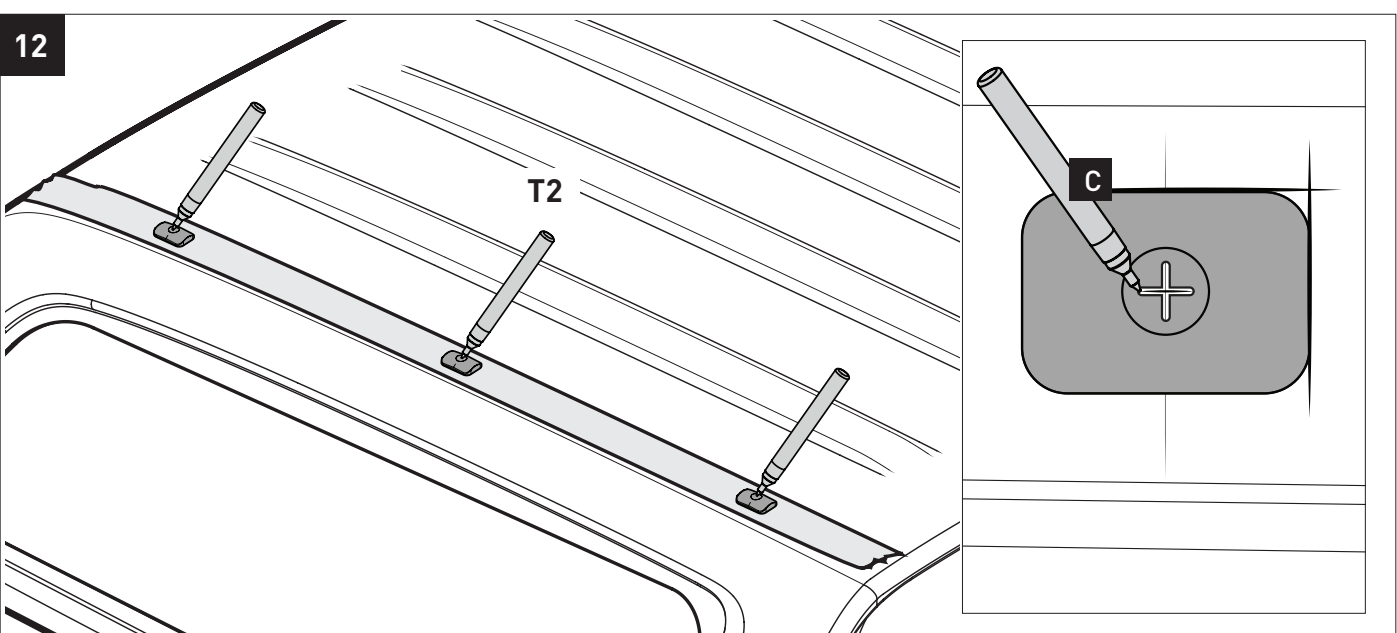
10



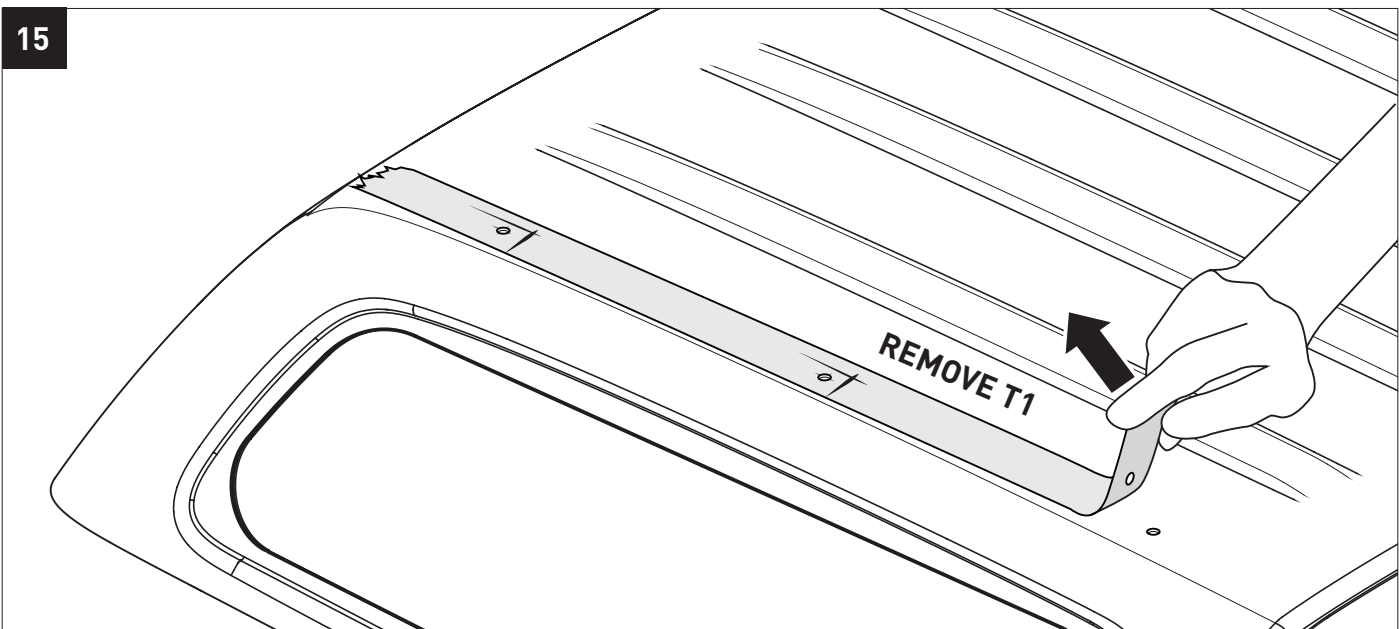
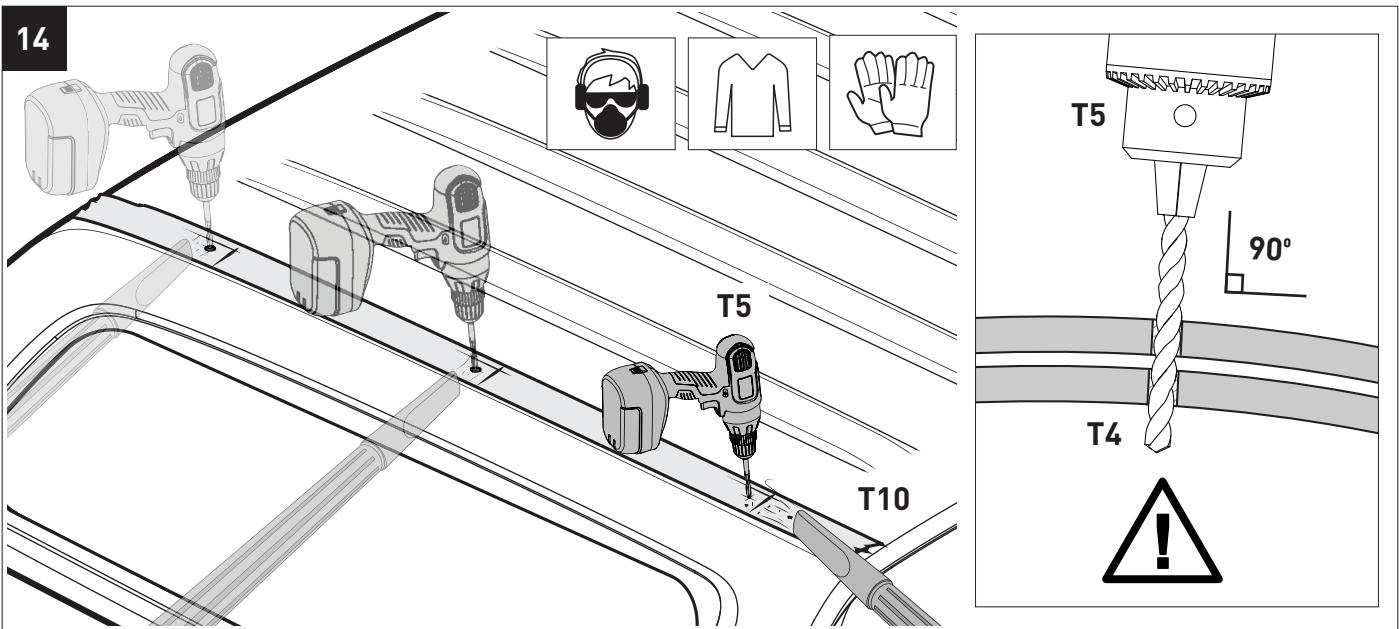
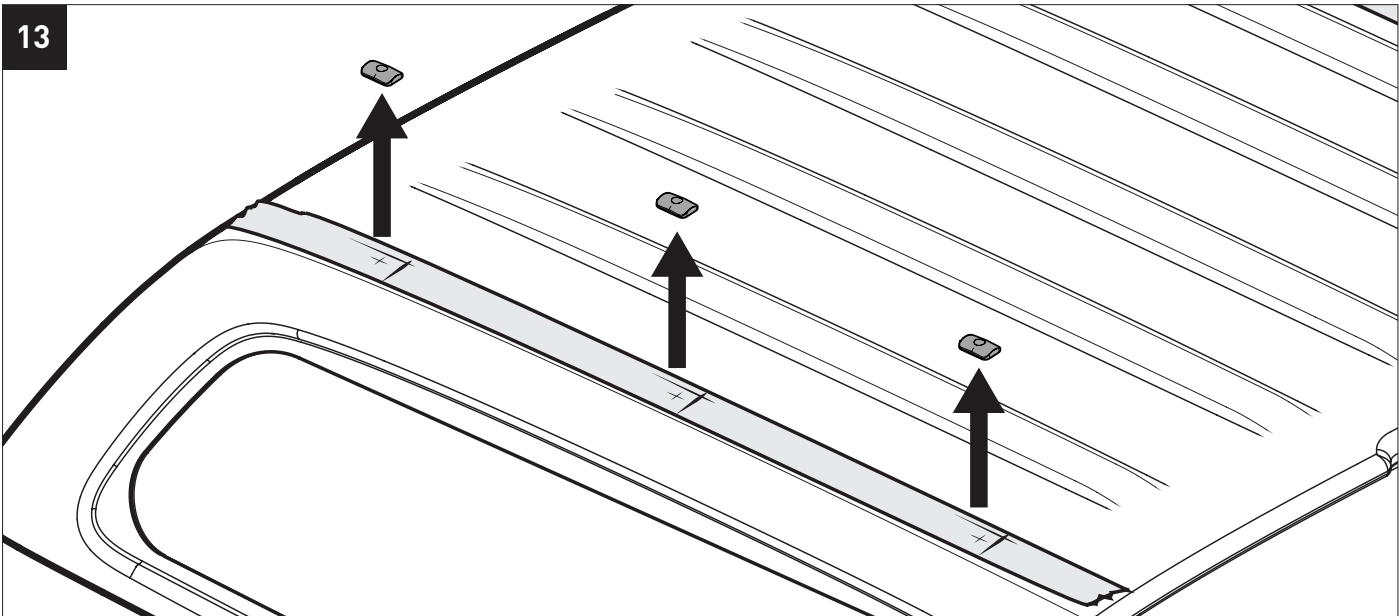
11



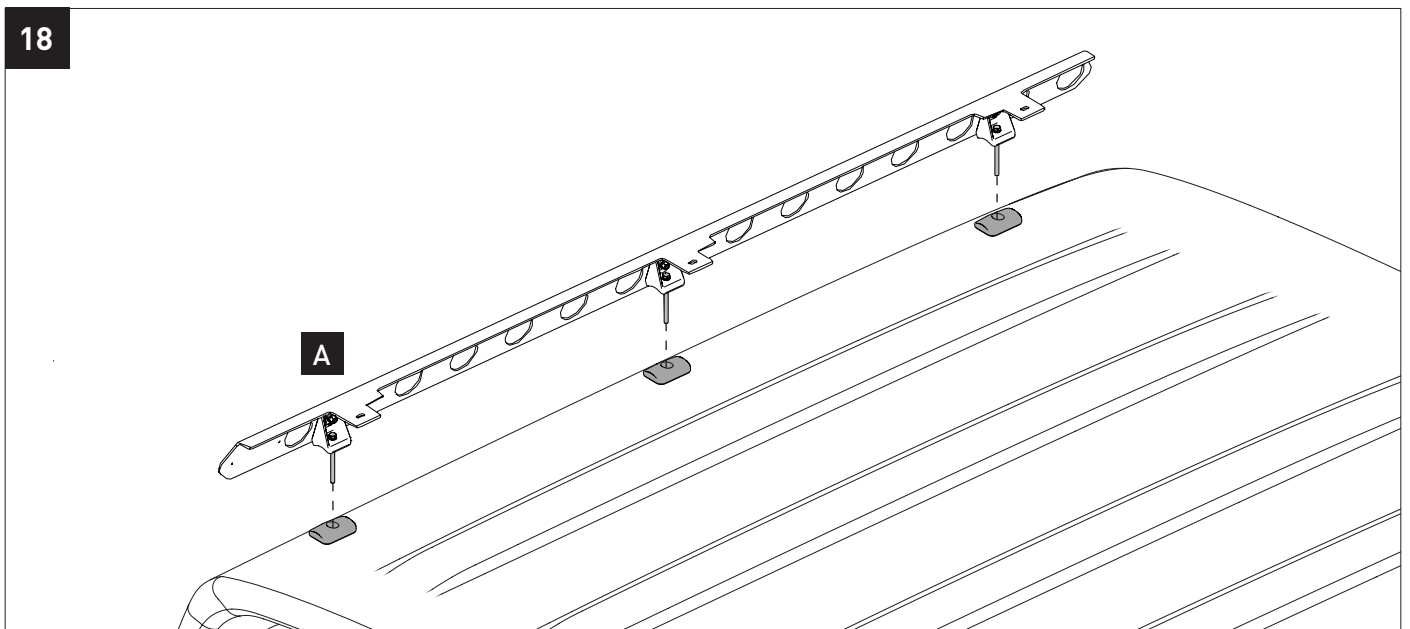
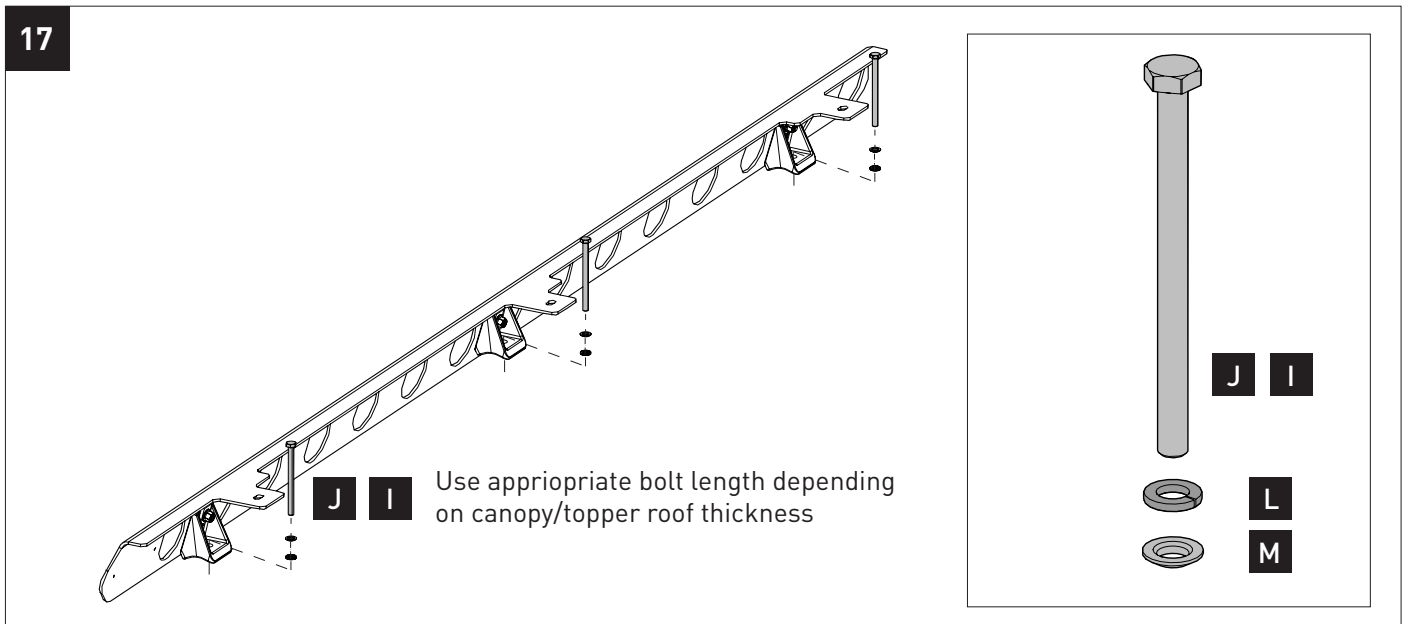
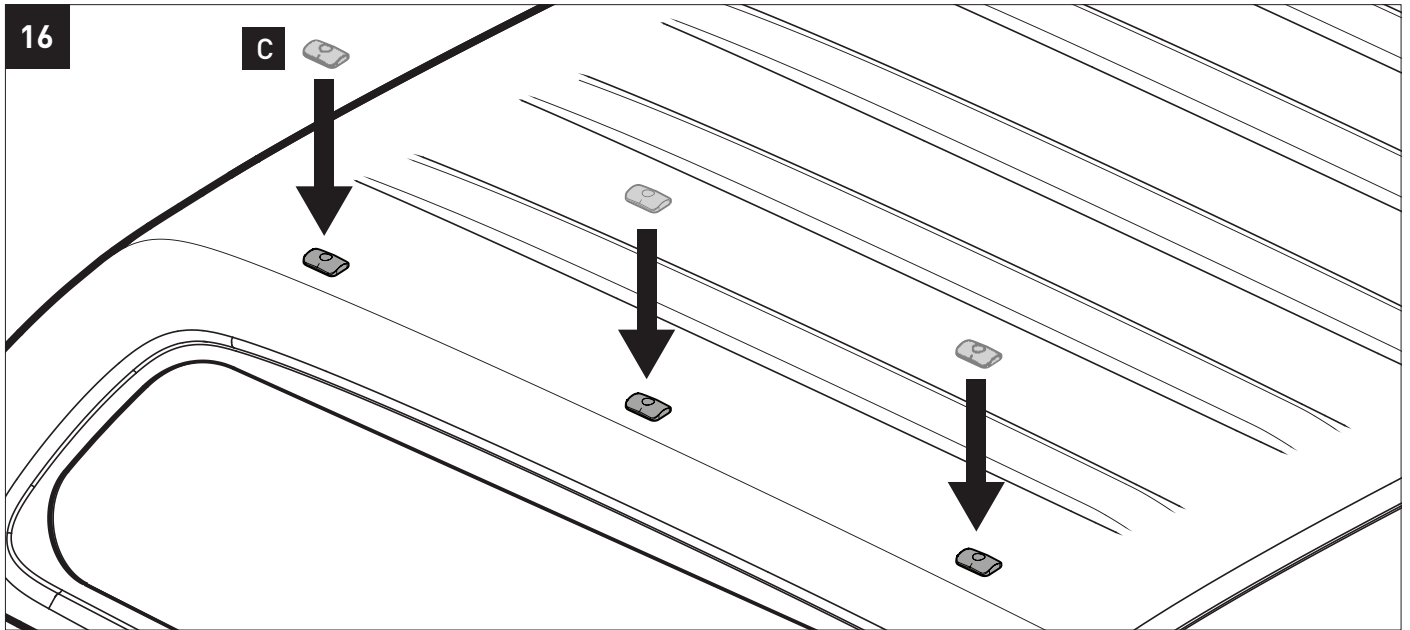
12



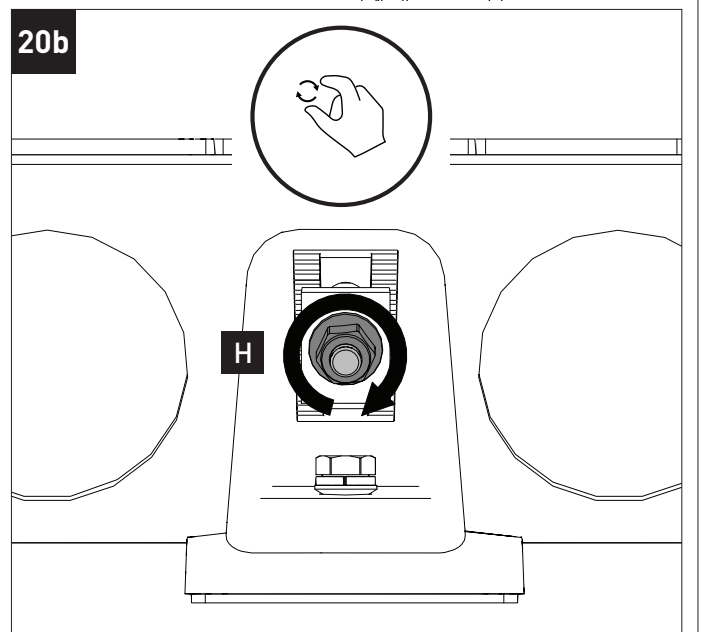
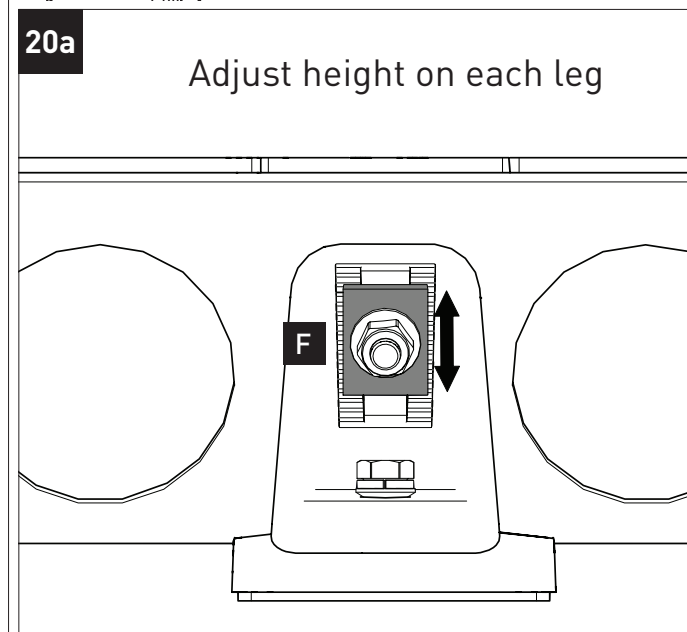
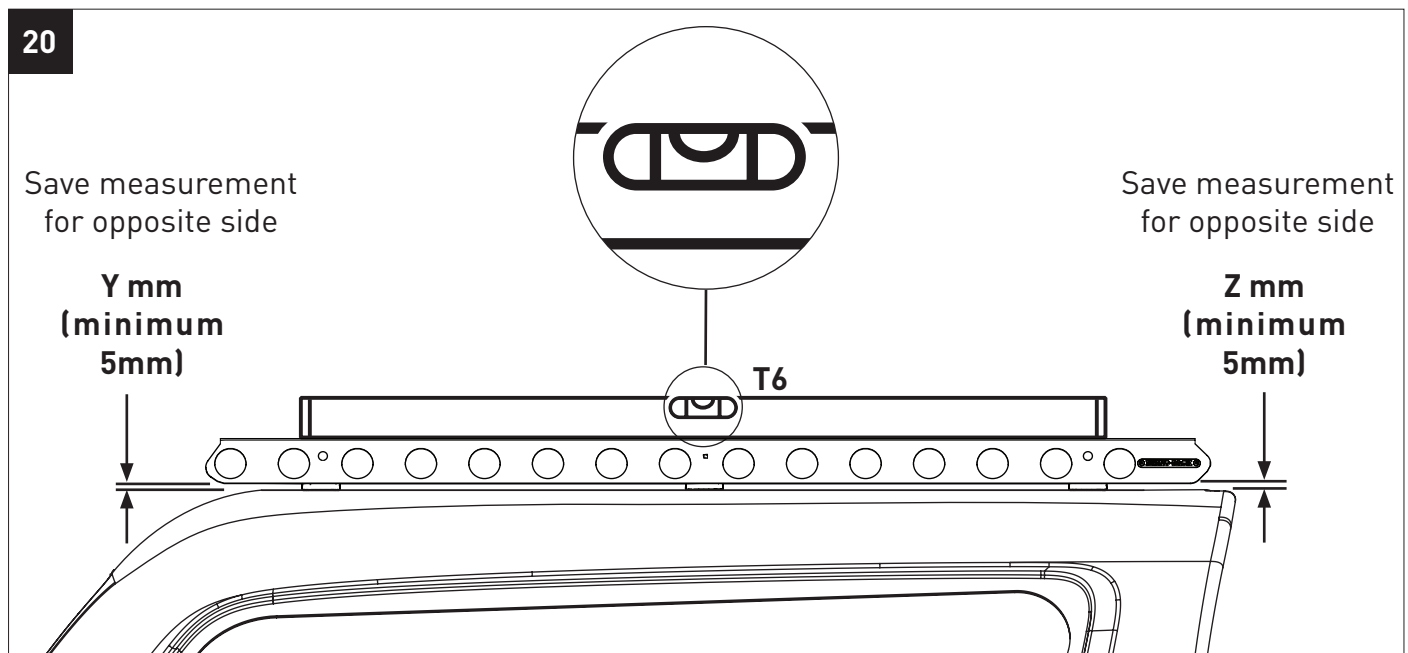
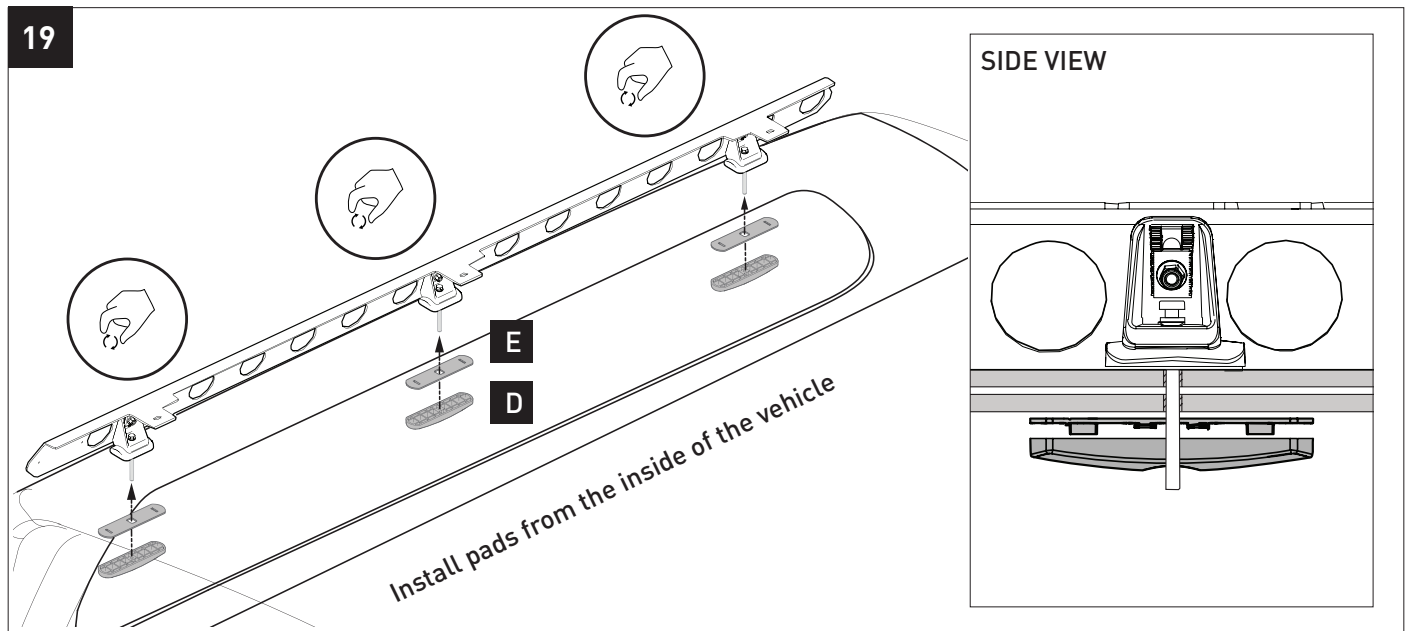
RUMB1 & RUMB2 Backbone Instructions



RUMB1 & RUMB2 Backbone Instructions

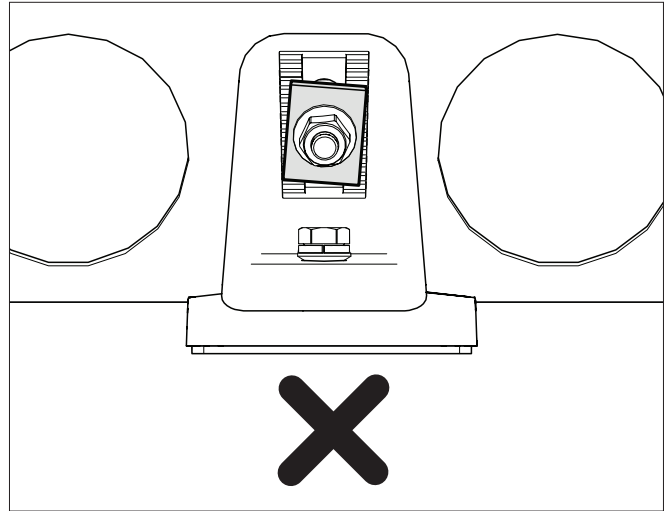
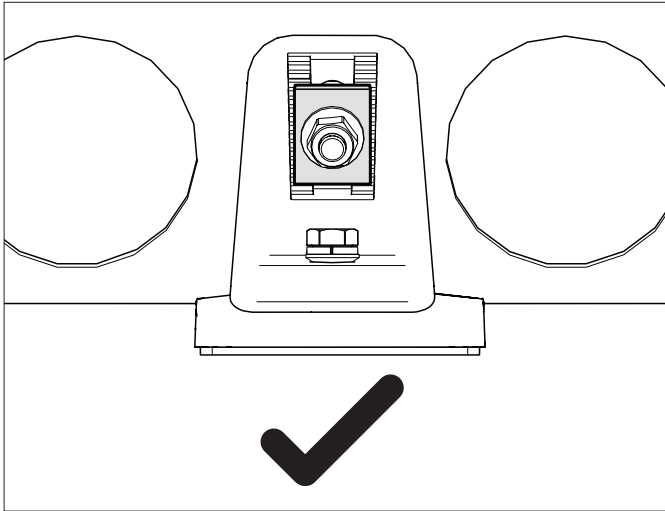


RUMB1 & RUMB2 Backbone Instructions

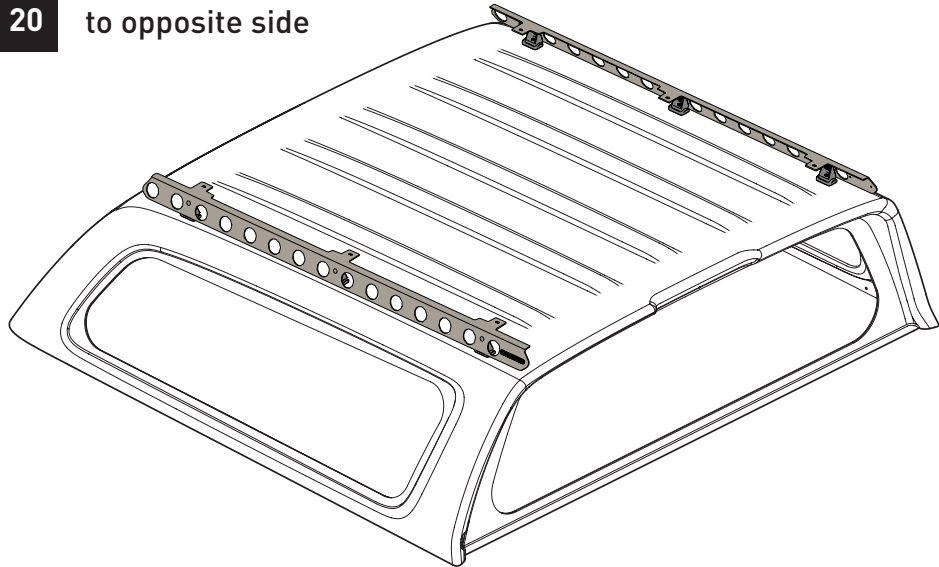


RUMB1 & RUMB2 Backbone Instructions

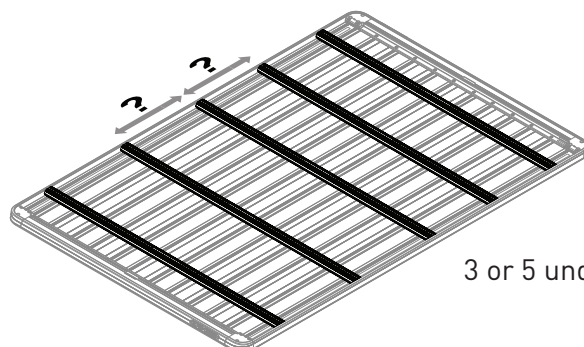
20c



21 Repeat 2 - 20 to opposite side



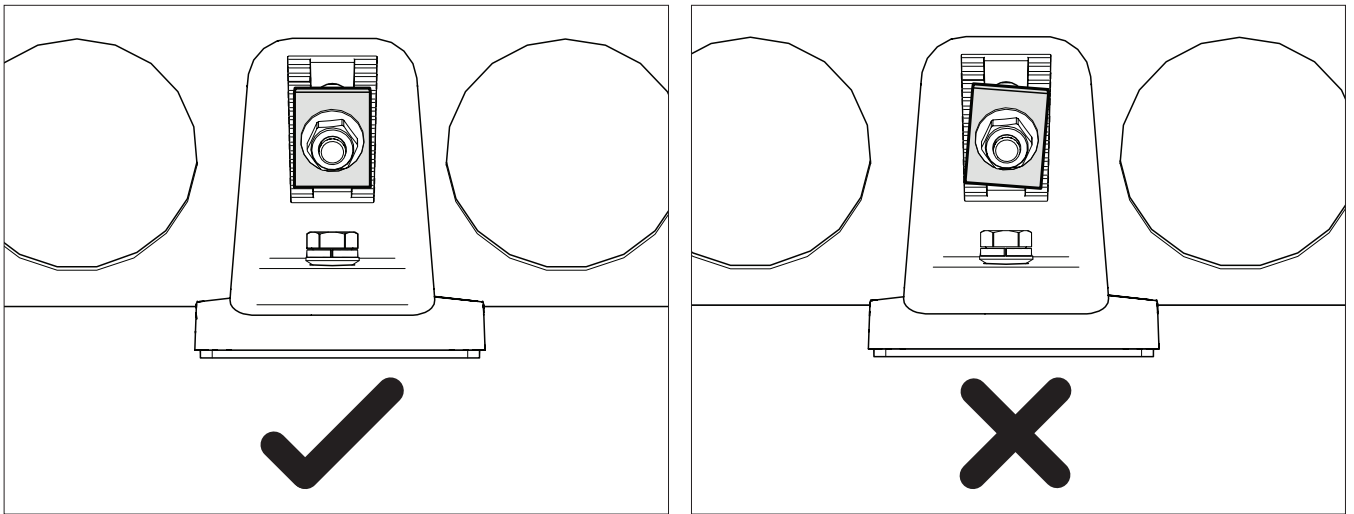
22



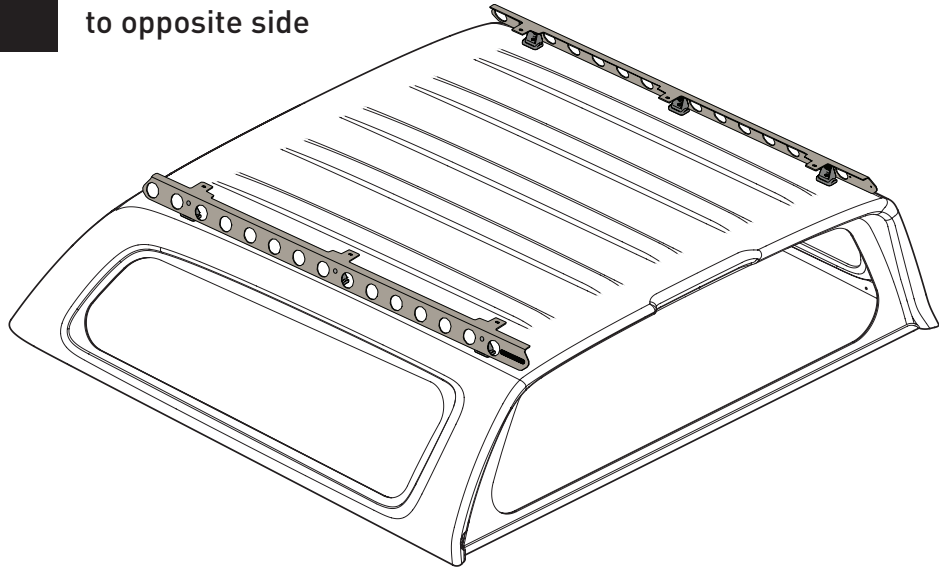
3 or 5 underbars

RUMB1 & RUMB2 Backbone Instructions

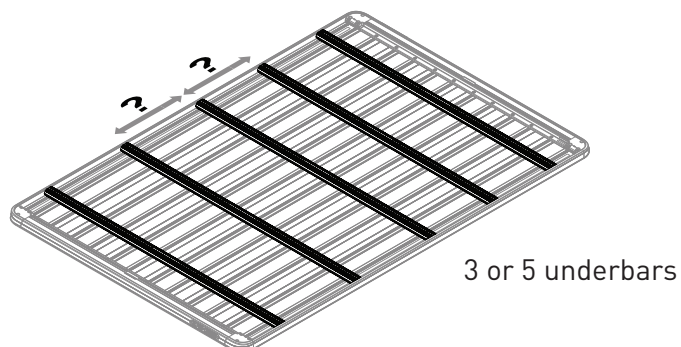
20c



21 Repeat  -  to opposite side

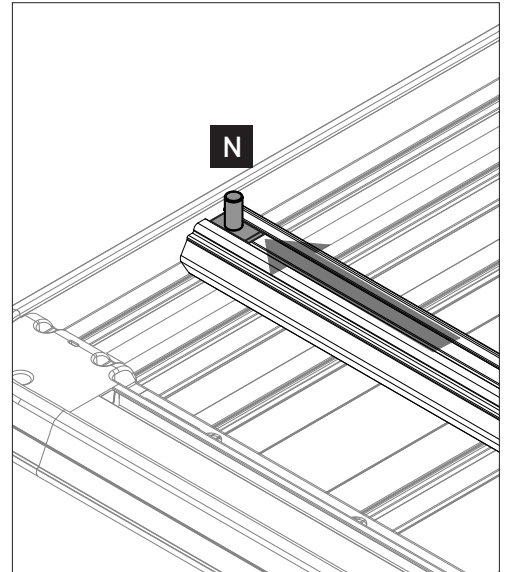
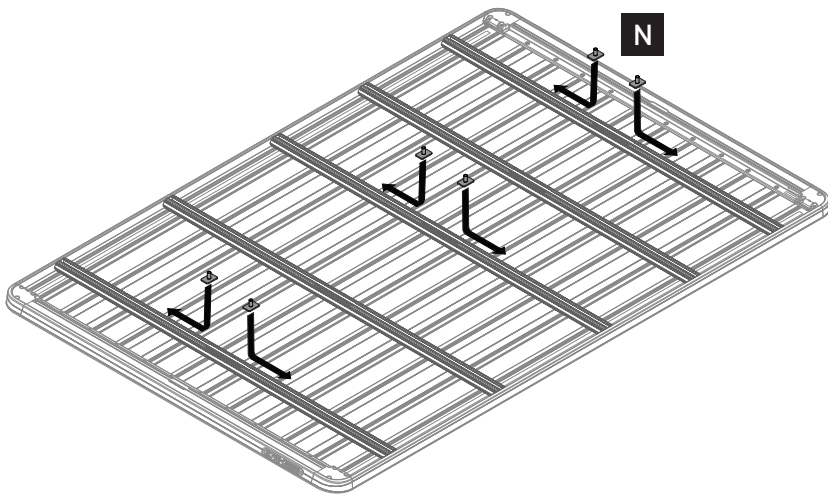


22



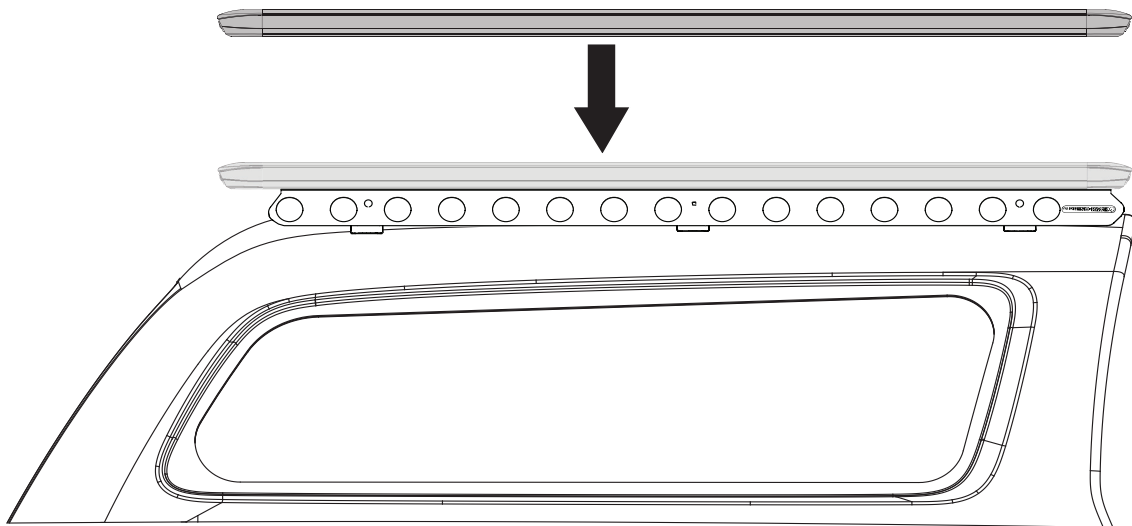
RUMB1 & RUMB2 Backbone Instructions

23

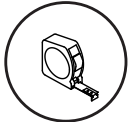


24

Refer **NOTES** on Page 19

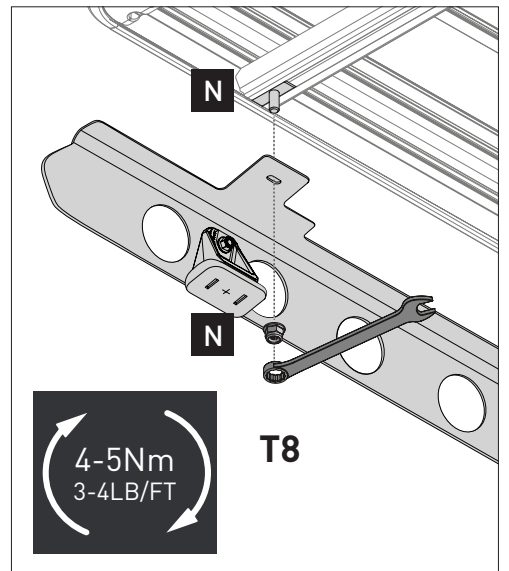
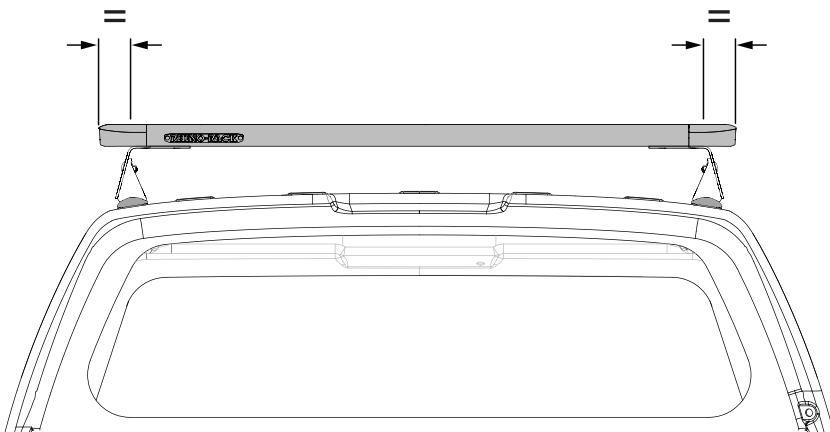
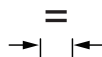
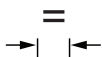
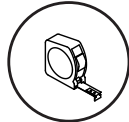


T3



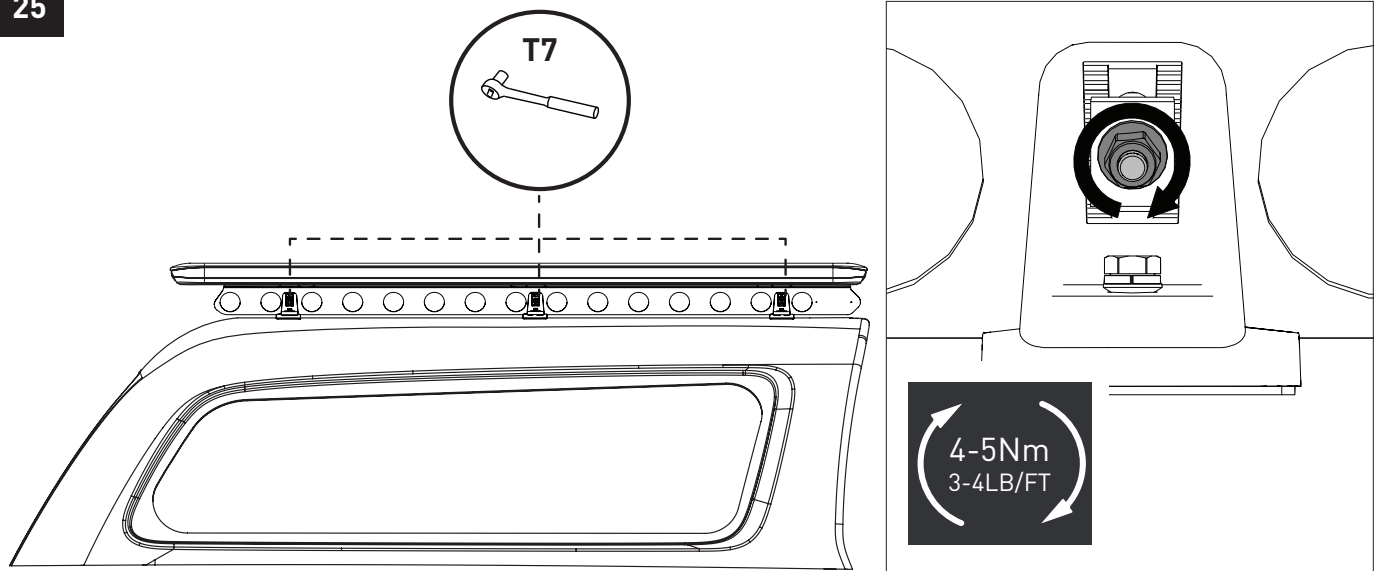
Centre tray on canopy

T3

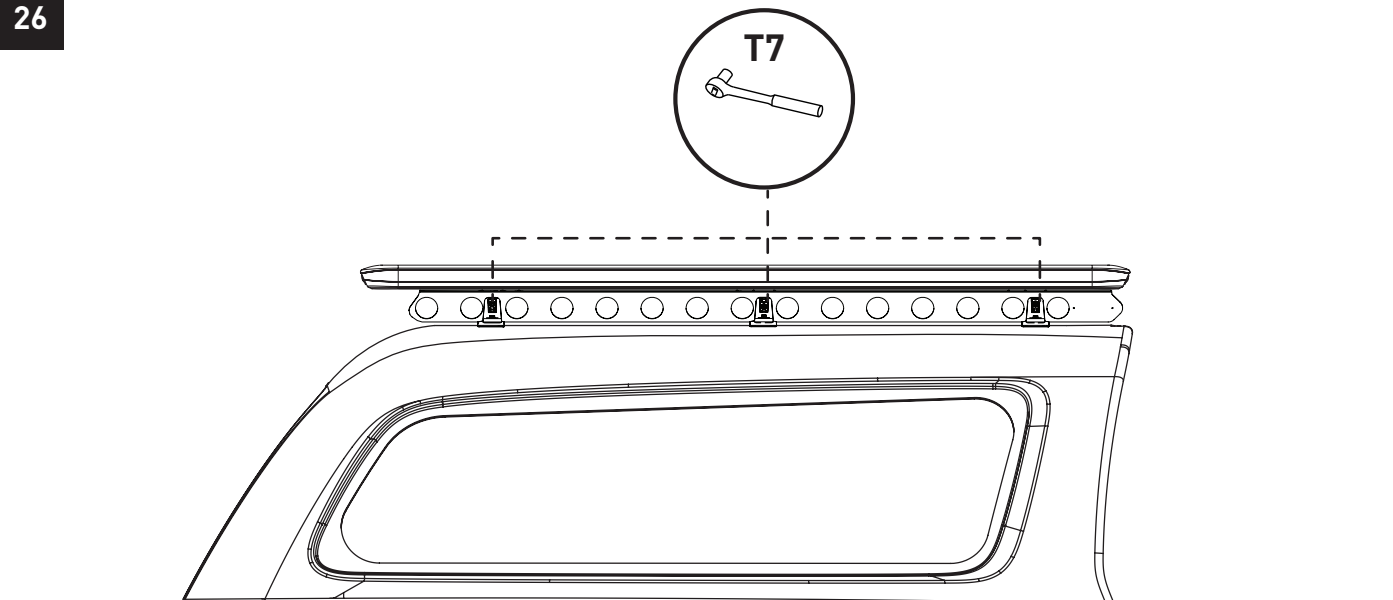


RUMB1 & RUMB2 Backbone Instructions

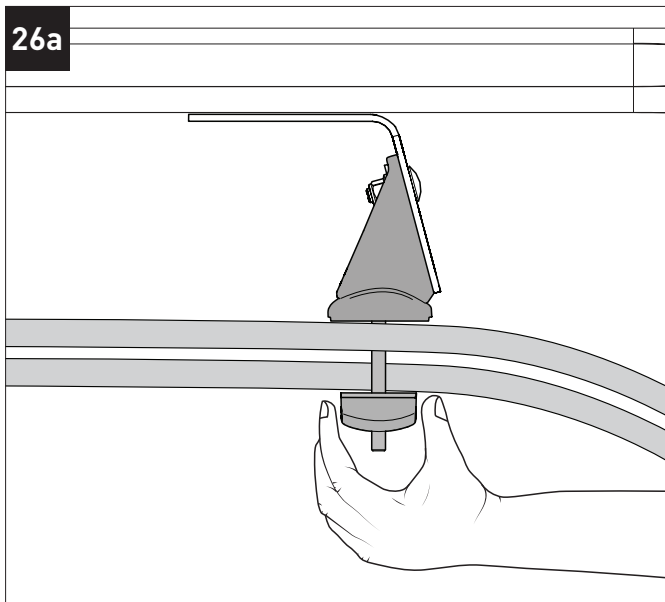
25



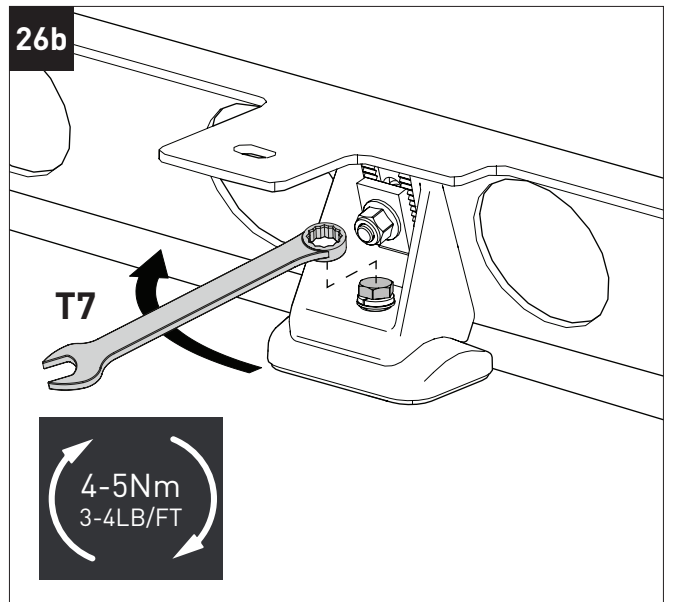
26



26a

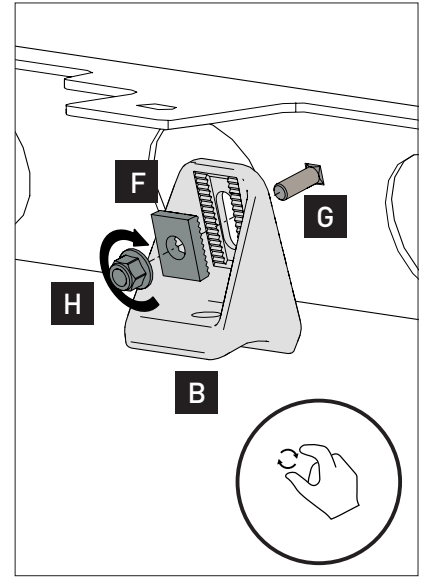
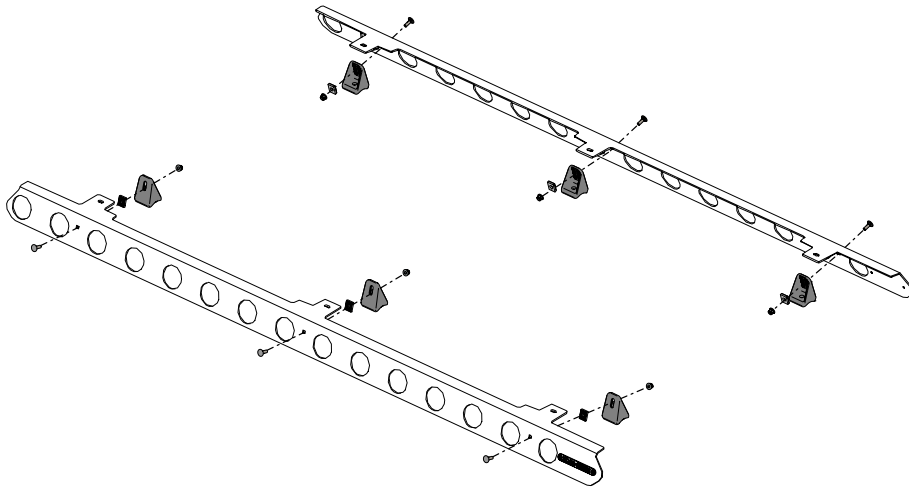


26b

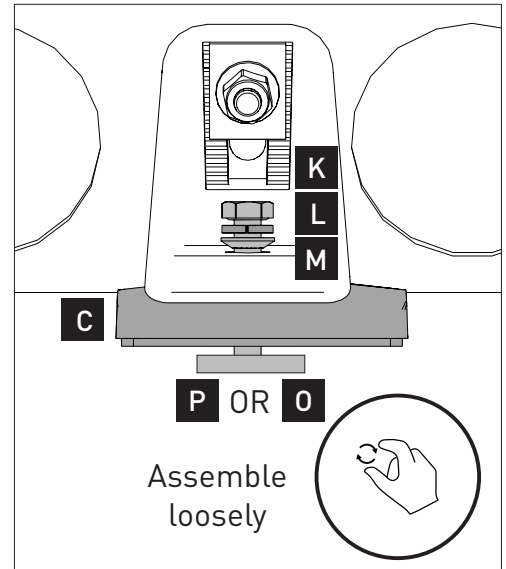
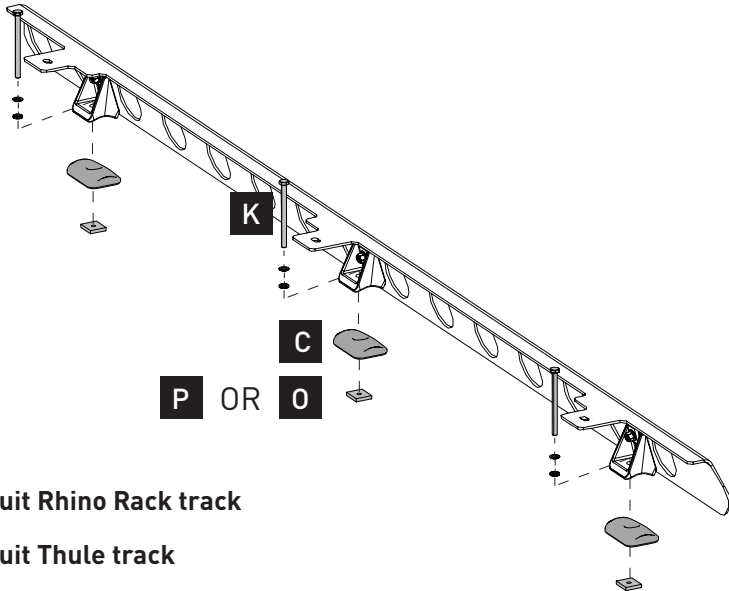


RUMB1 & RUMB2 Backbone Instructions

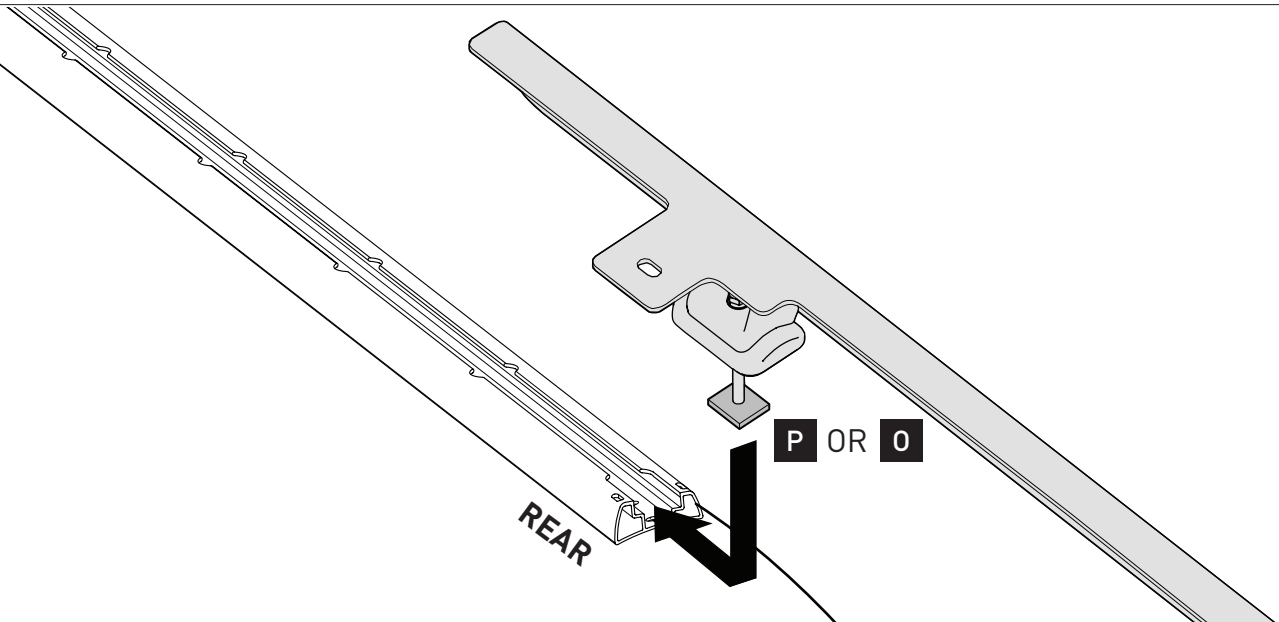
1 TRACK INSTALL



2

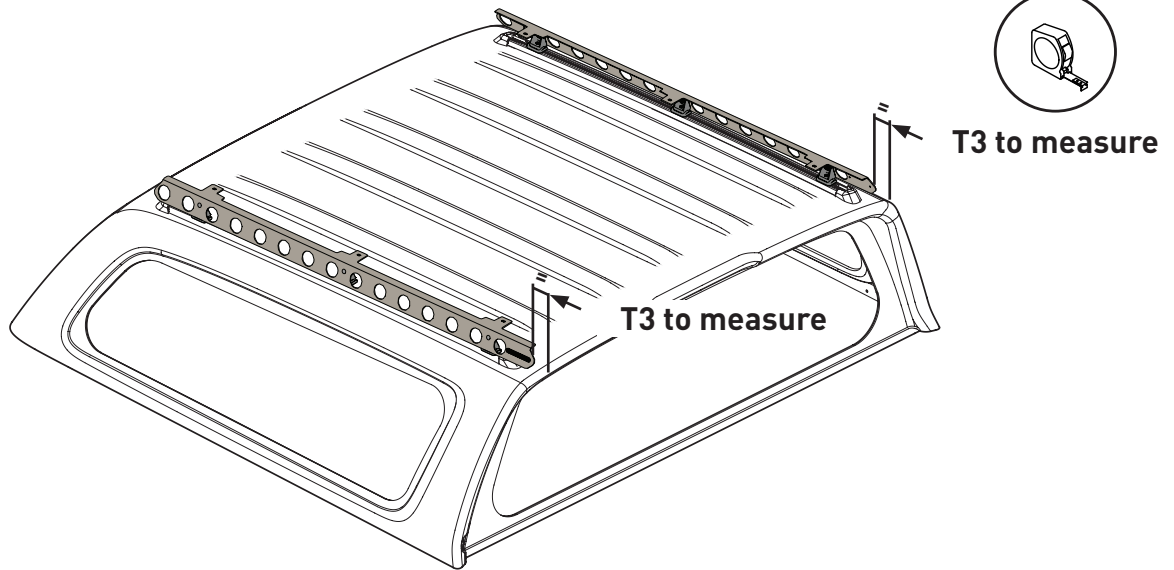


3

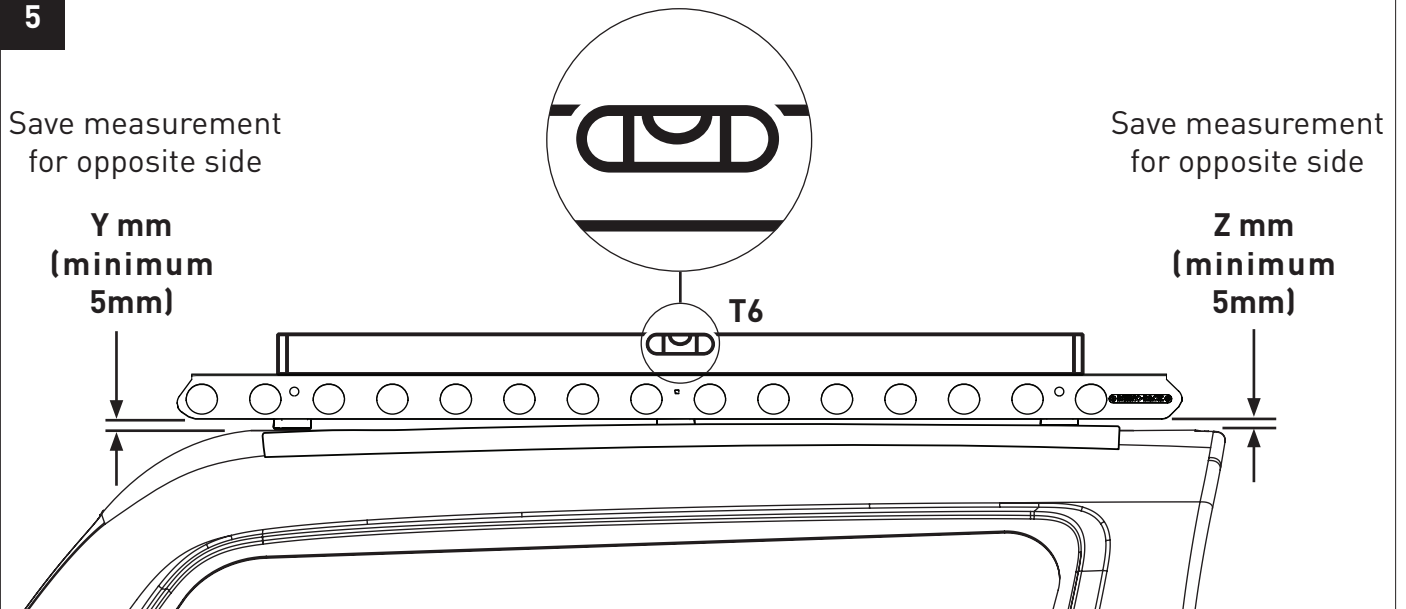


RUMB1 & RUMB2 Backbone Instructions

4

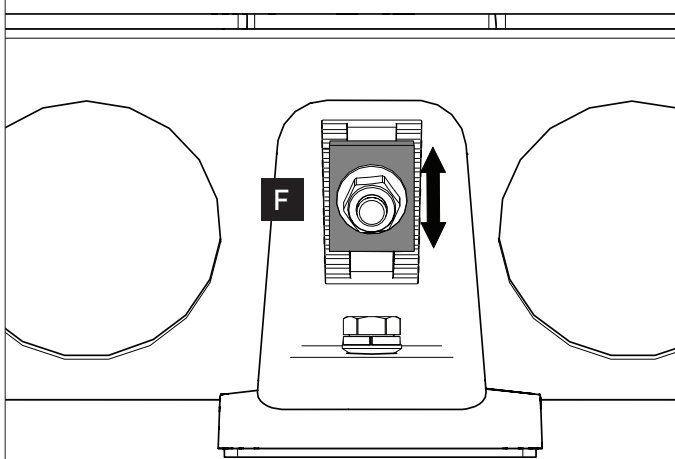


5

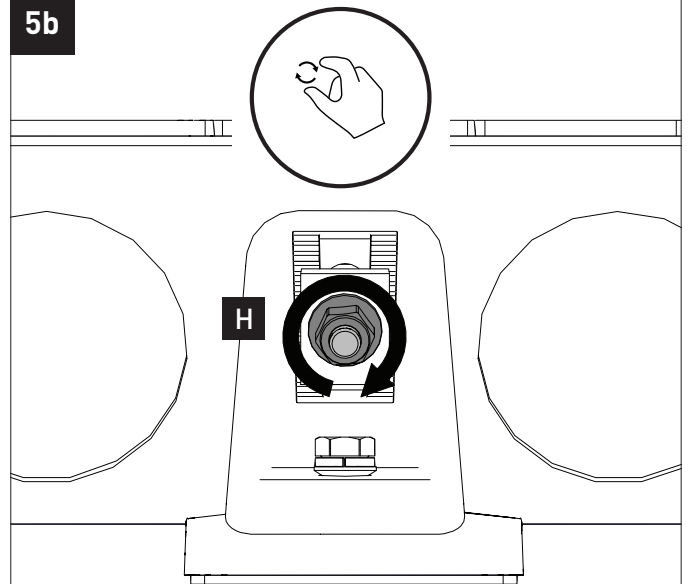


5a

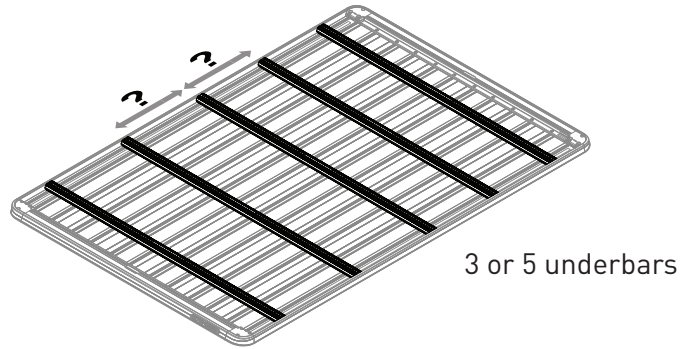
Adjust height on each leg



5b

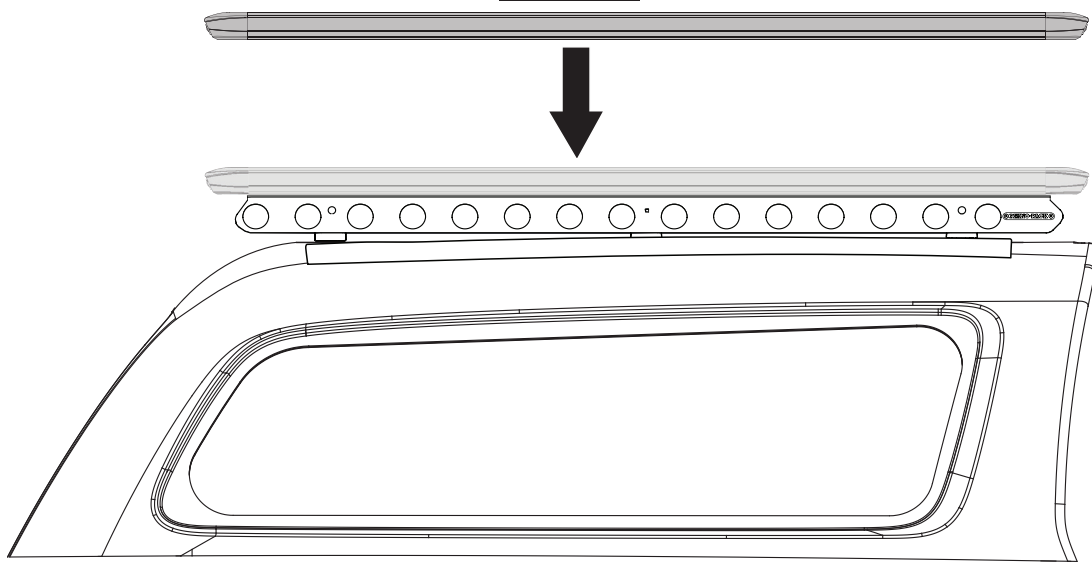


6

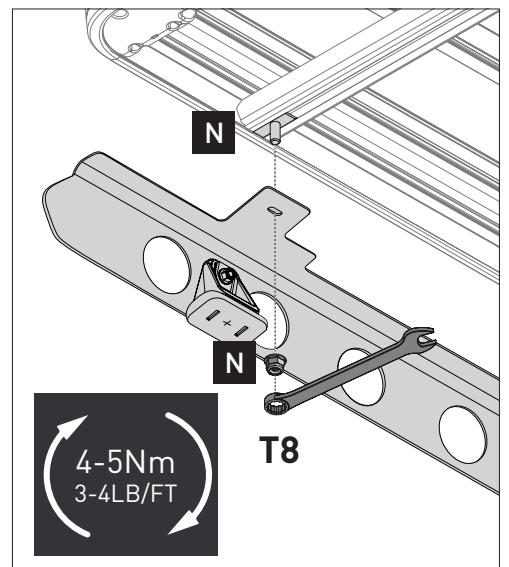
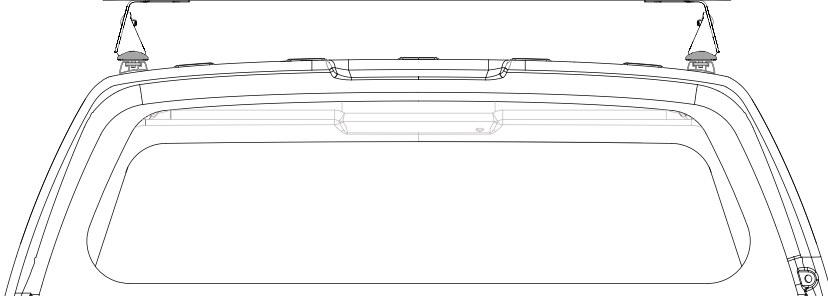
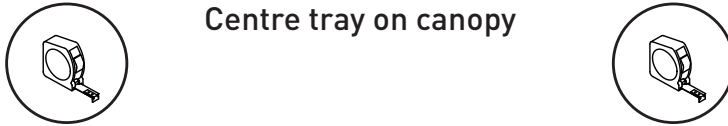


7

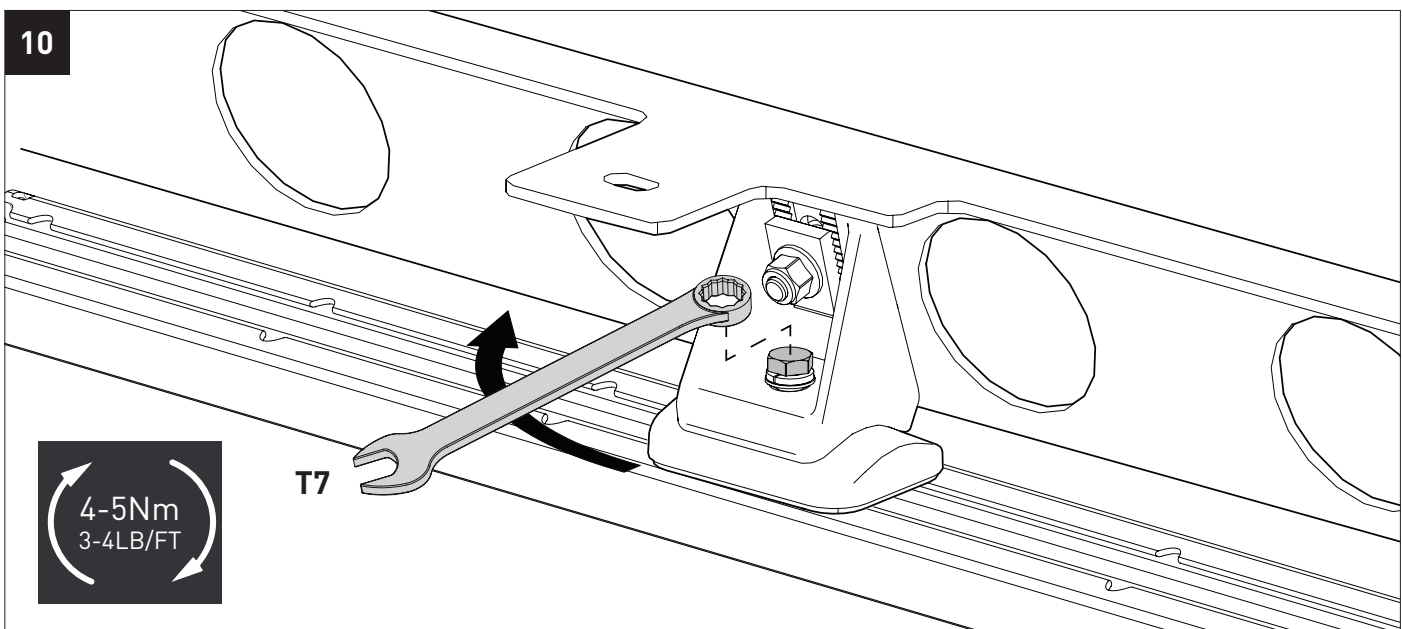
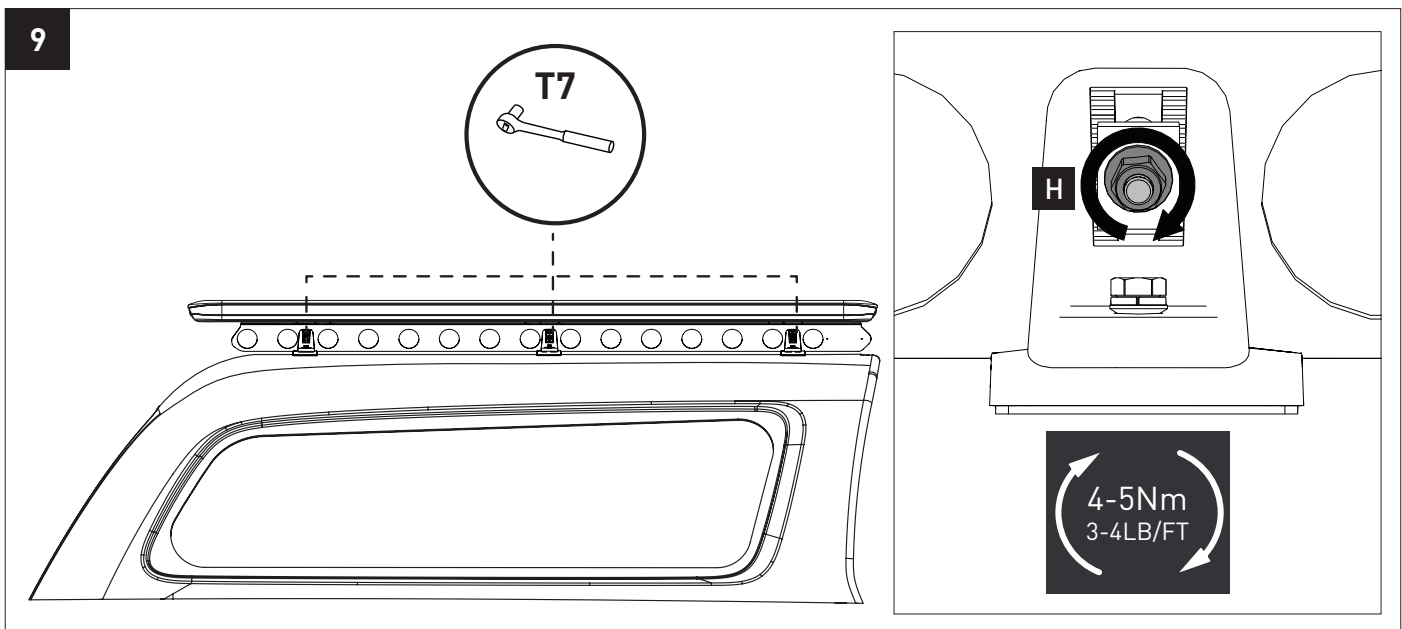
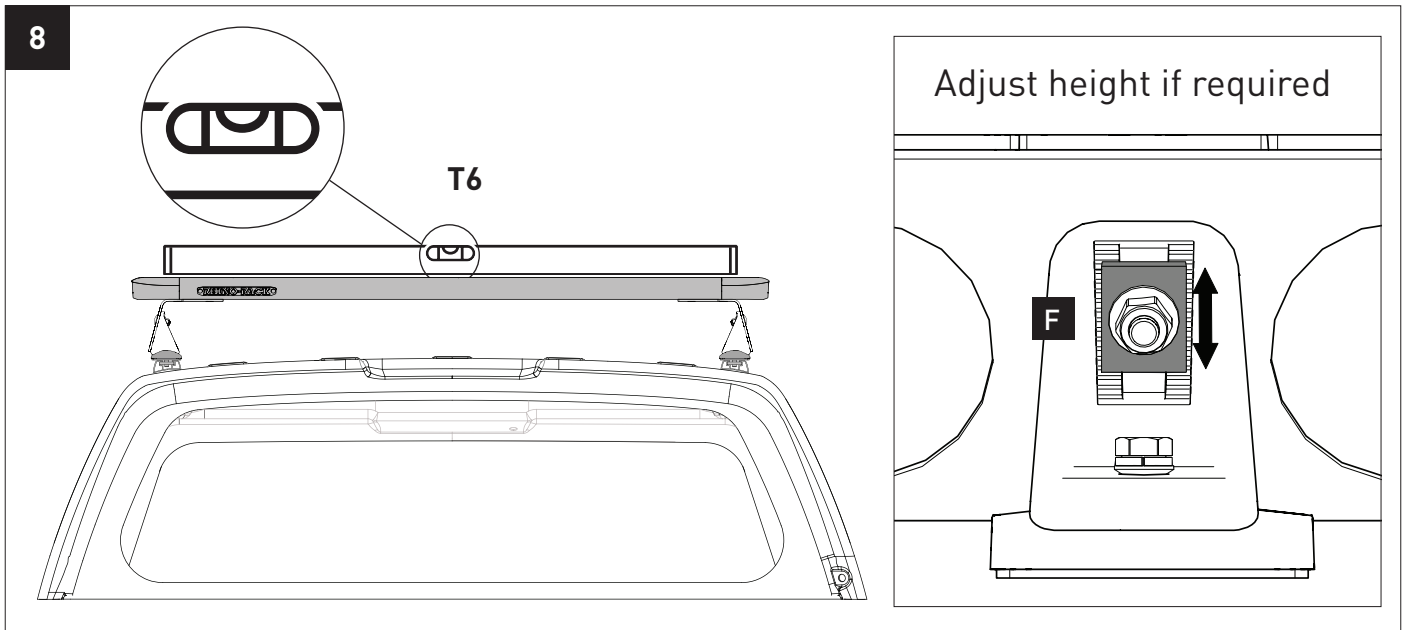
Refer **NOTES** on Page 19



T3 Centre tray on canopy **T3**

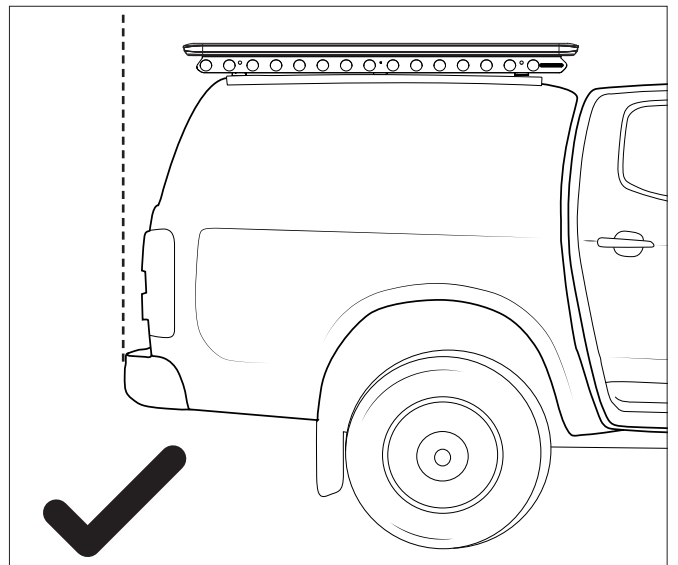
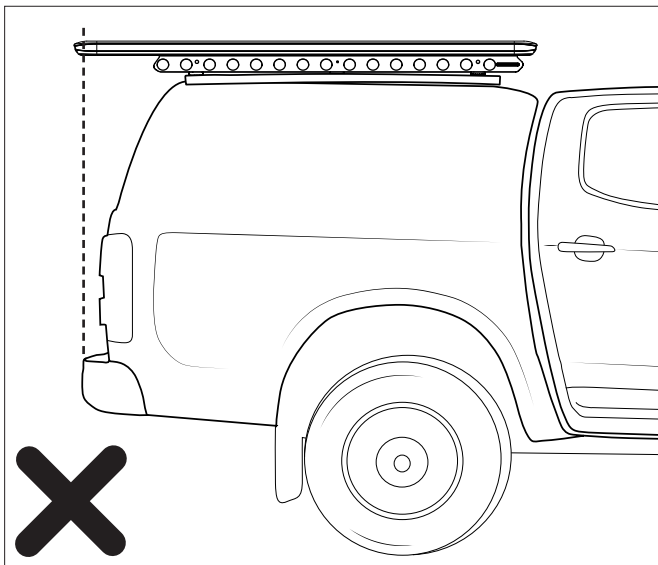
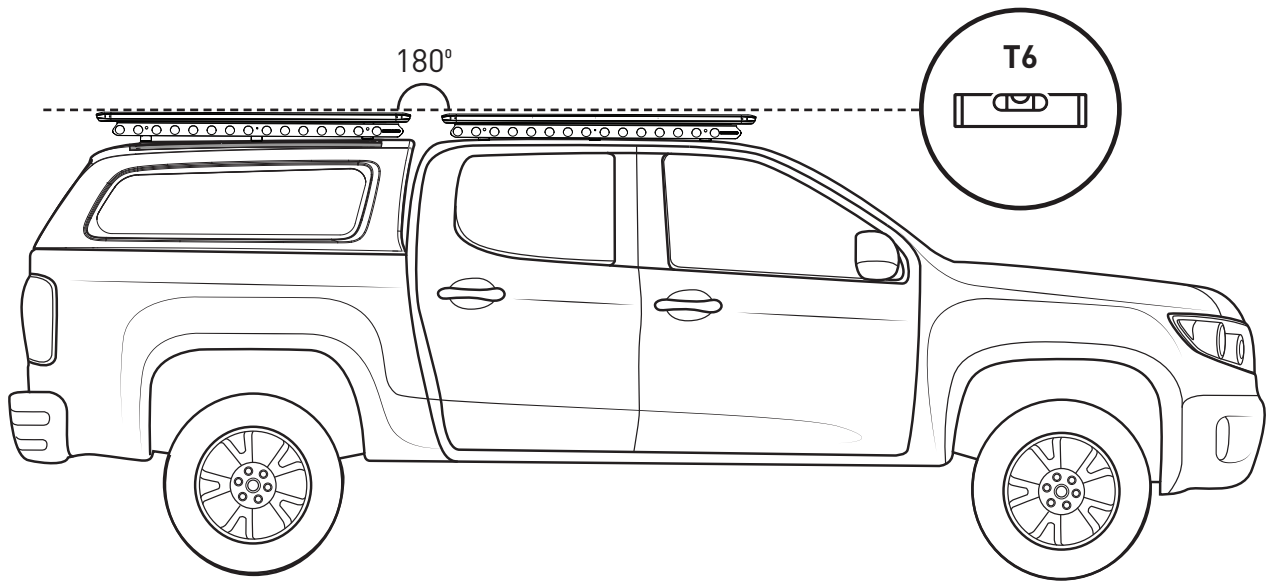


RUMB1 & RUMB2 Backbone Instructions



RUMB1 & RUMB2 Backbone Instructions

NOTES



Learn more about roof racks and cargo carriers we have.