



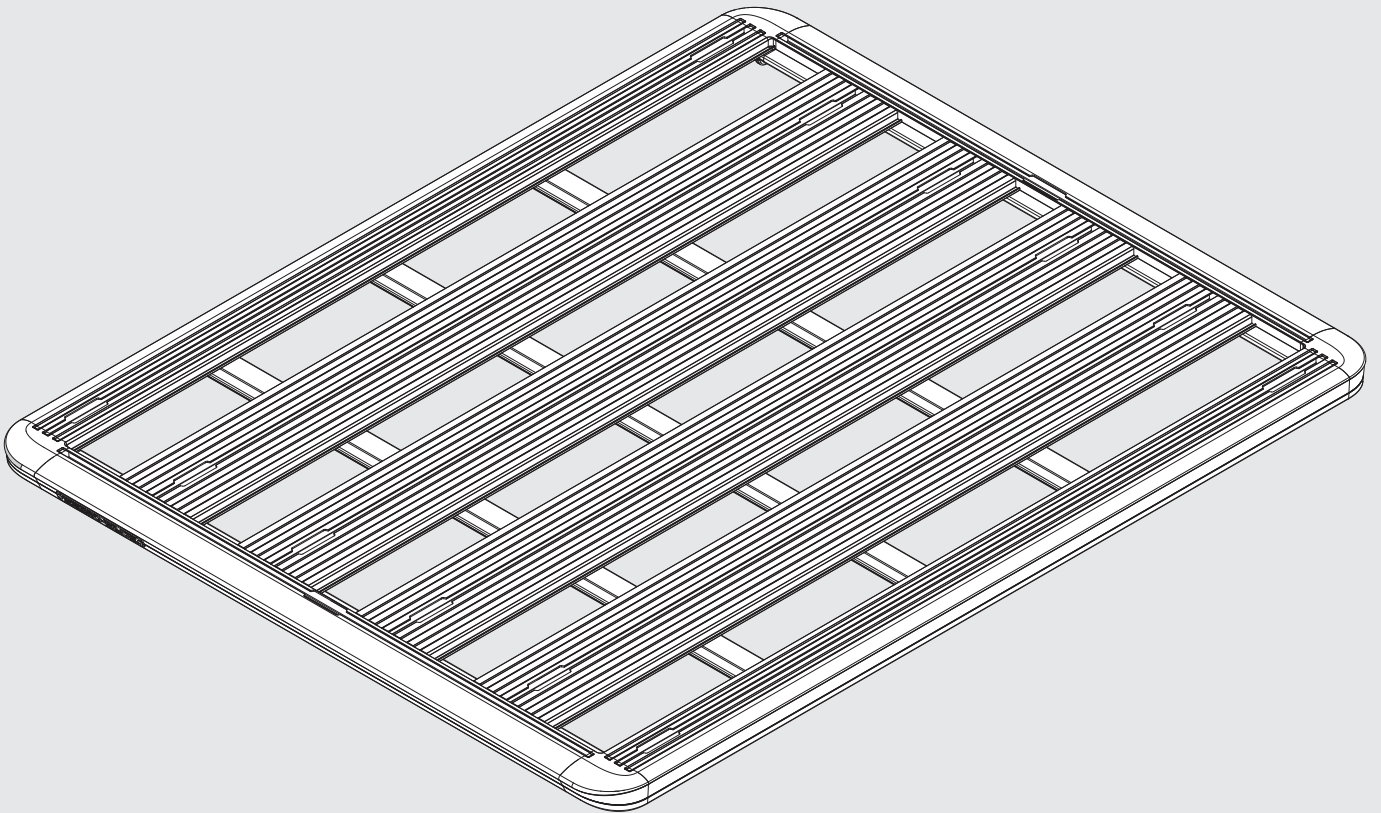
# RHINO-RACK®

## PIONEER ALLOY TRAY (flat pack)

**Important:**

1. Check the Rhino-Rack website to ensure you have the latest issue of these instructions.
2. Please refer to your fitting instruction to ensure that the roof racks are installed in the correct locations.
3. Check the contents of kit before commencing fitment and report any discrepancies.
4. Place these instructions in the vehicle's glove box after installation is complete.
5. These instructions must be followed for warranty to be upheld.

**Fit Time:** 1 hour



## Instructions - Instrucciones

---

### Carrying Capacity

**Max system load capacity (incl. system weight), refer to Pioneer fit sheet.**

Check your vehicle owners hand book for vehicle maximum carrying capacity. Please ensure you use the vehicle manufacturers maximum roof allowance if it is lower than the figure listed in this instruction.

Load must be evenly distributed over the system.

**Off Road:** Any driven path taken that does not contain a surface protection layer (tar/bitumen).

**Vehicle Load Limit:** Total permissible weight attached to the roof of the car. This is inclusive of the weight of the roof rack system.

**System Load Limit:** Total permissible weight allowed on top, and attached to roof racks whilst the vehicle is in motion.

### Torque Settings

Unless stated otherwise in these instructions, all fasteners should be set to the following torque settings - M6: 4-5Nm (3-4lbs/ft), M8: 8-10Nm (6-7.5lbs/ft) and M10: 16-18Nm (12-13lbs/ft).

### Warning

---

- Check part number or kit is correct for use with your vehicle.
- Do not attempt to fit the rack system to your vehicle unless you fully understand these fitting instructions. Please direct any questions regarding fitting to the dealer from where the roof racks were purchased.
- Although the system is tested and approved to AS1235-2000 / ISO 11154, off-road conditions can be much more rigorous. Extreme care must be taken in off road conditions.
- Roof racks must be removed when vehicle is put through an automatic car wash.
- With utility vehicles, the cabin and the canopy move independently. Roofracks and vehicle can be damaged if the item transported is rigidly fixed at points on both the cabin and canopy. Instead, rigidly fix to either the cabin roof racks or the canopy roof racks.
- Always ensure you fasten your load securely.
- Use only non-stretch fastening ropes or straps to attach cargo to your load.

### In service maintenance checks

---

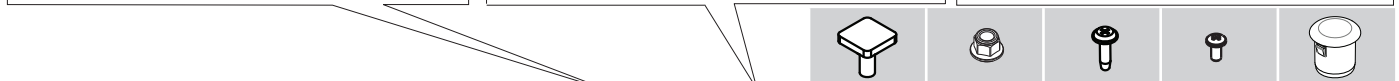
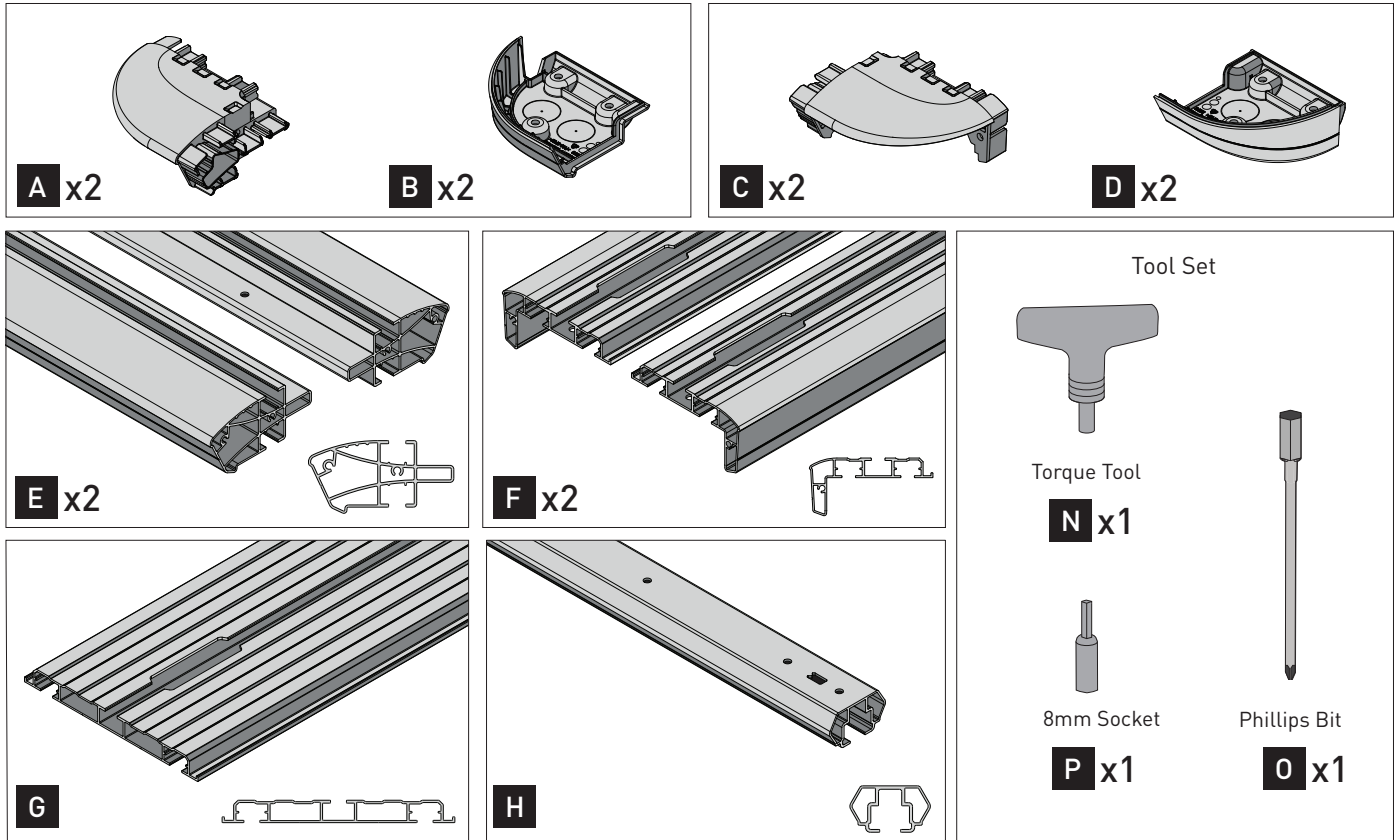
- All bolted connections should be checked after driving a short distance when you first install your roof racks.
- All bolted connections should be checked again at regular intervals (weekly is recommended, depending on road conditions, usage, loads and distances travelled).
- All bolted connections should be checked each time they are re-fitted.

### Note for Dealers and Fitters

---

It is your responsibility to ensure these fitting instructions are given to the end user or client. These instructions remain the property of Rhino-Rack Australia Pty. Ltd. and may not be used or changed for any other purpose than intended.

# Instructions



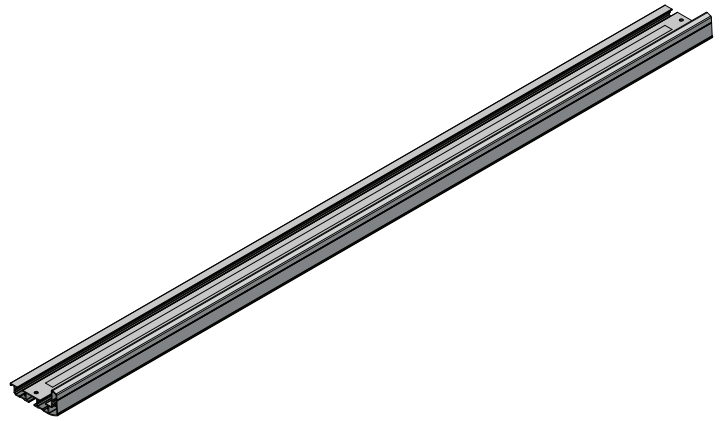
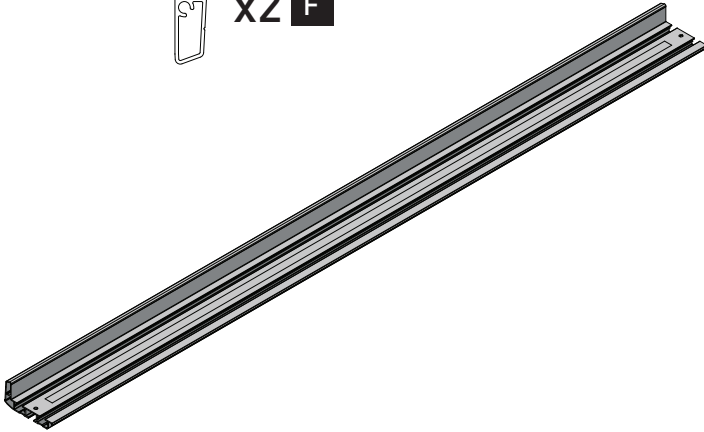
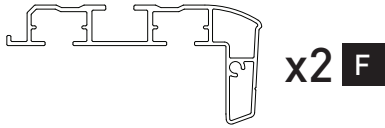
Platform #	L x W (mm)	L x W (inches)	G	H	I	J	K	L	M
52100	1528 x 1236	60' x 49'	4	3	52	52	12	16	6
52101	1528 x 1376	60' x 54'	5	3	62	62	12	16	6
52102	1928 x 1236	76' x 49'	4	5	76	76	12	16	6
52103	1928 x 1376	76' x 54'	5	5	90	90	12	16	6
52104	2128 x 1426	84' x 56'	5	5	90	90	12	16	N/A
52105	2728 x 1465	107' x 58'	5	6	104	104	12	16	N/A
52107	2128 x 1236	84' x 49'	4	5	76	76	12	16	N/A
52108	1828 x 1426	72' x 56'	5	5	90	90	12	16	N/A
52109	1328 x 1236	52' x 49'	4	3	52	52	12	16	N/A
52110	1328 x 1376	52' x 54'	5	3	62	62	12	16	N/A
52111	1328 x 1426	52' x 56'	5	3	62	62	12	16	N/A
52112	928 x 1426	37' x 56'	5	2	48	48	12	16	N/A
52113	1528 x 1426	60' x 56'	5	3	90	90	12	16	N/A
52114	1228 x 952	48' x 37'	3	1	22	22	12	16	N/A
52115	1478 x 1184	58' x 47'	4	1	28	28	12	16	N/A
52119	2528 x 1586	100' x 62'	5	6	104	104	12	16	N/A
52120	1528 x 1586	60' x 62'	5	3	62	62	12	16	N/A
52121	1228 x 1426	48' x 56'	5	3	62	62	12	16	N/A

**Tools required:**

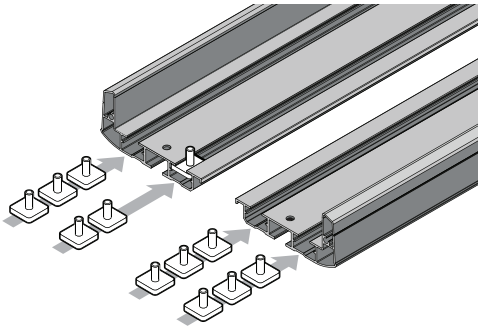
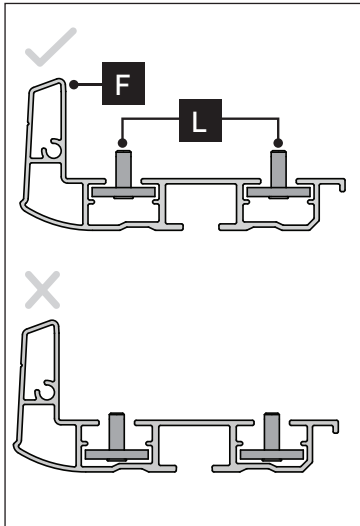
**Herramientas necesarias:**

- T1 - Phillips head screwdriver.
- T2 - Power drill.

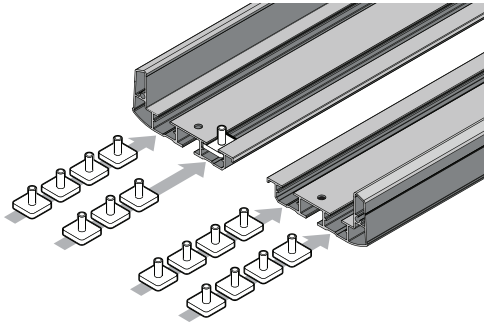
# Instructions



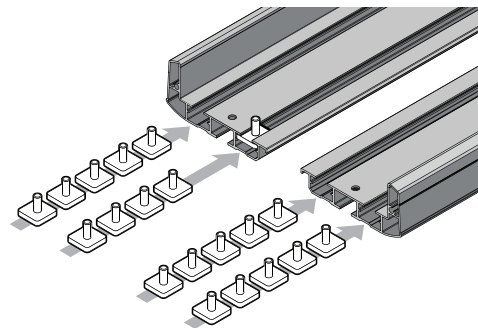
1



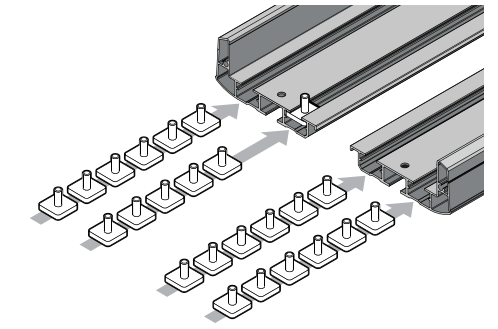
**H** **I**  
x3 = x12



**H** **I**  
x4 = x16

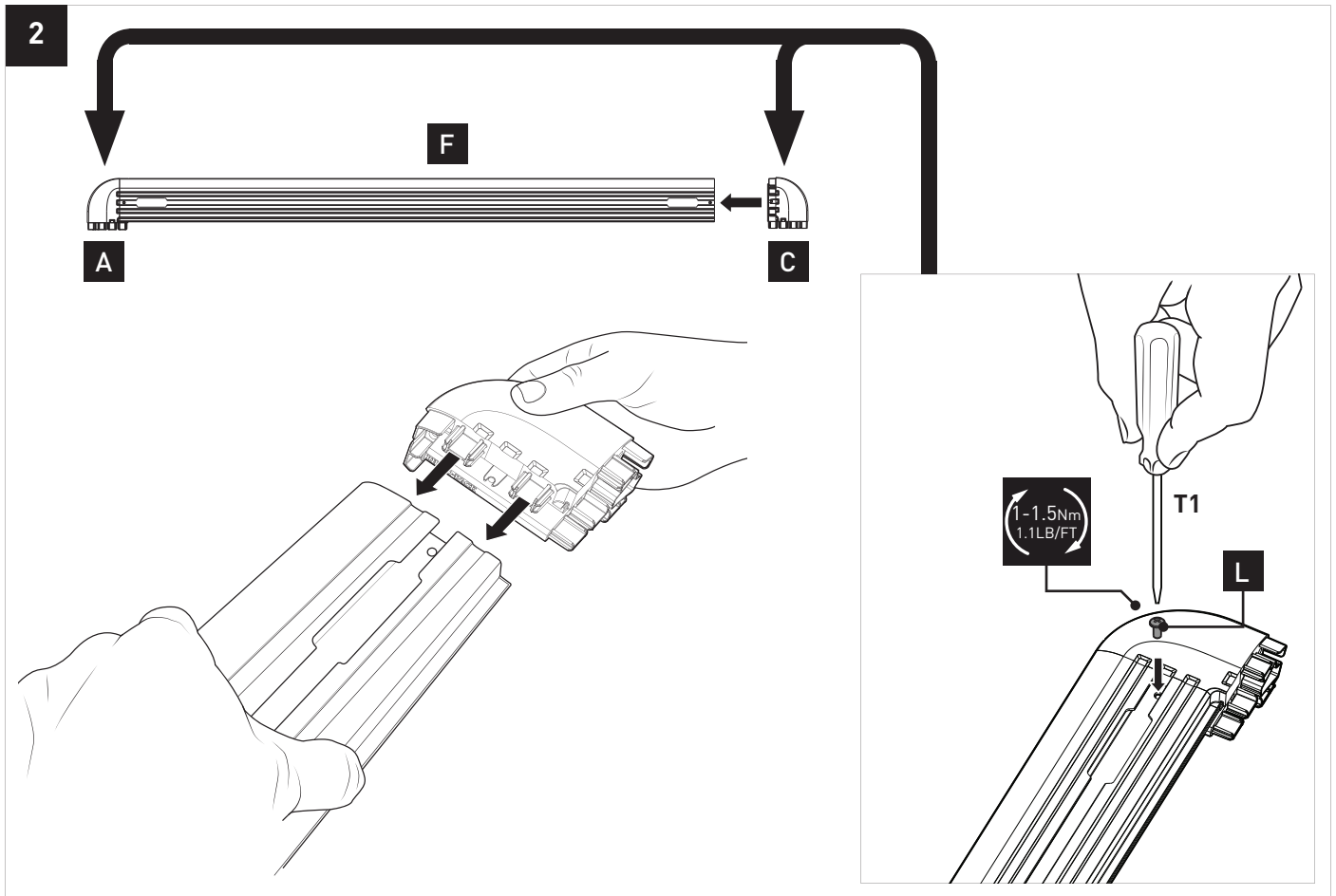
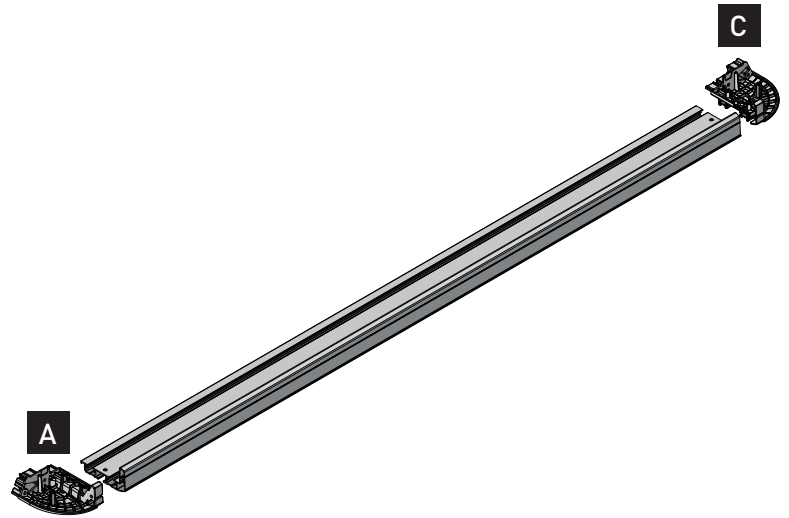
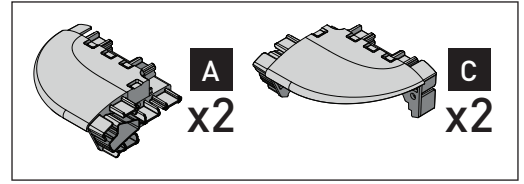
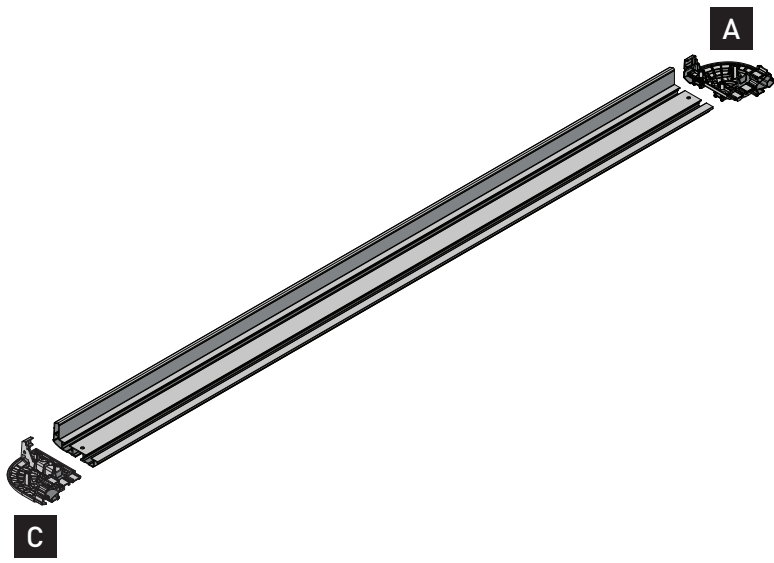


**H** **I**  
x5 = x20

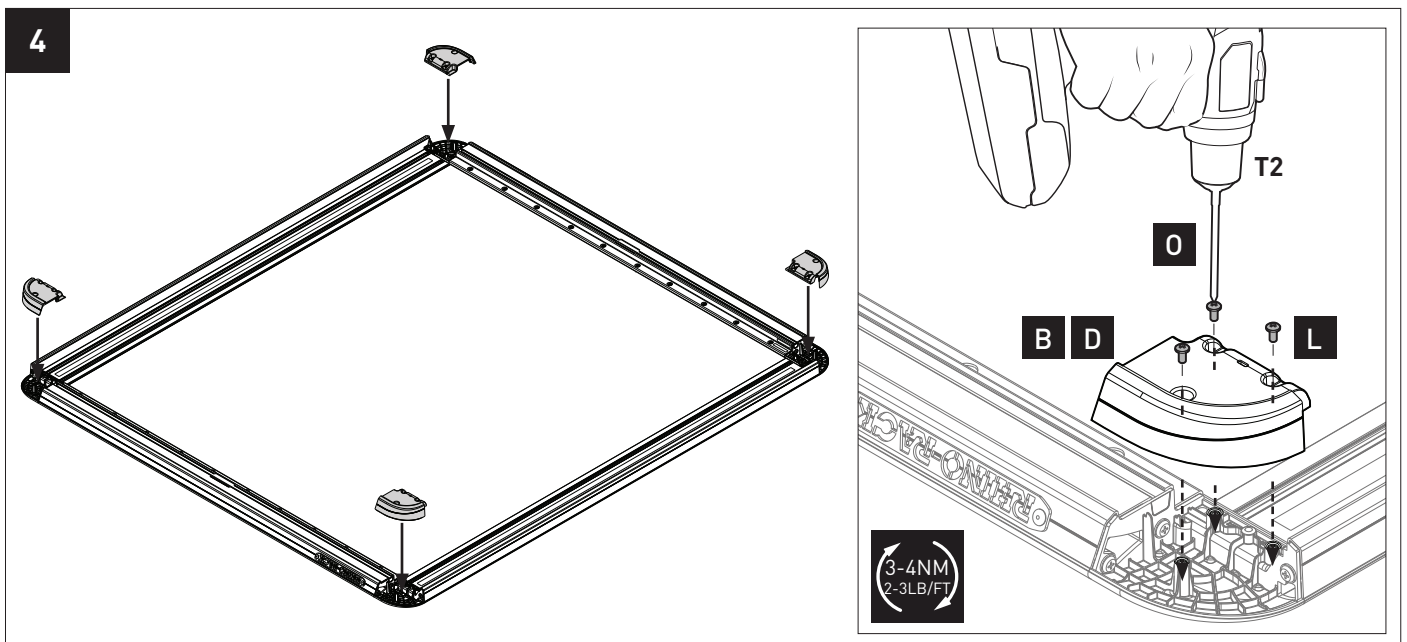
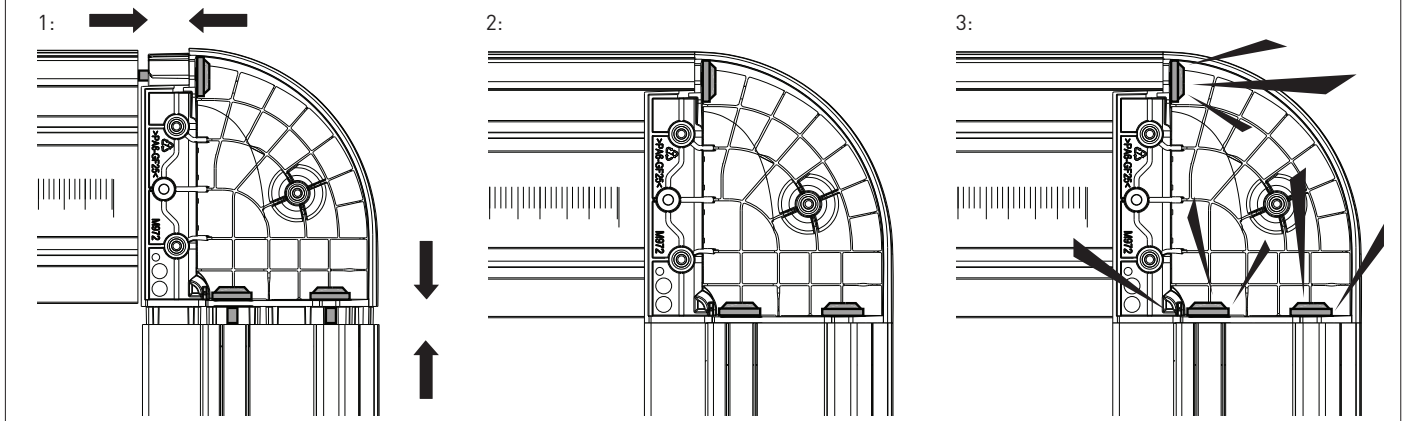
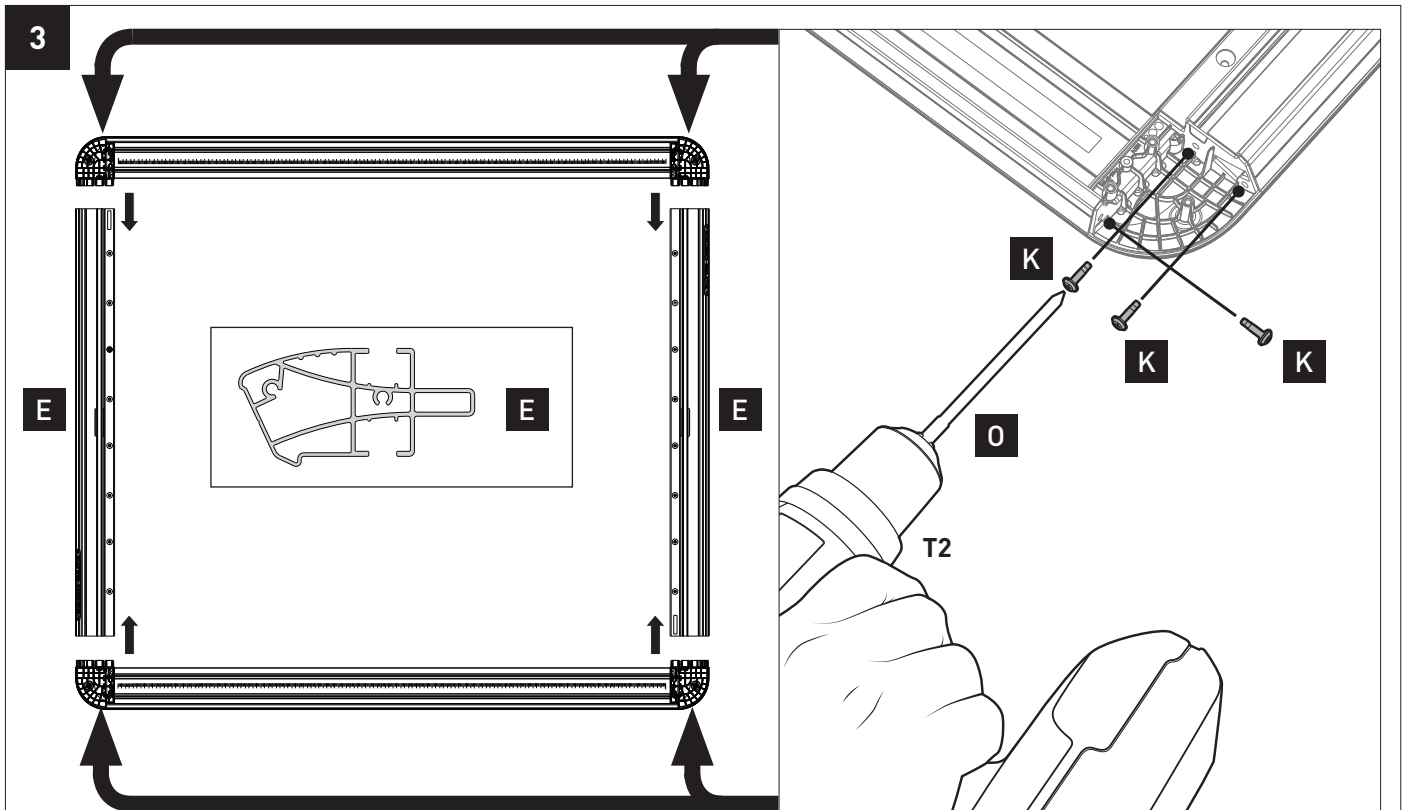


**H** **I**  
x6 = x24

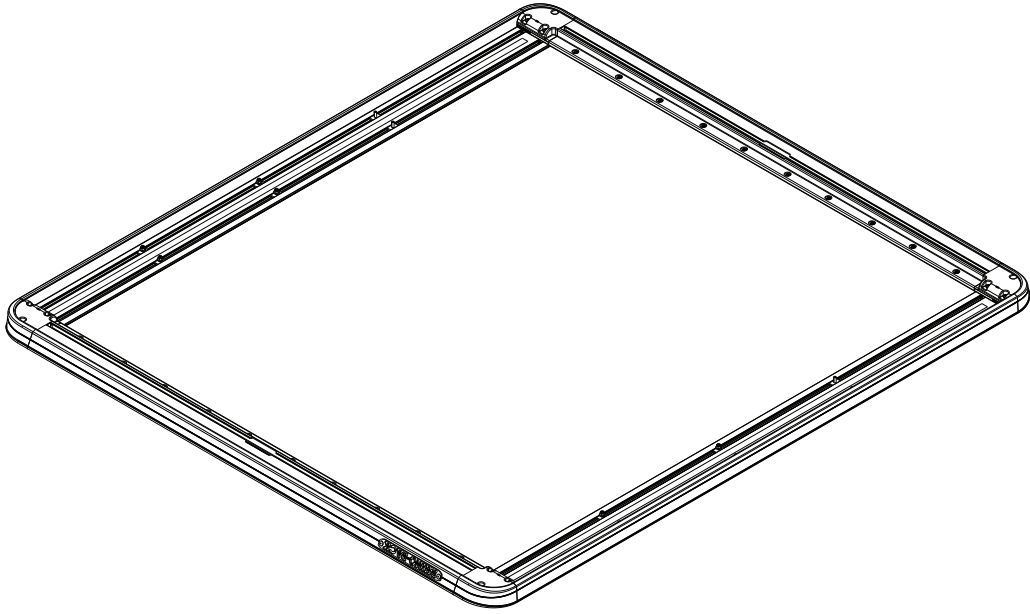
# Instructions



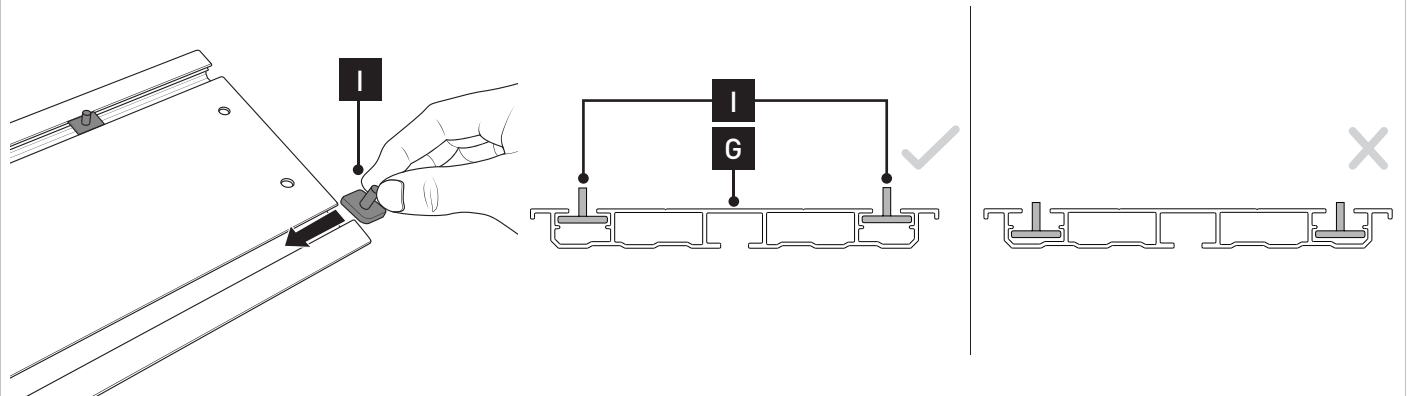
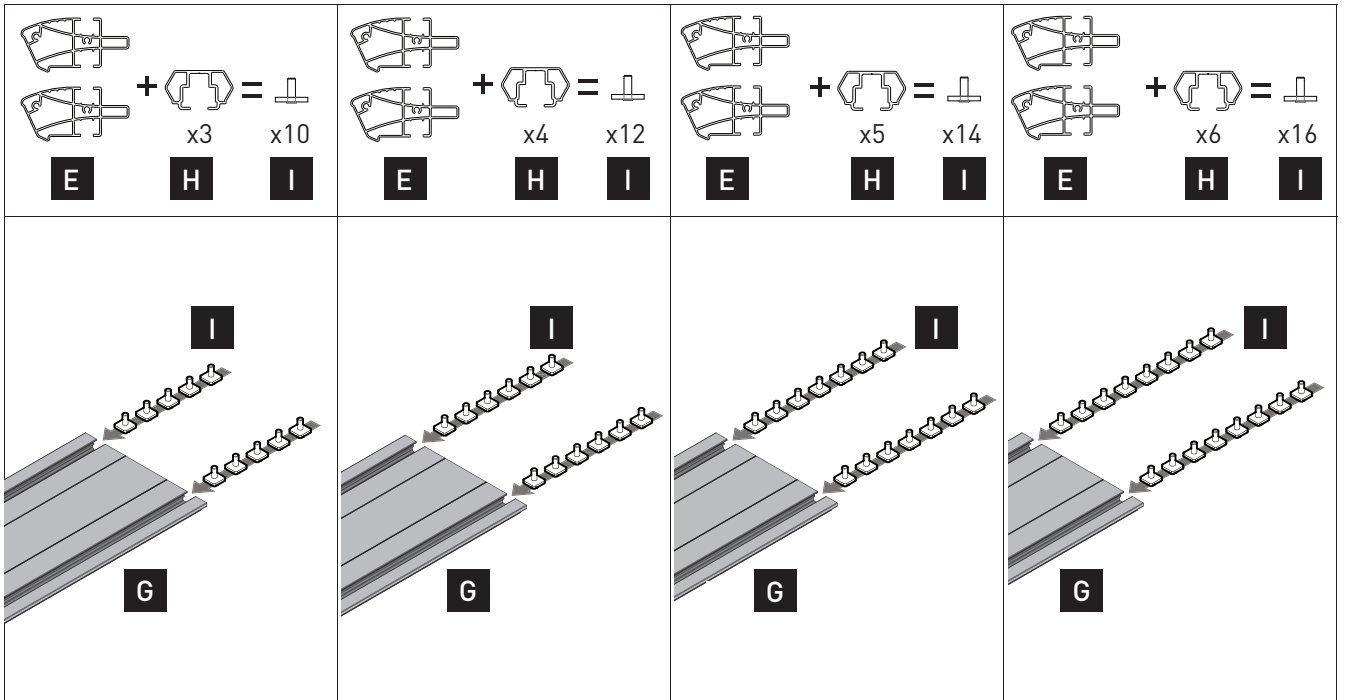
# Instructions



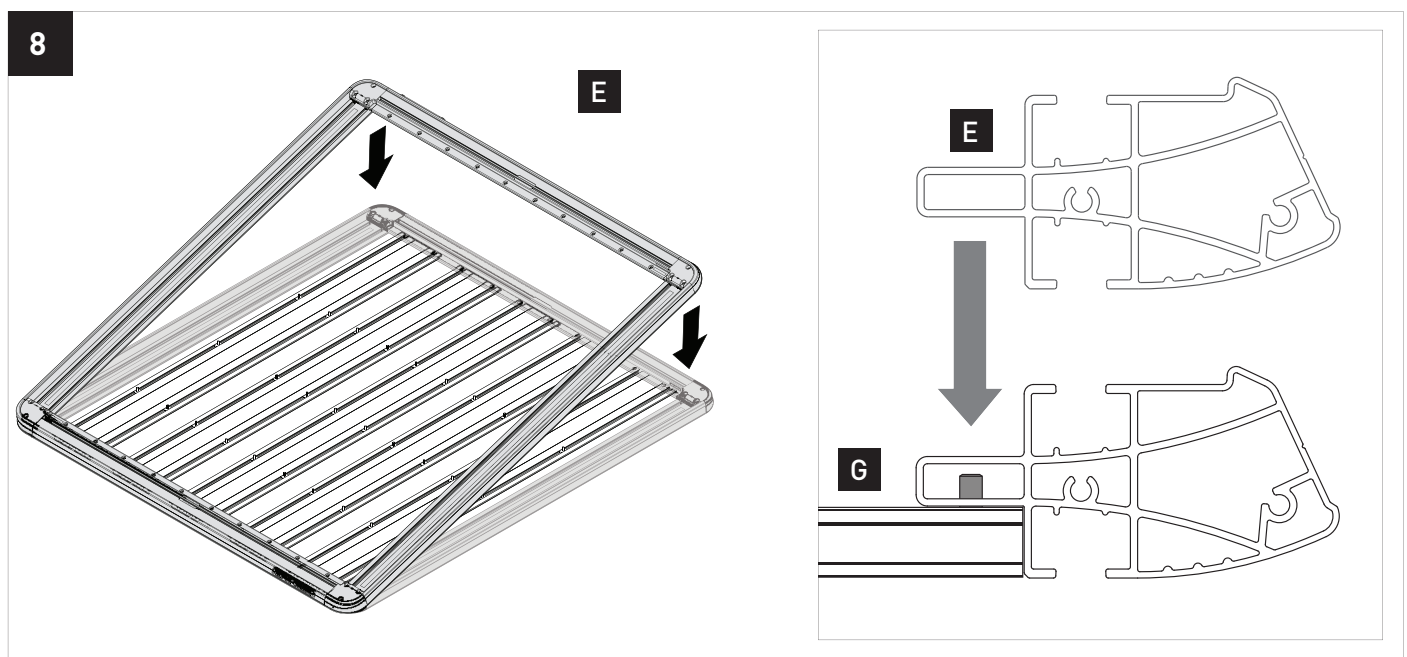
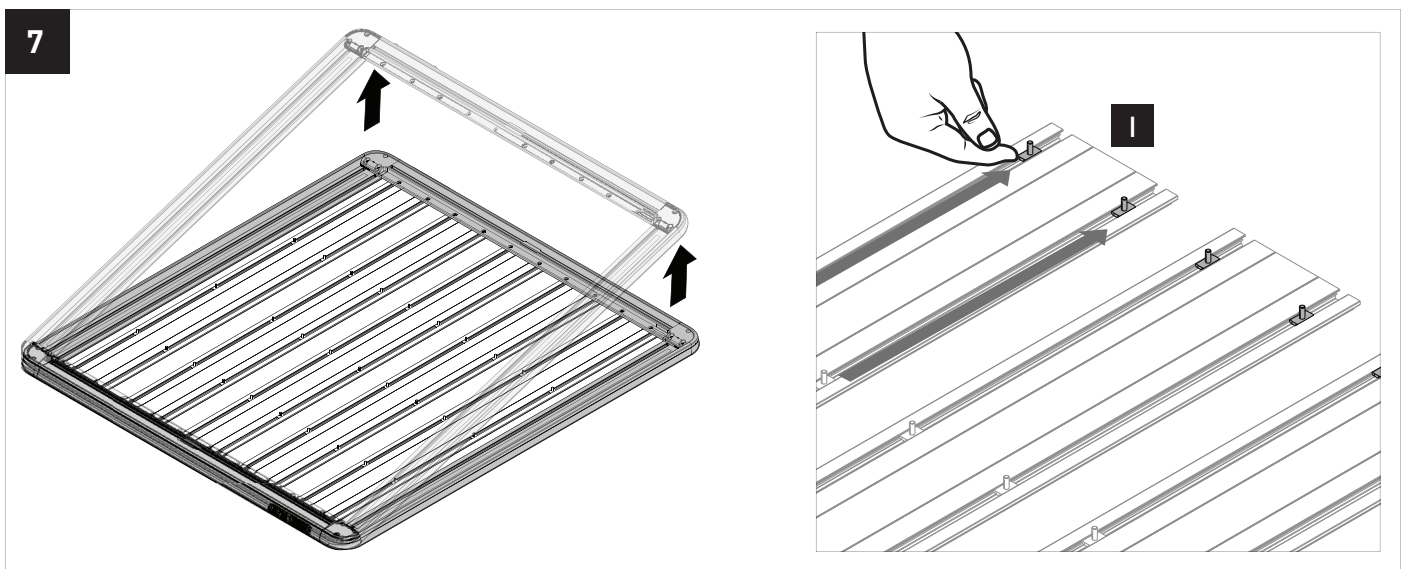
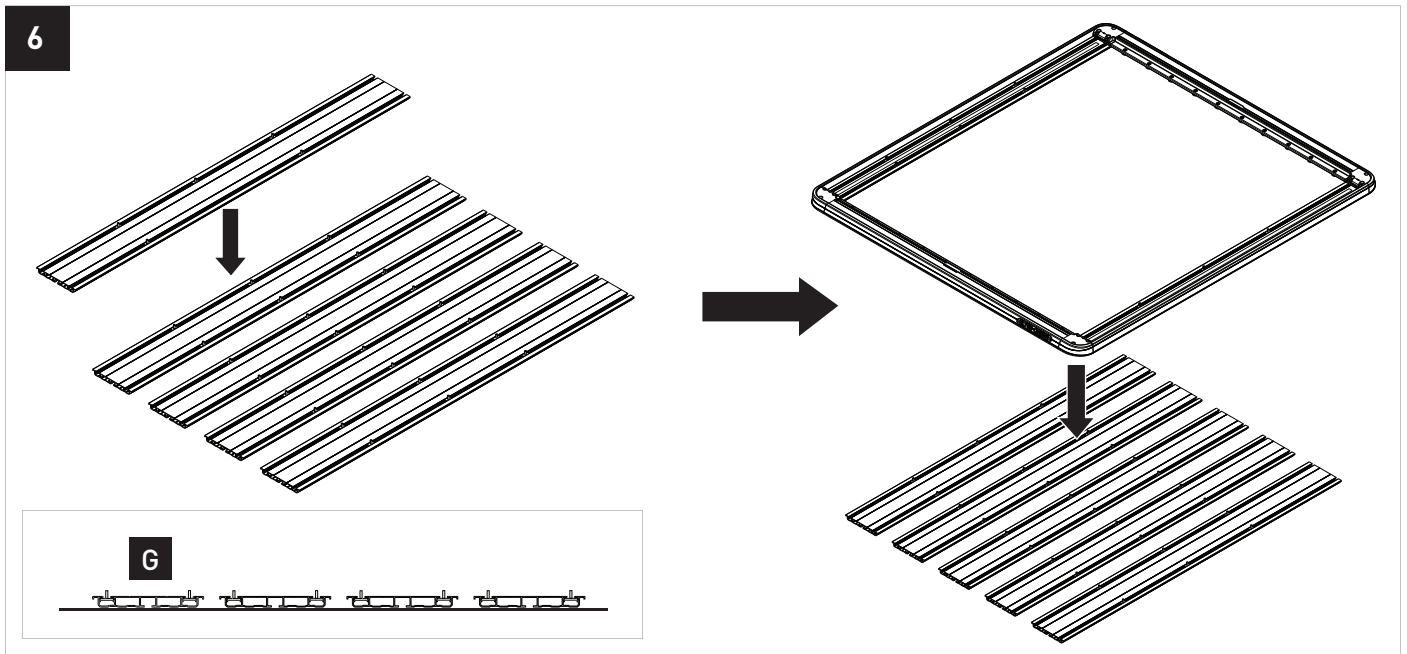
# Instructions



5

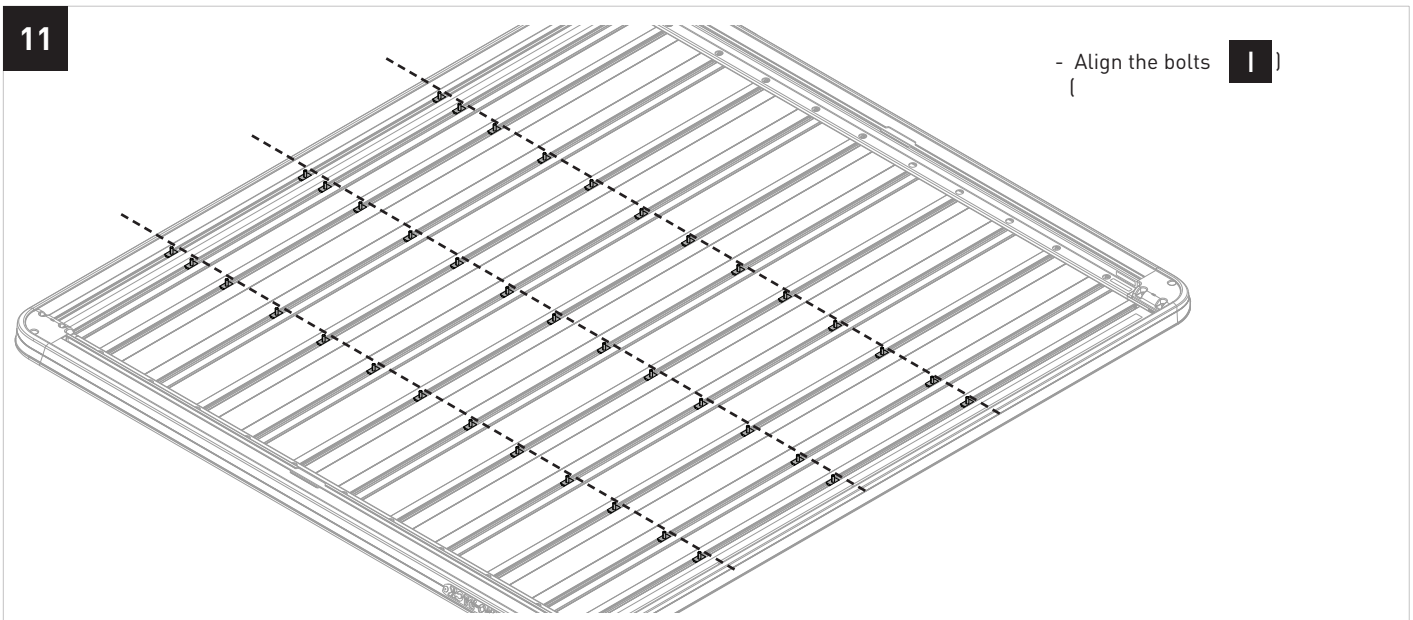
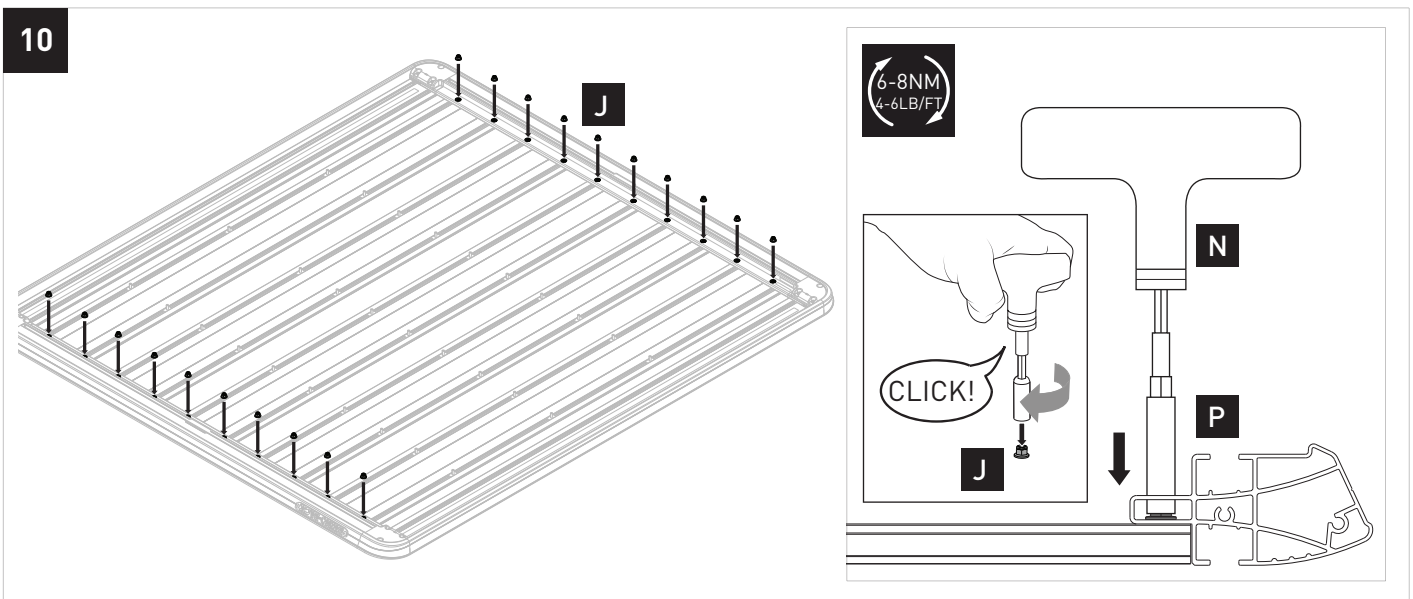
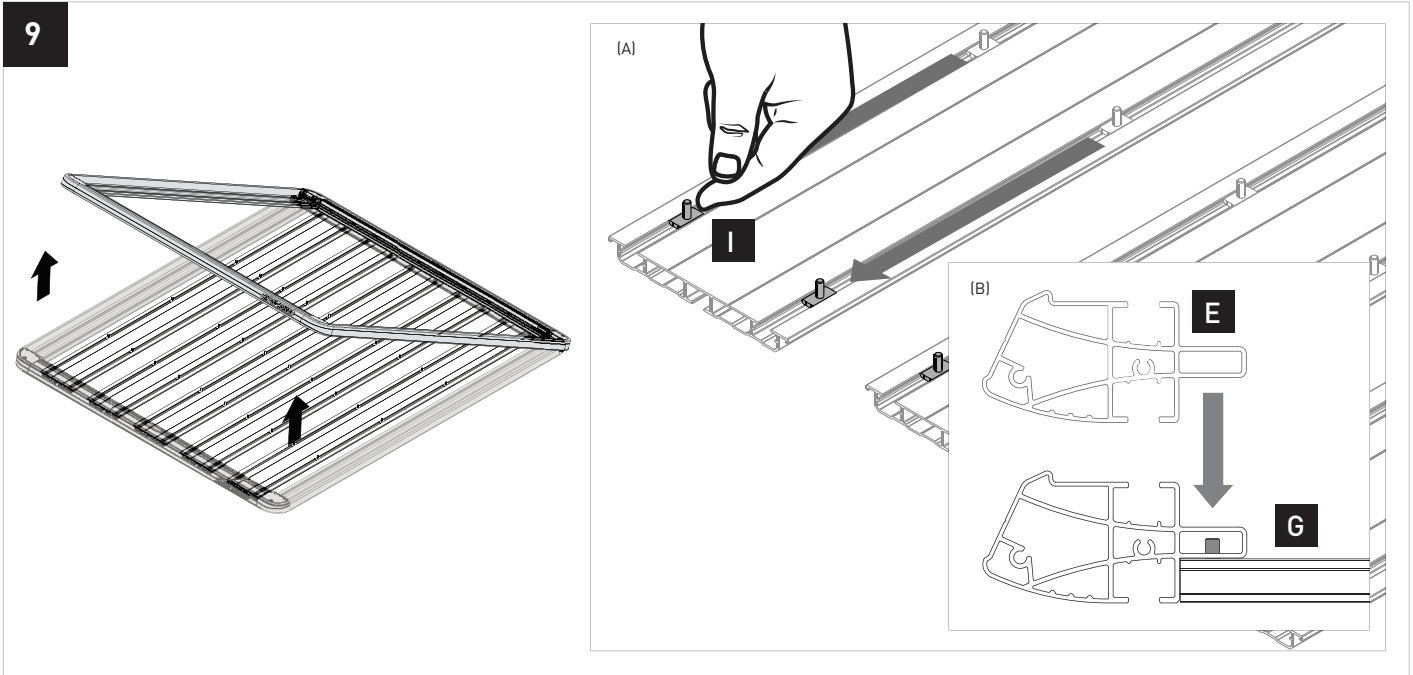


# Instructions



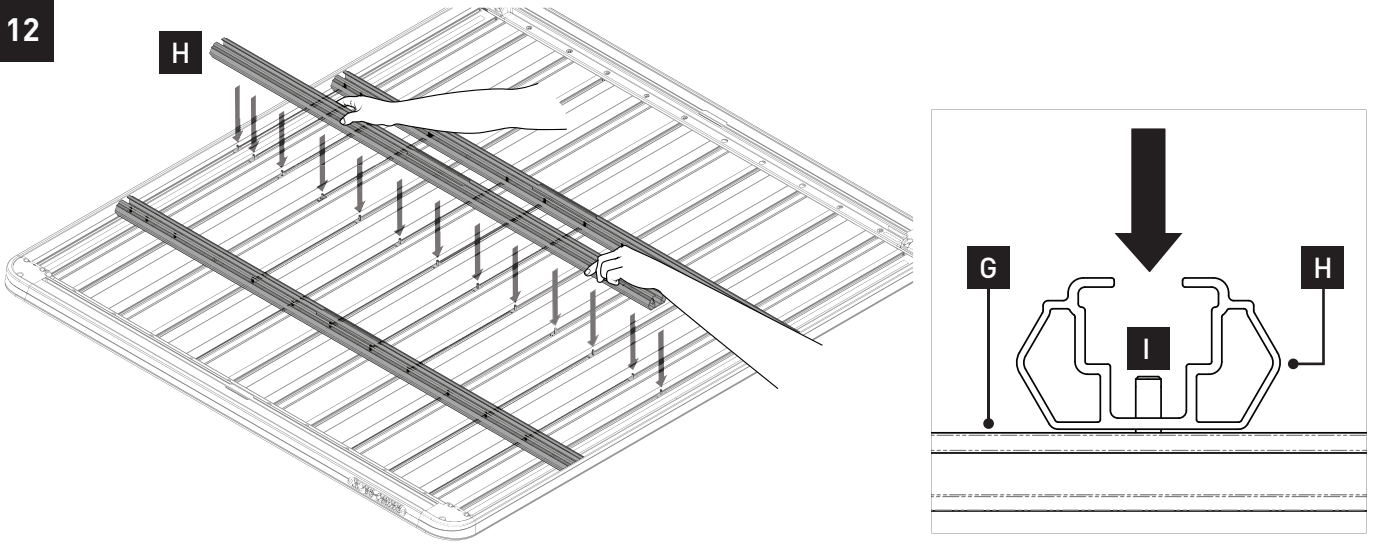


# Instructions

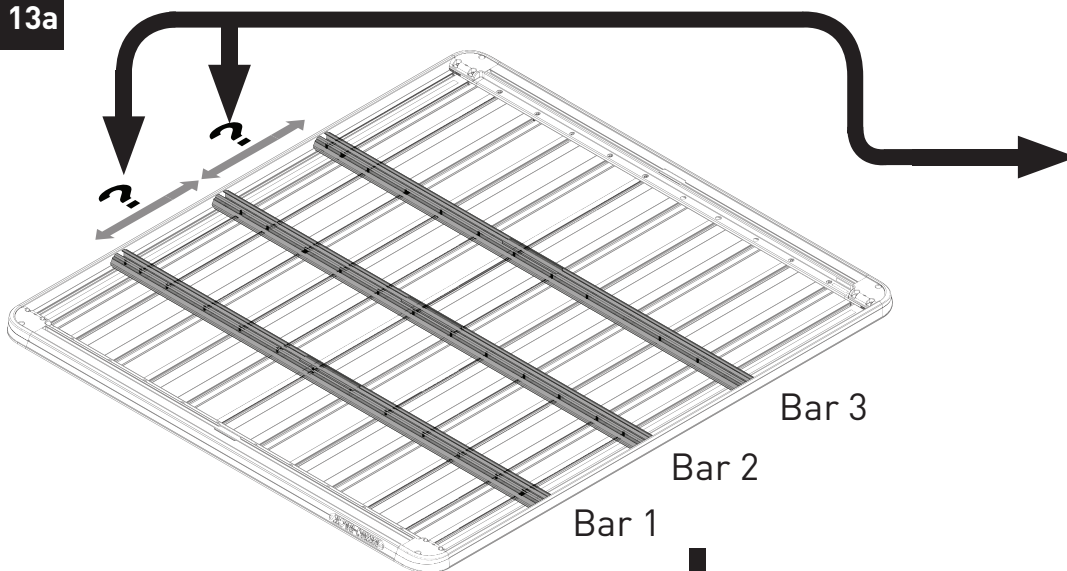


# Instructions

12



13a



**RHINO-RACK | PIONEER VEHICLE FITTING INFORMATION**

VEHICLE	PIONEER SIZE	CONNECTOR	HEIGHT ADDED (mm / in)
EXAMPLE ONLY	53100	RCL	120.0 / 4.7

**IMPORTANT NOTES** RCP48-BK required. Fixed point factory mount. -

REGION	AUS	NZ	USA	CA	SA	UK	EU	ZA
AVAILABILITY	✓	✓	✓	✓	✓	✓	✓	✓
RUNNING DATES	02/15 -	02/15 -	-	-	-	-	-	-

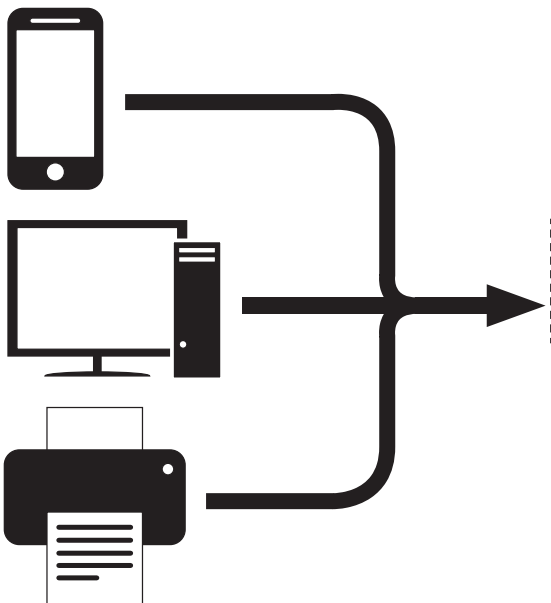
**UNDERBAR SPACING**

SIZE NO.	A	B	C	D	E	F	G
DIMENSION (CM)	45.2	0	45.2				
SPACERS REQ'D							
CONNECTOR	RCL		RCL				

VEHICLE LOAD LIMIT (VLL) (kg / lbs)	SYSTEM WEIGHT (SW) (kg / lbs)	ON-ROAD CARGO ALLOW. (ORA)	OFF-ROAD CARGO ALLOW. (OFRA)
Up to 100 / 220.5 *	19 (41.2)	OR = VLL - SW	OFRA = OR / 1.5

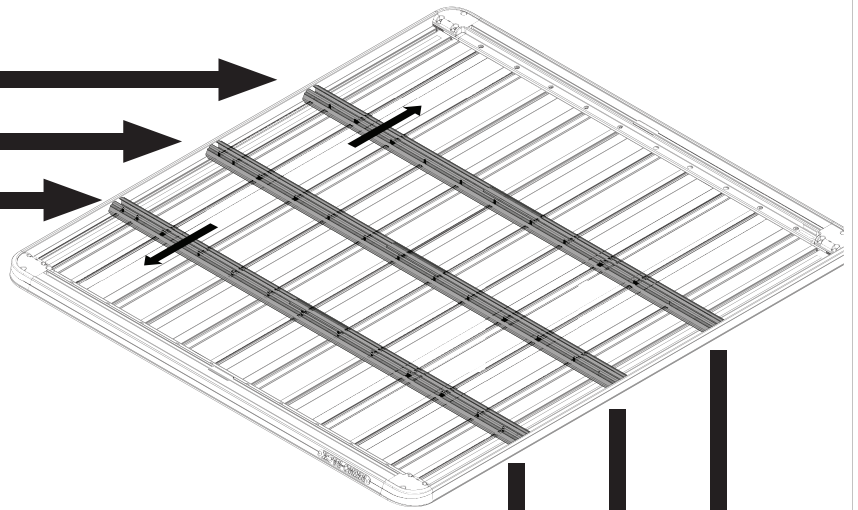
\*CHECK YOUR VEHICLE OWNERS HANDBOOK FOR VEHICLE MAXIMUM CARRYING CAPACITY. PLEASE ENSURE YOU USE THE VEHICLE MANUFACTURERS MAXIMUM ROOF ALLOWANCE IF IT IS LOWER THAN THE FIGURES LISTED IN THIS INSTRUCTION.

Bar 1, 2, 3



# Instructions

13b



## RHINO-RACK PIONEER VEHICLE FITTING INFORMATION

VEHICLE	PIONEER SIZE	CONNECTOR	HEIGHT ADDED (mm / in)
EXAMPLE ONLY	92100	RCL	120.0 / 4.7

IMPORTANT NOTES: RCP68-BK required. Fixed point factory mount. -

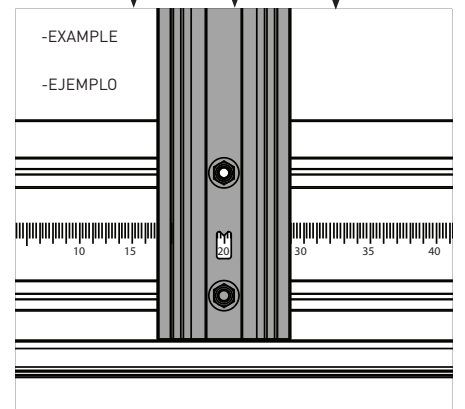
REGION	AUS	NZ	USA	CA	SA	UK	EU	ZA
AVAILABILITY	✓	✓	x	x	x	x	x	x
RUNNING DATES	02/15 -	02/15 -	-	-	-	-	-	-

UNDERBAR SPACING

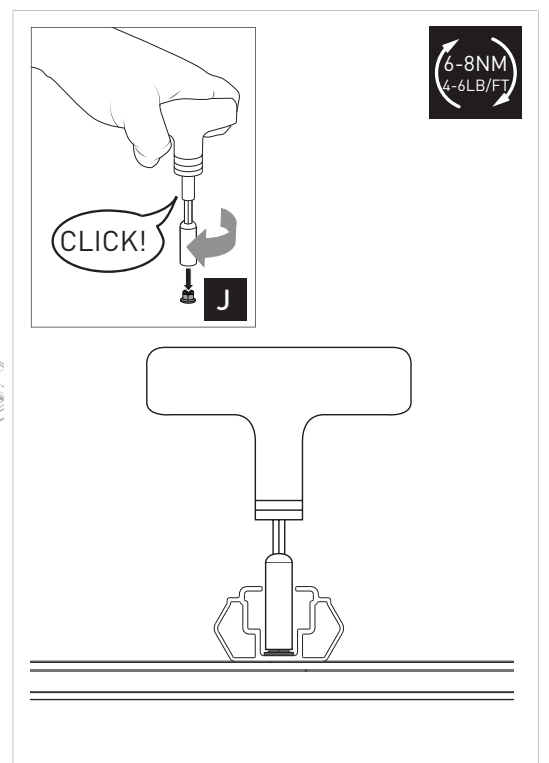
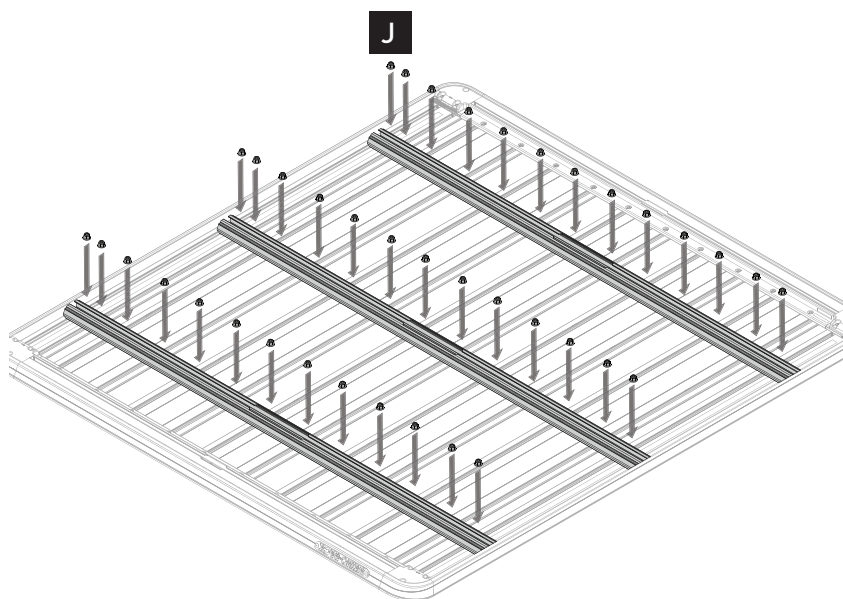
BAR NO	A	B	C	D	E	F	G
DIMENSION (CM)	45.7	B	45.7				
SPACERS REQ'D							
CONNECTOR	RCL		RCL				

VEHICLE LOAD LIMIT (VLL) (kg / lbs)	SYSTEM WEIGHT (SW) (kg / lbs)	ON-ROAD CARGO ALLOW. (OR) (kg / lbs)	OFF-ROAD CARGO ALLOW. (OFR) (kg / lbs)
Up to 100 / 220.5 *	19 / 41.2	OR = VLL - SW	OFR = OR / 1.5

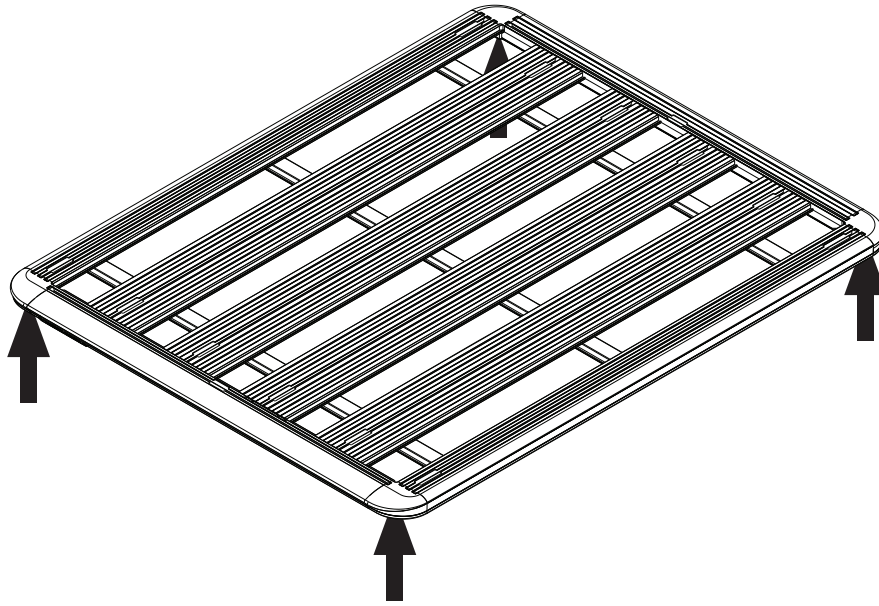
\*CHECK YOUR VEHICLE OWNERS HANDBOOK FOR VEHICLE MAXIMUM CARRYING CAPACITY. PLEASE ENSURE YOU USE THE VEHICLE MANUFACTURERS MAXIMUM ROOF ALLOWANCE IF IT IS LOWER THAN THE FIGURE LISTED IN THIS INSTRUCTION.



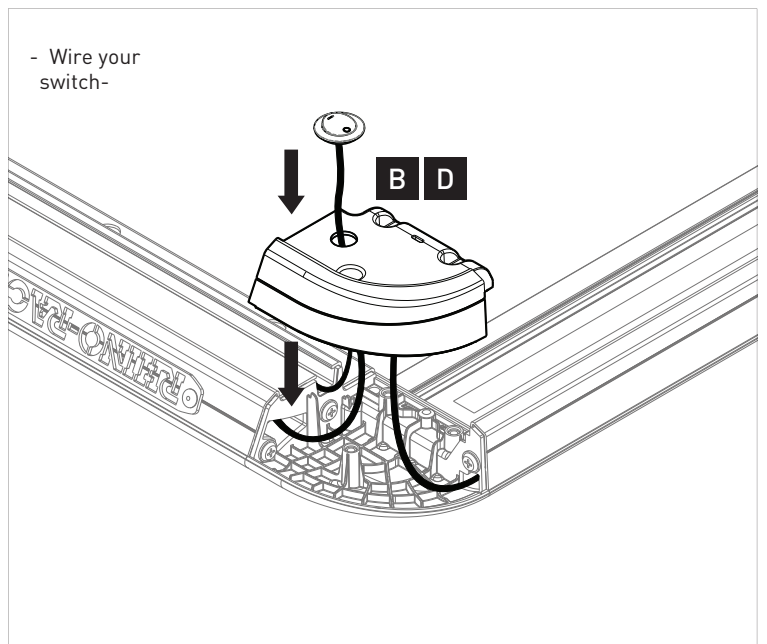
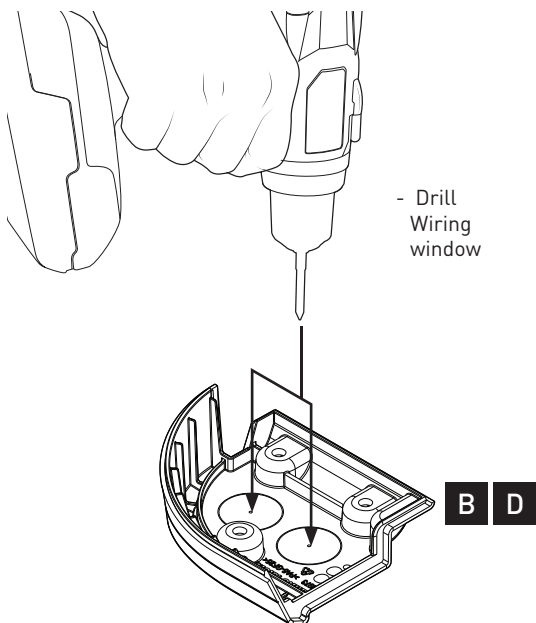
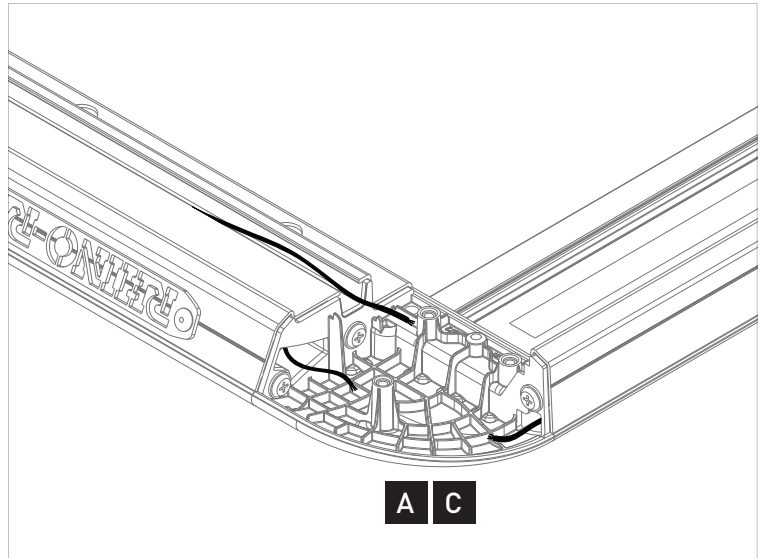
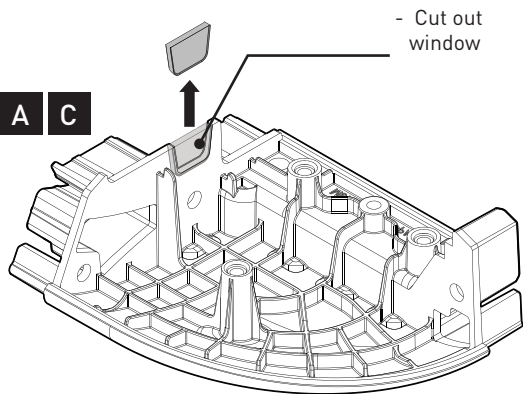
14



# Instructions

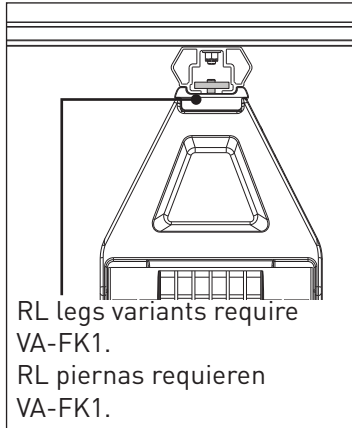
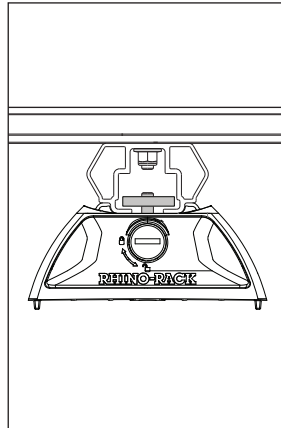
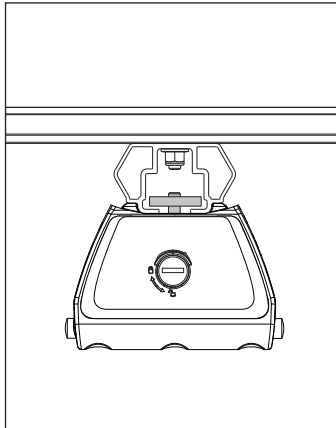
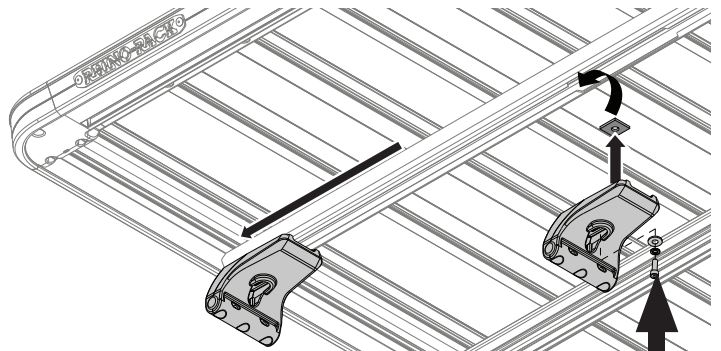
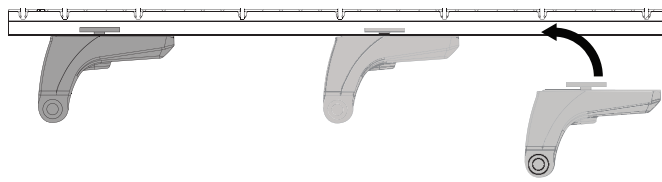


**Note** - For Wiring

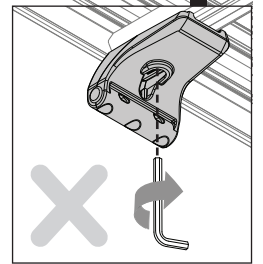


# Instructions

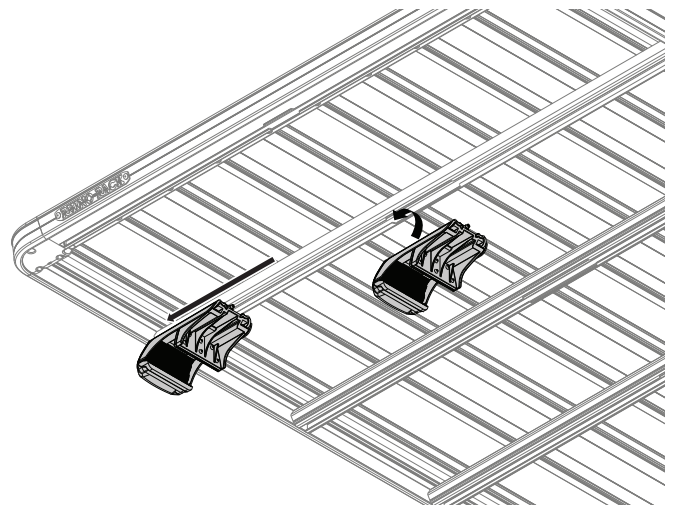
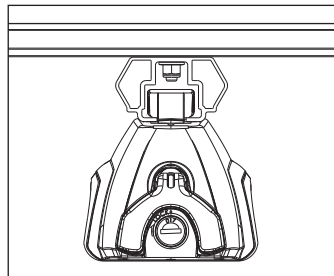
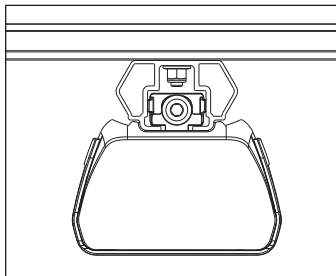
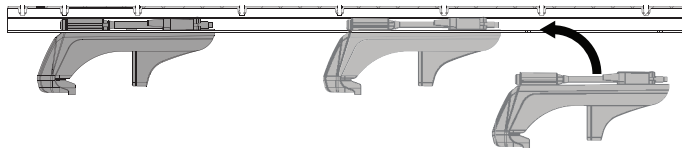
**15** RLT600, RCL/RCH,  
RL leg variants.



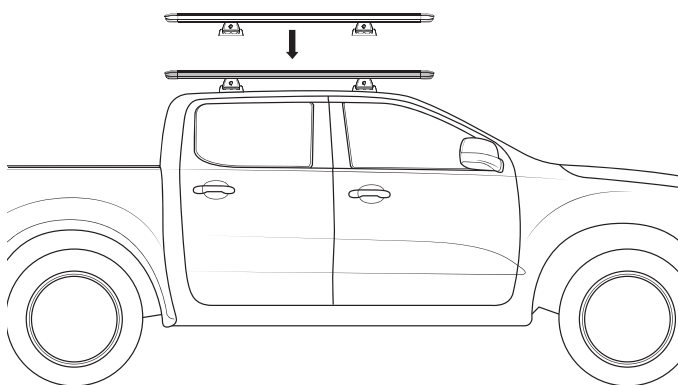
RL legs variants require  
VA-FK1.  
RL piernas requieren  
VA-FK1.



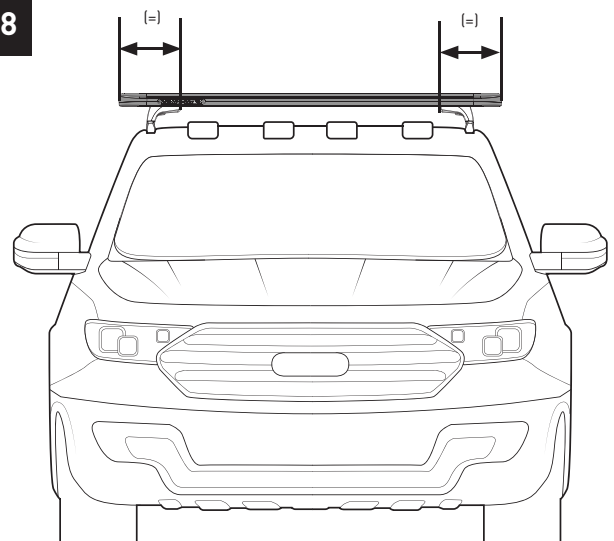
**16** SXB



**17**

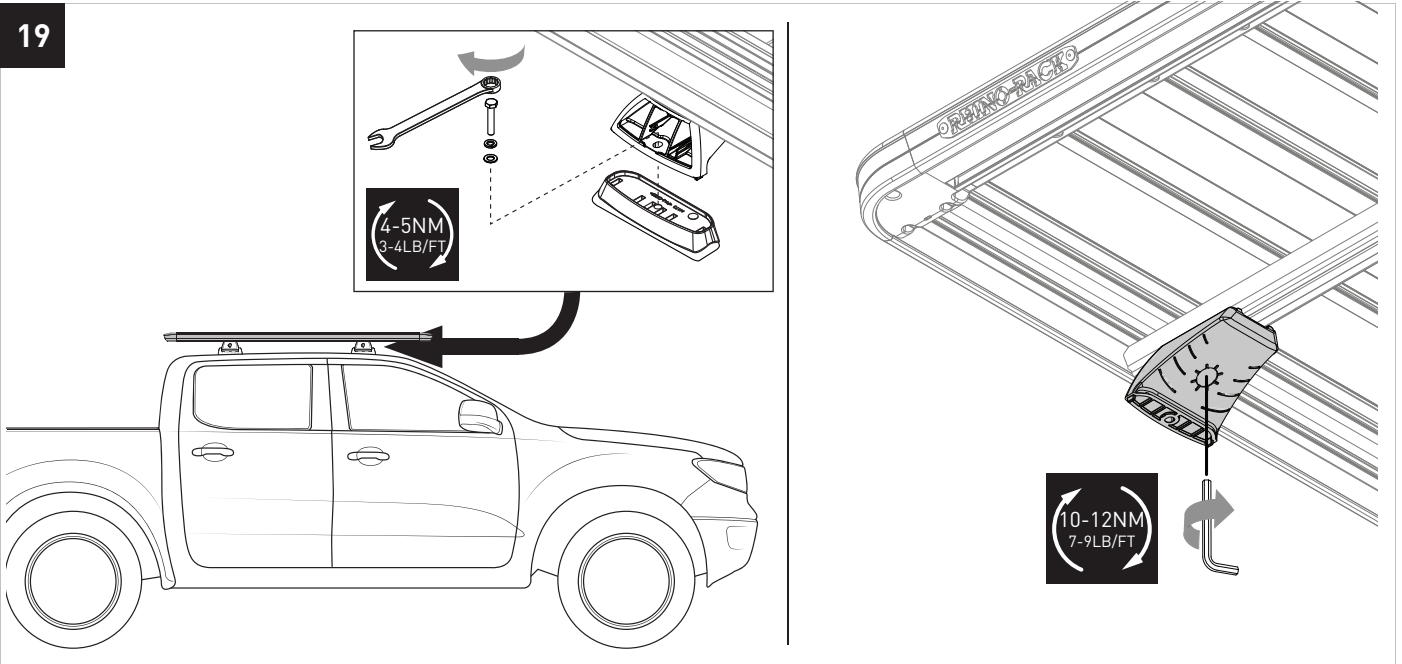


**18**

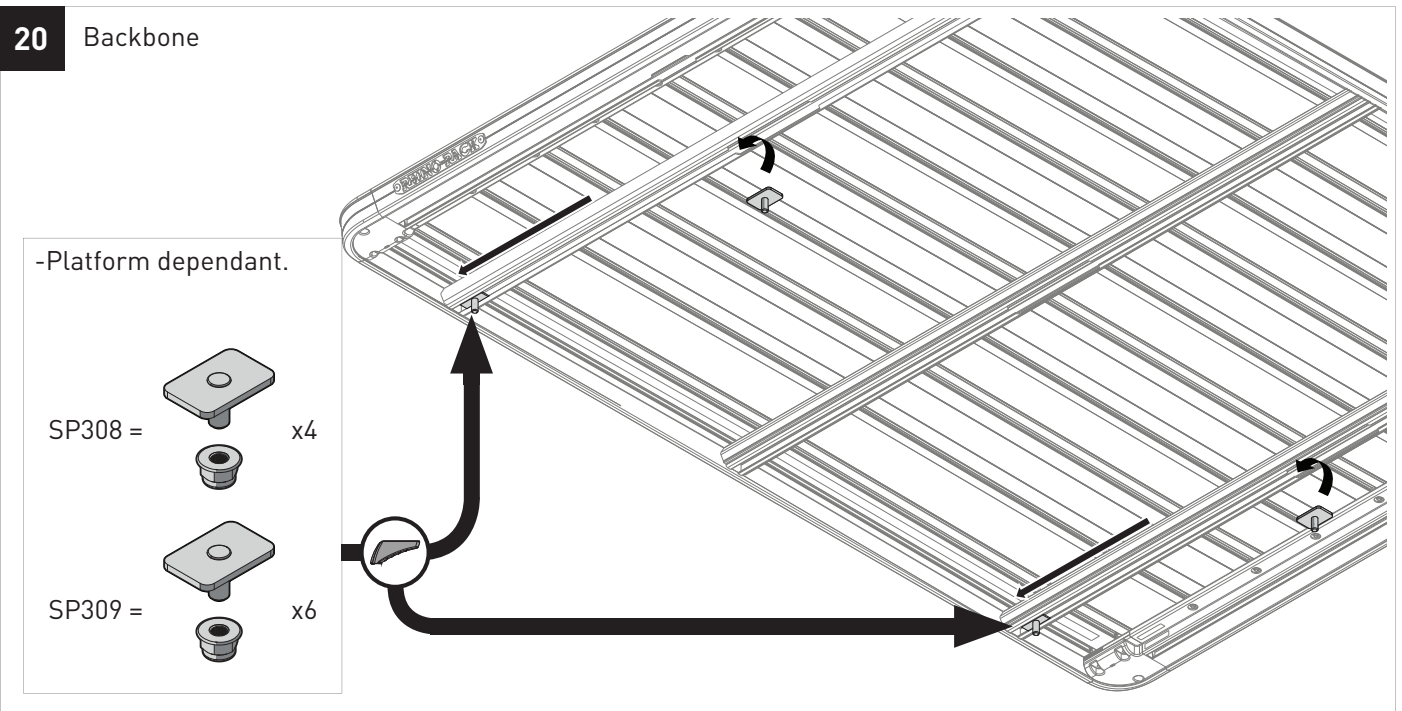


# Instructions

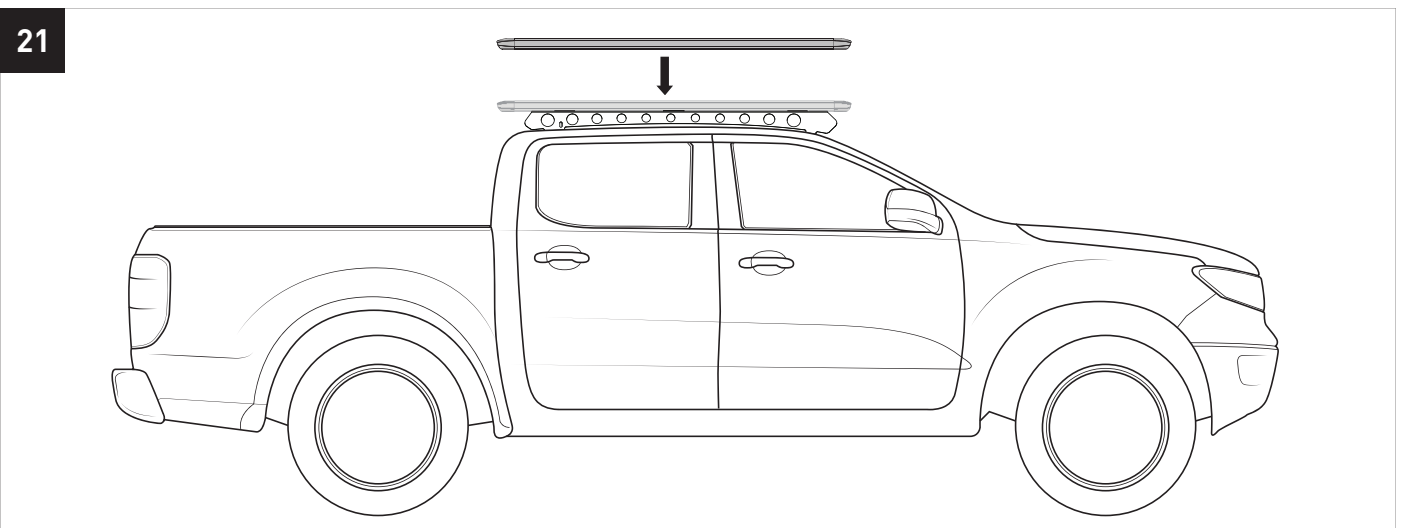
19



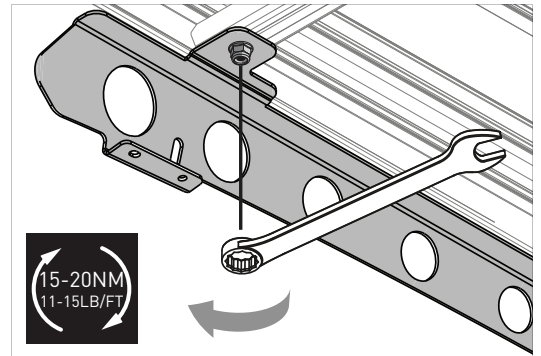
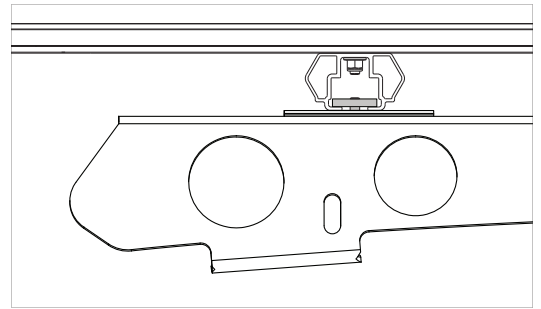
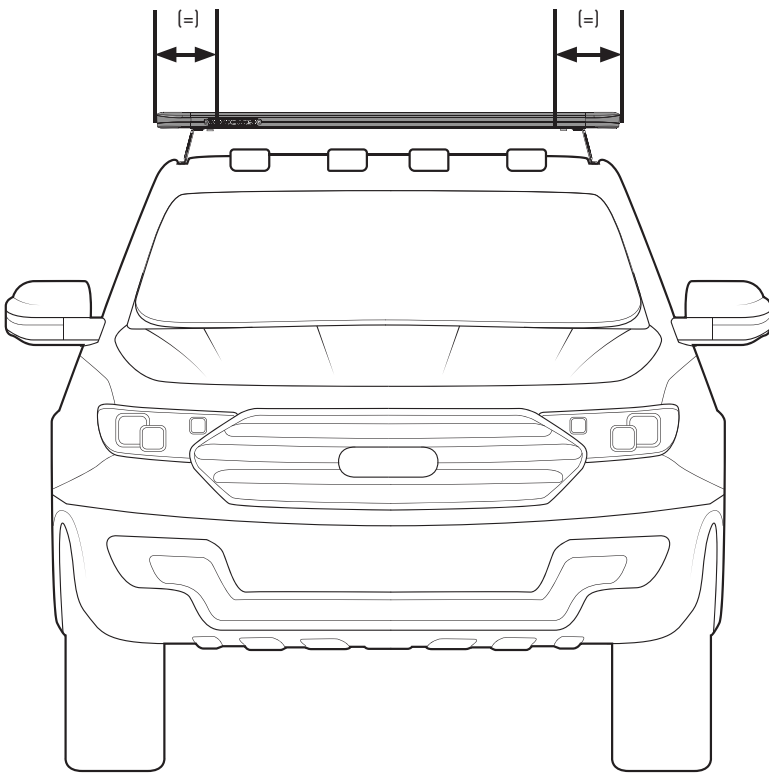
20 Backbone



21



22



Note

**RHINO-RACK**  
PIONEER ALLOY TRAY (assembled)

**Warnings:**

1. Do not use this tray on any vehicle that is not listed in the fitment chart.
2. Do not use this tray on any vehicle that is not listed in the fitment chart.
3. Do not use this tray on any vehicle that is not listed in the fitment chart.
4. Do not use this tray on any vehicle that is not listed in the fitment chart.

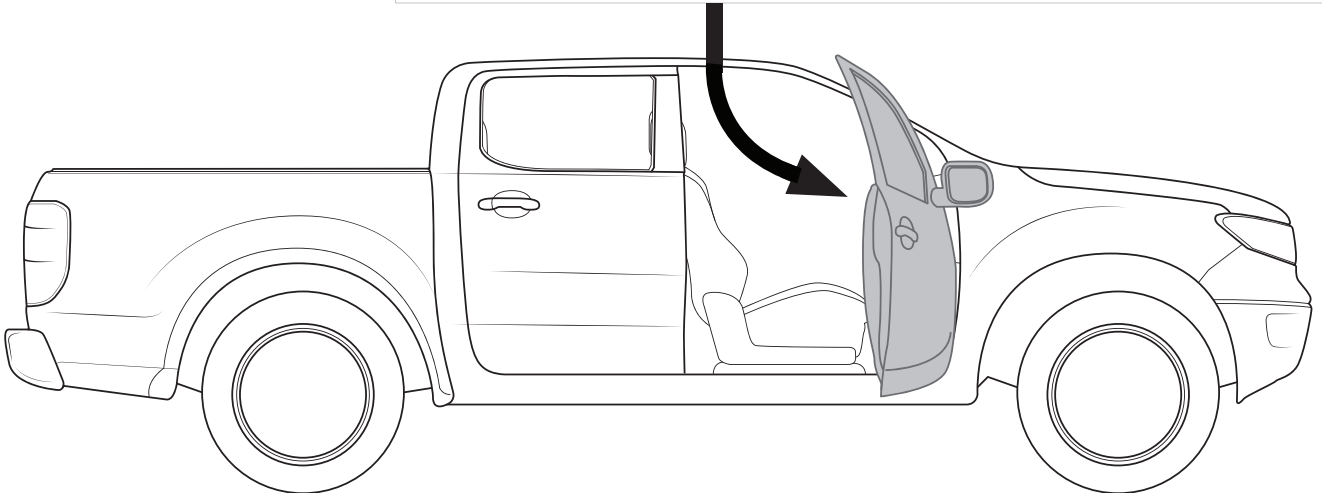
**Fitment Chart:**

**RHINO-RACK | PIONEER VEHICLE FITTING INFORMATION**

Vehicle	Year	Model	Tray Part Number
Subaru	2019-2020	Outback	RT100
Subaru	2019-2020	Forester	RT100
Subaru	2019-2020	SUV	RT100

**INSTALLER SPECIFICATIONS**

Part	Quantity	Part Number	Part Name
Tray	1	RT100	Pioneer Alloy Tray
Locking Pin	1	LP100	Locking Pin
Washer	1	W100	Washer
Nut	1	N100	Nut





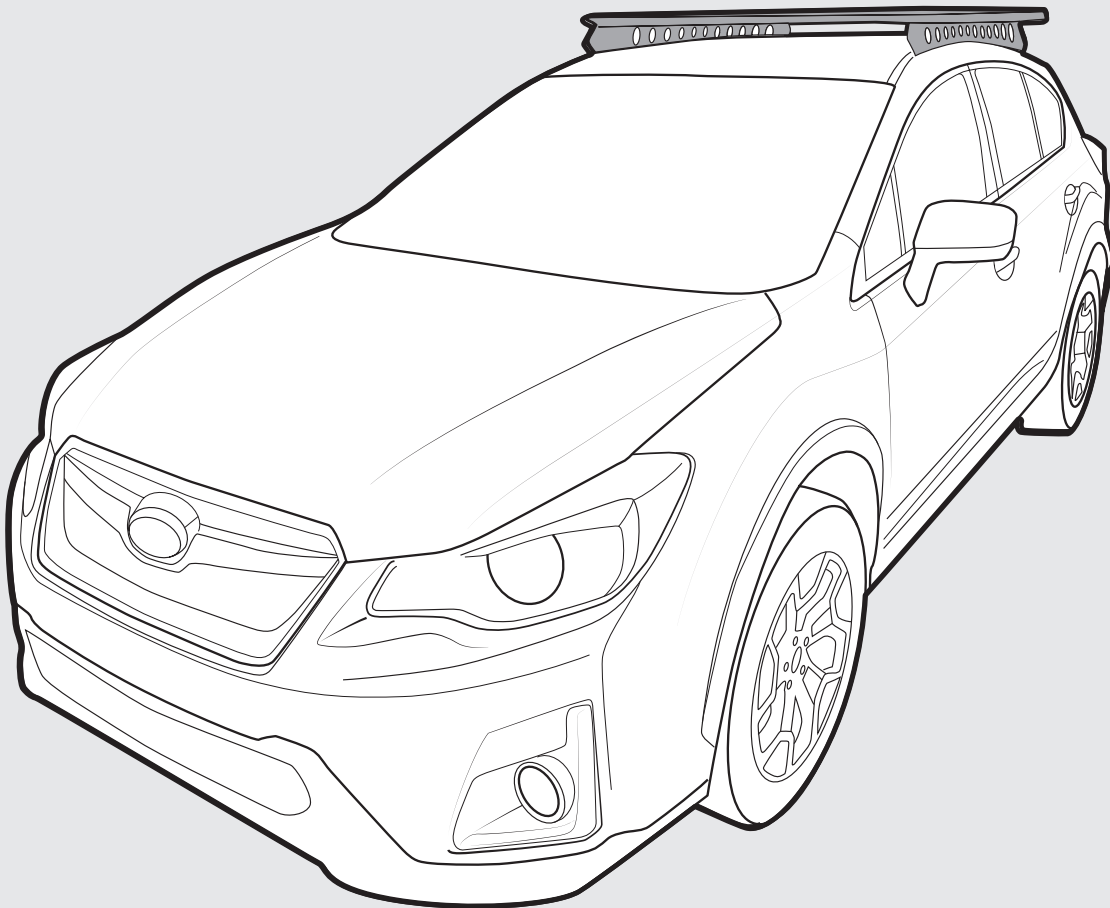
# RHINO-RACK®

## SUBARU CROSSTREK (XV) Gen 1 - RSCB1

**Important:**

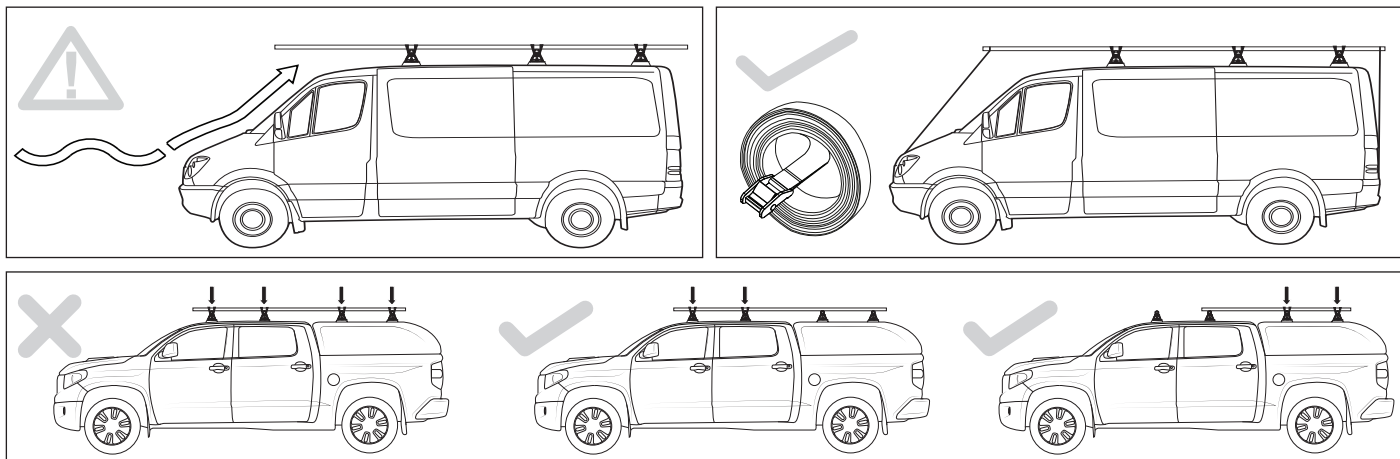
1. Check the Rhino-Rack website to ensure you have the latest issue of these instructions.
2. Please refer to your fitting instruction to ensure that the roof racks are installed in the correct locations.
3. Check the contents of kit before commencing fitment and report any discrepancies.
4. Place these instructions in the vehicle's glove box after installation is complete.
5. These instructions must be followed for warranty to be upheld.

**Fit Time:** 4 hours





## RSCB1 Instructions



ON ROAD CARGO ALLOWANCE (OR)	OFF ROAD CARGO ALLOWANCE (OFR)	VEHICLE ROOF LOAD LIMIT (VLL)	SYSTEM WEIGHT (SW)
$(OR) = (VLL) - (SW)$	$(OFR) = (OR) / 1.5$	Up to 68kg / 150lb [CHECK VEHICLE OWNERS HANDBOOK FOR SPECIFIC FIGURE].	8kg / 20lb + Platform

## Carrying Capacity

Check your vehicle owners hand book for vehicle maximum carrying capacity. Please ensure you use the vehicle manufactures maximum roof allowance if it is lower than the figure listed in this instruction.

Load must be evenly distributed over the system.

**Off Road:** Any driven path taken that does not contain a surface protection layer (tar/bitumen).

**Vehicle Load Limit:** Total permissible weight attached to the roof of the car. This is inclusive of the weight of the roof rack system.

**System Load Limit:** Total permissible weight allowed on top, and attached to roof racks whilst the vehicle is in motion.

## Torque Settings

Unless stated otherwise in these instructions, all fasteners should be set to the following torque settings - M6: 4-5Nm (3-4lbs/ft), M8: 8-10Nm (6-7.5lbs/ft) and M10: 16-18Nm (12-13lbs/ft).

## Warning

- Check part kit or kit number is correct for use with your vehicle.
- Do not attempt to fit the rack system to your vehicle unless you fully understand these fitting instructions. Please direct any questions regarding fitting to the dealer from where the roof racks were purchased.
- Although the system is tested and approved to AS1235-2000 / ISO 11154, off-road conditions can be much more rigorous. Extreme care must be taken in off road conditions.
- Roof racks must be removed when vehicle is put through an automatic car wash.
- With utility vehicles, the cabin and the canopy move independently. Roof racks and vehicle can be damaged if the item transported is rigidly fixed at points on both the cabin and canopy. Instead, rigidly fix to either the cabin roof racks or the canopy roof racks.
- Always ensure you fasten your load securely.
- Use only non-stretch fastening ropes or straps to attach cargo to your load.

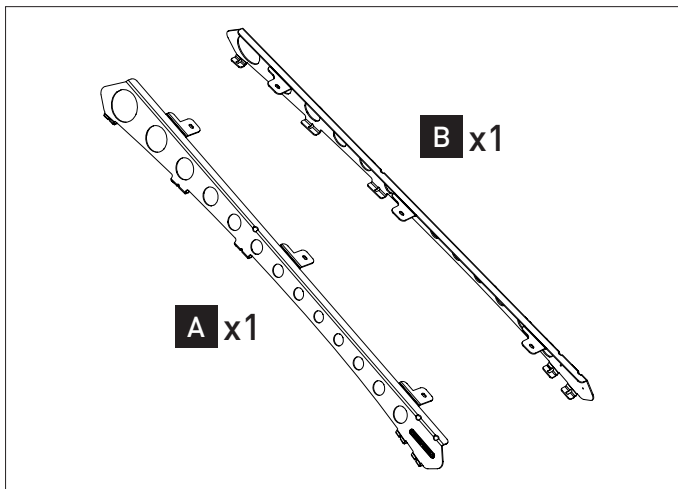
## In service maintenance checks

- All bolt connections should be checked after driving a short distance when you first install your roof racks.
- All bolted connections should be checked again at regular intervals (weekly is recommended, depending on road conditions, usage, loads and distances travelled).
- All bolted connections should be checked each time they are re-fitted.

## Note for Dealers and Fitters

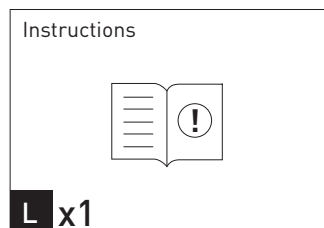
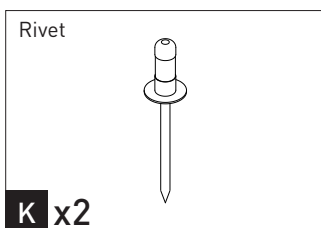
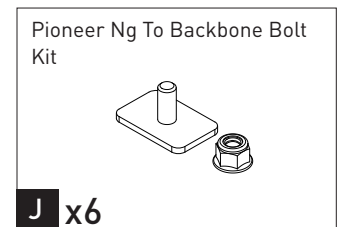
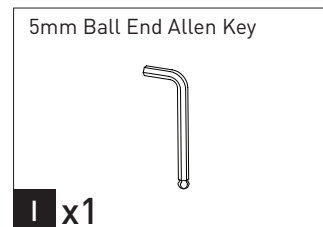
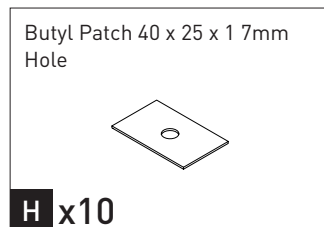
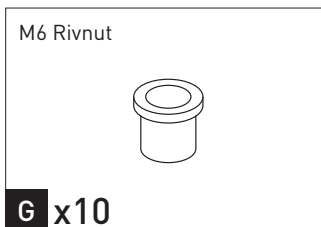
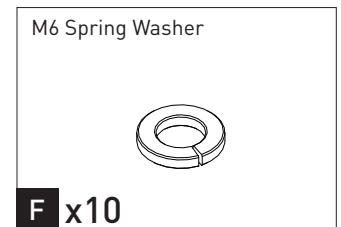
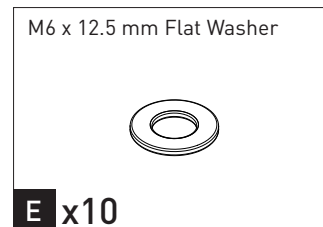
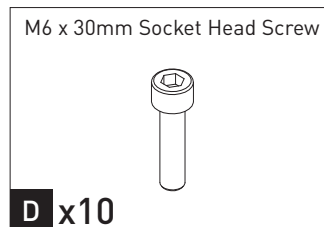
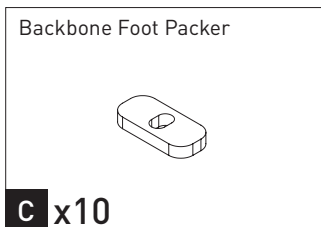
It is your responsibility to ensure these fitting instructions are given to the end user or client. These instructions remain the property of Rhino-Rack Australia Pty. Ltd. and may not be used or changed for any other purpose than intended.

## Parts List



## Tools Required:

- T1 - Flat Head Screw Driver
- T2 - Trim Removal Tool
- T3 - Phillips Head Screw Driver
- T4 - 8mm Socket
- T5 - Rivnut Gun
- T6 - 13mm Socket Wrench
- T7 - Drill
- T8 - Drill Stop
- T9 - 9mm Drill Bit
- T10 - Butyle mastic
- T11 - Rivet Gun
- T12 - Vacuum
- T13 - Cotton bud & Cold Galvanising Paint
- T14 - Socket Extension



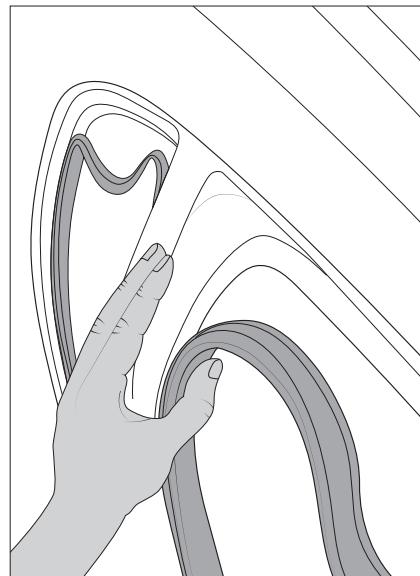
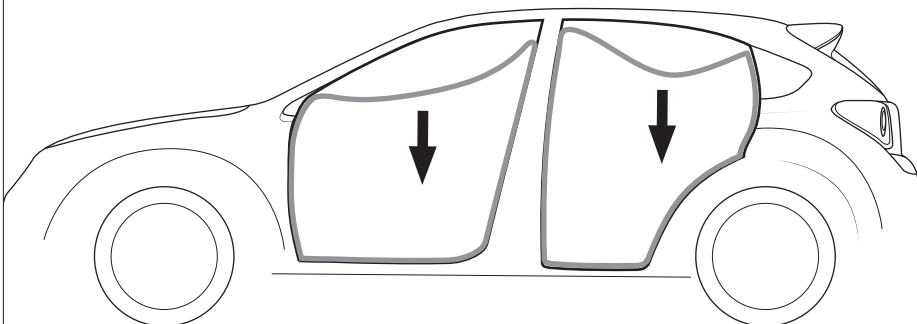
## WARNING

Do not fully lower the interior roof lining to prevent interference with the Subaru EyeSight Driver Assist Technology, if fitted.

Follow these instructions carefully, lowering the roof lining only at the sides and rear, to gain access to the roof rail attachment hardware.

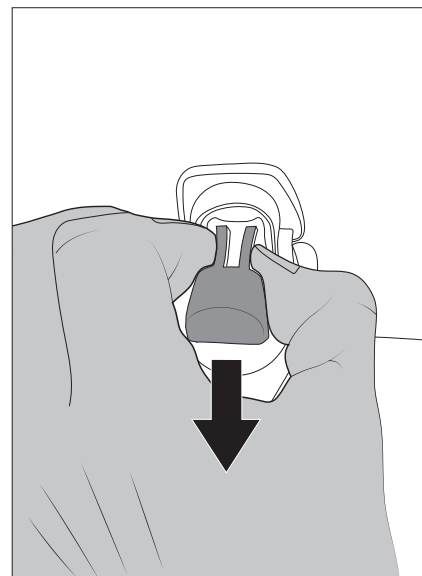
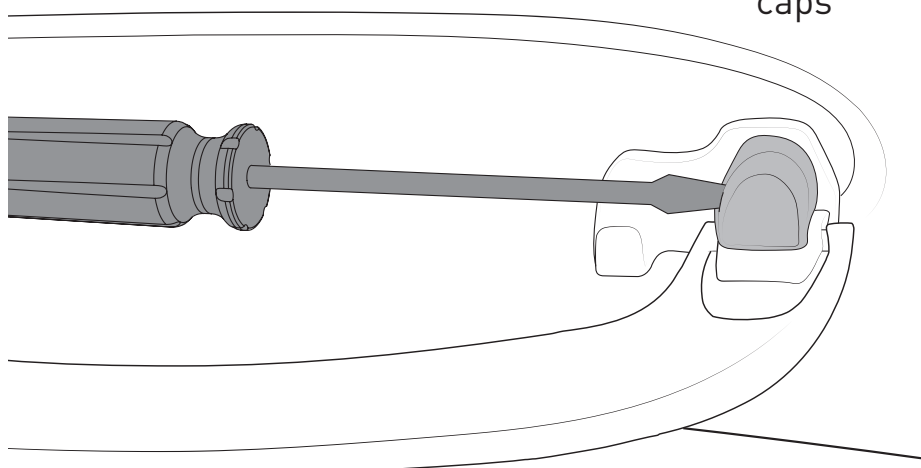
# RSCB1 Instructions

1

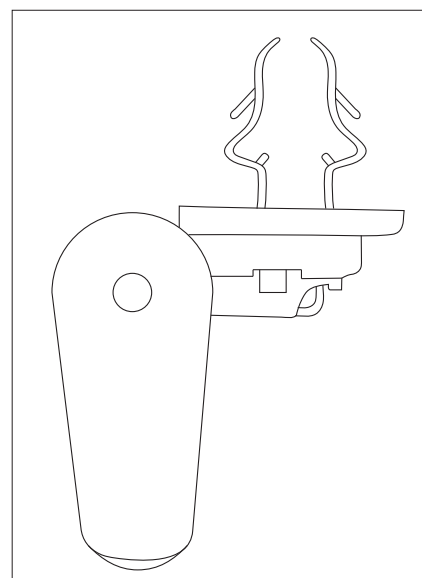
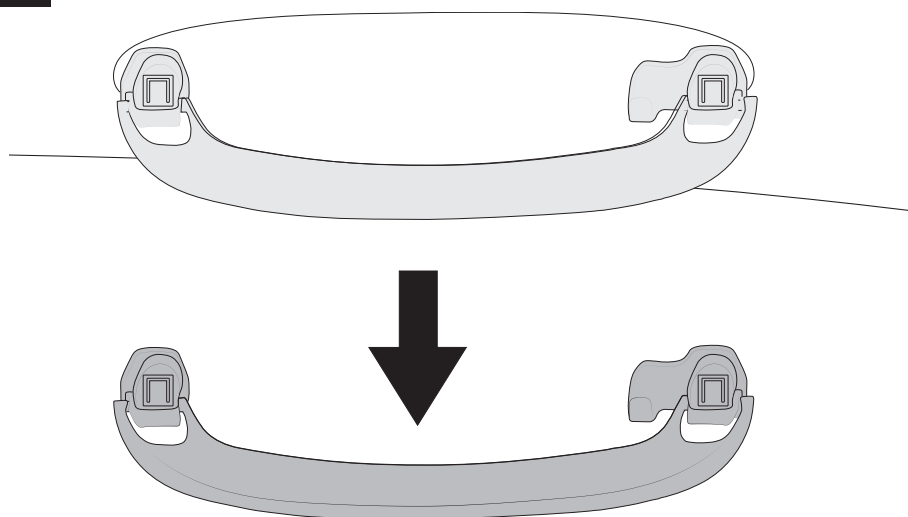


2

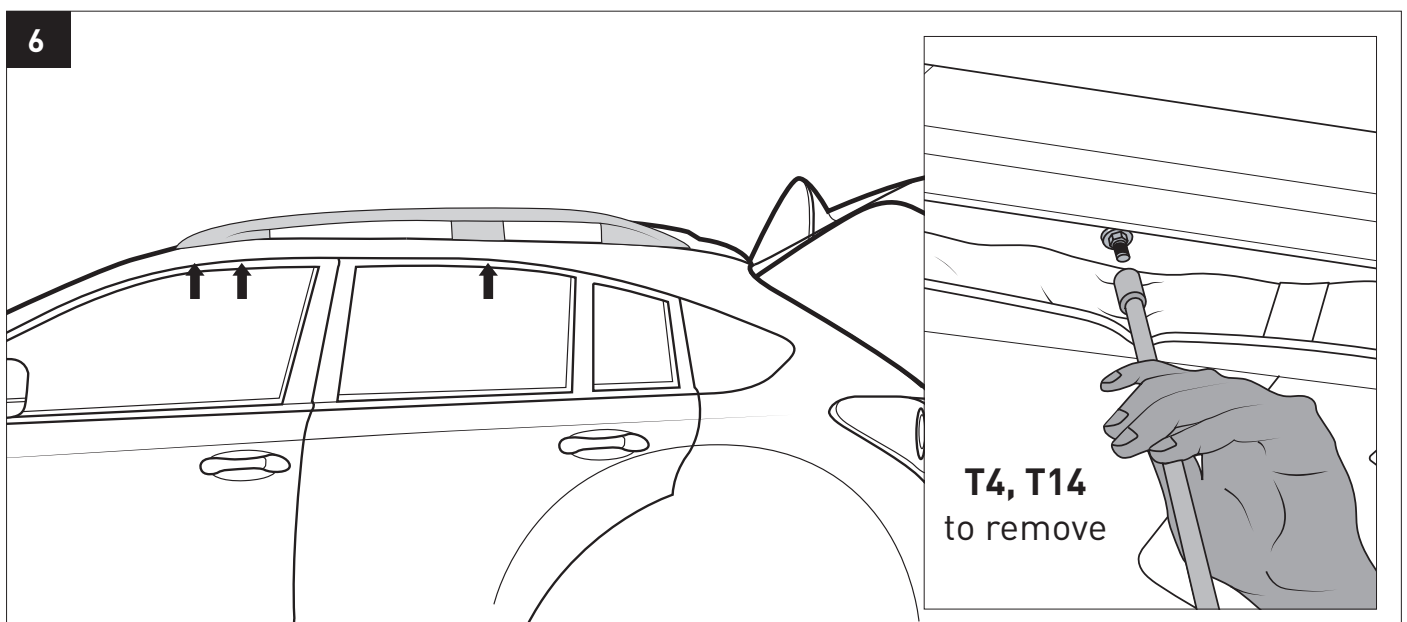
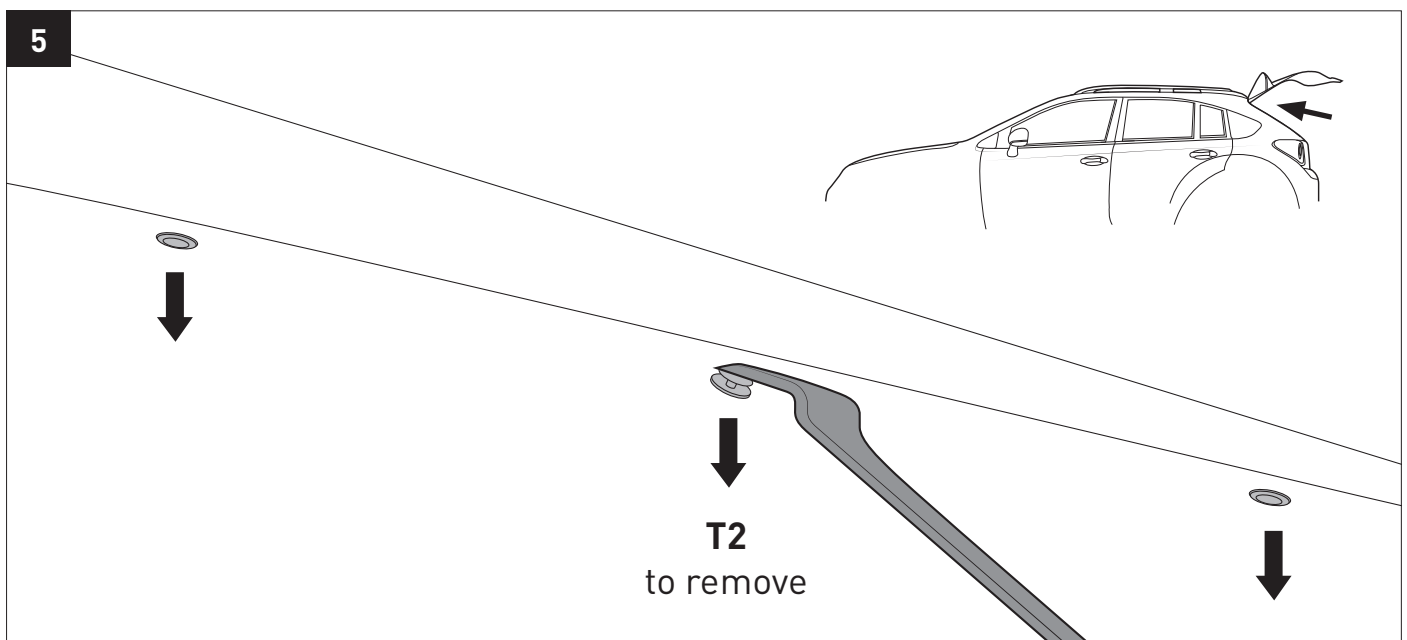
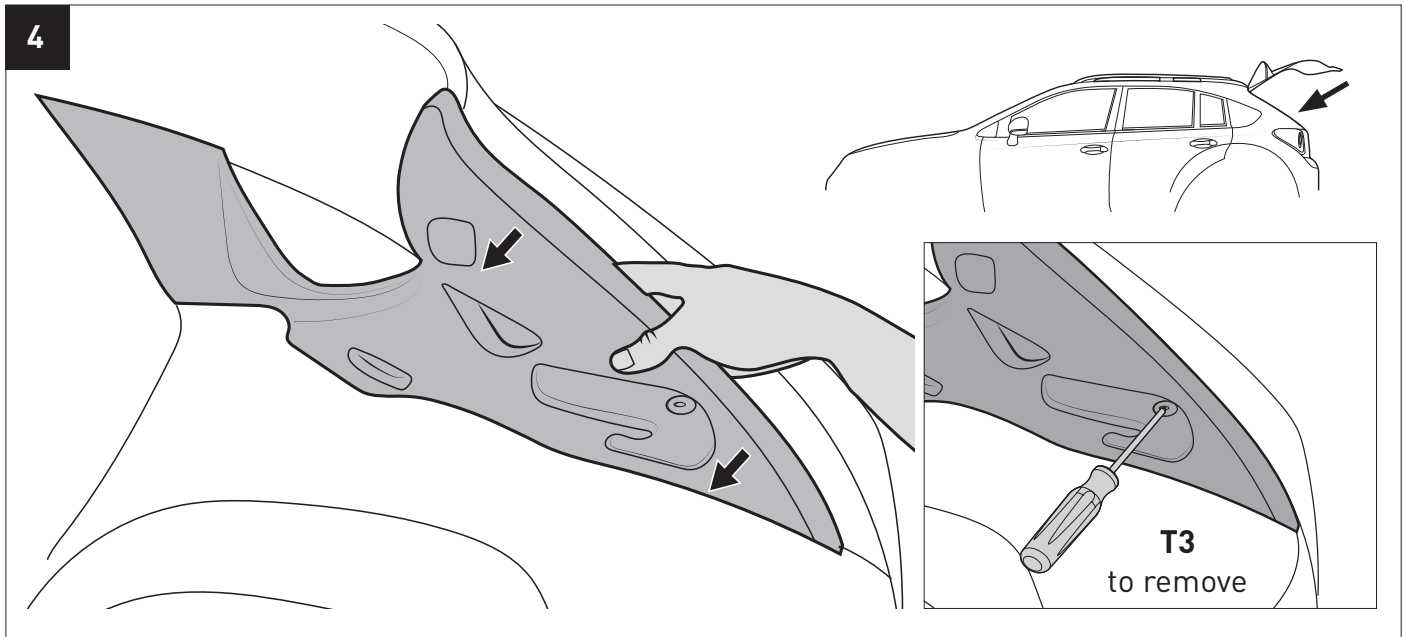
**T1**  
to remove all  
caps

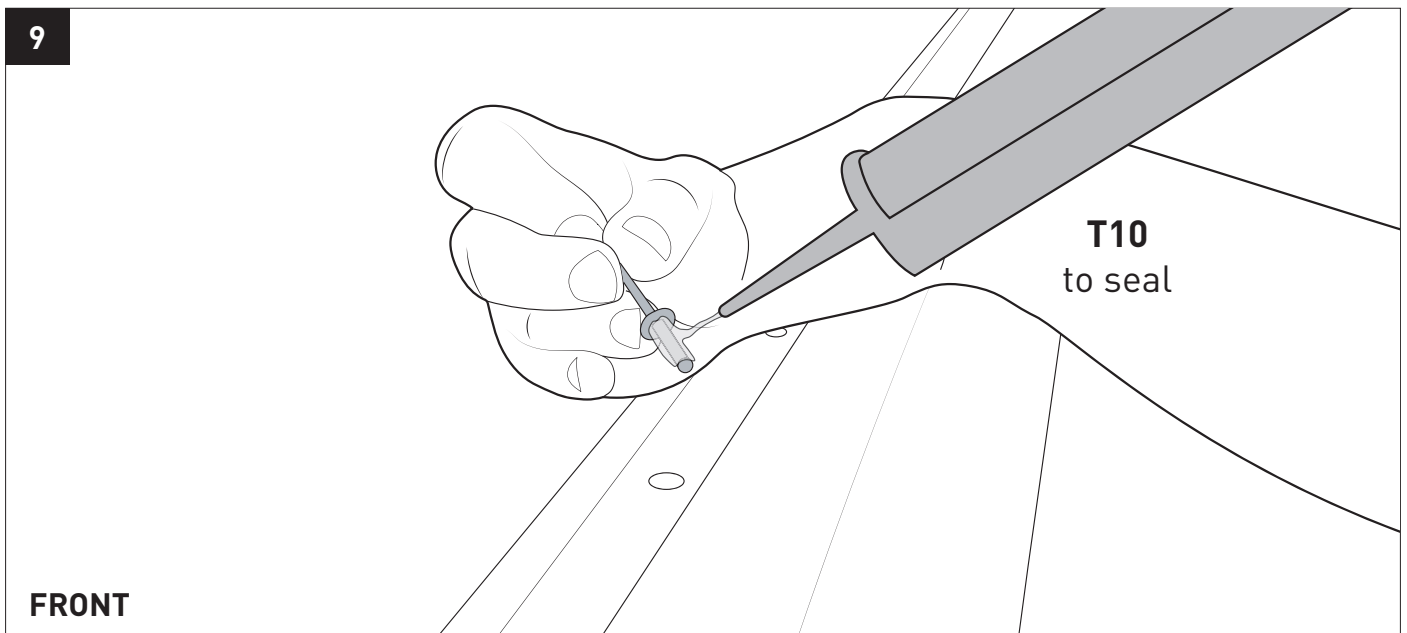
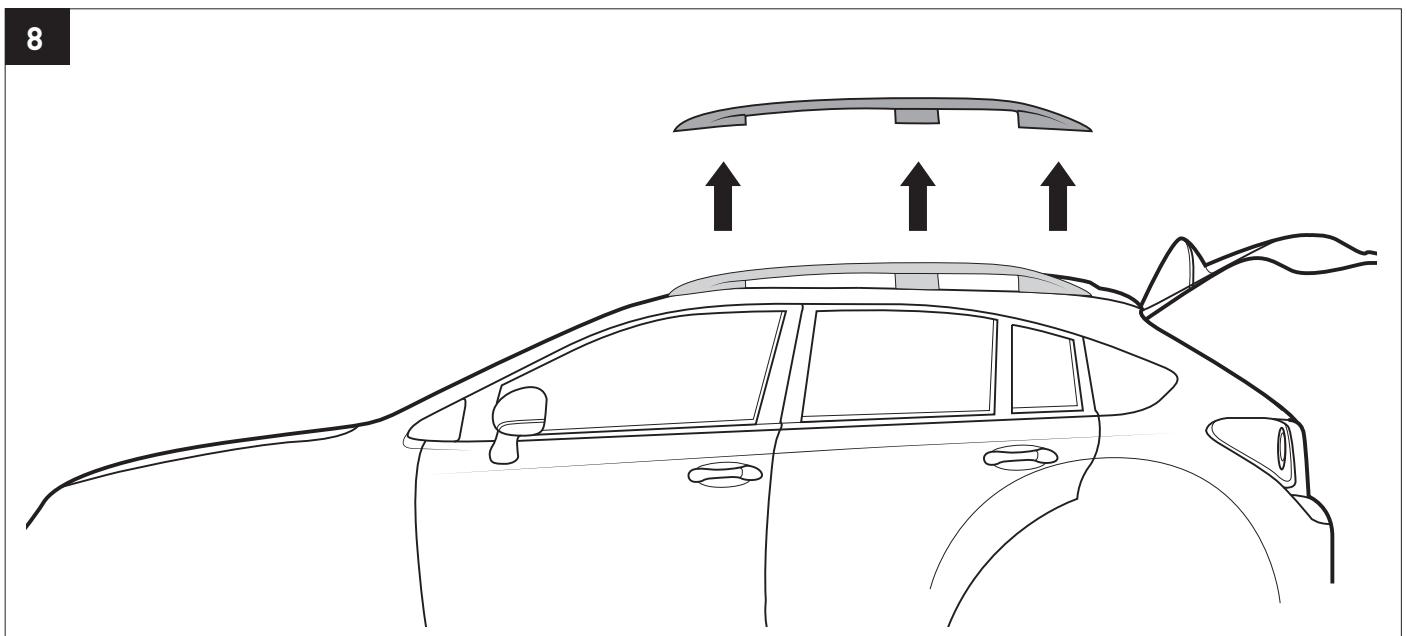
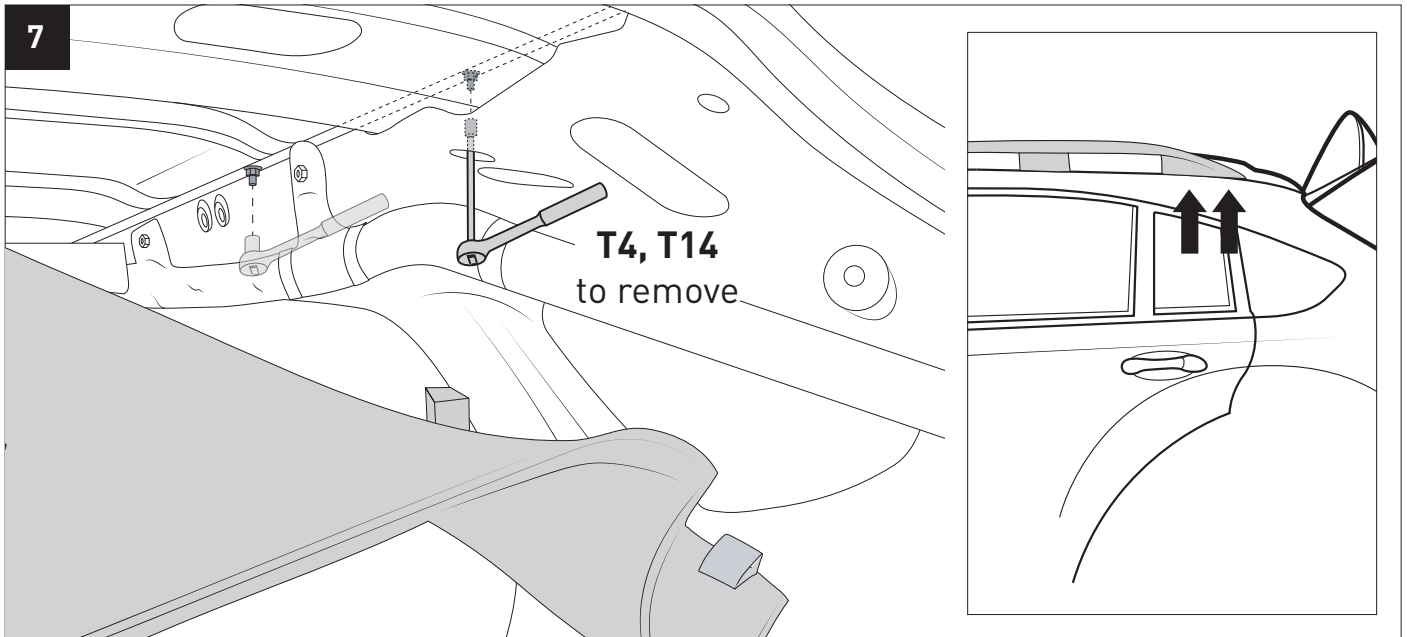


3



# RSCB1 Instructions





10

T11

K

3rd

FRONT

11

NOTE: Allow the drill bit to cool down between holes drilled.

T7

T9

T8

T9

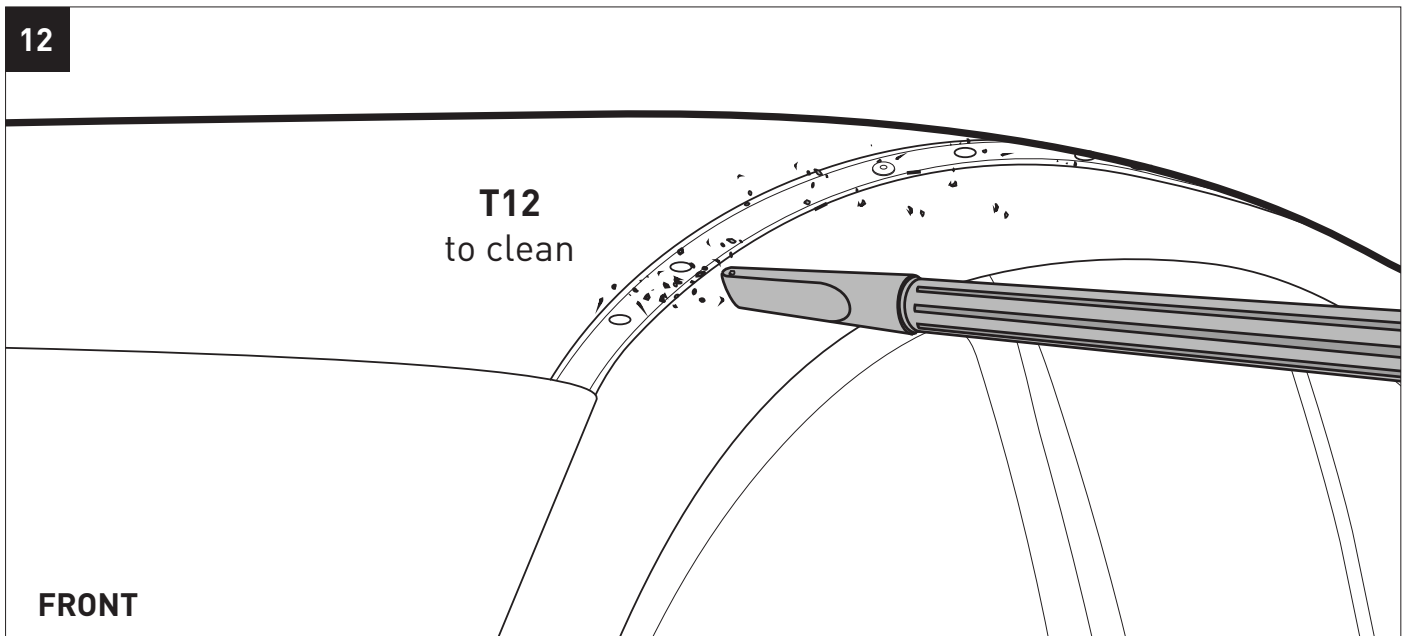
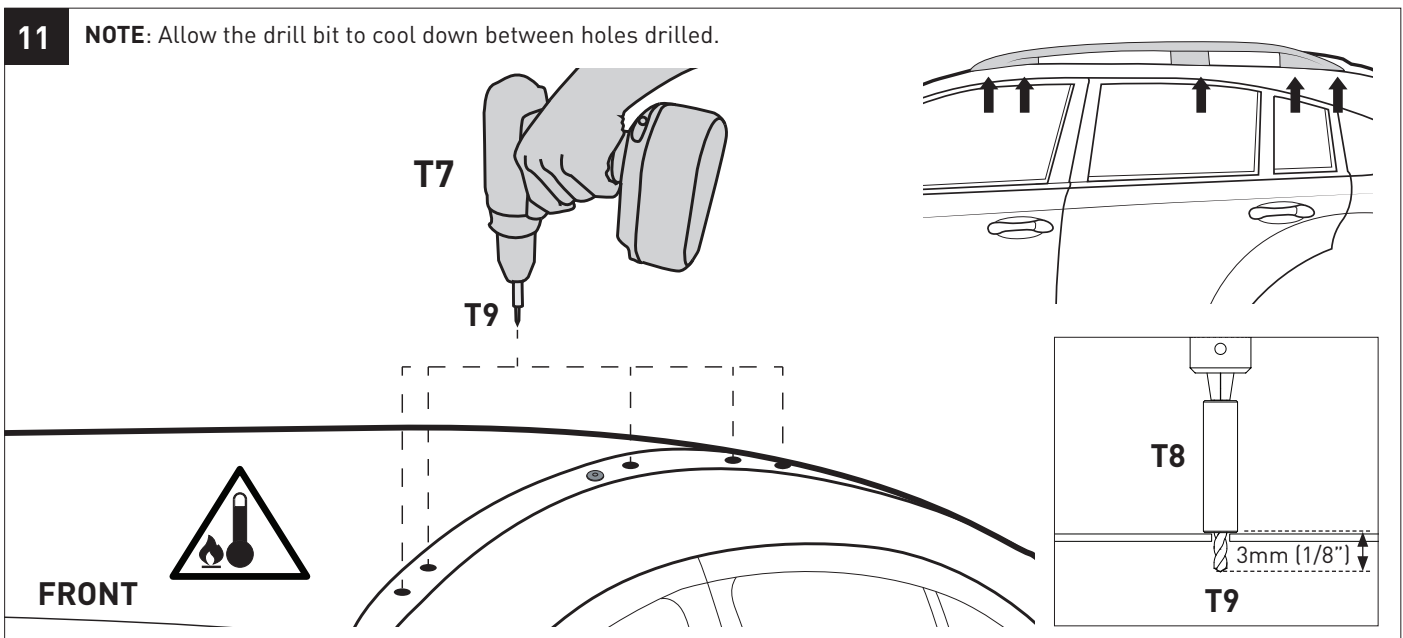
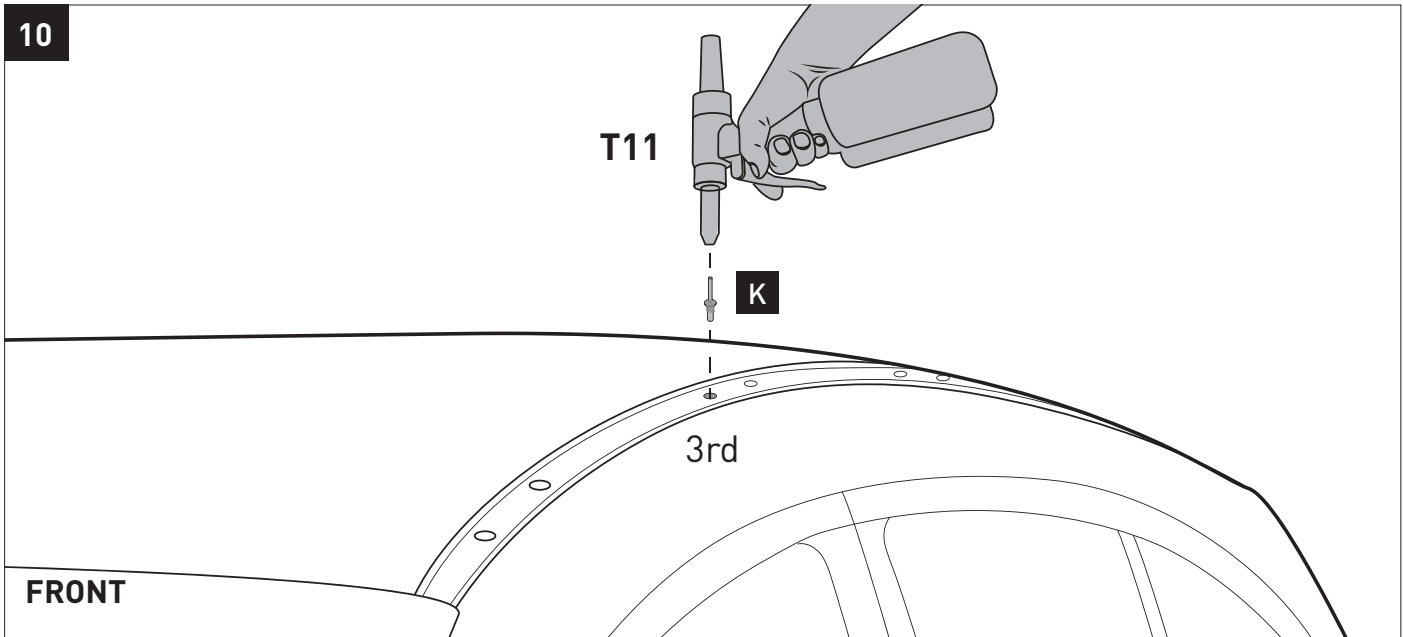
3mm (1/8")

FRONT

12

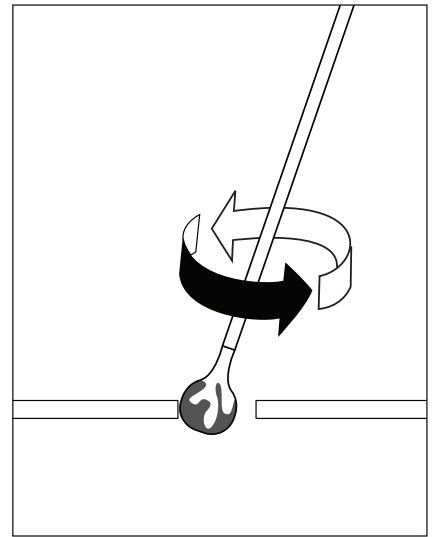
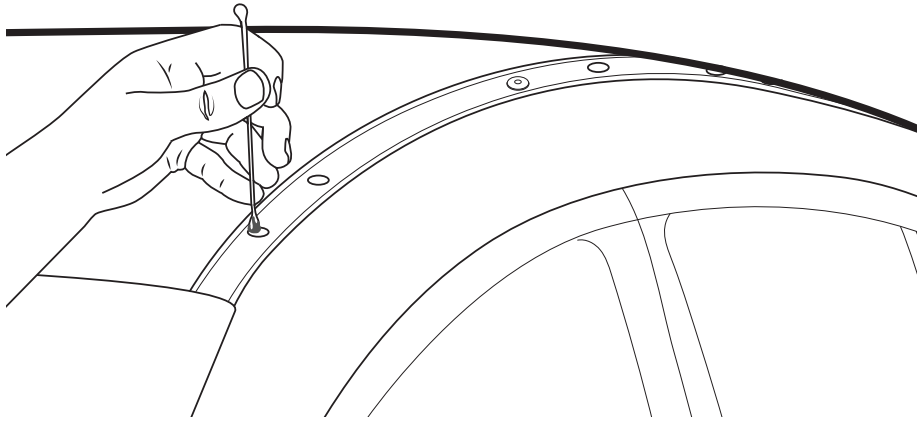
T12  
to clean

FRONT



13

**T13**  
to cold gal paint  
all drill holes



14

**T5**

**G**

**G**

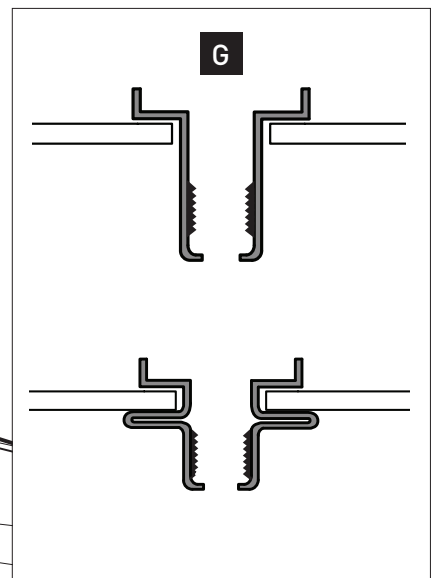
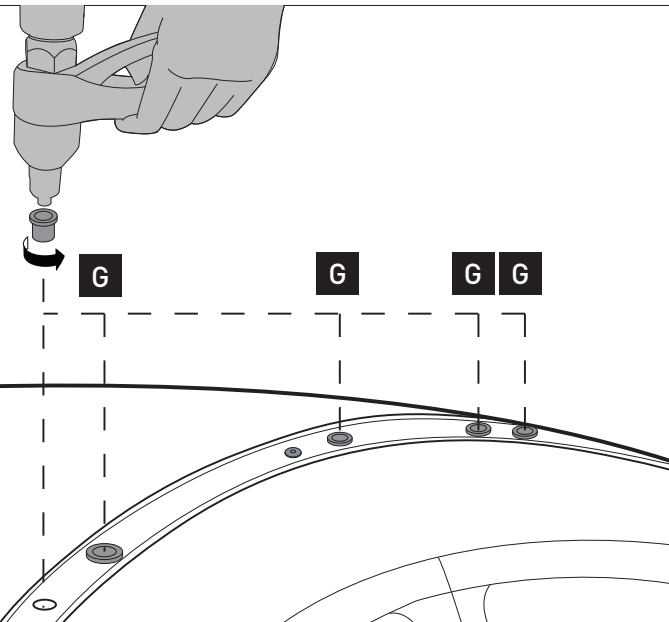
**G**

**G**

**G**

**G**

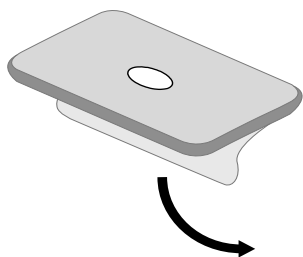
FRONT



15

15a

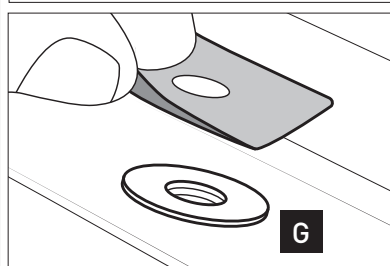
**H**



15b

**H**

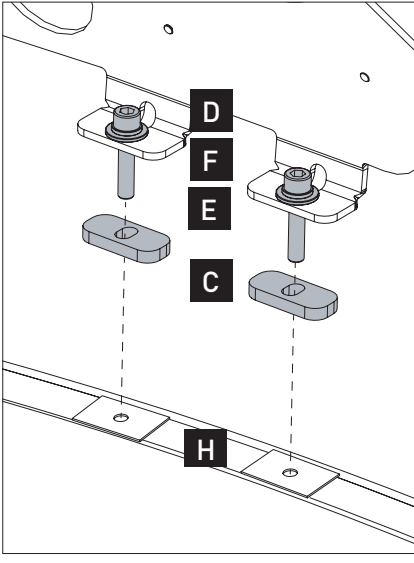
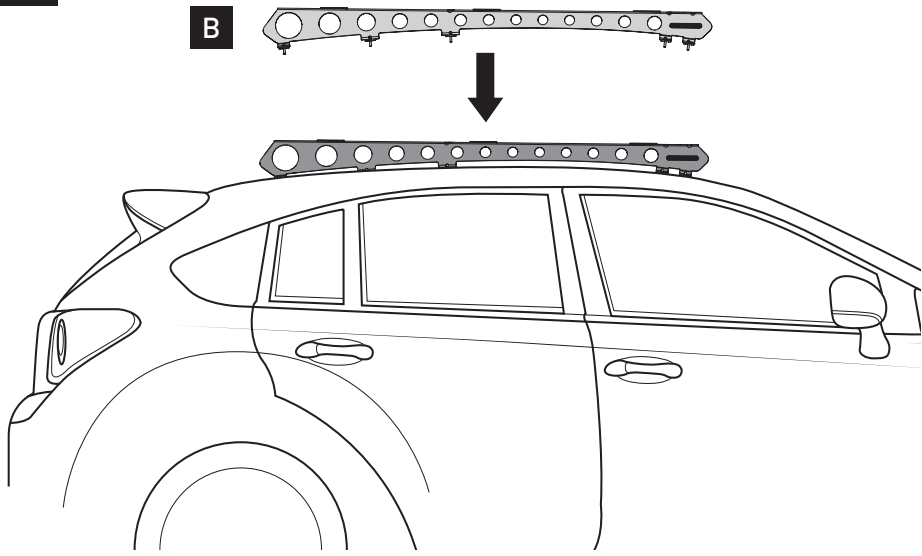
**G**



15c

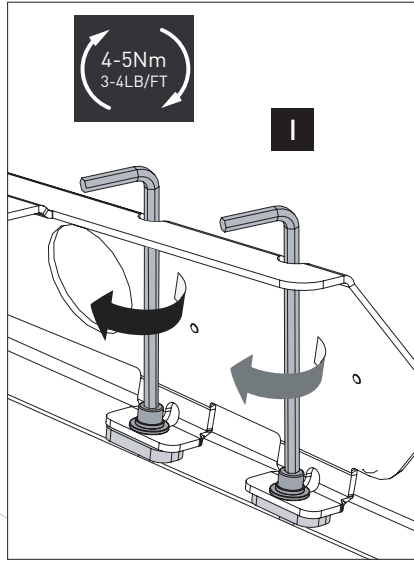
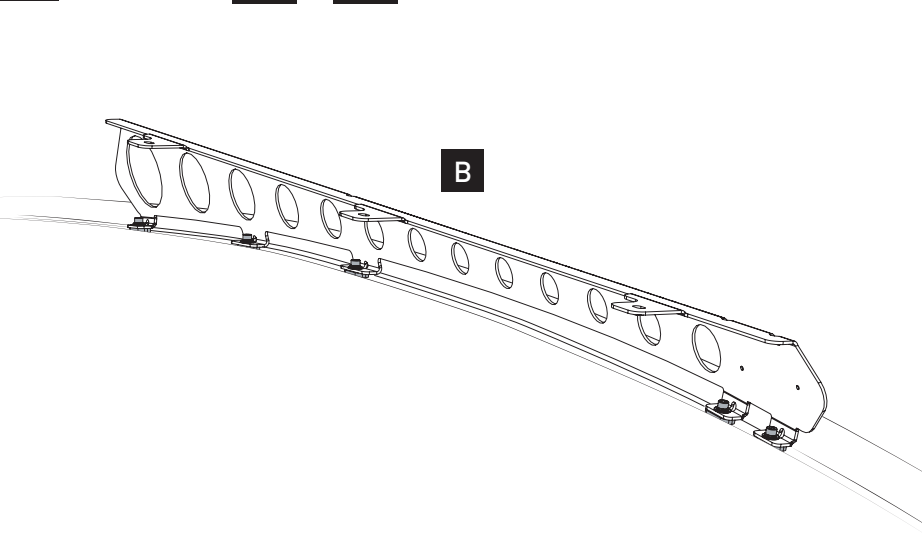


16

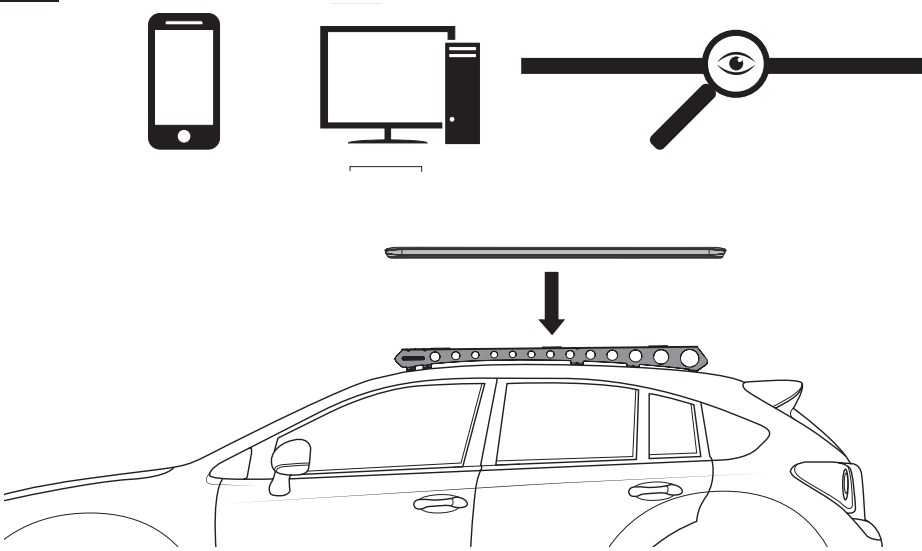


17

Repeat steps 6 - 17 to opposite side of vehicle



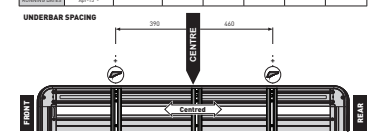
18



Example

REHINO-RACK PIONEER NG - VEHICLE FITTING INFORMATION  
S2101B / S2101BF

VEHICLE	CONNECTOR	IMPORTANT NOTES				
TOYOTA Land Cruiser 40/70R Double Cab	BL100111					
Vehicle Load Class	System Weight	On-Road Cargo Allowance				
100	100	100				
AWG	NZ	USA	CA	EU	SA	ZA
x	x	x	x	x	x	x





## RSCB1 Instructions

19

Repeat for the six tabs on top of the backbone rails (3 each rail).

