



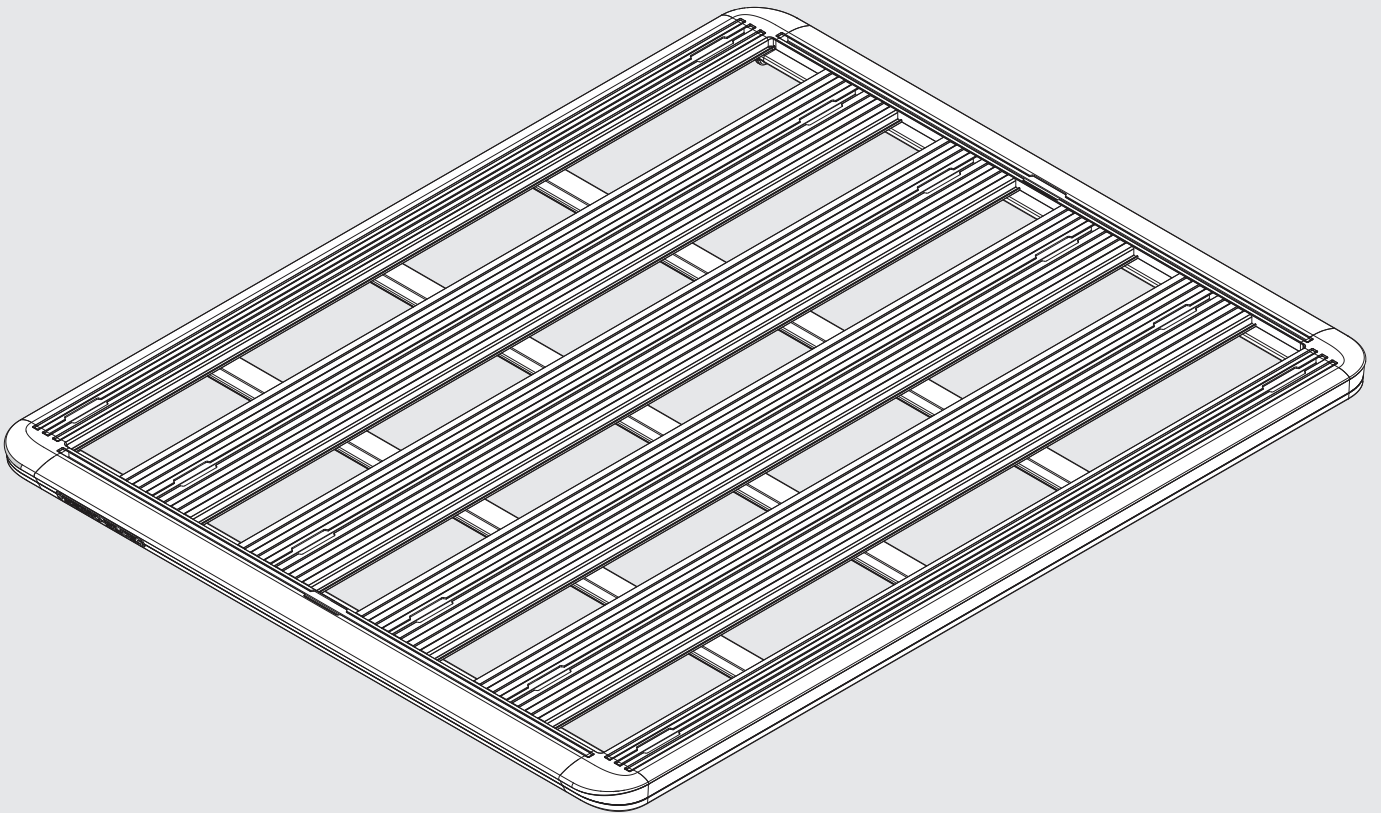
RHINO-RACK®

PIONEER ALLOY TRAY (flat pack)

Important:

1. Check the Rhino-Rack website to ensure you have the latest issue of these instructions.
2. Please refer to your fitting instruction to ensure that the roof racks are installed in the correct locations.
3. Check the contents of kit before commencing fitment and report any discrepancies.
4. Place these instructions in the vehicle's glove box after installation is complete.
5. These instructions must be followed for warranty to be upheld.

Fit Time: 1 hour



Instructions - Instrucciones

Carrying Capacity

Max system load capacity (incl. system weight), refer to Pioneer fit sheet.

Check your vehicle owners hand book for vehicle maximum carrying capacity. Please ensure you use the vehicle manufacturers maximum roof allowance if it is lower than the figure listed in this instruction.

Load must be evenly distributed over the system.

Off Road: Any driven path taken that does not contain a surface protection layer (tar/bitumen).

Vehicle Load Limit: Total permissible weight attached to the roof of the car. This is inclusive of the weight of the roof rack system.

System Load Limit: Total permissible weight allowed on top, and attached to roof racks whilst the vehicle is in motion.

Torque Settings

Unless stated otherwise in these instructions, all fasteners should be set to the following torque settings - M6: 4-5Nm (3-4lbs/ft), M8: 8-10Nm (6-7.5lbs/ft) and M10: 16-18Nm (12-13lbs/ft).

Warning

- Check part number or kit is correct for use with your vehicle.
- Do not attempt to fit the rack system to your vehicle unless you fully understand these fitting instructions. Please direct any questions regarding fitting to the dealer from where the roof racks were purchased.
- Although the system is tested and approved to AS1235-2000 / ISO 11154, off-road conditions can be much more rigorous. Extreme care must be taken in off road conditions.
- Roof racks must be removed when vehicle is put through an automatic car wash.
- With utility vehicles, the cabin and the canopy move independently. Roofracks and vehicle can be damaged if the item transported is rigidly fixed at points on both the cabin and canopy. Instead, rigidly fix to either the cabin roof racks or the canopy roof racks.
- Always ensure you fasten your load securely.
- Use only non-stretch fastening ropes or straps to attach cargo to your load.

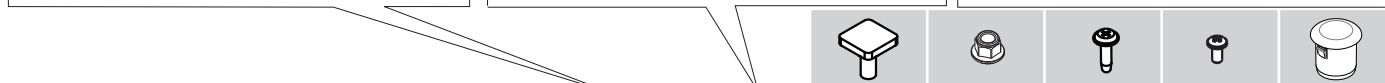
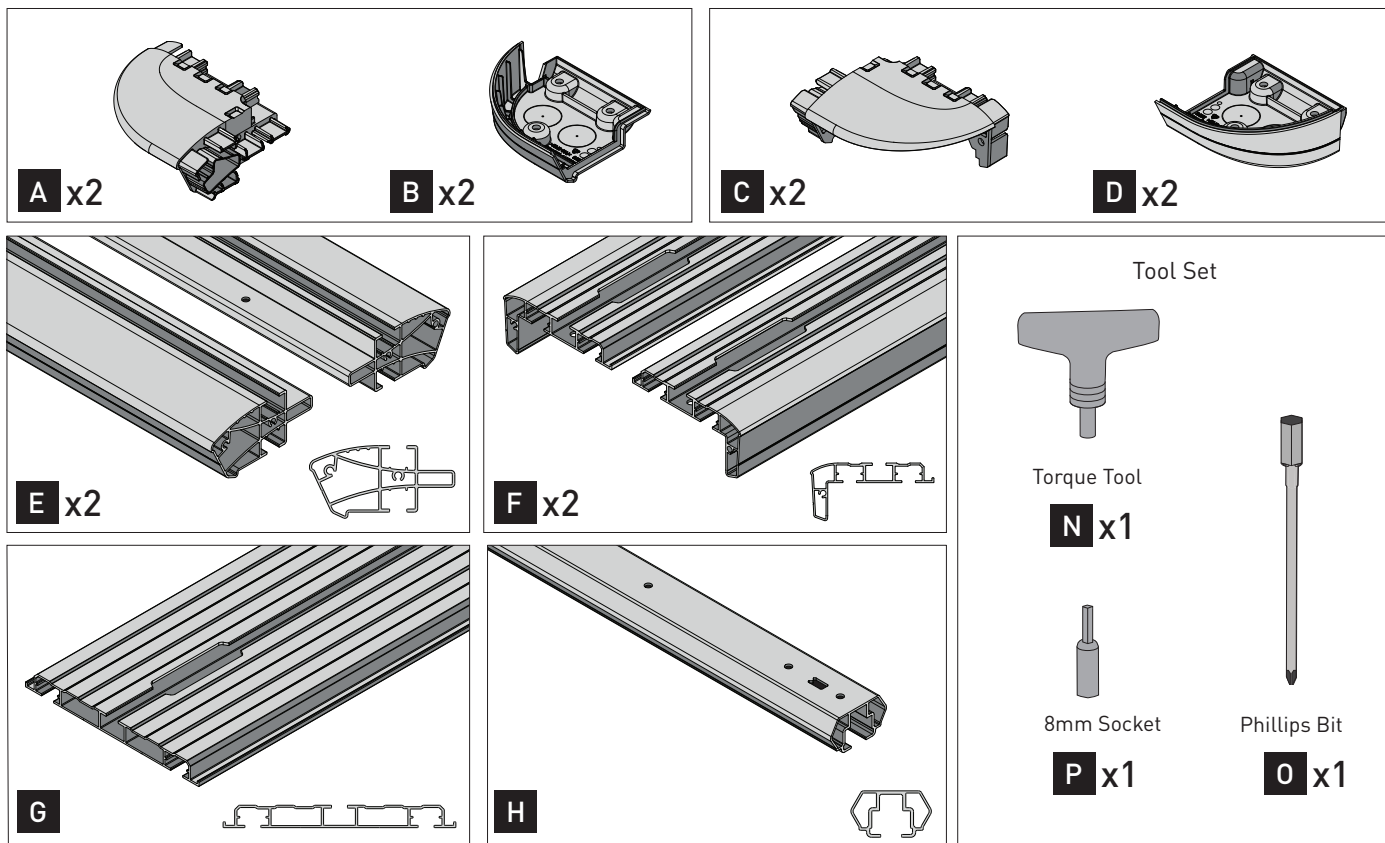
In service maintenance checks

- All bolted connections should be checked after driving a short distance when you first install your roof racks.
- All bolted connections should be checked again at regular intervals (weekly is recommended, depending on road conditions, usage, loads and distances travelled).
- All bolted connections should be checked each time they are re-fitted.

Note for Dealers and Fitters

It is your responsibility to ensure these fitting instructions are given to the end user or client. These instructions remain the property of Rhino-Rack Australia Pty. Ltd. and may not be used or changed for any other purpose than intended.

Instructions



Platform #	L x W (mm)	L x W (inches)	G	H	I	J	K	L	M
52100	1528 x 1236	60' x 49'	4	3	52	52	12	16	6
52101	1528 x 1376	60' x 54'	5	3	62	62	12	16	6
52102	1928 x 1236	76' x 49'	4	5	76	76	12	16	6
52103	1928 x 1376	76' x 54'	5	5	90	90	12	16	6
52104	2128 x 1426	84' x 56'	5	5	90	90	12	16	N/A
52105	2728 x 1465	107' x 58'	5	6	104	104	12	16	N/A
52107	2128 x 1236	84' x 49'	4	5	76	76	12	16	N/A
52108	1828 x 1426	72' x 56'	5	5	90	90	12	16	N/A
52109	1328 x 1236	52' x 49'	4	3	52	52	12	16	N/A
52110	1328 x 1376	52' x 54'	5	3	62	62	12	16	N/A
52111	1328 x 1426	52' x 56'	5	3	62	62	12	16	N/A
52112	928 x 1426	37' x 56'	5	2	48	48	12	16	N/A
52113	1528 x 1426	60' x 56'	5	3	90	90	12	16	N/A
52114	1228 x 952	48' x 37'	3	1	22	22	12	16	N/A
52115	1478 x 1184	58' x 47'	4	1	28	28	12	16	N/A
52119	2528 x 1586	100' x 62'	5	6	104	104	12	16	N/A
52120	1528 x 1586	60' x 62'	5	3	62	62	12	16	N/A
52121	1228 x 1426	48' x 56'	5	3	62	62	12	16	N/A

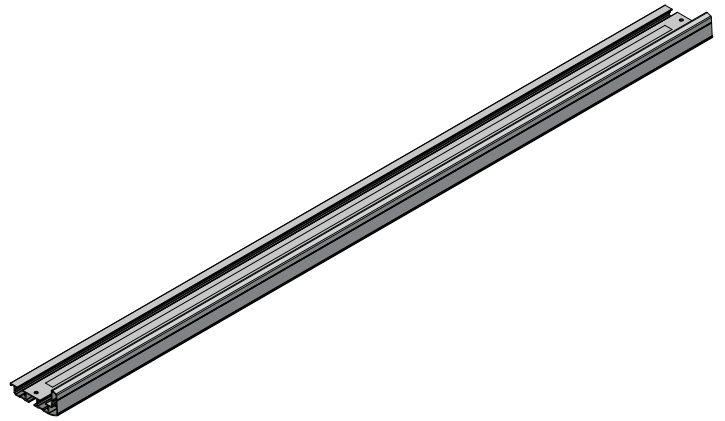
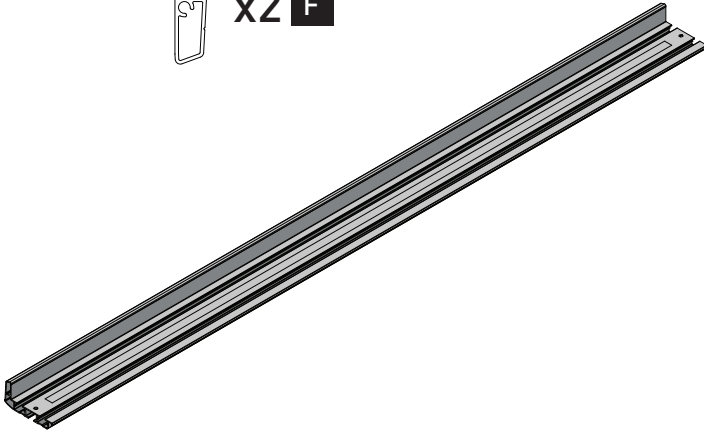
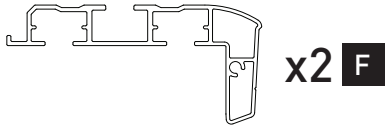
Tools required:

Herramientas necesarias:

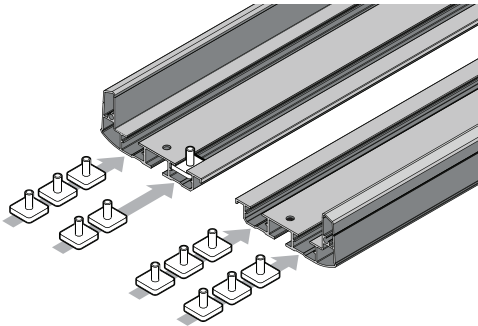
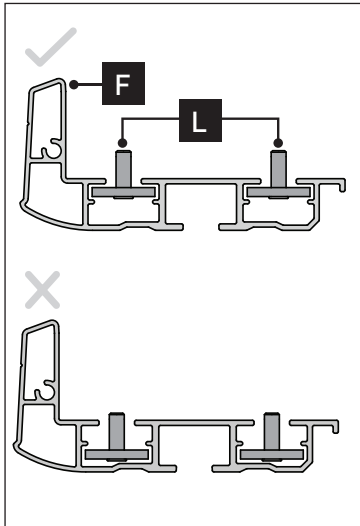
T1 - Phillips head screwdriver.

T2 - Power drill.

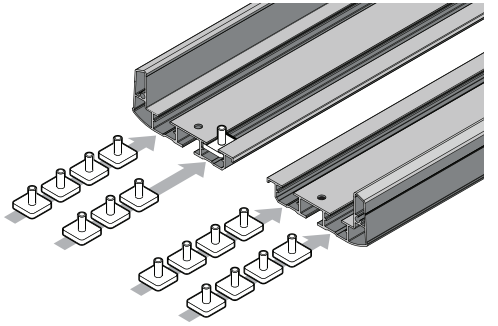
Instructions



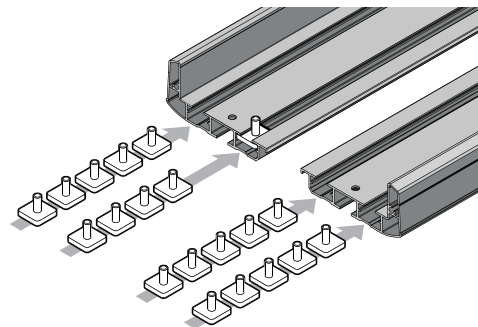
1



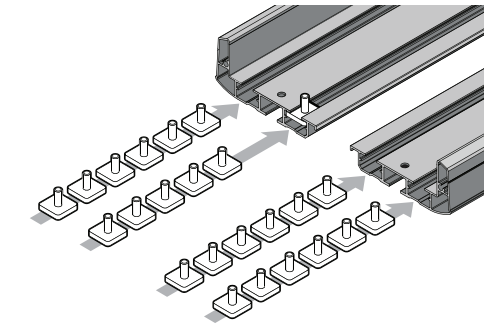
H **I**
x3 = x12



H **I**
x4 = x16

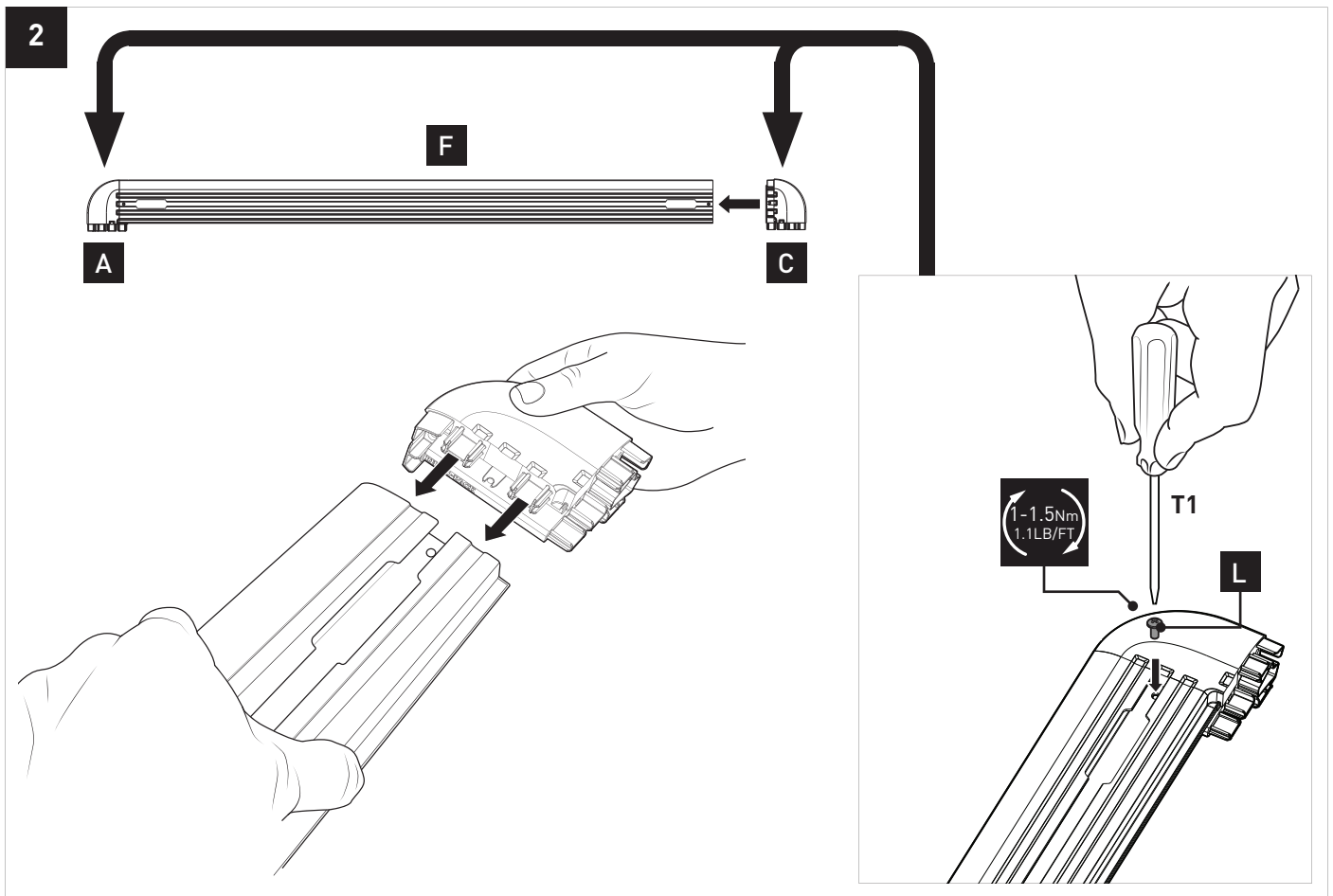


H **I**
x5 = x20

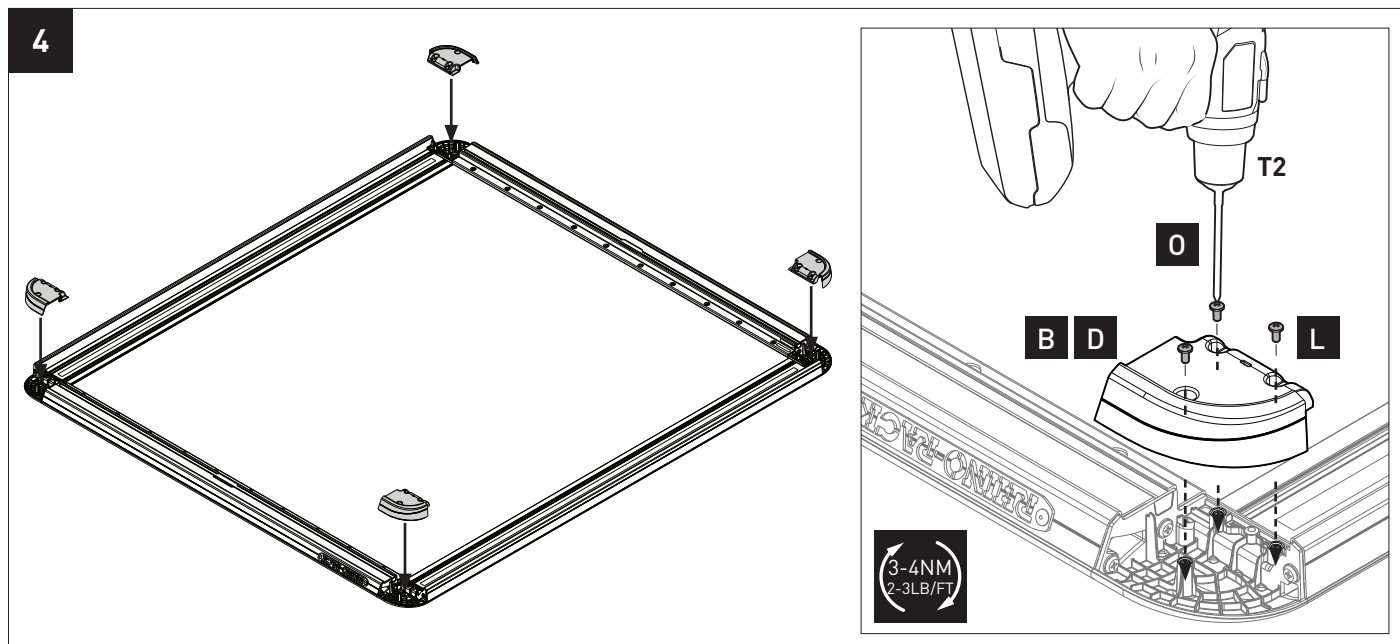
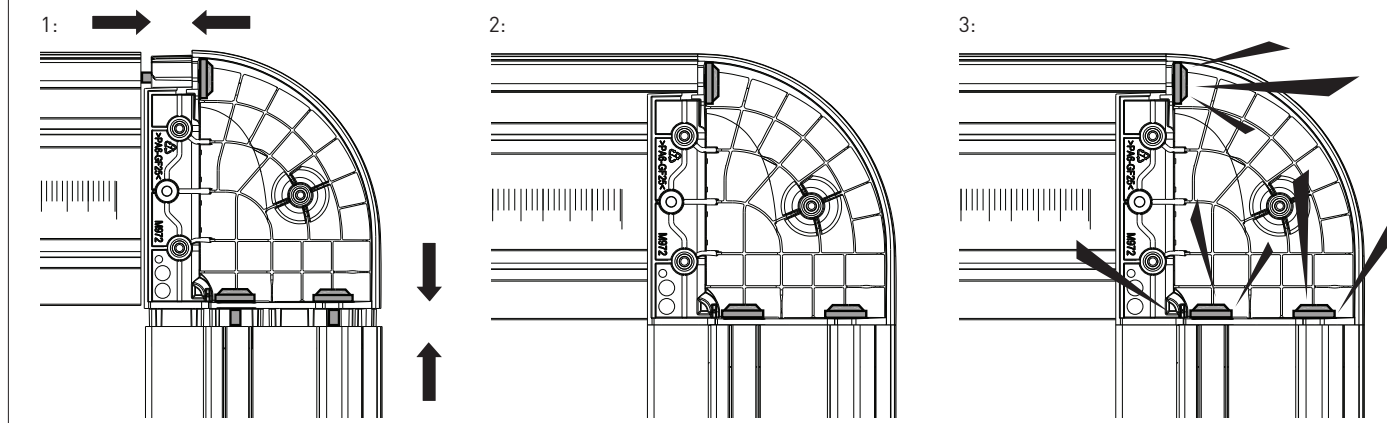
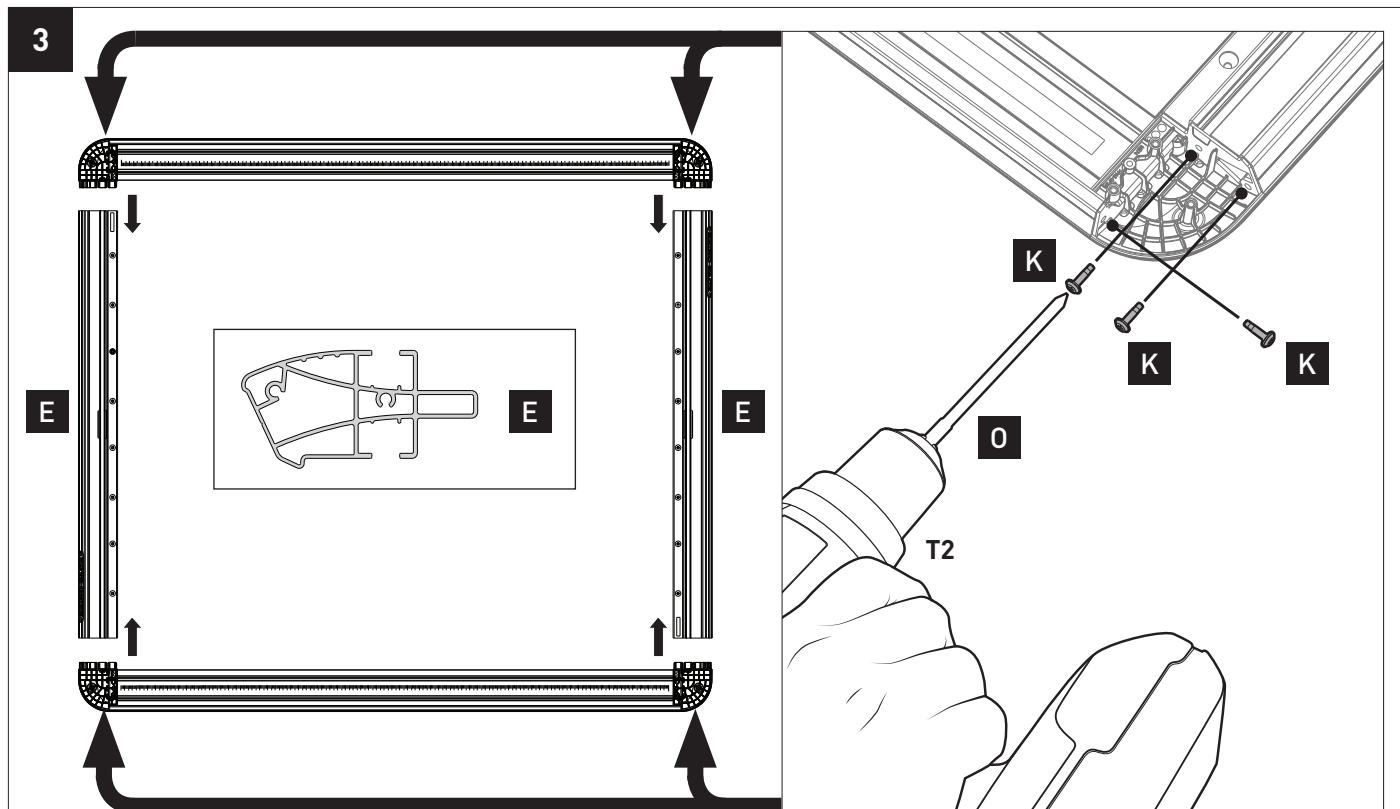


H **I**
x6 = x24

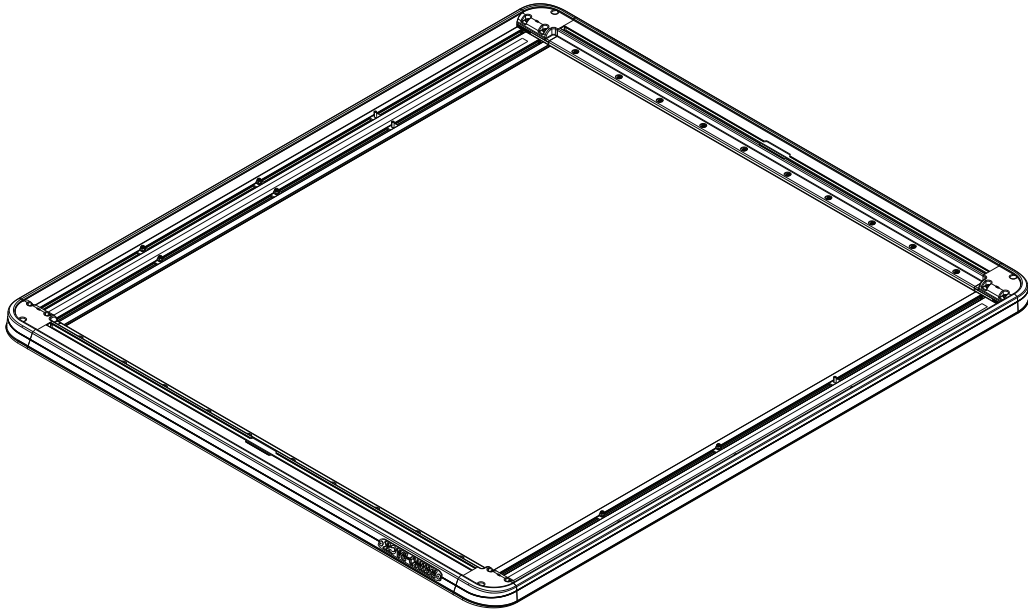
Instructions



Instructions

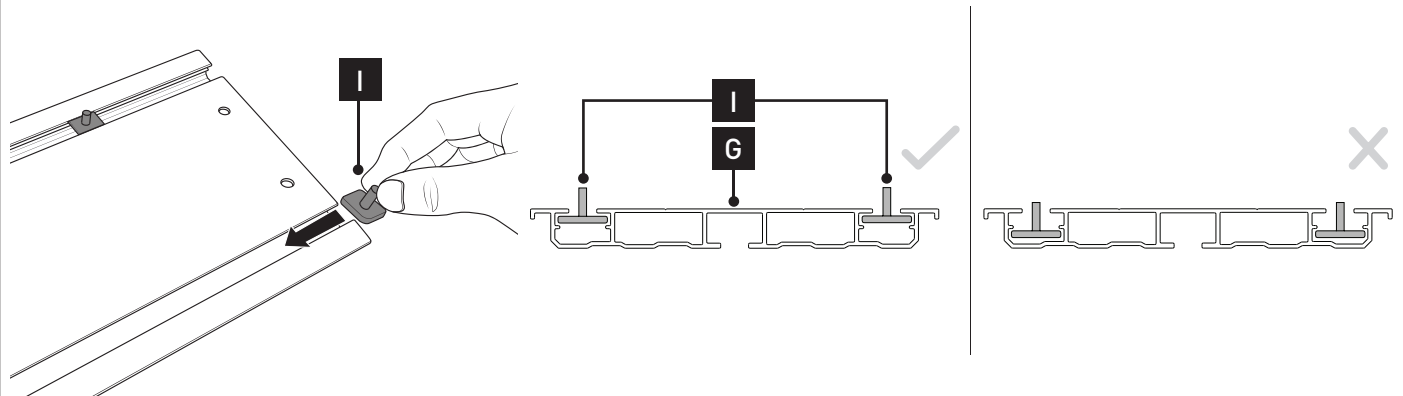


Instructions

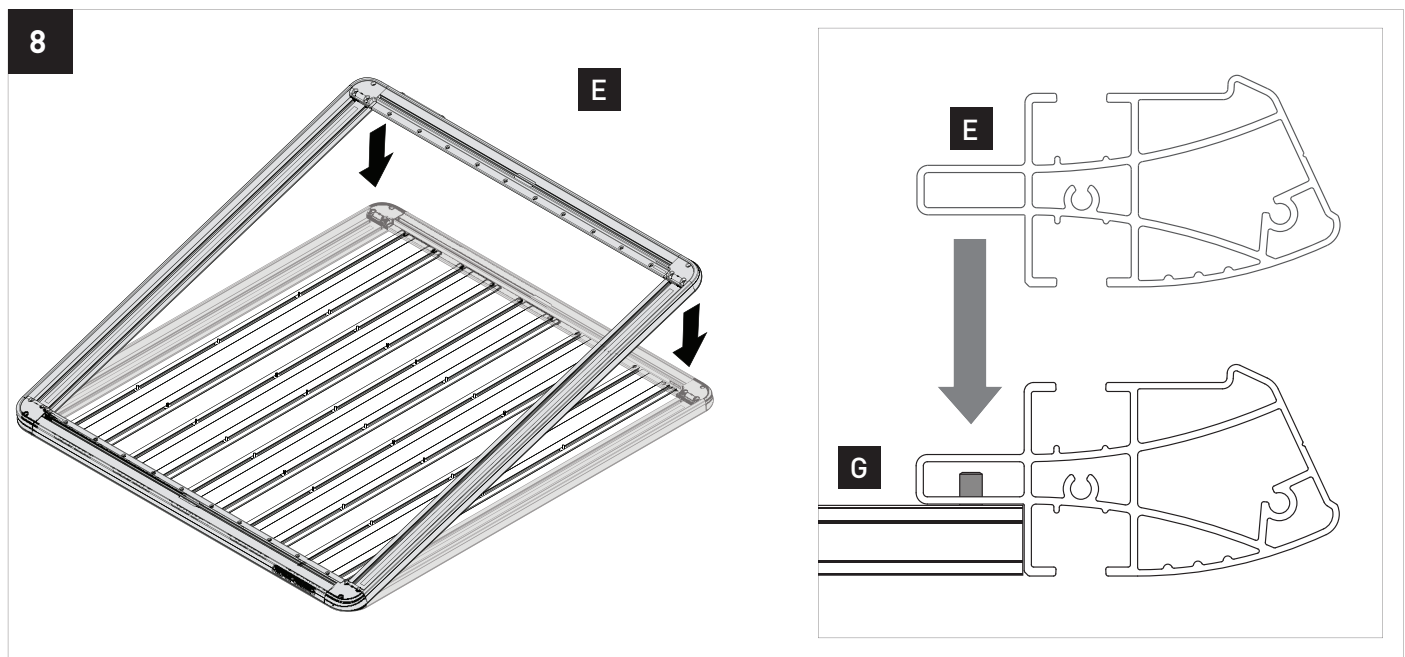
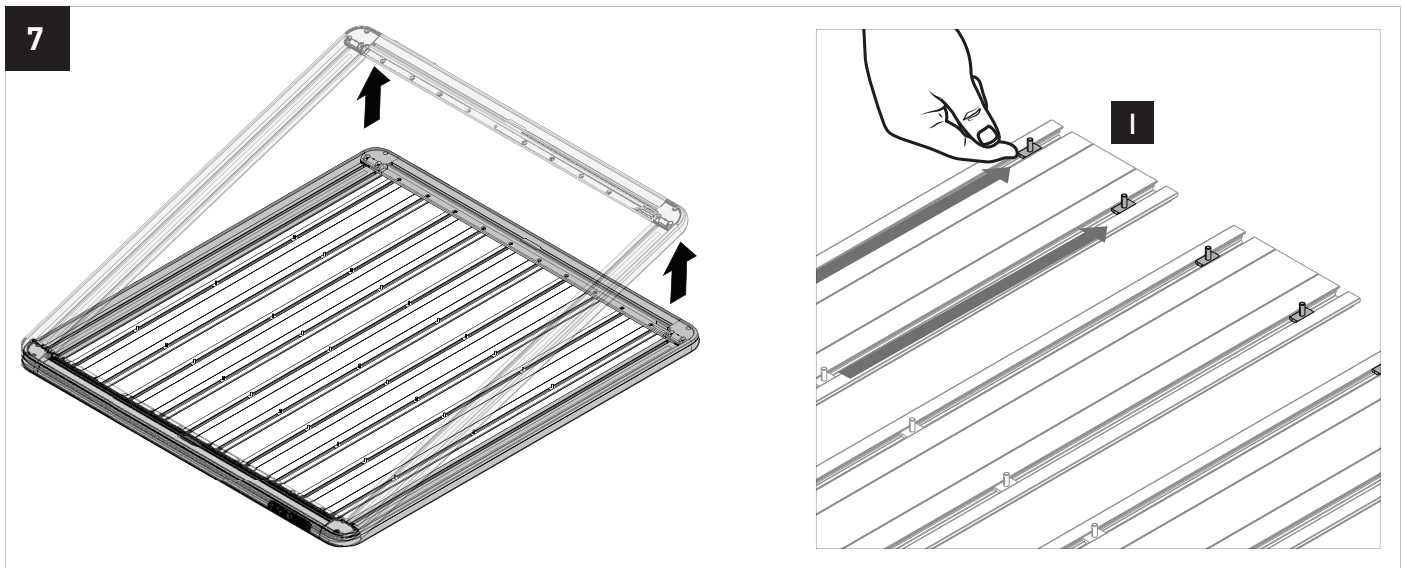
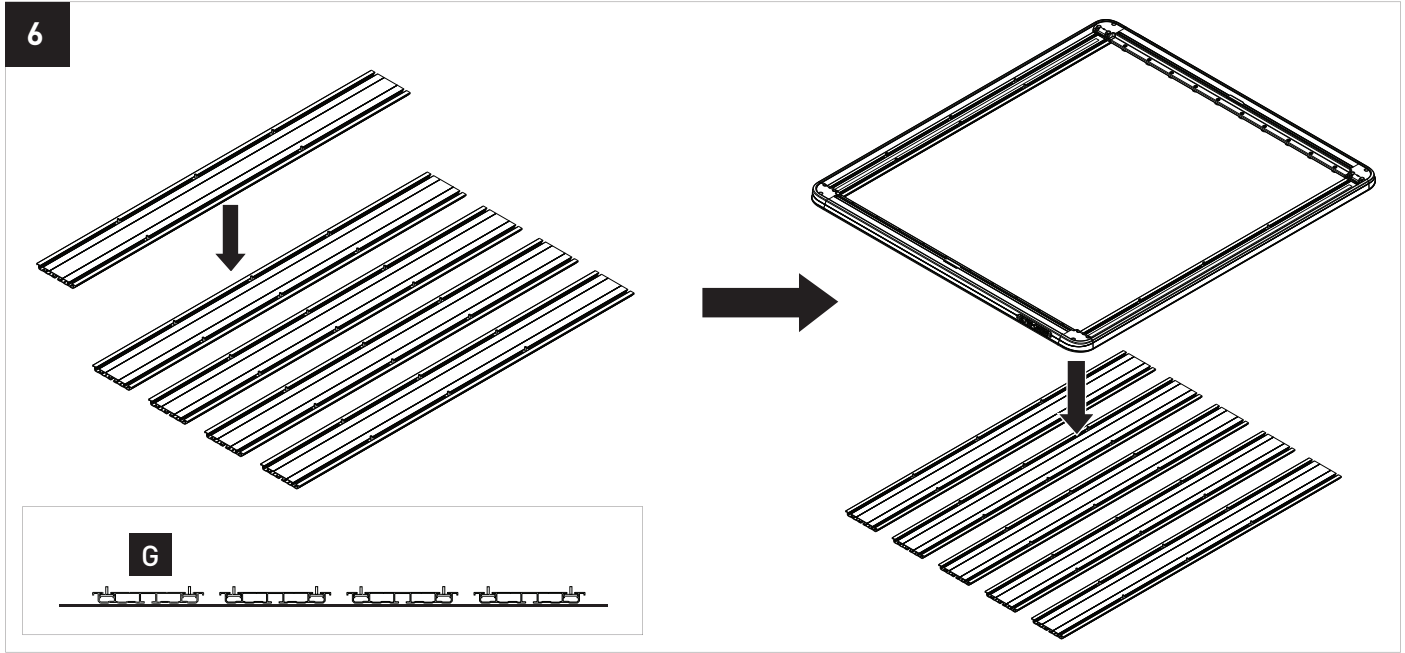


5

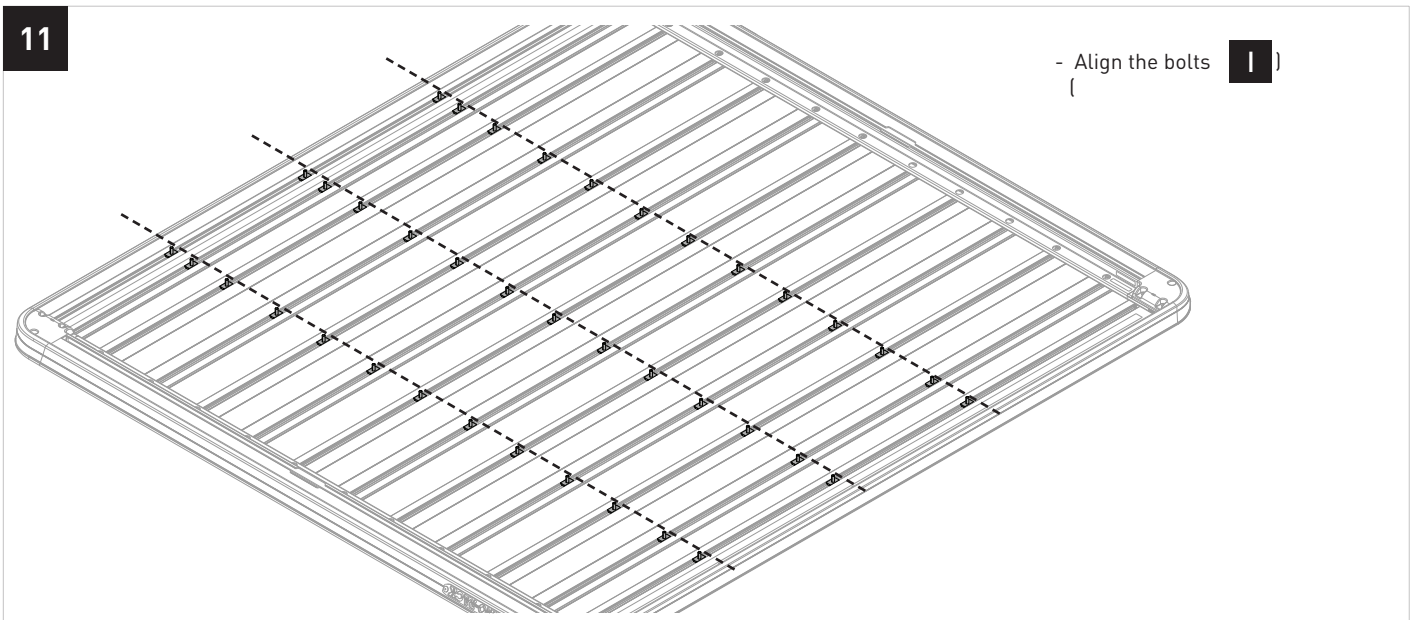
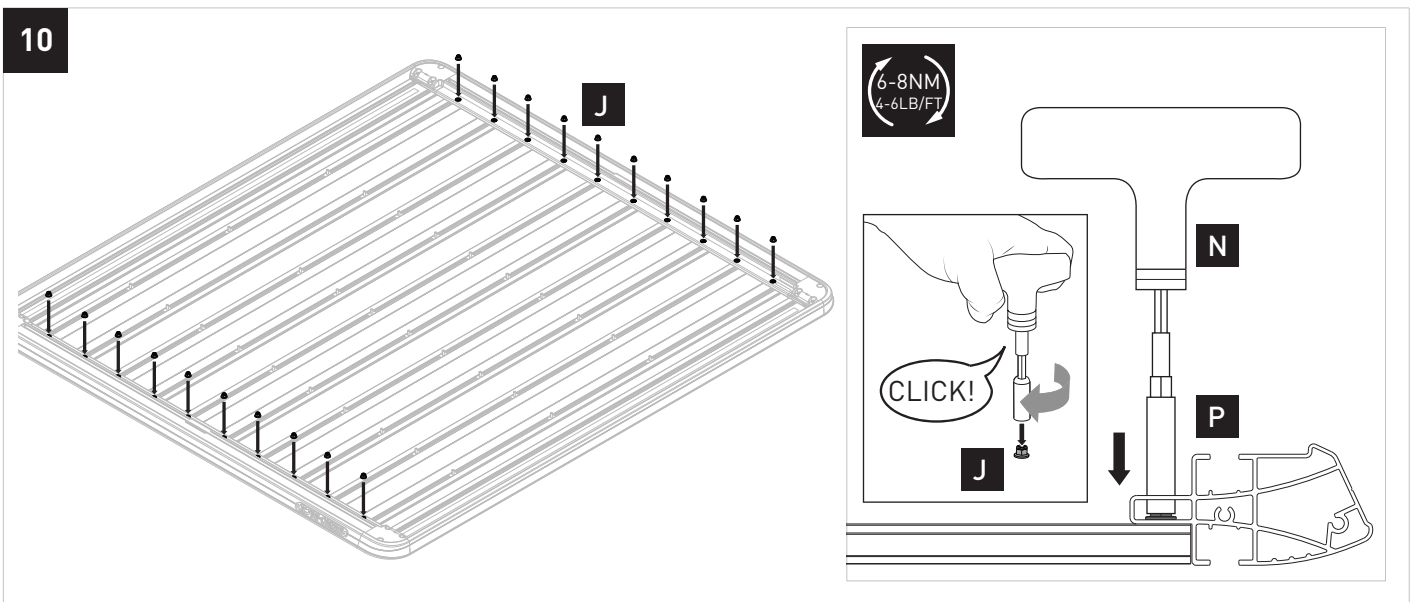
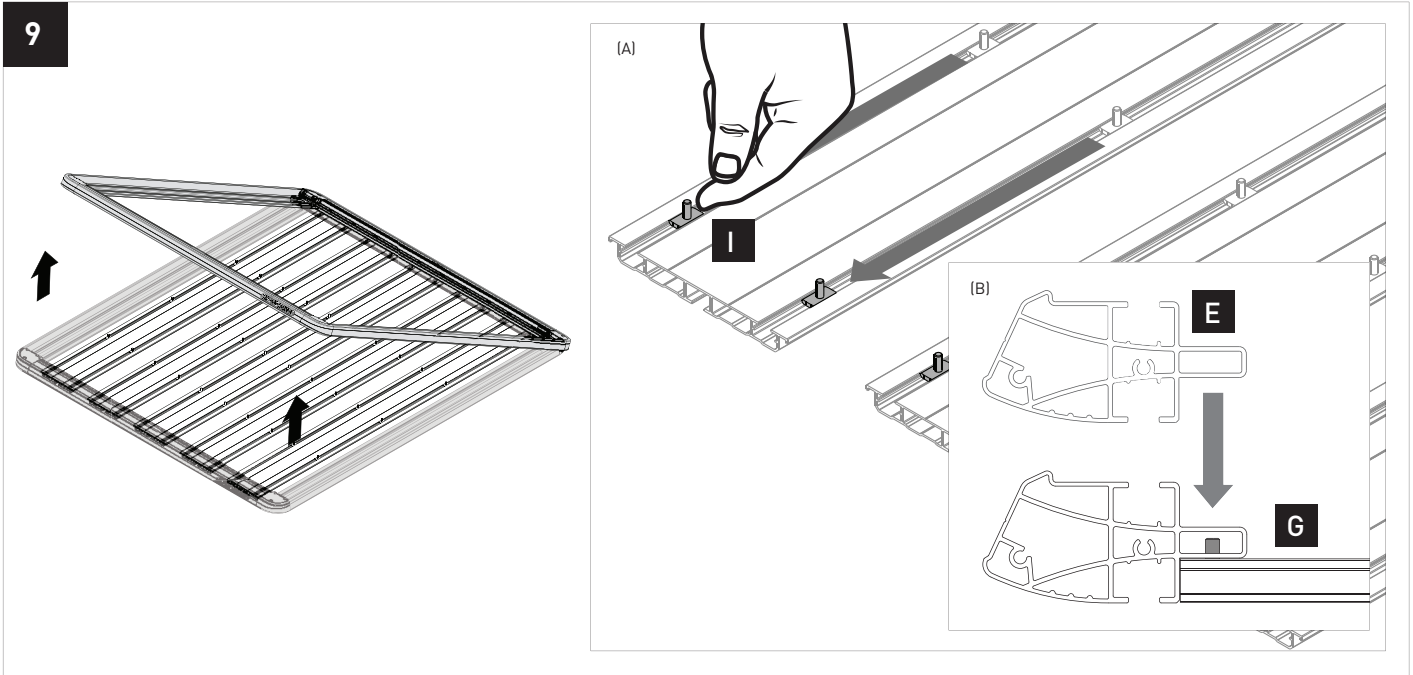
 E x3 + H x10 = I x10	 E x4 + H x12 = I x12	 E x5 + H x14 = I x14	 E x6 + H x16 = I x16



Instructions

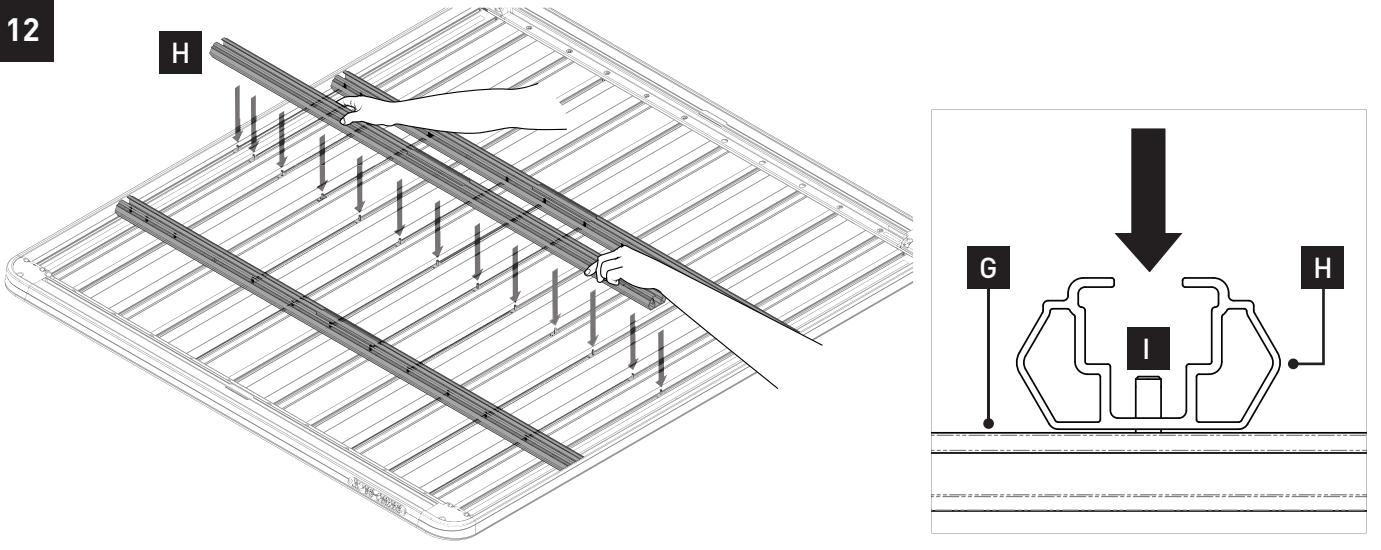


Instructions

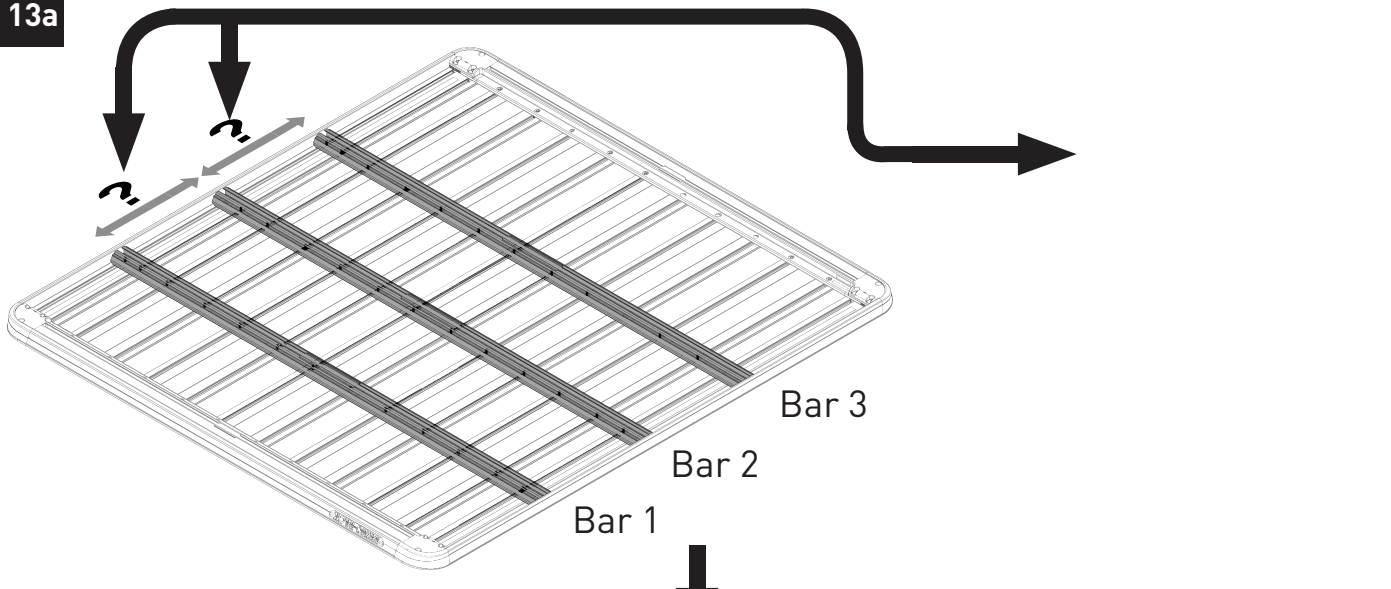


Instructions

12



13a



Bar 1, 2, 3



RHINO-RACK | PIONEER VEHICLE FITTING INFORMATION

VEHICLE	PIONEER SIZE	CONNECTOR	HEIGHT ADDED (mm / in)
EXAMPLE ONLY	53100	RCL	120.0 / 4.7

IMPORTANT NOTES RCP48-BK required. Fixed point factory mount. -

REGION	AUS	NZ	USA	CA	SA	UK	EU	ZA
AVAILABILITY	✓	✓	✓	✓	✓	✓	✓	✓
RUNNING DATES	02/15 -	02/15 -	-	-	-	-	-	-

UNDERBAR SPACING

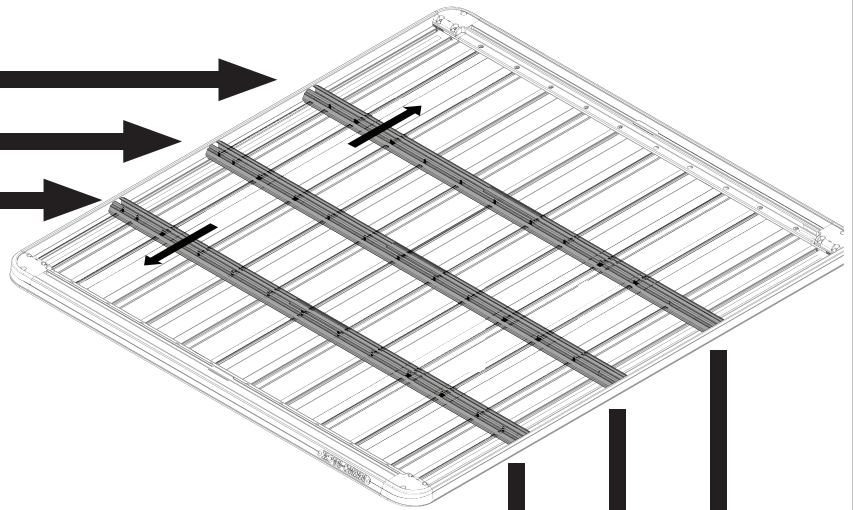
SIZE NO.	A	B	C	D	E	F	G
DIMENSION (CM)	45.2	0	45.2				
SPACERS REQ'D							
CONNECTOR	RCL		RCL				

VEHICLE LOAD LIMIT (VLL) (kg / lbs)	SYSTEM WEIGHT (SW) (kg / lbs)	ON-ROAD CARGO ALLOW. (ORA)	OFF-ROAD CARGO ALLOW. (OFRA)
Up to 100 / 220.5 *	19 (41.2)	OR = VLL - SW	OFRA = OR / 1.5

*CHECK YOUR VEHICLE OWNERS HANDBOOK FOR VEHICLE MAXIMUM CARRYING CAPACITY. PLEASE ENSURE YOU USE THE VEHICLE MANUFACTURERS MAXIMUM ROOF ALLOWANCE IF IT IS LOWER THAN THE FIGURES LISTED IN THIS INSTRUCTION.

Instructions

13b



RHINO-RACK PIONEER VEHICLE FITTING INFORMATION

VEHICLE	PIONEER SIZE	CONNECTOR	HEIGHT ADDED (mm / in)
EXAMPLE ONLY	92100	RCL	120.0 / 4.7

IMPORTANT NOTES: RCP68-BK required. Fixed point factory mount. -

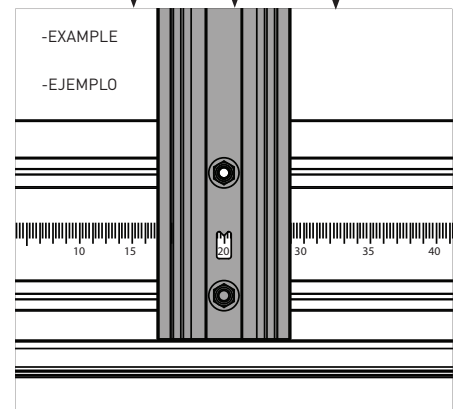
REGION	AUS	NZ	USA	CA	SA	UK	EU	ZA
AVAILABILITY	✓	✓	x	x	x	x	x	x
RUNNING DATES	02/15 -	02/15 -	-	-	-	-	-	-

UNDERBAR SPACING

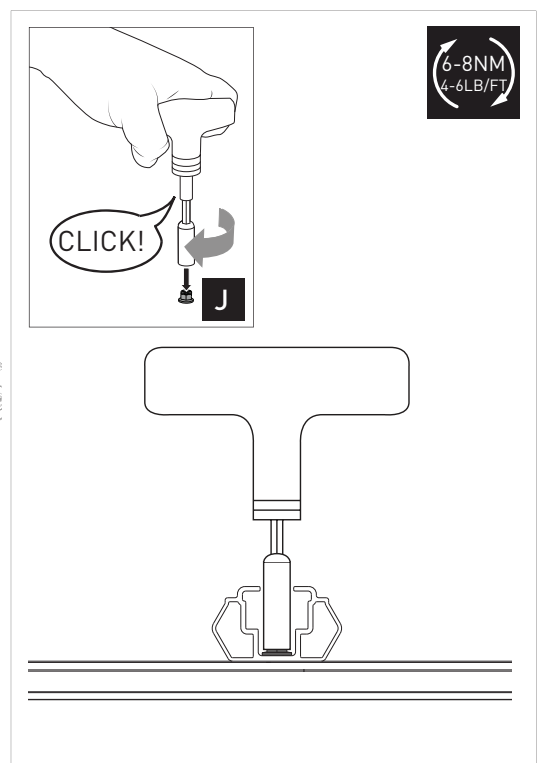
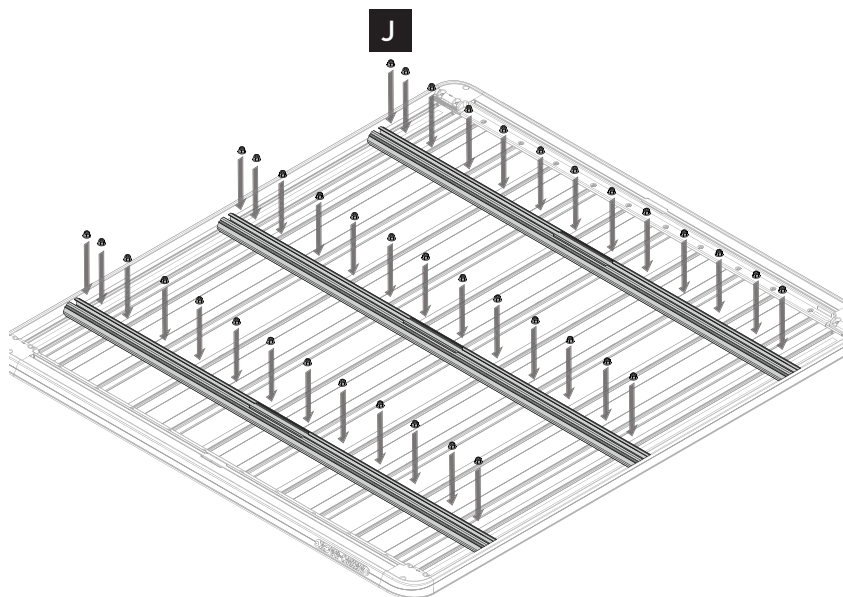
BAR NO	A	B	C	D	E	F	G
DIMENSION (CM)	45.7	B	45.7				
SPACERS REQ'D							
CONNECTOR	RCL		RCL				

VEHICLE LOAD LIMIT (VLL) (kg / lbs)	SYSTEM WEIGHT (SW) (kg / lbs)	ON-ROAD CARGO ALLOW. (OR) (kg / lbs)	OFF-ROAD CARGO ALLOW. (OFR) (kg / lbs)
Up to 100 / 220.5 *	19 / 41.2	OR = VLL - SW	OFR = OR / 1.5

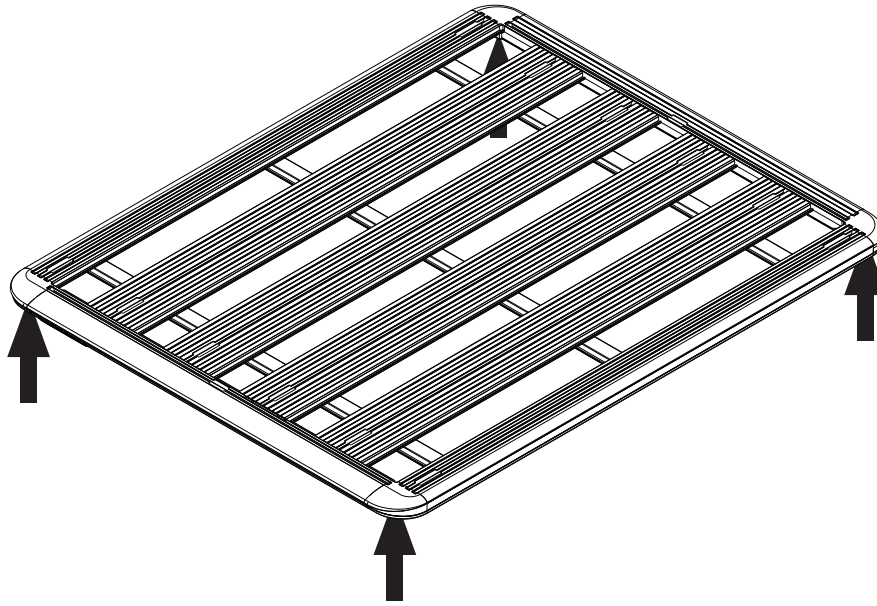
*CHECK YOUR VEHICLE OWNERS HANDBOOK FOR VEHICLE MAXIMUM CARRYING CAPACITY. PLEASE ENSURE YOU USE THE VEHICLE MANUFACTURERS MAXIMUM ROOF ALLOWANCE IF IT IS LOWER THAN THE FIGURE LISTED IN THIS INSTRUCTION.



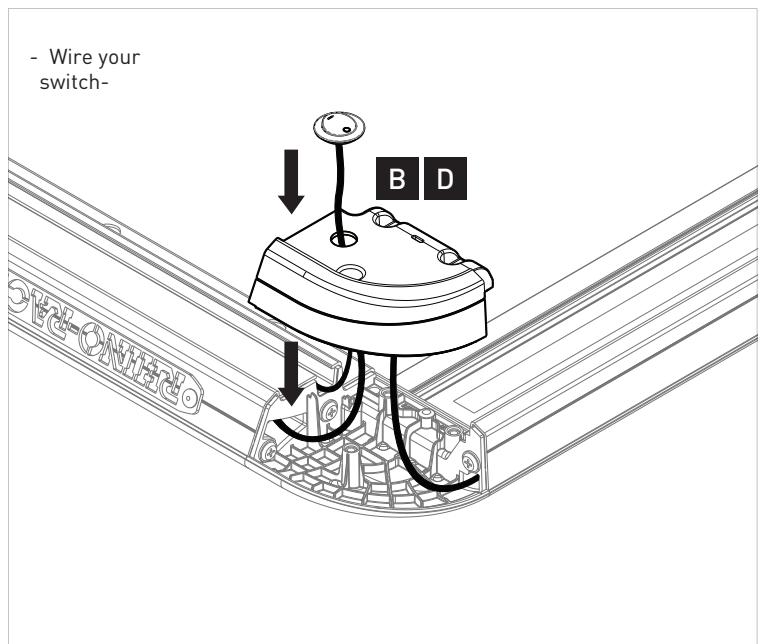
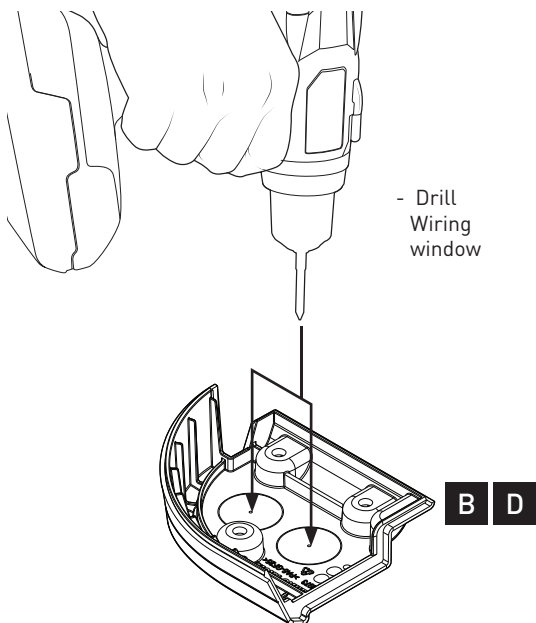
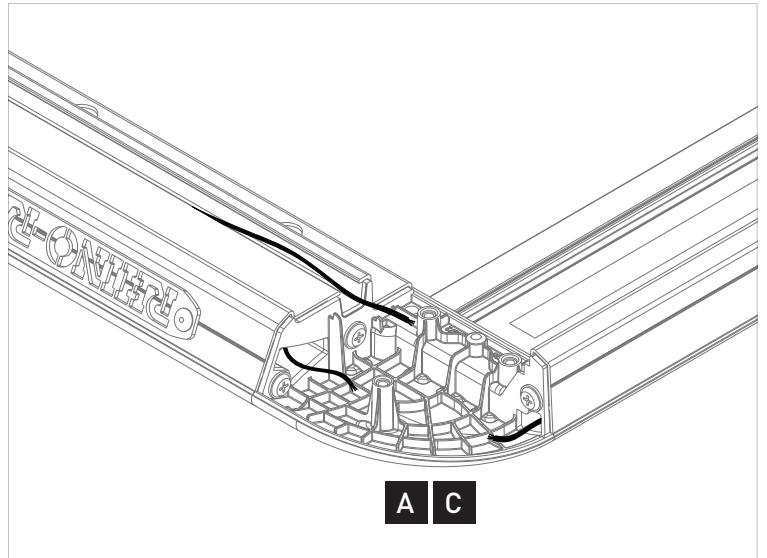
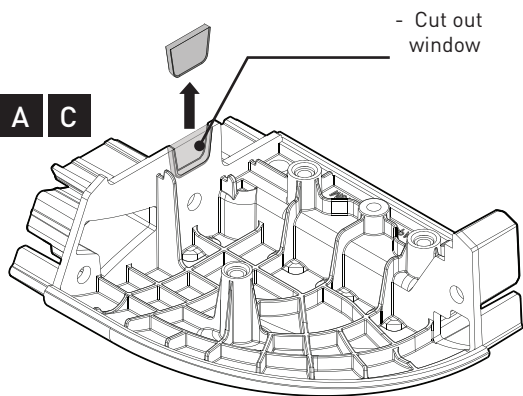
14



Instructions

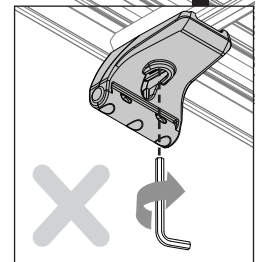
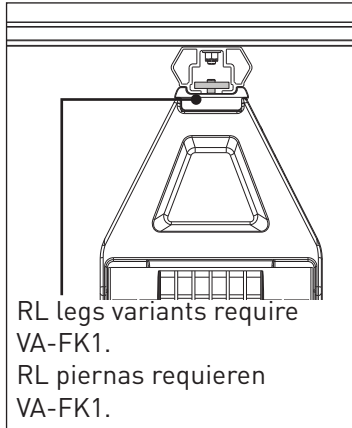
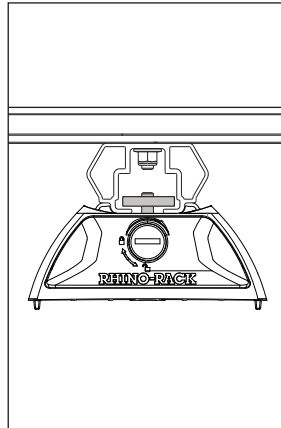
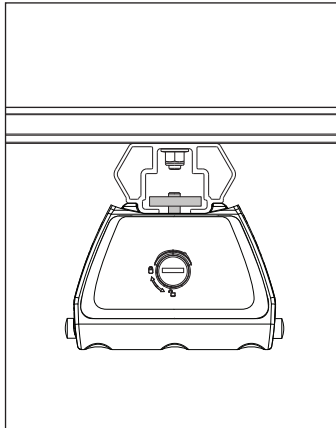
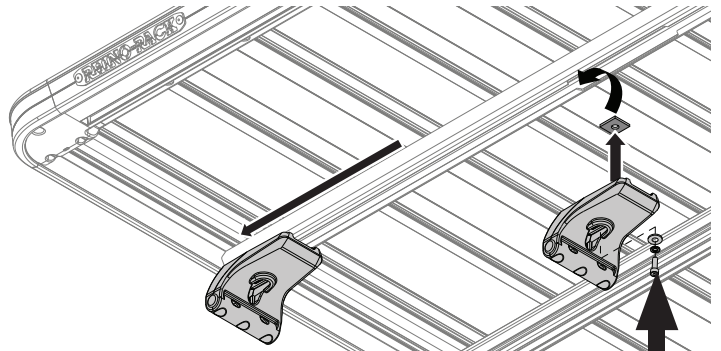
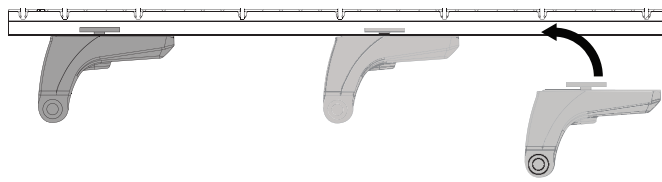


Note - For Wiring



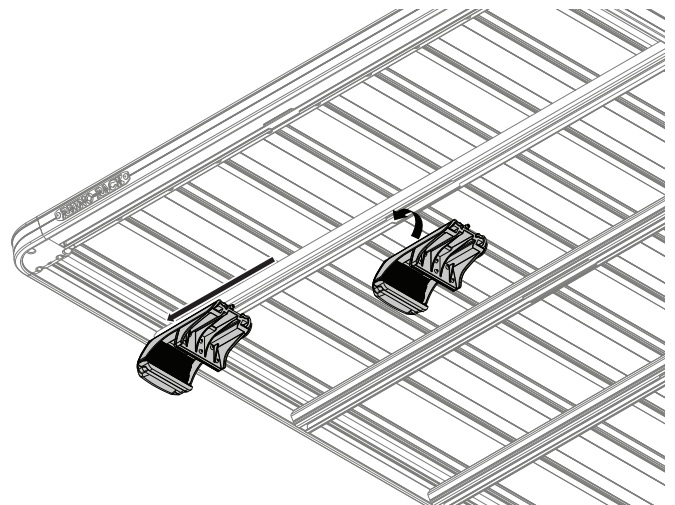
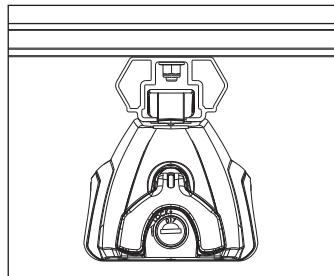
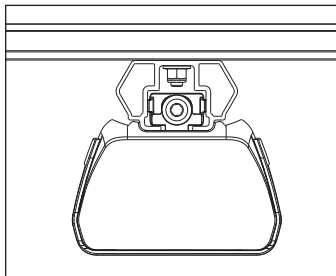
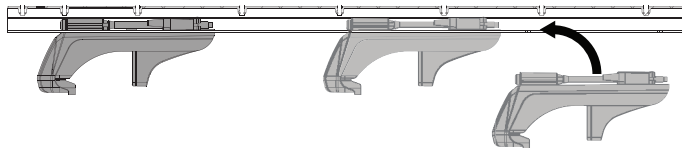
Instructions

15 RLT600, RCL/RCH,
RL leg variants.

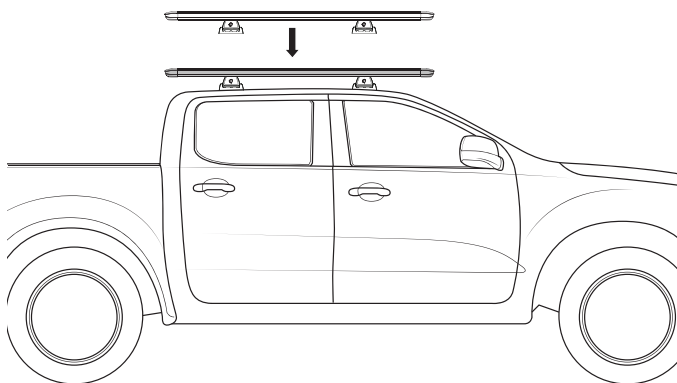


RL legs variants require
VA-FK1.
RL piernas requieren
VA-FK1.

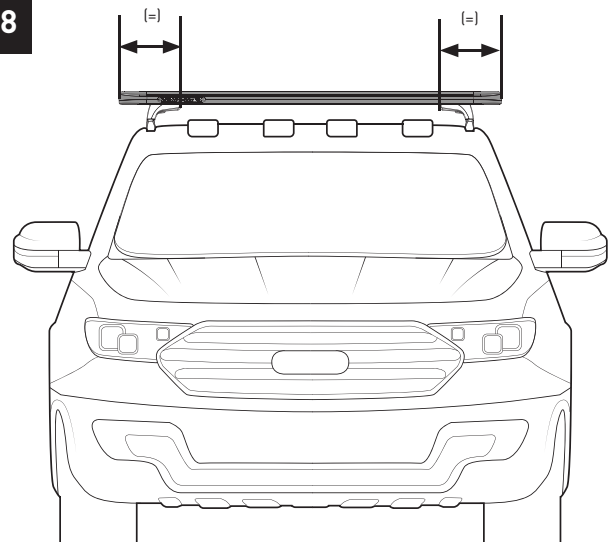
16 SXB



17

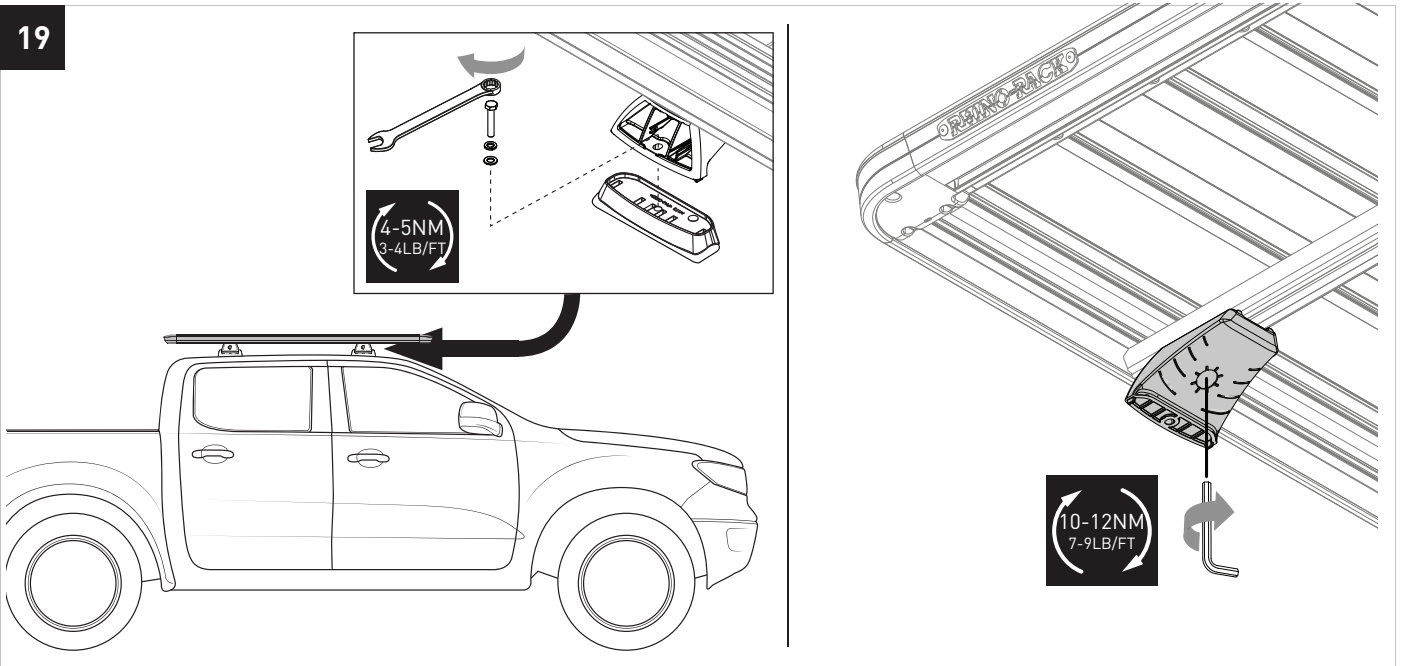


18

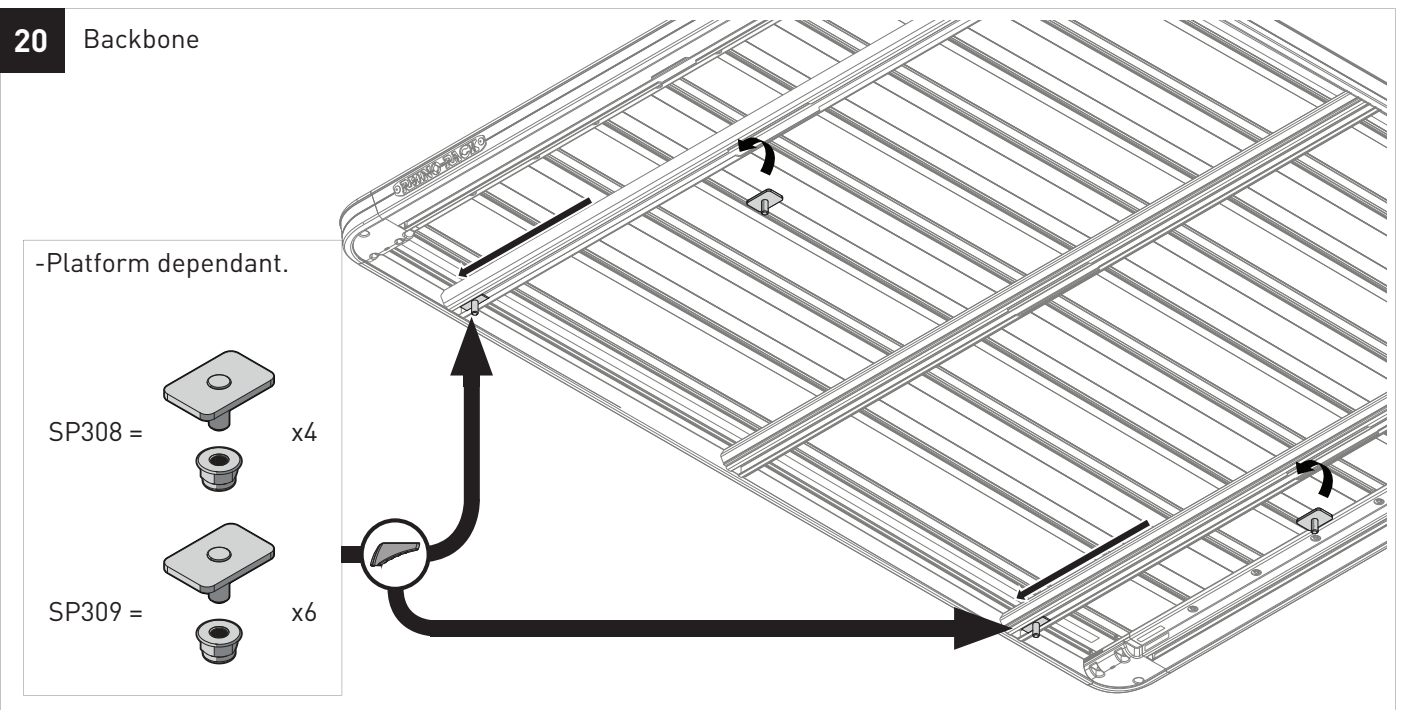


Instructions

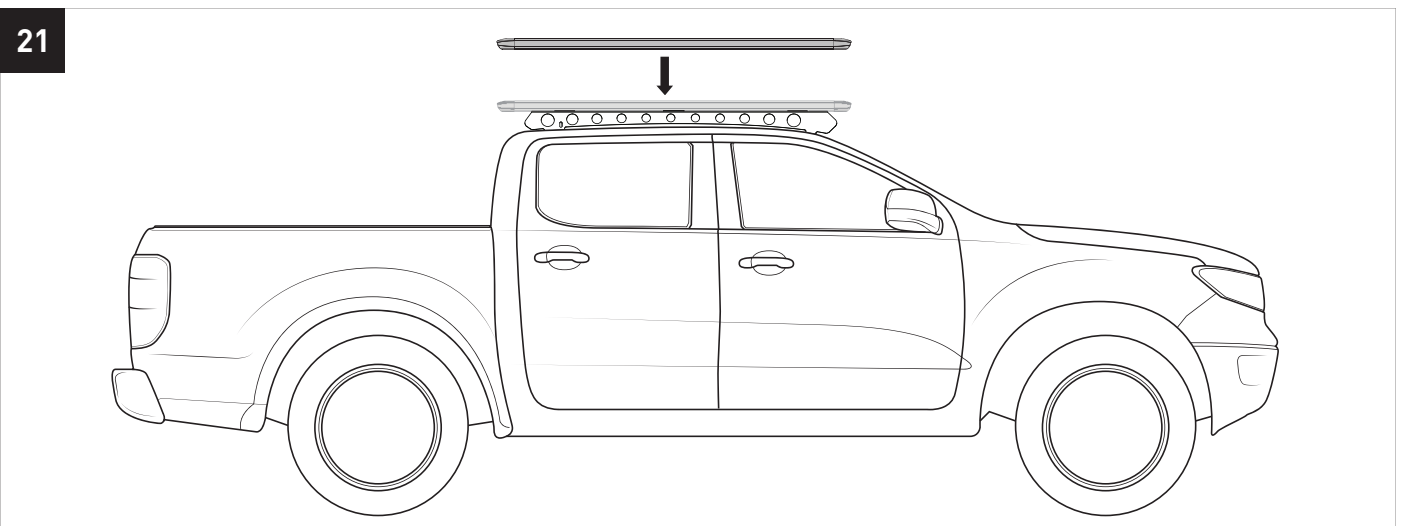
19



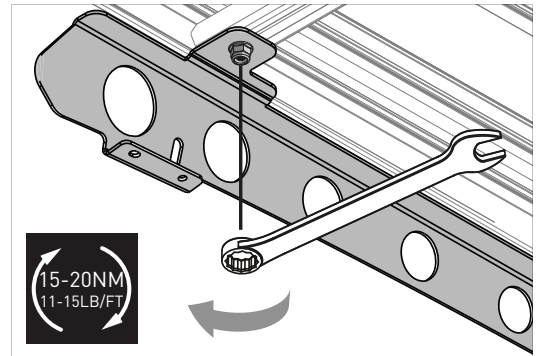
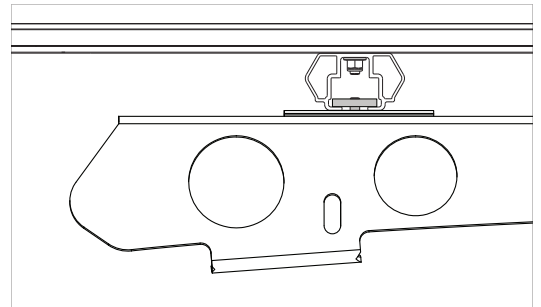
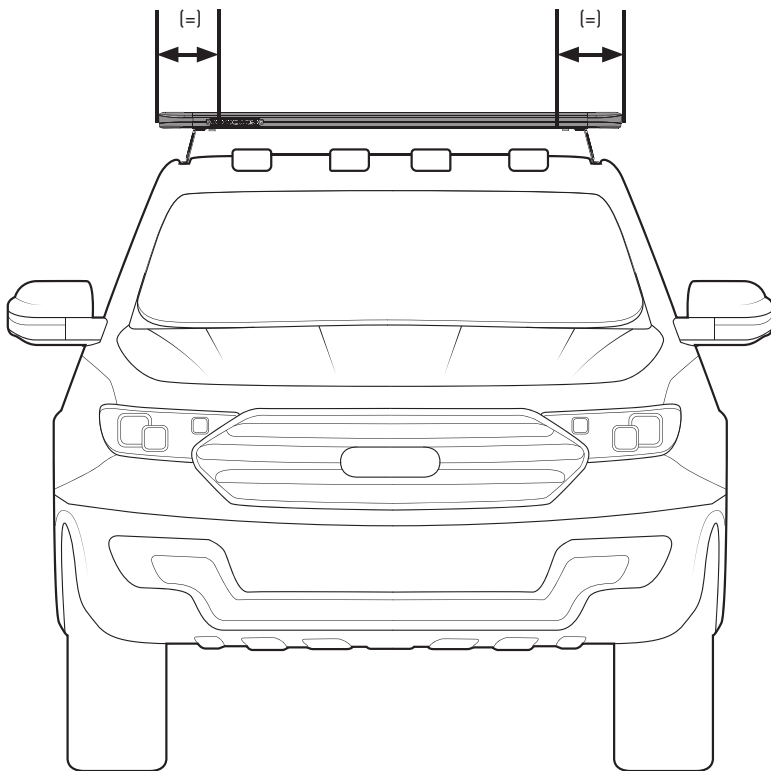
20 Backbone



21



22



Note

RHINO-RACK
PIONEER ALLOY TRAY (assembled)

Warnings:

1. Do not use this tray on vehicles with roof racks that do not meet the requirements of the manufacturer's instructions.
2. Do not use this tray on vehicles with roof racks that are not designed for use with this tray.
3. Do not use this tray on vehicles with roof racks that are not designed for use with this tray.

Pre-Check:

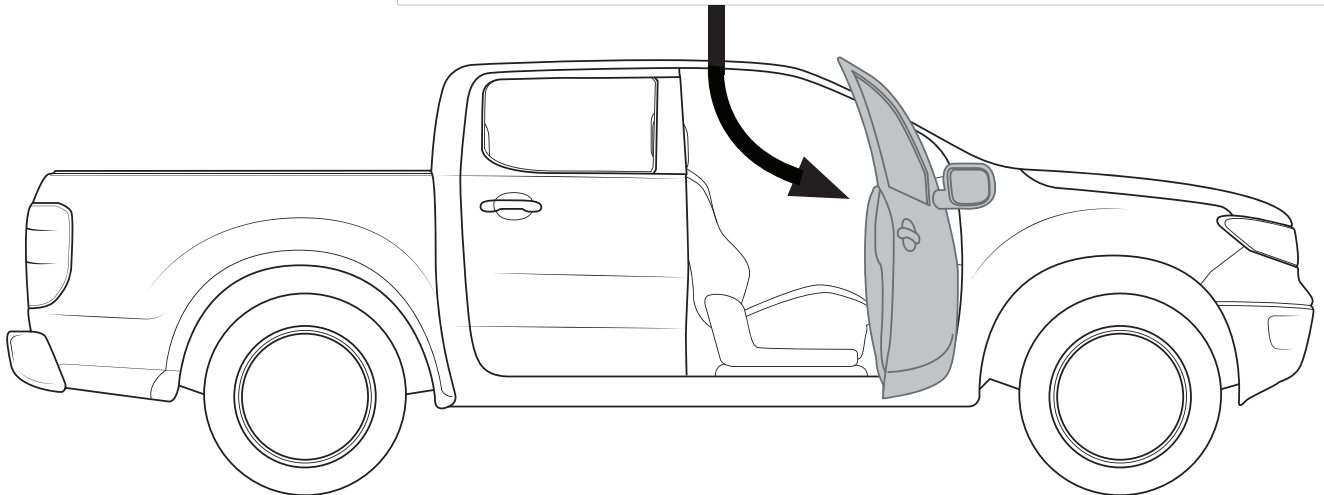
Check the weight and distribution of the load on the roof rack. Do not exceed the manufacturer's weight and distribution limits.

RHINO-RACK | PIONEER VEHICLE FITTING INFORMATION

Vehicle Model	Year	Roof Rack	Tray Part Number
2015-2017	2015-2017	2015-2017	2015-2017
2018-2019	2018-2019	2018-2019	2018-2019
2020-2021	2020-2021	2020-2021	2020-2021

INSTALLER SPECIFICATIONS

Specification	Value
Weight Capacity	11-15 LB/FT
Torque	15-20 NM





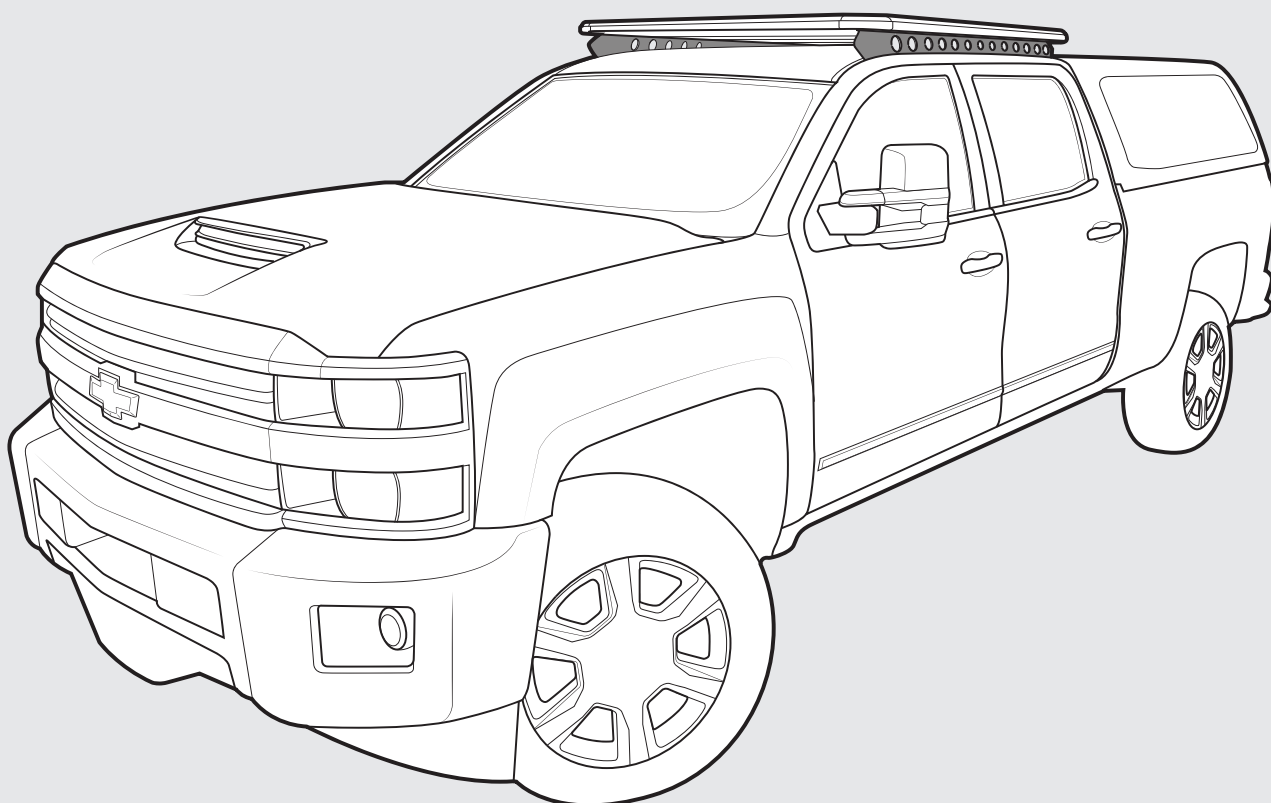
RHINO-RACK

GMC Sierra and Chevrolet Silverado Crew Cab

Important:

1. Check the Rhino-Rack website to ensure you have the latest issue of these instructions.
2. Please refer to your fitting instruction to ensure that the roof racks are installed in the correct locations.
3. Check the contents of kit before commencing fitment and report any discrepancies.
4. Place these instructions in the vehicle's glove box after installation is complete.
5. These instructions must be followed for warranty to be upheld.

Fit Time: 1.5 hours



RS1B1 Backbone Instructions

Carrying Capacity

Max system load capacity 100kg/ 220lbs.

Check your vehicle owners hand book for vehicle maximum carrying capacity. Please ensure you use the vehicle manufacturers maximum roof allowance if it is lower than the figure listed in this instruction.

Load must be evenly distributed over the system.

ON ROAD CARGO ALLOWANCE (OR)	OFF ROAD CARGO ALLOWANCE (OFR)	VEHICLE ROOF LOAD LIMIT (VLL)	SYSTEM WEIGHT (SW)
$(OR) = (VLL) - (SW)$	$(OFR) = \frac{(OR)}{1.5}$	xx Kg / xx lbs (CHECK VEHICLE OWNERS HANDBOOK FOR SPECIFIC FIGURE).	10kg/22lbs + Platform Weight

Off Road: Any driven path taken that does not contain a surface protection layer (tar/bitumen).

Vehicle Load Limit: Total permissible weight attached to the roof of the car. This is inclusive of the weight of the roof rack system.

System Load Limit: Total permissible weight allowed on top, and attached to roof racks whilst the vehicle is in motion.

Torque Settings

Unless stated otherwise in these instructions, all fasteners should be set to the following torque settings - M6: 4-5Nm (3-4lbs/ft), M8: 8-10Nm (6-7.5lbs/ft) and M10: 16-18Nm (12-13lbs/ft).

Warning

- Check part number/ or kit is correct for use with your vehicle.
- Do not attempt to fit the rack system to your vehicle unless you fully understand these fitting instructions. Please direct any questions regarding fitting to the dealer from where the roof racks were purchased.
- Although the system is tested and approved to AS1235-2000 / ISO 11154, off-road conditions can be much more rigorous. Extreme care must be taken in off road conditions.
- Roof racks must be removed when vehicle is put through an automatic car wash.
- With utility vehicles, the cabin and the canopy move independently. Roofracks and vehicle can be damaged if the item transported is rigidly fixed at points on both the cabin and canopy. Instead, rigidly fix to either the cabin roofracks or the canopy roofracks.
- Always ensure you fasten your load securely.
- Use only non-stretch fastening ropes or straps to attach cargo to your load.

In service maintenance checks

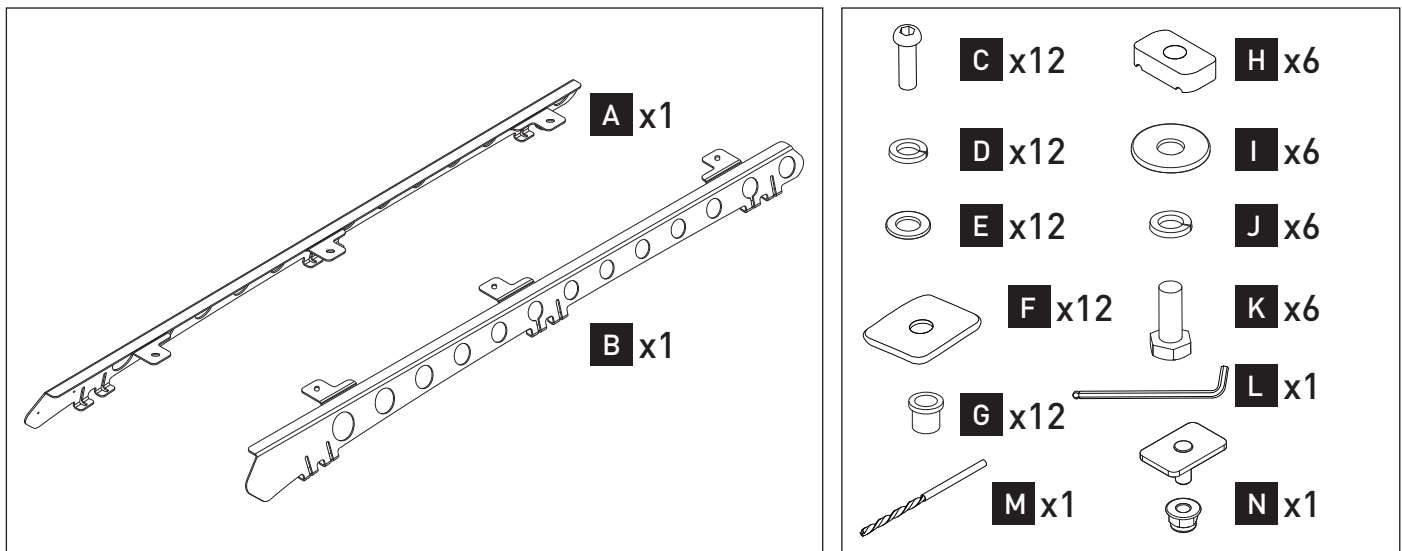
- All bolted connections should be checked after driving a short distance when you first install your roof racks.
- All bolted connections should be checked again at regular intervals (every 1000k (621mi) is recommended, depending on road conditions, usage, loads and distances travelled).

Note for Dealers and Fitters

It is your responsibility to ensure these fitting instructions are given to the end user or client. These instructions remain the property of Rhino-Rack Australia Pty. Ltd. and may not be used or changed for any other purpose than intended.

RS1B1 Backbone Instructions

Parts List



Item	Description	Qty
A	Silverado Backbone RH	1
B	Silverado Backbone LH	1
C	M6 x 20mm Socket Head Cap Screw	12
D	M6 Spring Washer	12
E	M6 x 12.5mm Flat Washer	12
F	Butyl Patch 20mm x 20mm	12
G	M6 Rivnut	12
H	M8 Channel Nut	6
I	M8 x 24mm Flat Washer	6
J	M8 Spring Washer	6
K	M8 x25mm Hex Bolt	6
L	Backbone Allen Key	1
M	Drill Bit 9mm	1
N	NG bolt kit	1

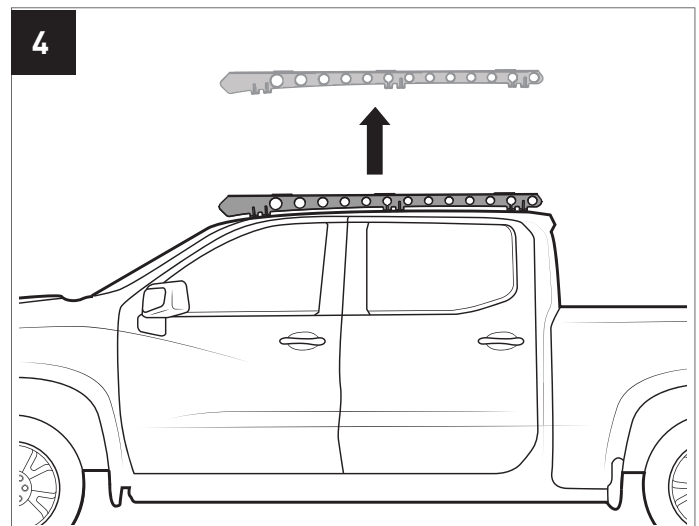
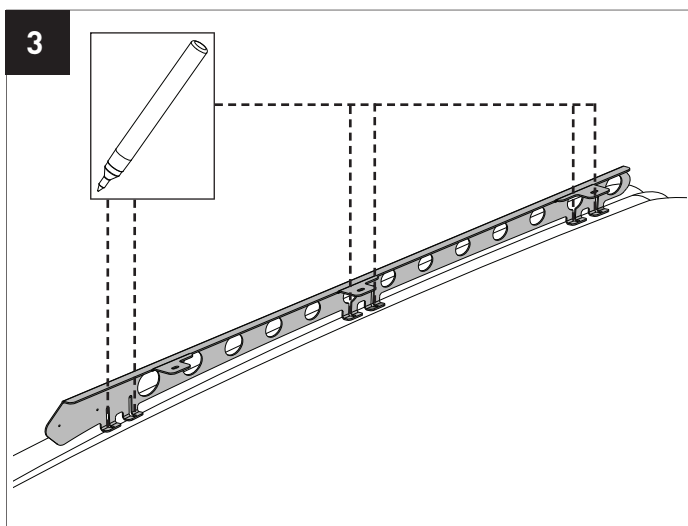
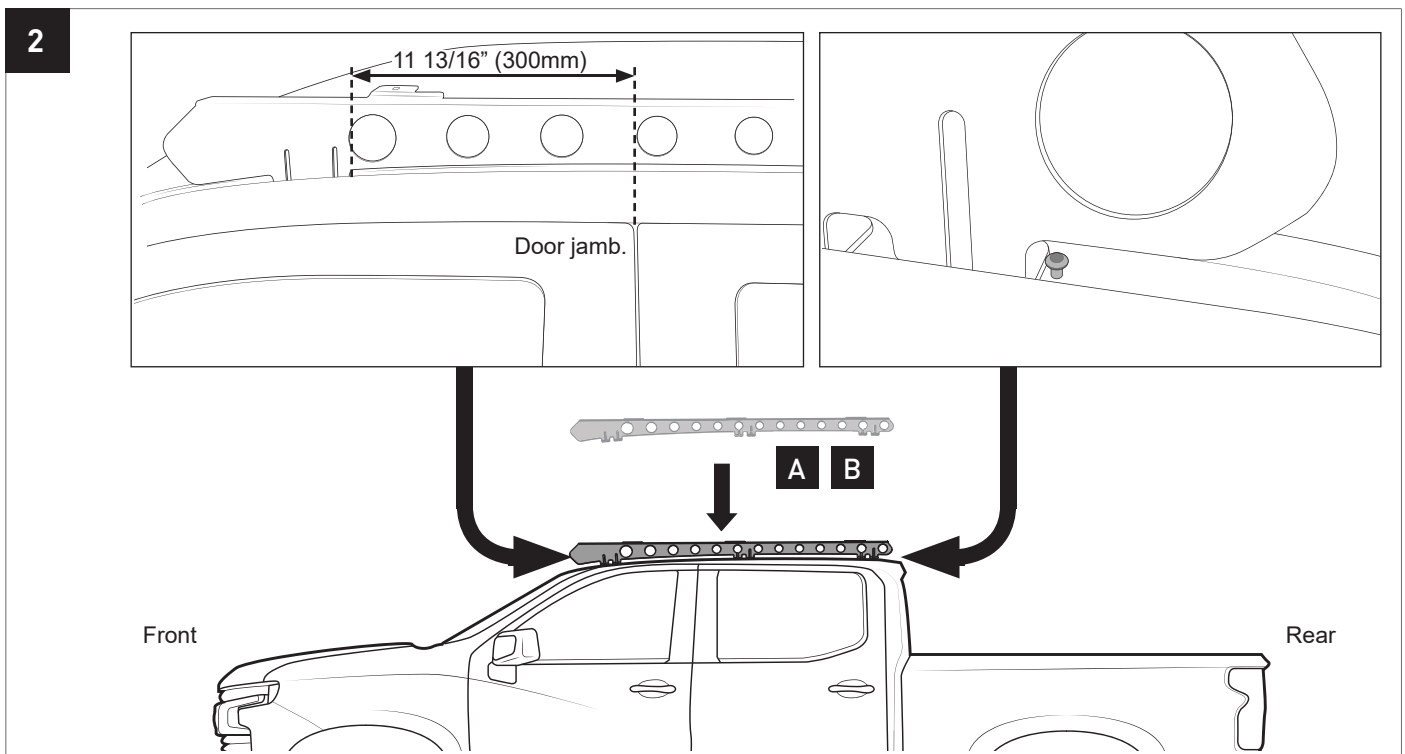
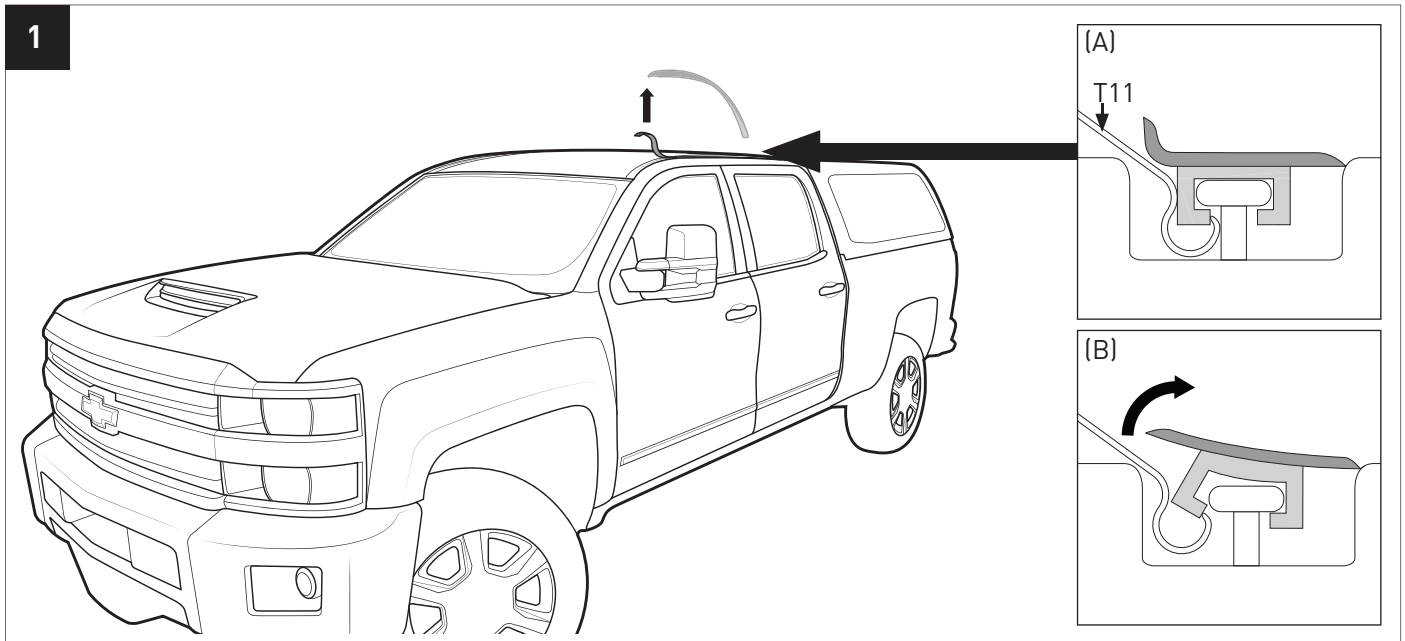
Tools Required:

- T1 - Power drill
- T2 - 3mm drill bit
- T3 - 5mm drill bit
- T4 - Hammer
- T5 - Centre punch
- T6 - Marker
- T7 - Metric rivnut tool
- T8 - Drill stop
- T9 - Galvanising paint
- T10 - 13mm wrench
- T11 - Clevis hook
- T12 - Vacuum
- T13 - Drill depth guide

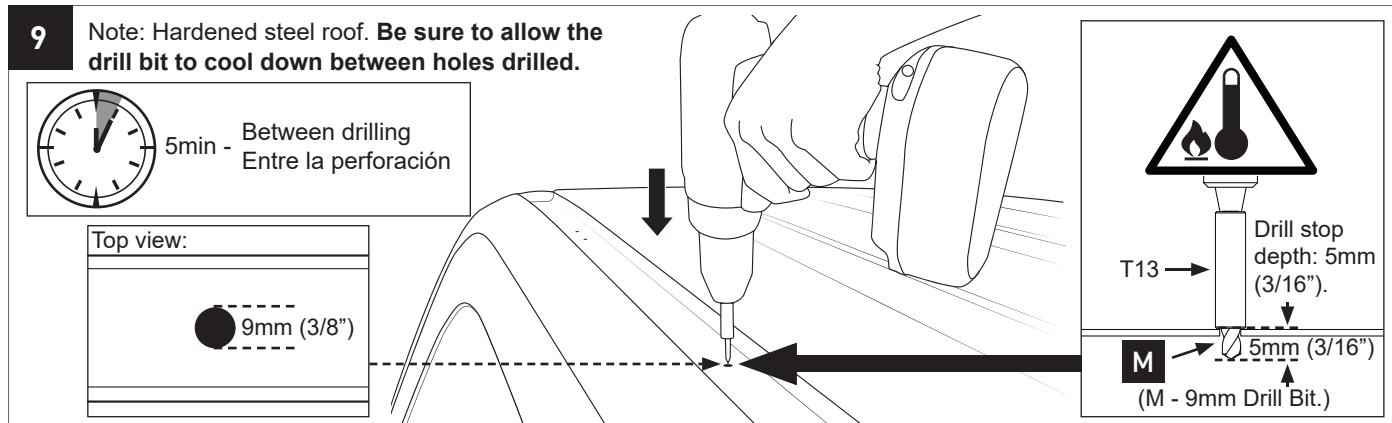
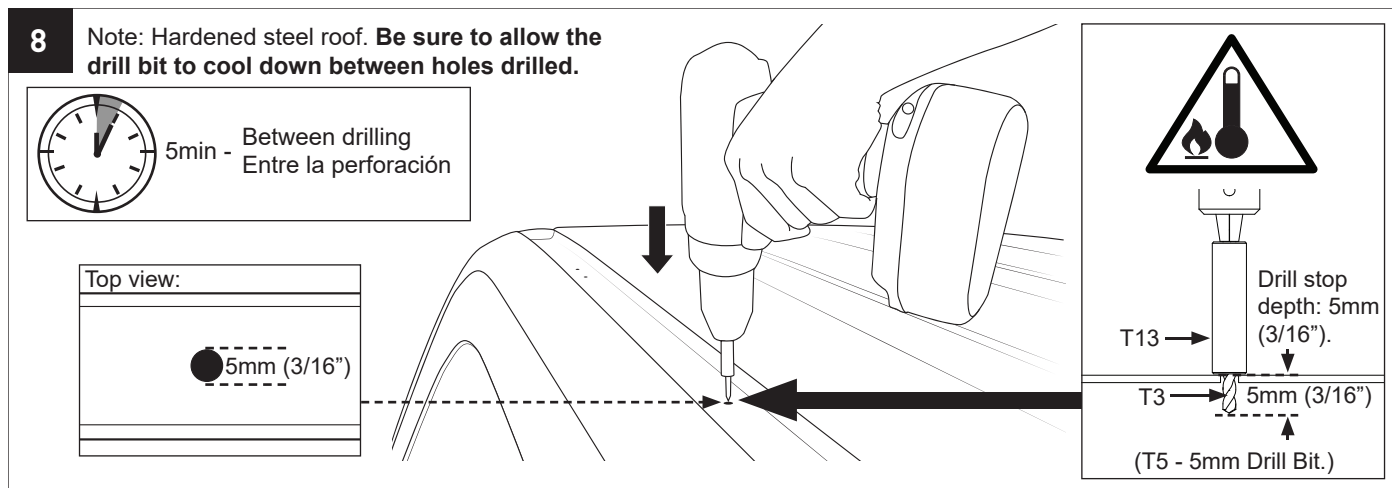
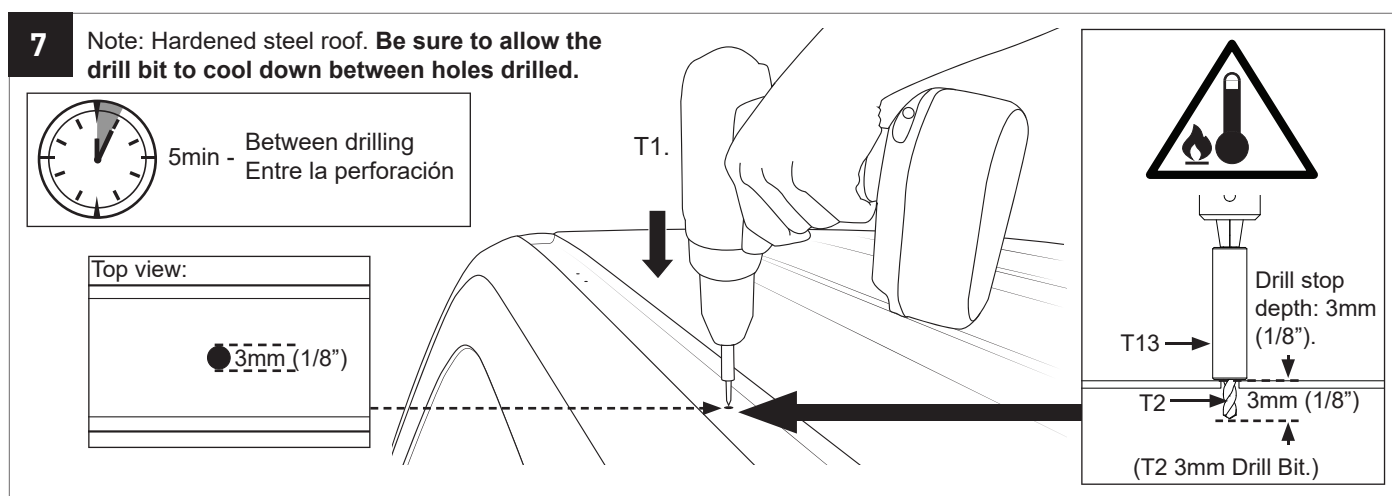
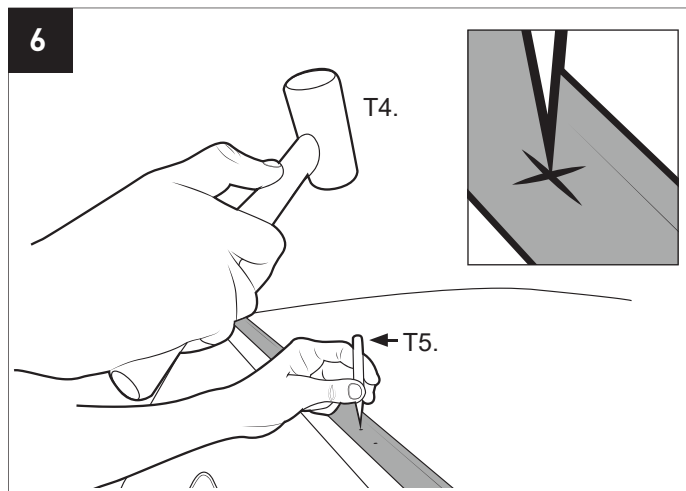
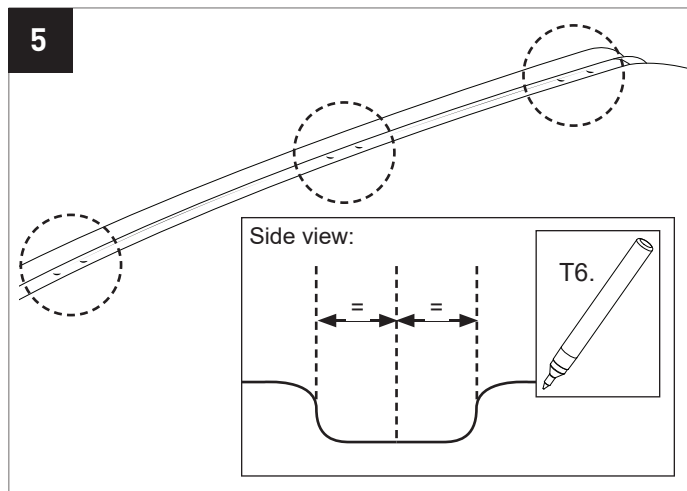
Note:

Item N only required with 52xxx series Pioneer Platforms.

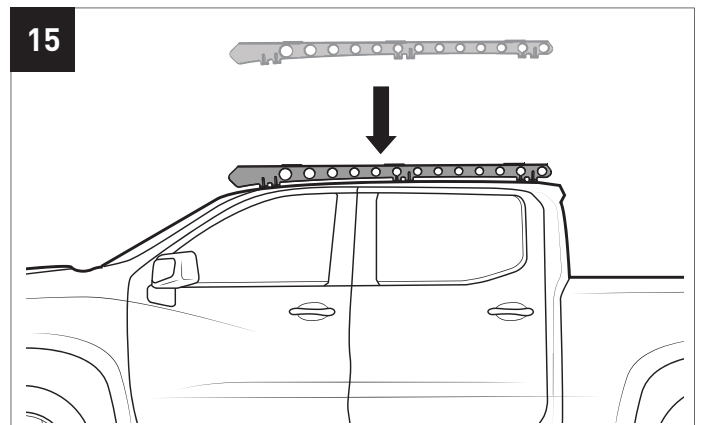
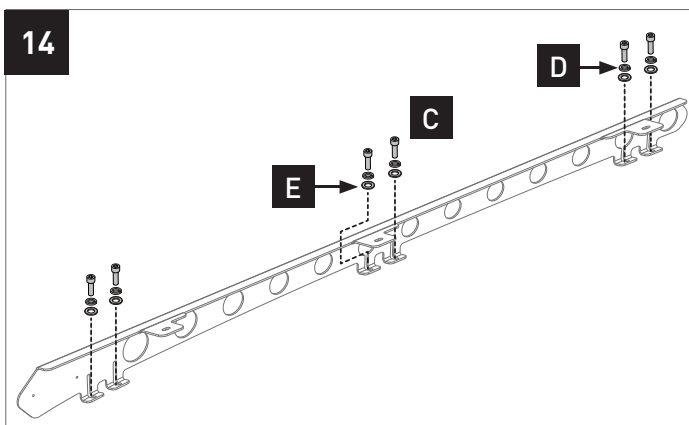
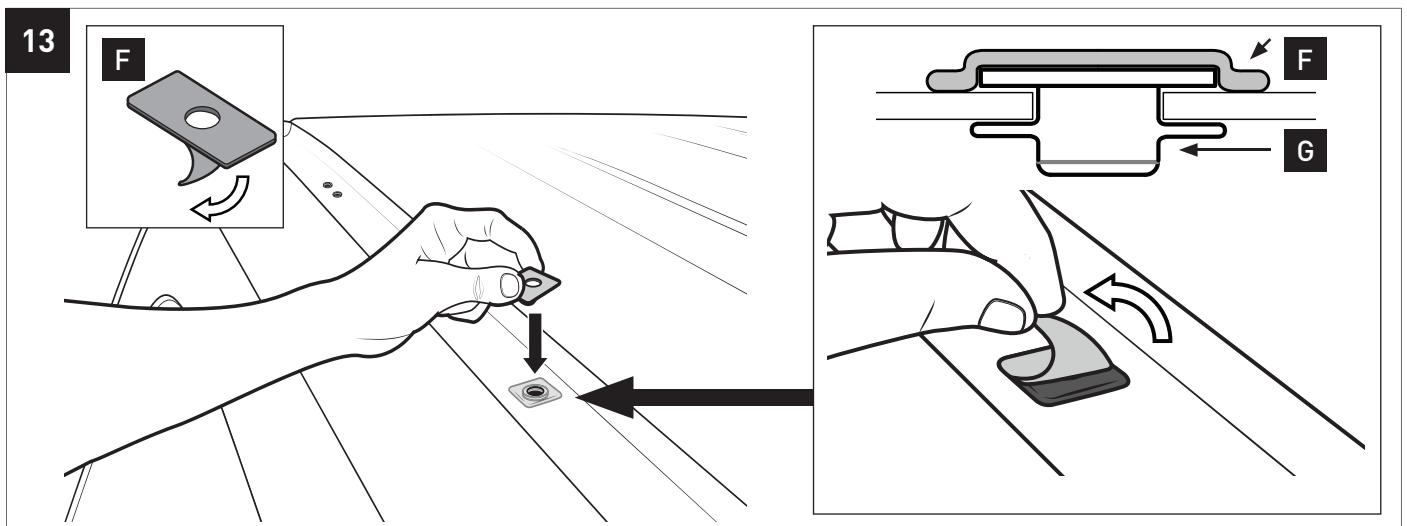
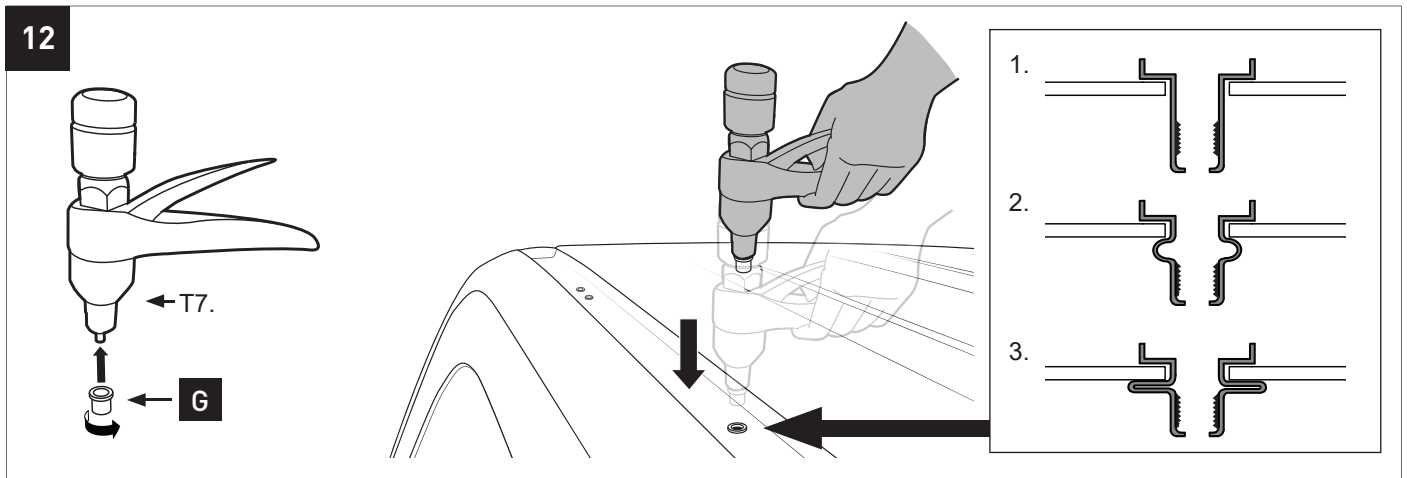
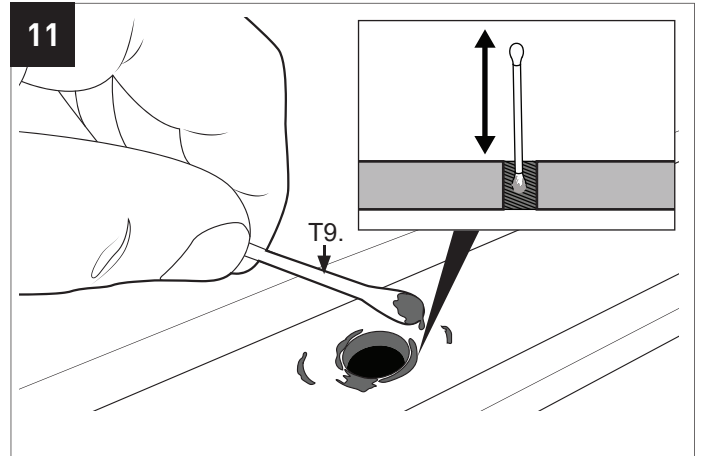
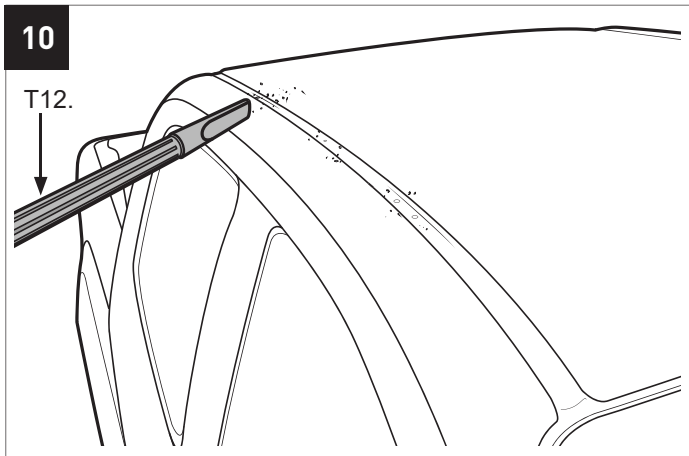
RS1B1 Backbone Instructions



RS1B1 Backbone Instructions

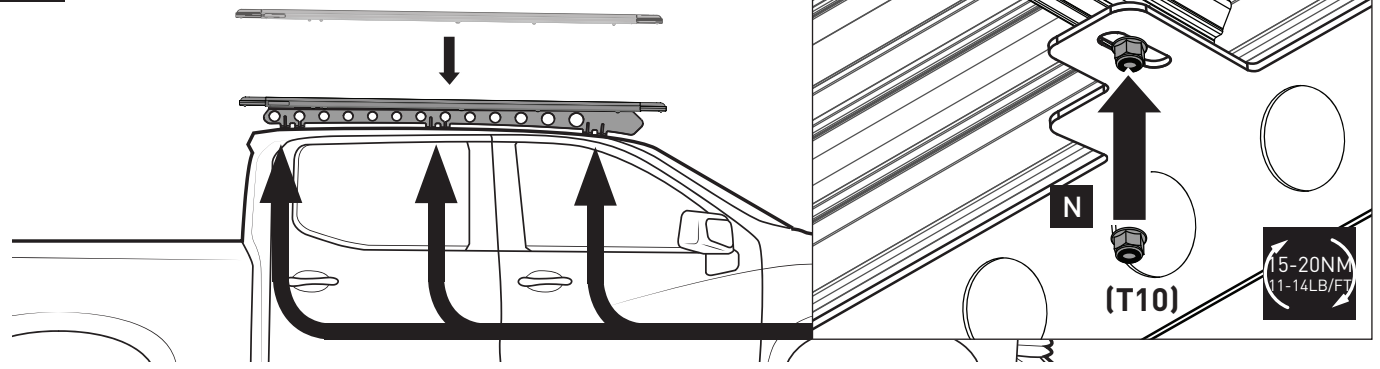


RS1B1 Backbone Instructions

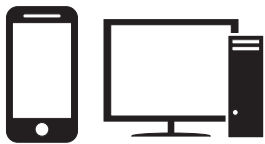


RS1B1 Backbone Instructions

19



20 For 42xxx Series Pioneer Platform



Pioneer Platform / Pioneer Tray / Pioneer Trade

Example

PIONEER 41127 2108 x 1200mm 20 11.00000 x 11.00000
 PIONEER 42119 2108 x 1200mm 20 11.00000 x 11.00000
 PIONEER 42120 2108 x 1200mm 20 11.00000 x 11.00000

Platform of Tray

Platform of Tray	Part Number	Material	Weight (kg)	Weight (lb)	Max Load (kg)	Max Load (lb)
Platform of Tray	41127	Aluminum	11.0	24.2	110	242
Platform of Tray	42119	Aluminum	11.0	24.2	110	242
Platform of Tray	42120	Aluminum	11.0	24.2	110	242

Country	Notes	Parting Date	Product Line	Part No.	Part Name	Part No.
Canada & US	2015/01/01	2015	1000	41127	Platform of Tray	11.00000
Canada, USA	2015/01/01	2015	1000	42119	Platform of Tray	11.00000

8-10NM
6-7.5LB/FT

(T10)

