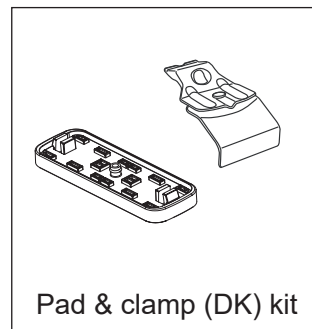
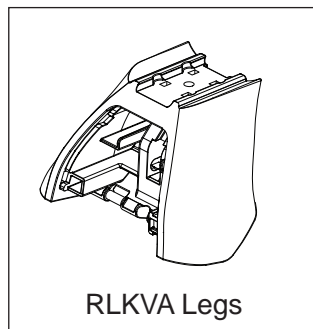
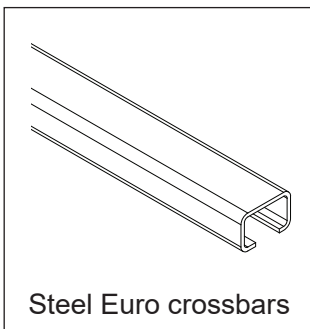


RHINO-RACK

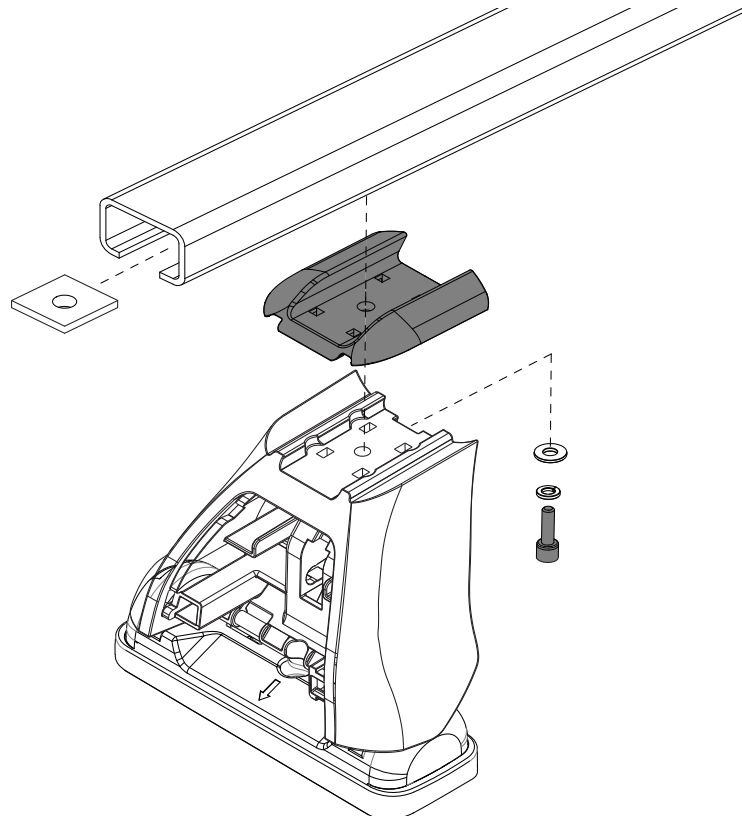
Steel Euro crossbar to 2500 Leg Fitment Supplement

- Important:**
- 1. Please refer to your fitting instruction to ensure that the roof racks are installed in the correct locations.
 - 2. Check the contents of kits before commencing fitment and report any discrepancies.
 - 3. Place these instructions in the vehicle's glove box after installation is complete.
 - 4. These instructions must be followed for warranty to be upheld.

1 **Note:** To complete installation, Steel Euro crossbars, RLKVA legs, Euro Bar adaptors and DK kits are required. Be sure to have all four kits before attempting to begin.

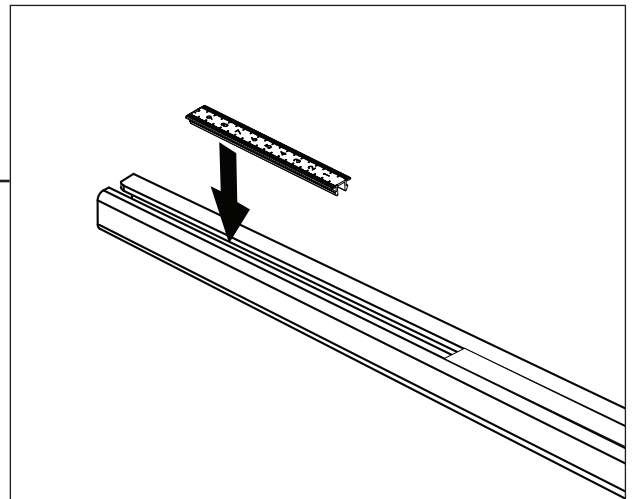
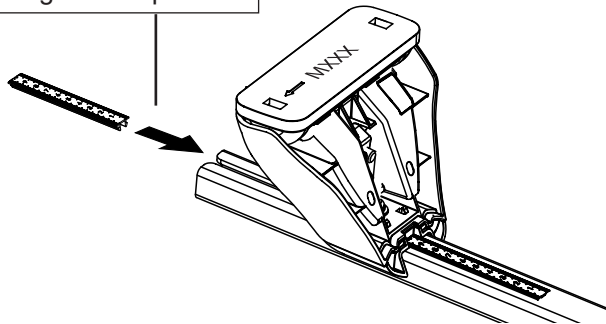
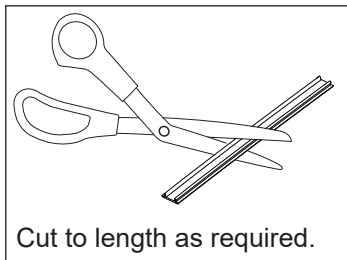


2 Fit EB-FK1 (Euro Bar Adaptor Kit) to the 2500 leg. **Note:** Spring and flat washer and M6 nuts are found in the leg kits.



Steel Euro crossbar to Leg Fitment Supplement

3 Refer to DK fitting instruction for vehicle make/model and to determine measuring strip length.



IMPORTANT NOTE: When viewing the DK fitting instruction, refer to the column with the **VA crossbar** and not the column of Alloy Eurobar as shown below.

VA crossbar

	VA	EURO
Front Left Pad/ Clamp		
Measurement strip length per side	151mm	38mm

example only



Alloy Euro crossbar

	VA	EURO	HD
Measurement strip length per side		62mm	
Measurement strip length per side			
Measurement Distance (x)			

example only

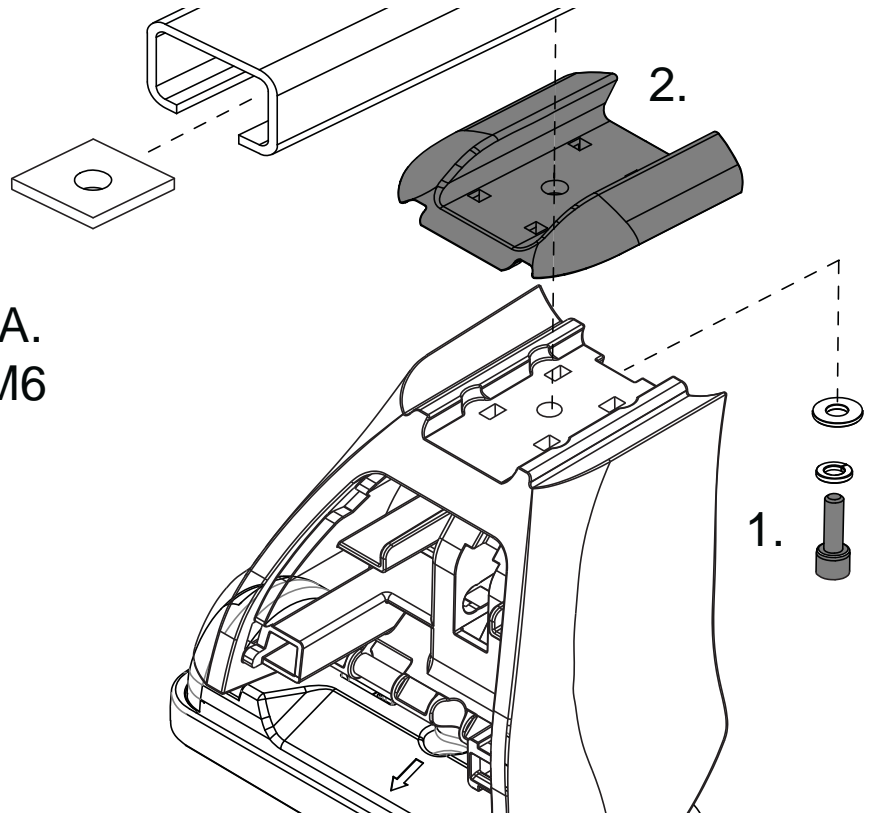


4 Continue to follow RLKVA instruction to finalise fitment.

RHINO-RACK

EB-FK1 - Euro Bar Adaptor Kit.

Note: For use with RLKVA.
Spring/flat washers and M6
nuts are found in leg kits.

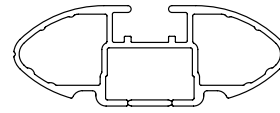


Item	Hardware kit	Qty	Part No.
1	M6x25mm HD Cap Screw	4	B039
2	Euro Bar Adaptor	4	M362
3	Instructions	1	R1760

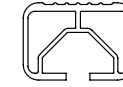


Rhino Rack 2500 Series - DK462 instruction

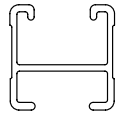
CROSSBAR IDENTIFICATION



VA crossbar



EURO crossbar



HD crossbar

Vehicle	Date	Crossbar	FRONT CROSSBAR					REAR CROSSBAR						
			Front Right Pad/Clamp	Front Left Pad/Clamp	Measurement strip length per side	Measurement strip length per side	Measurement Distance (x)	Foot plate arrow direction	Rear Right Pad/Clamp	Rear Left Pad/Clamp	Measurement strip length per side	Measurement strip length per side	Measurement Distance (x)	Foot plate arrow direction
Chevrolet Malibu 4dr Sedan	16-	1260mm	M415 SUB0264	M414 SUB0264	210mm	97mm	1068mm / 42,1/16"	OUT	M414 SUB0256	M415 SUB0256	201mm	88mm	1050mm / 41,5/16"	OUT
			Pad Arrow OUT						Pad Arrow OUT					

Caution is required when operating Sun roof

For RS703 Roof Rack only - Sun Roof must not be operated with roof racks installed.



Rhino Rack 2500 Series - DK462 instruction

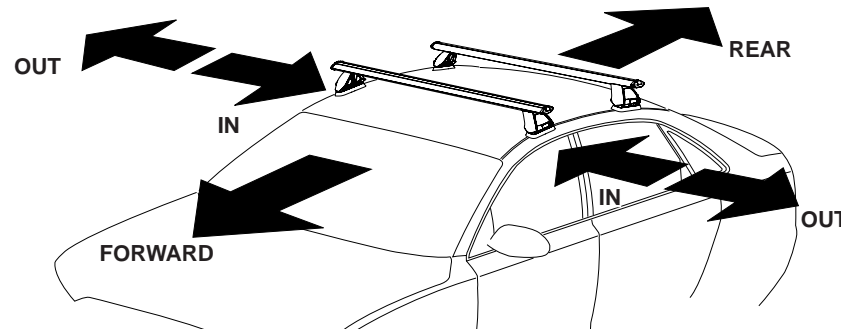
Measurement A: CENTRE of door jamb to CENTRE arrow of leg foot plate.

Measurement B: CENTRE of Front leg foot plate arrow to CENTRE of Rear leg foot plate arrow.

Carrying capacity: Roof rack is rated to 75kg. Please refer to manufacturers handbook for your vehicles maximum roof load capacity. Always use the lower of the two figures.

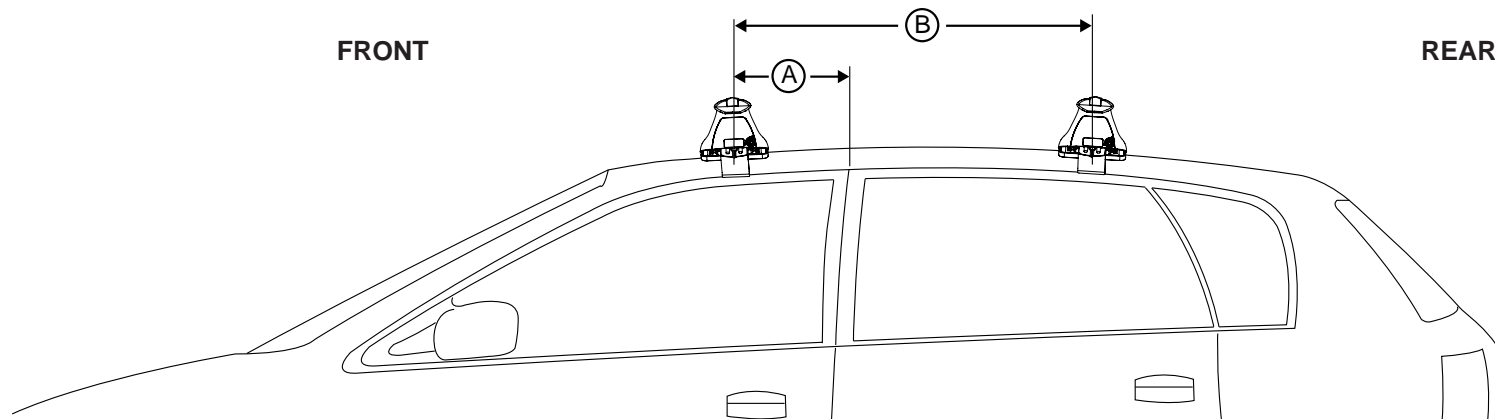
If your vehicle is not listed on this fitting instruction please refer to your countries Rhino-Rack web site for the latest information.

Direction of Pad Arrow
and Foot Plate Arrow
(Refer Page 1)



FRONT

REAR



VEHICLE	Date	Measurement A	Measurement B	Load Rating (includes racks 5kg/ 11lbs)
Chevrolet Malibu 4dr Sedan	16-	150mm / 5,15/16"	700mm / 27,9/16"	75kg / 165lbs

Accept no compromises, choose only quality roof racks.