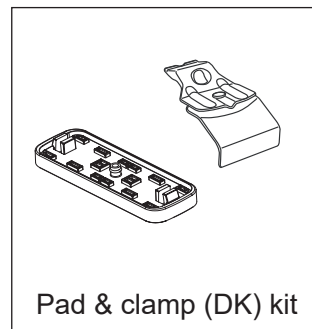
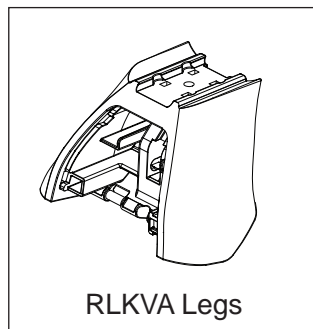
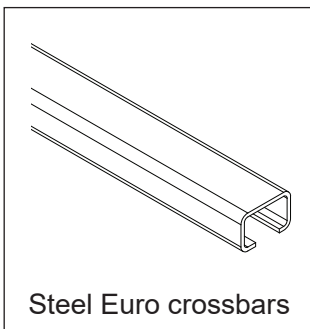


# RHINO-RACK

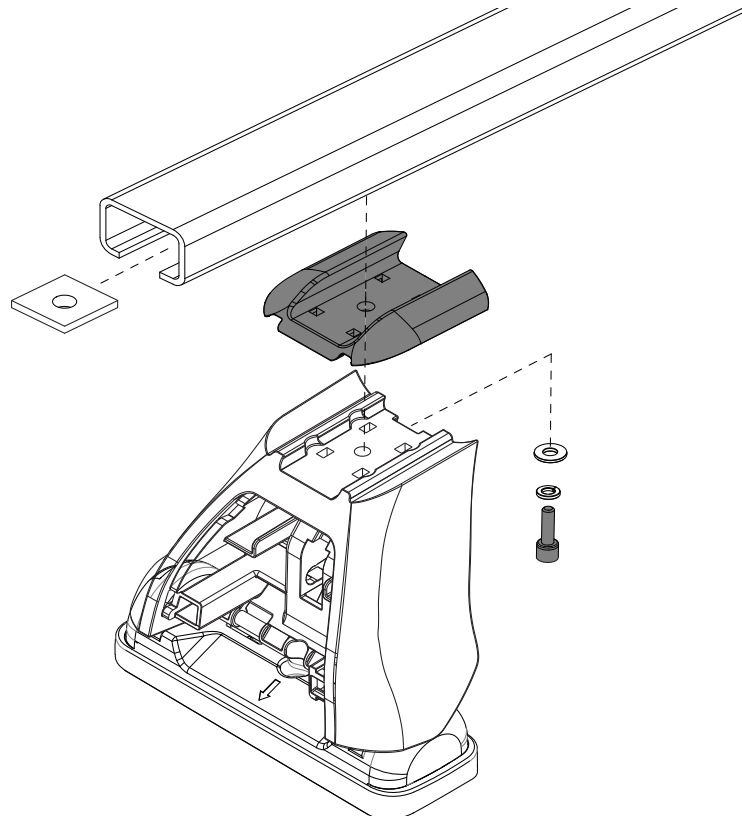
## Steel Euro crossbar to 2500 Leg Fitment Supplement

- Important:**
- 1. Please refer to your fitting instruction to ensure that the roof racks are installed in the correct locations.
  - 2. Check the contents of kits before commencing fitment and report any discrepancies.
  - 3. Place these instructions in the vehicle's glove box after installation is complete.
  - 4. These instructions must be followed for warranty to be upheld.

**1** **Note:** To complete installation, Steel Euro crossbars, RLKVA legs, Euro Bar adaptors and DK kits are required. Be sure to have all four kits before attempting to begin.

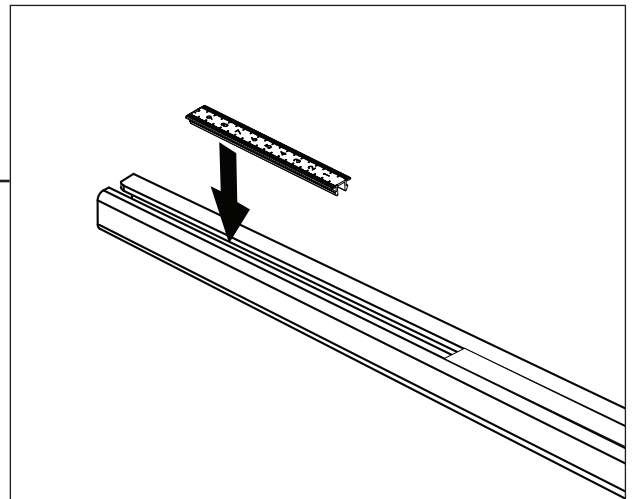
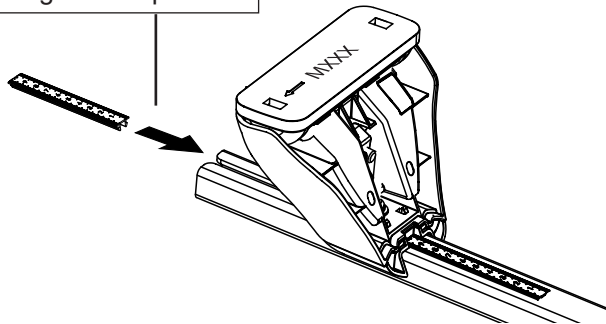
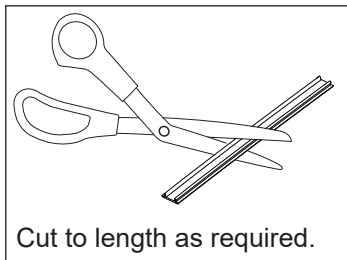


**2** Fit EB-FK1 (Euro Bar Adaptor Kit) to the 2500 leg. **Note:** Spring and flat washer and M6 nuts are found in the leg kits.



## Steel Euro crossbar to Leg Fitment Supplement

**3** Refer to DK fitting instruction for vehicle make/model and to determine measuring strip length.



**IMPORTANT NOTE:** When viewing the DK fitting instruction, refer to the column with the **VA crossbar** and not the column of Alloy Eurobar as shown below.

**VA crossbar**

	VA	EURO
Front Left Pad/ Clamp		
Measurement strip length per side	151mm	38mm

example only



**Alloy Euro crossbar**

	VA	EURO	HD
Measurement strip length per side		62mm	
Measurement strip length per side			
Measurement Distance (x)			

example only

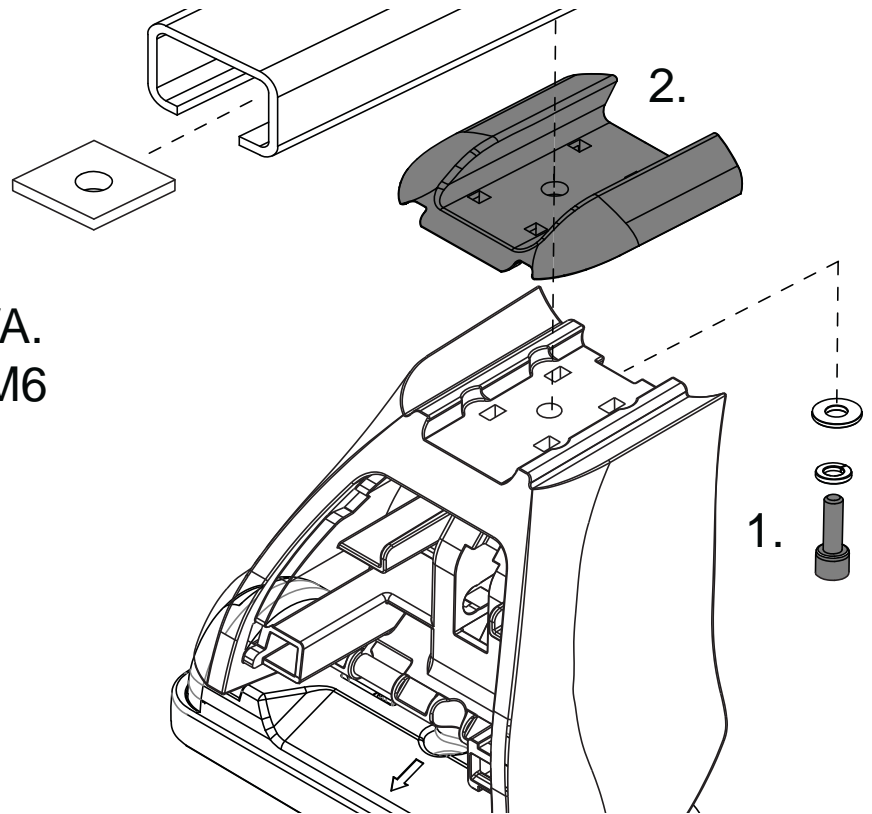


**4** Continue to follow RLKVA instruction to finalise fitment.

# RHINO-RACK

## EB-FK1 - Euro Bar Adaptor Kit.

**Note:** For use with RLKVA.  
Spring/flat washers and M6  
nuts are found in leg kits.



Item	Hardware kit	Qty	Part No.
1	M6x25mm HD Cap Screw	4	B039
2	Euro Bar Adaptor	4	M362
3	Instructions	1	R1760





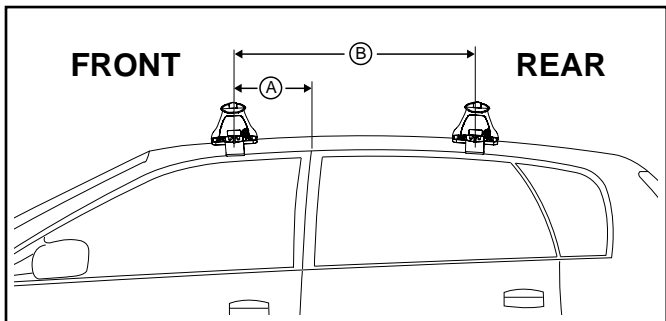
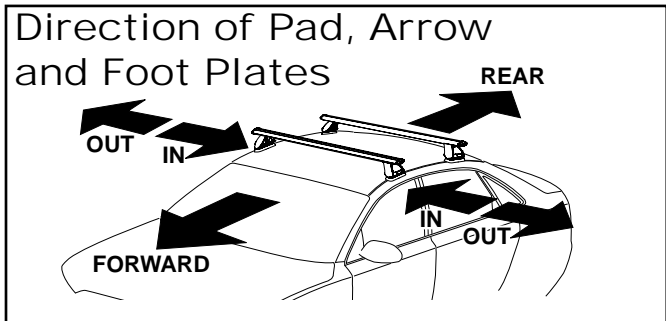
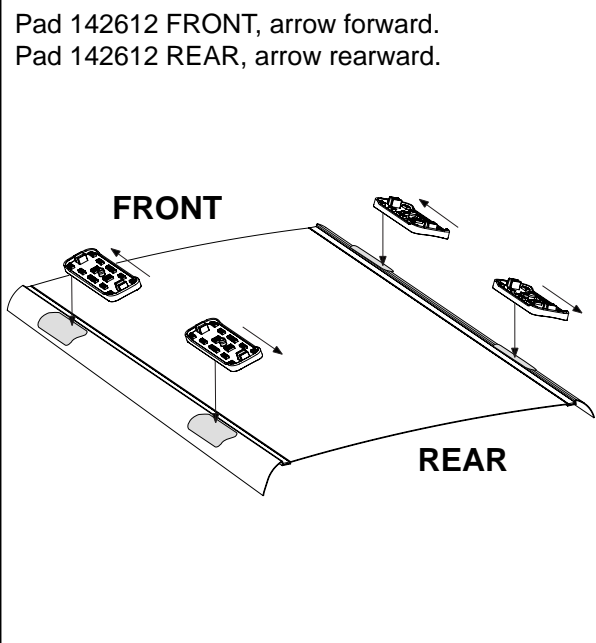
# DK312 Rhino-Rack VA, Aero, Euro & HD crossbar instruction

**Measurement A:** CENTRE of door jamb to CENTRE arrow of leg foot plate.

**Measurement B:** CENTRE of Front leg foot plate arrow to CENTRE of Rear leg foot plate arrow.

**Carrying capacity:** Roof rack is rated to 75kg. Please refer to manufacturers handbook for your vehicles maximum roof load capacity. Always use the lower of the two figures.

If your vehicle is not listed on this fitting instruction please refer to your countries Rhino-Rack web site for the latest information.



VEHICLE	Date	Measurement A	Measurement B	Load Rating (includes racks 5kg/ 11lbs)
Audi A5 2dr coupe 8T	2007-	490mm / 19,19/64"	725mm / 28,35/64"	75kg / 165lbs