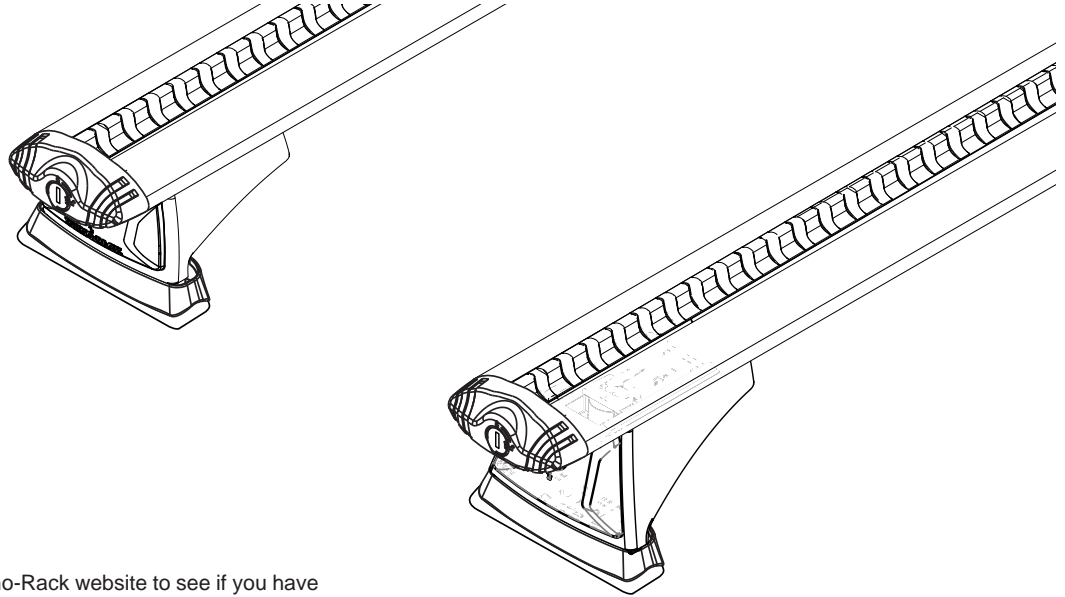




RHINO-RACK

RCL, RCH 2,4,6 Kits

Important: Please read these instructions carefully prior to installation. Please refer to your fitting instruction to ensure that the Roof Rack System is installed in the correct location. Check the contents of kit before commencing fitment and report any discrepancies. Place these instructions in the vehicle's glove box after installation is complete.



Note: Be sure to check Rhino-Rack website to see if you have the latest version of instructions before beginning installation.

Maximum load carrying capacity: 100kg / 220lbs

Important Information

1. Check Part No./Kit is correct
2. Read through instruction before installing
3. Fit roof rack accessory
4. Check and recheck all fasteners are secure

Maximum carrying capacity: Up to 100kg (220lbs) including the weight of the rack system.

Please refer to your vehicle manufacturers handbook for maximum carrying capacity. Always use the lower of the two figures. Load must be evenly distributed over the entire basket.

Warning: Do not attempt to fit the rack system to your vehicle unless you fully understand these fitting instructions. Please direct any questions regarding fitting to the dealer from where the roof racks were purchased.

Use only non-stretch fastening ropes or straps.

Recommendations: It is essential that all bolt connections be checked after driving a short distance when you first install your roof racks. Bolt connections should be checked again at regular intervals (once a week is enough, depending on road conditions, usage, loads and distances travelled). You should also check the roof racks each time they are re-fitted. Always make sure to fasten your load securely. Please also ensure that all loads are evenly distributed and that the centre of gravity is kept as low as possible and must be entirely contained within the extents of the roof racks. **Rack System must be removed when putting vehicle through an automatic car wash.**

Caution: The handling characteristics of the vehicle changes when you transport a load on the roof. For safety reasons we recommend you exercise extreme care when transporting wind-resistant loads. Special consideration must be taken into account when cornering and braking.

Off-road use:

The Roof Rack System may be used in off road applications, however a safety factor of 1.5 is enforced. That is, maximum permissible off road load is **66kg (145lbs)**. Although the crossbars are tested and approved to AS1235-2000/ 15011154, off-road conditions can be much more rigorous. Extreme care must be taken in off road conditions

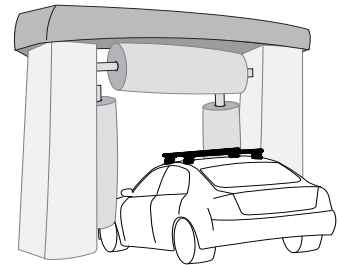
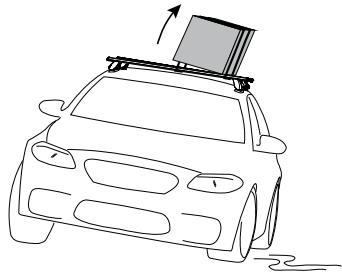
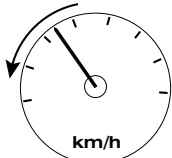
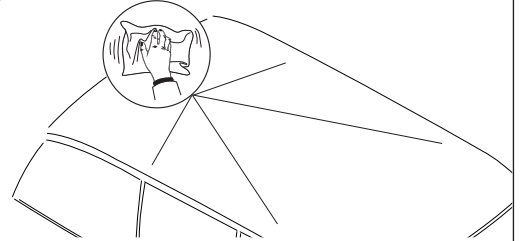
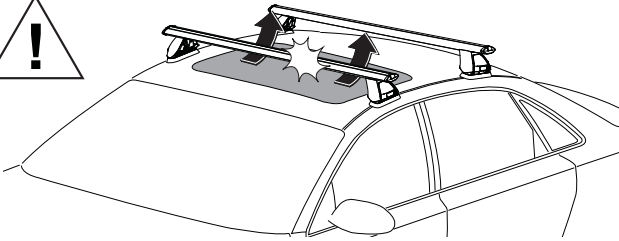
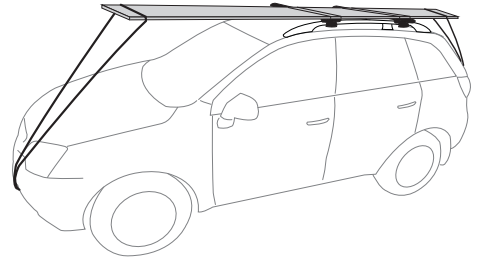
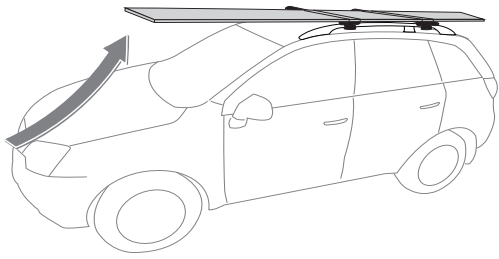
Note for Dealers and Fitters:

It is your responsibility to ensure these fitting instructions are given to the end user or client.

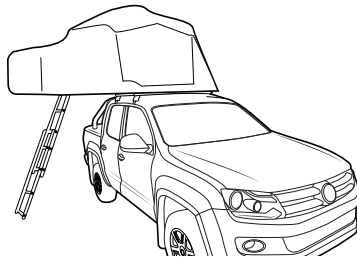
Rhino-Rack 3 Pike Street, Rydalmere,



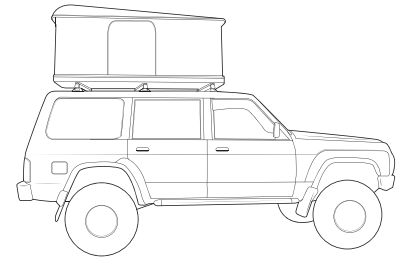
RCL, RCH 2,4,6 Kits



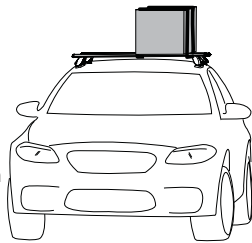
Ensure Ladder is well supported on the ground to help support tent. Take extreme caution when climbing heights above 1.2m/4ft.



It is required for Clam Shell Roof Top Tents to use a 3 Crossbar System.



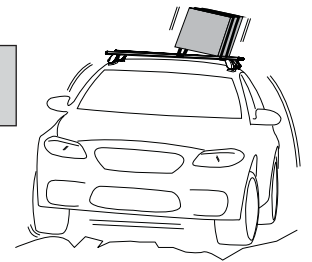
When these roof racks are to be used on a vehicle that is driven off sealed roads, the manufacturer maximum roof load rating (to be found in the vehicles User Manual) should be **divided by 1.5**. Do not forget to subtract the complete crossbar system weight from your maximum carrying capacity.



100kg/220lbs
(Urban Road)

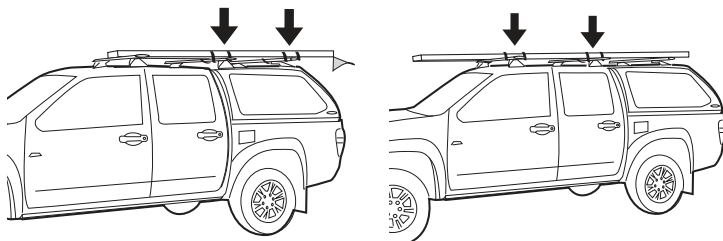


66kg/145lbs
(Off Road)

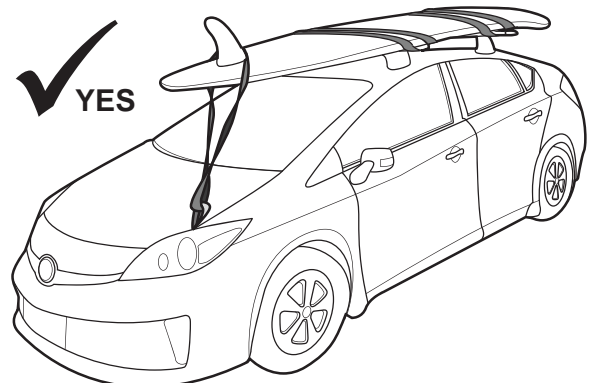


WARNING! Important Load Carrying Instructions

With utility vehicles, the cabin and the canopy move independently. Roof racks and vehicle can be damaged if the item transported is rigidly fixed at points on both the cabin and canopy. Instead, rigidly fix to either the cabin roof racks or the canopy roof racks.



Paddle/ Surfboards should be fixed to the front of the vehicle.

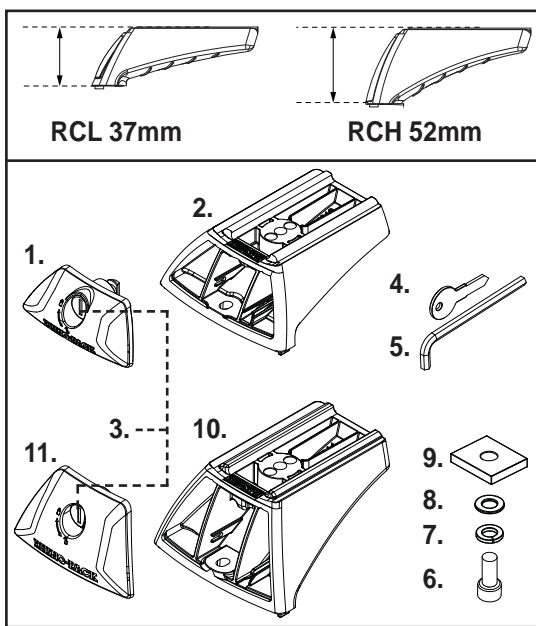




RCL, RCH 2,4,6 Kits

Parts List

Item	RCL	2 Kit Qty	4 Kit Qty	6 Kit Qty	Part No.
1	Locking Leg Cover (37mm)	2	4	6	M810
2	Locking Leg Base (37mm)	2	4	6	M813
3	Key Barrel	2	4	6	CA1339
4	Key	1	2	2	-
5	Allen Key	1	1	1	H034
6	M6 x 20mm Socket Head Screw	2	4	6	B054
7	M6 Spring Washer	2	4	6	W004
8	M6 x 16mm Flat Washer	2	4	6	W031
9	M6 Nut 30mm x 25mm	2	4	6	N035A
10	Instructions	1	1	1	R1182
Item	RCH	2 Kit Qty	4 Kit Qty	6 Kit Qty	Part No.
10	Locking Leg Cover (52mm)	2	4	6	M812
11	Locking Leg (52mm)	2	4	6	M811
3	Key Barrel	2	4	6	CA1339
4	Key	1	2	2	-
5	Allen Key	1	1	1	H021
6	M6 x 20mm Socket Head Screw	2	4	6	B054
7	M6 Spring Washer	2	4	6	W004
8	M6 x 16mm Flat Washer	2	4	6	W031
9	M6 Nut 30mm x 25mm	2	4	6	N035A
10	Instructions	1	1	1	R1182



Tools Required:

Allen Key (provided).
Metal Key (provided).

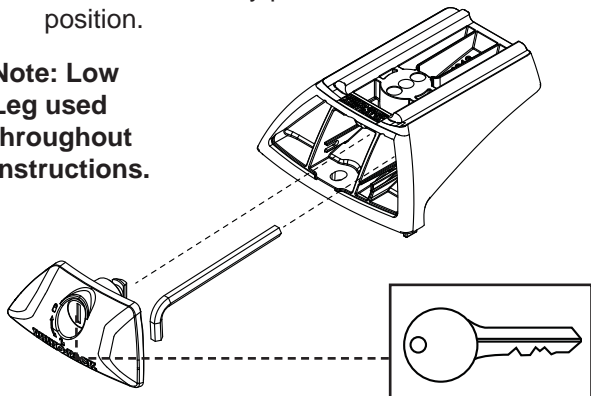
Notes:

Crossbars and Fit Kits are sold as separate and are required for individual vehicle fits.
Heavy Duty Bars will require a QMHD05 kit.

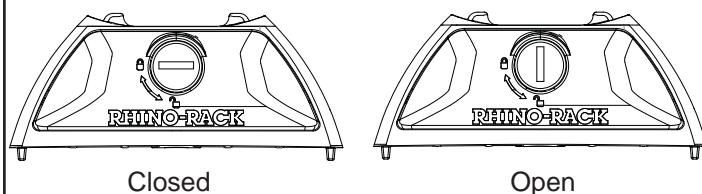
Instructions

- 1** Use the Metal Key provided to unlock the Cover Plate and remove. Remove the Allen Key from its storage position.

Note: Low Leg used throughout instructions.

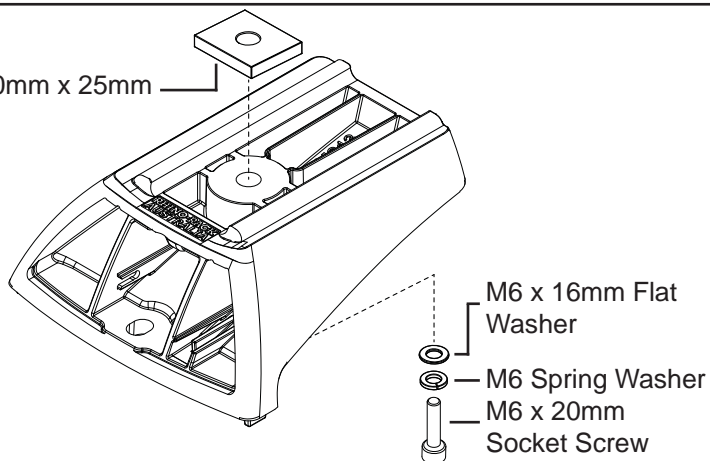


Front View:



- 2** Insert the M6 hardware as shown. Finger tighten only at this stage.

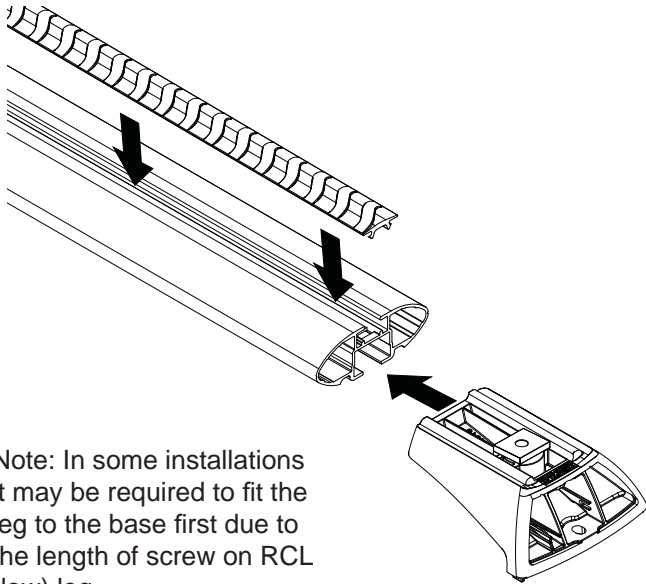
M6 Nut 30mm x 25mm





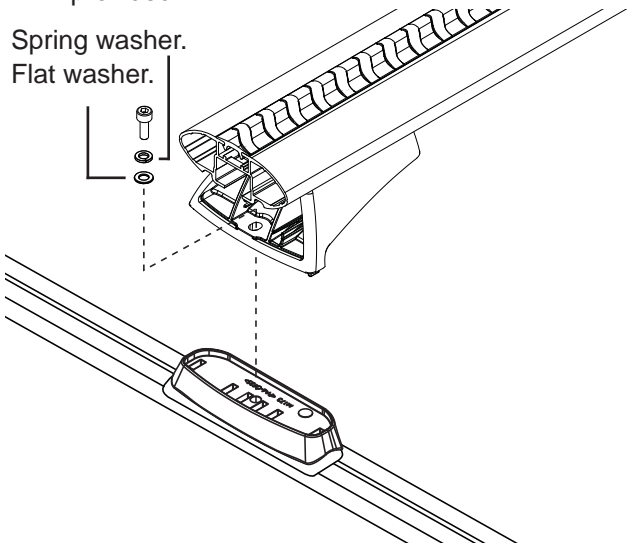
RCL, RCH 2,4,6 Kits

- 3** Slide the Assembled legs into the Crossbars as shown. Insert Vortex Rubber, cut to length as required.



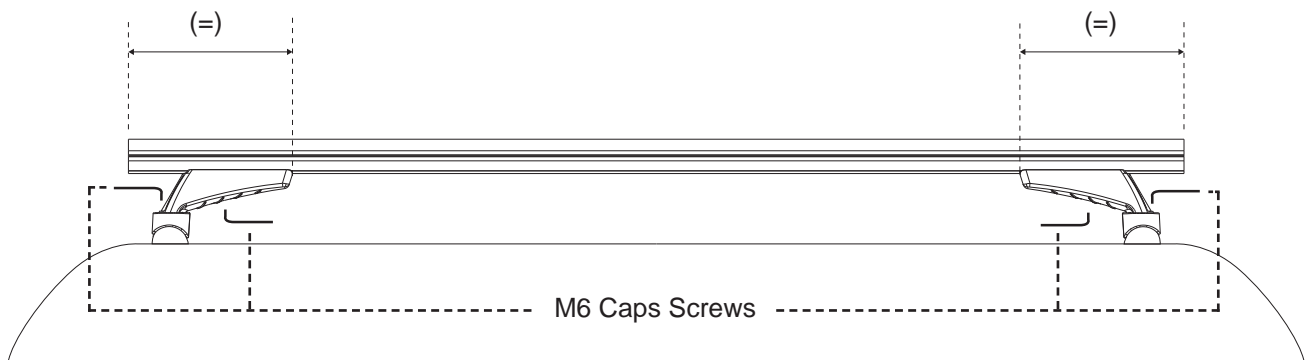
Note: In some installations it may be required to fit the leg to the base first due to the length of screw on RCL (low) leg.

- 4** Fix the Crossbars to the vehicle specific Base Kit that has been purchased, using the Allen Key provided.

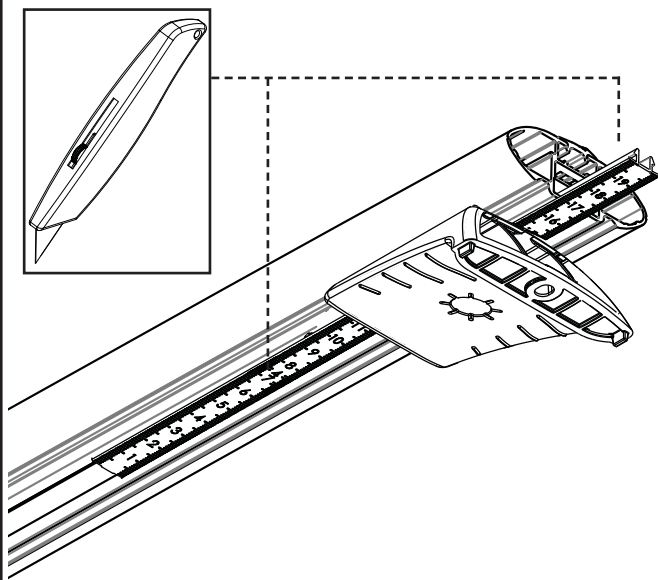


Note: Images are example only. RCL/RCH legs can be fit to either tracks or pads. Pads and track fit kits are sold as separate.

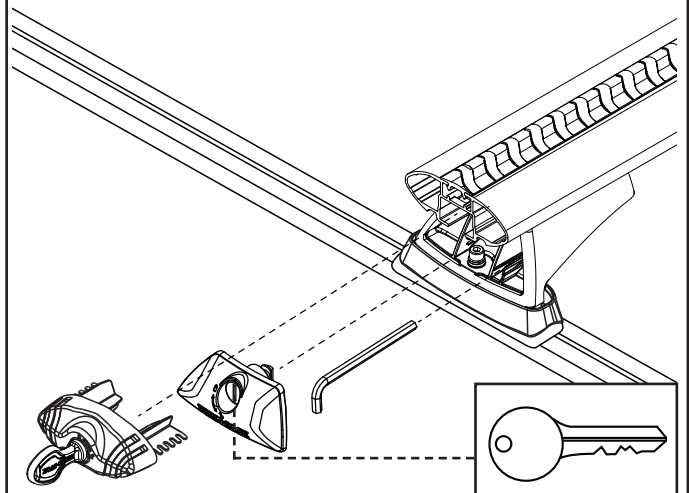
- 5** Ensure the Crossbars have an equal overhang. Tighten the M6 Leg Hardware with the Allen Key provided.



- 6** Insert the Underbar Strips into the slots either side of the installed Leg. Cut to length as required.



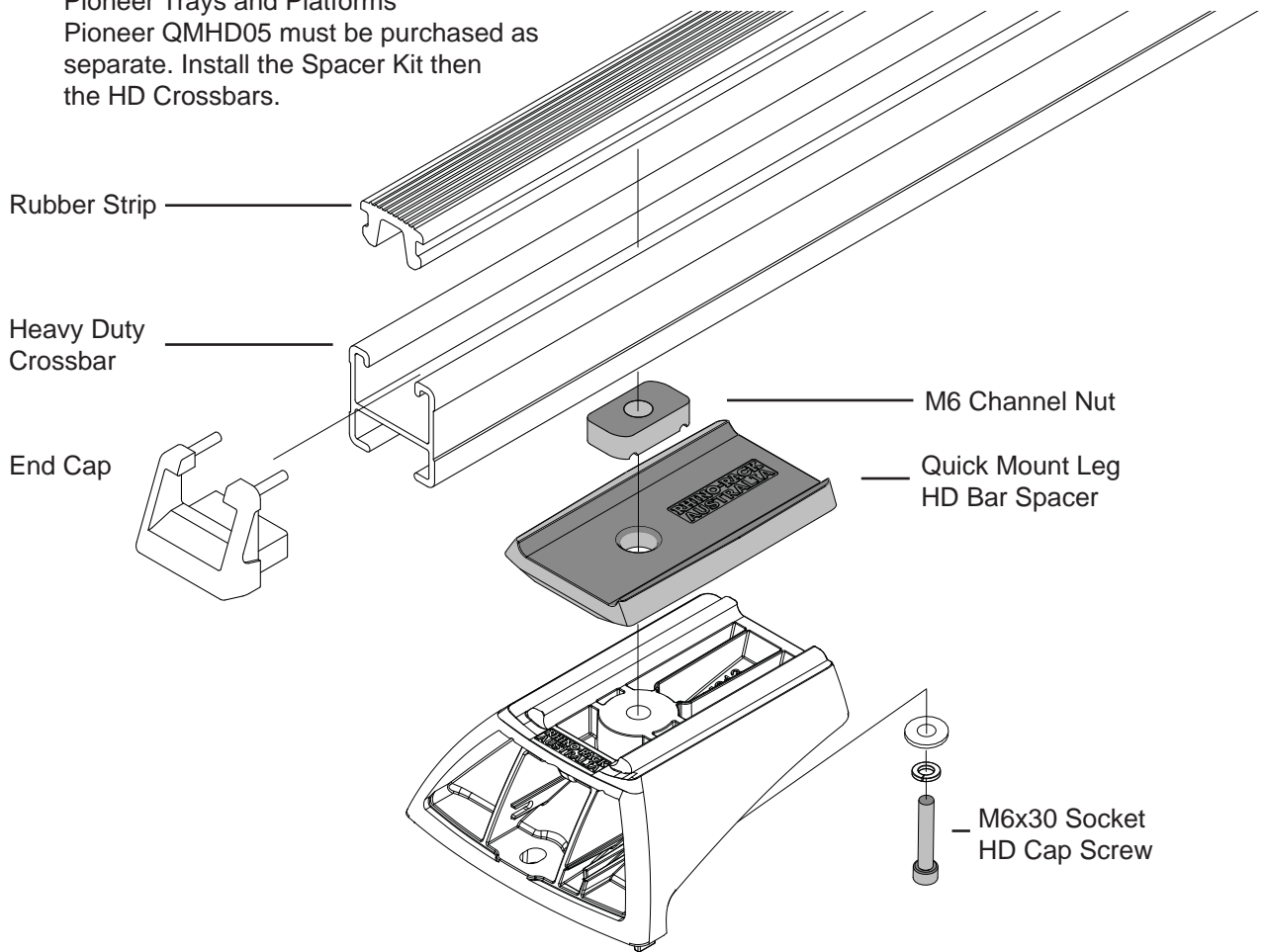
- 7** Insert the Crossbar End Caps and lock in place. Replace the Allen Key and Leg Cover. Lock the Leg Cover Plate with the key provided. Be sure all fixtures are secure before use.



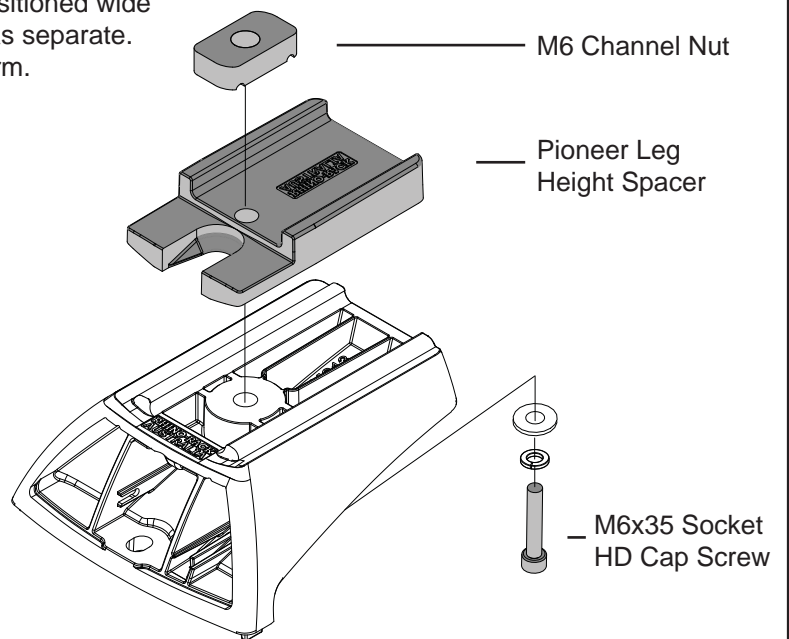


RCL, RCH 2,4,6 Kits

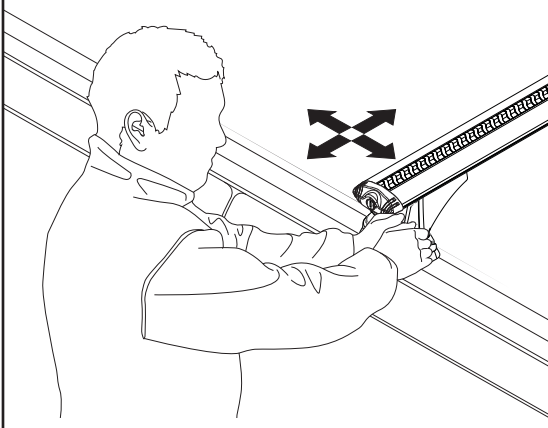
Note To fit Legs to Heavy Duty Crossbars, Pioneer Trays and Platforms Pioneer QMHD05 must be purchased as separate. Install the Spacer Kit then the HD Crossbars.



To fit Legs to Pioneer Trays/ Platforms, positioned wide on vehicle, QMPS10 must be purchased as separate. Install the Spacer Kit then the Tray/ Platform.



Check all fixtures are secure before use.



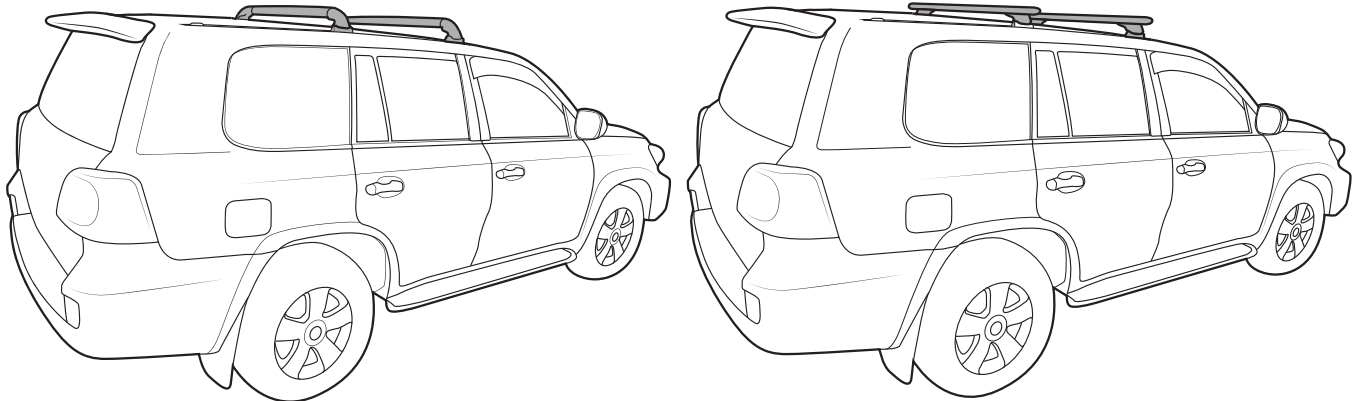


RHINO-RACK

RCP02-BK/ RCP02F-BK Toyota Landcruiser 100

Place these instructions in the vehicle's glove box after installation is complete.

Important: Please read these instructions carefully prior to installation. Please refer to your fitting instruction to ensure that the roof racks are installed in the correct locations. Check the contents of kit before commencing fitment and report any discrepancies.



Note: Crossbars and legs sold as separate.

Important Information

1. Check Part No./Kit is correct
2. Read through instruction before installing
3. Fit roof rack accessory
4. Check and recheck all fasteners are secure

Note: Be sure to check the Rhino-Rack website to see if you have the latest version of instructions before beginning installation.

Maximum carrying capacity: 80kg (176lbs) for 2 crossbars.

It is essential that all bolt connections be checked after driving a short distance when you first install your cross bars. Bolt connections should be checked again at regular intervals (probably once a week is enough, depending on road conditions, usage, loads and distances travelled). You should also check the cross bars each time they are refitted.

Make sure to fasten your load securely. Please ensure that all loads are evenly distributed and that the centre of gravity is kept as low as possible. **Use only non-stretch fastening ropes or straps.**

Sensitivity to cross winds, behaviour in curves and braking.

The handling characteristics of the vehicle, changes when you transport a load on the roof. For safety reasons, we recommend you exercise extreme care when transporting wind-resisting loads; special consideration must be taken into account when braking.

Please remove cross bars when putting vehicle through an automatic car wash.

Load rating.

Maximum permissible load is per pair of cross bars is **80kg (176lbs)** (include the weight of the roof racks, 5kg). When crossbars are to be used in off-road conditions, please build a safety factor of 1.5 into this load limit, (53kg/116lbs for off-road use). Although the roof racks are tested and approved to AS1235-2000, Australian road conditions can be much more rigorous. However, increasing the number of cross bars does not increase the vehicles maximum permissible roof loading.

Note for Dealers and Fitters.

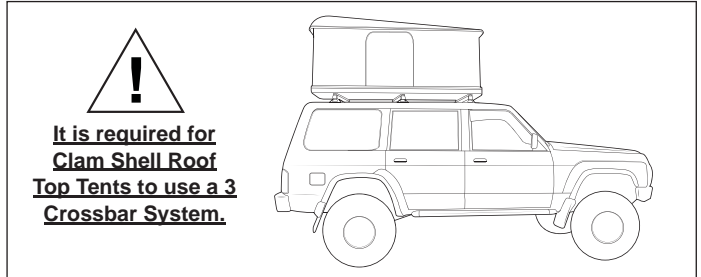
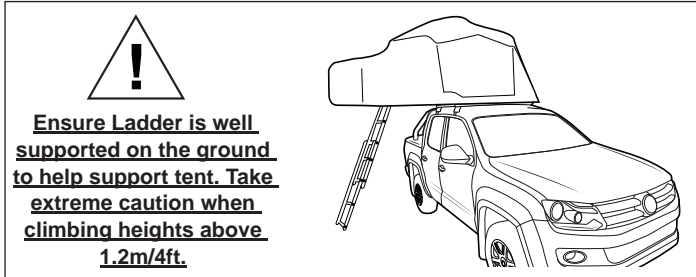
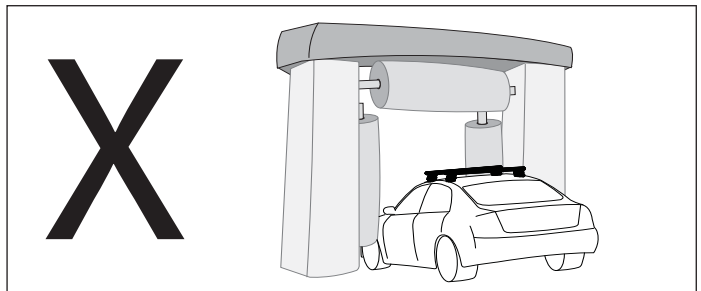
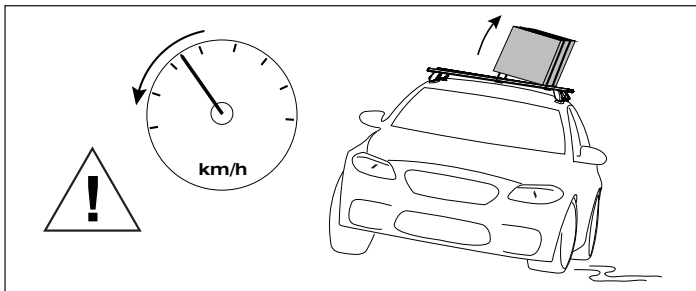
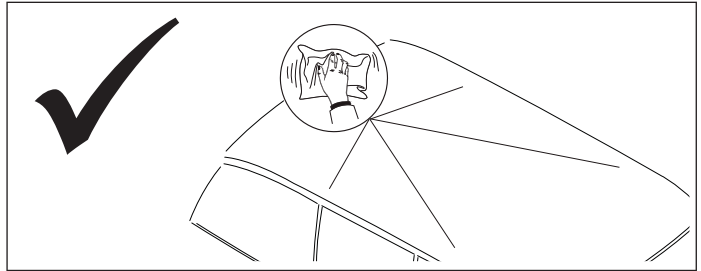
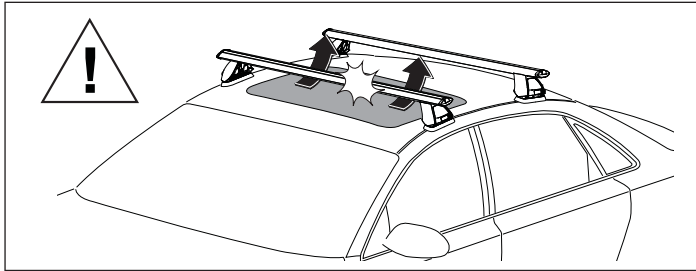
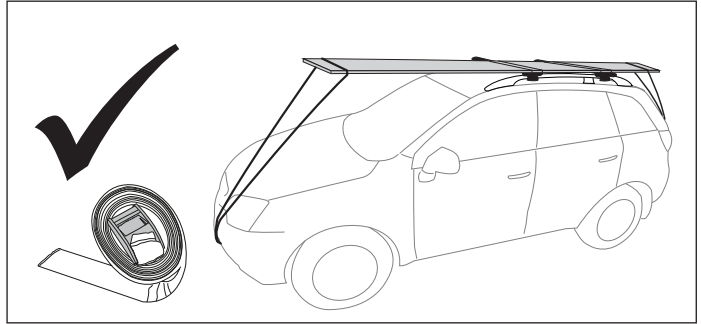
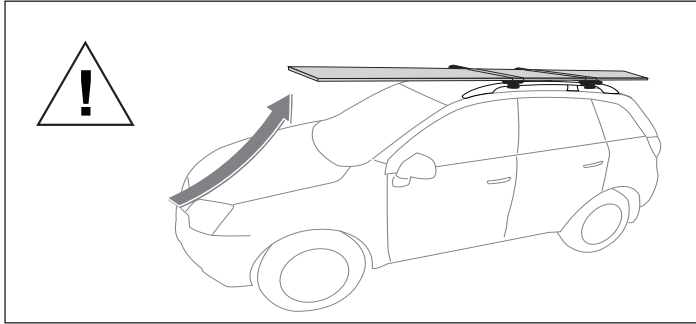
It is your responsibility to ensure instructions are given to the end user or client

Rhino-Rack

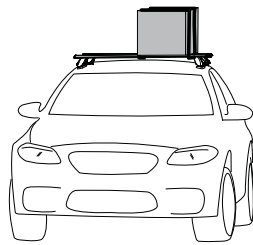
3 Pike Street, Rydalmere,



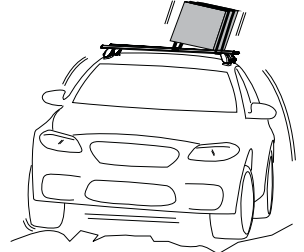
RCP02-BK/ RCP02F-BK Toyota Landcruiser 100



When these roof racks are to be used on a vehicle that is driven off sealed roads the maximum load rating must be divided by 1.5. Remember to subtract the weight of the roof racks to determine your maximum permissible load capacity.



3 bars 120kg (246lbs) load rating (Urban road) = 2 bars 80kg (176lbs) load rating (Off road)
Load rating not taking into account crossbar weight - 5kg



WARNING! Important Load Carrying Instructions

With utility vehicles, the cabin and the canopy move independently. Roof racks and vehicle can be damaged if the item transported is rigidly fixed at points on both the cabin and canopy. Instead, rigidly fix to either the cabin roof racks or the canopy roof racks.

NO (Incorrect: Rigidly fixed to both cabin and canopy)

YES (Correct: Rigidly fixed to either cabin or canopy)

Paddle/ Surfboards should be fixed to the front of the vehicle.

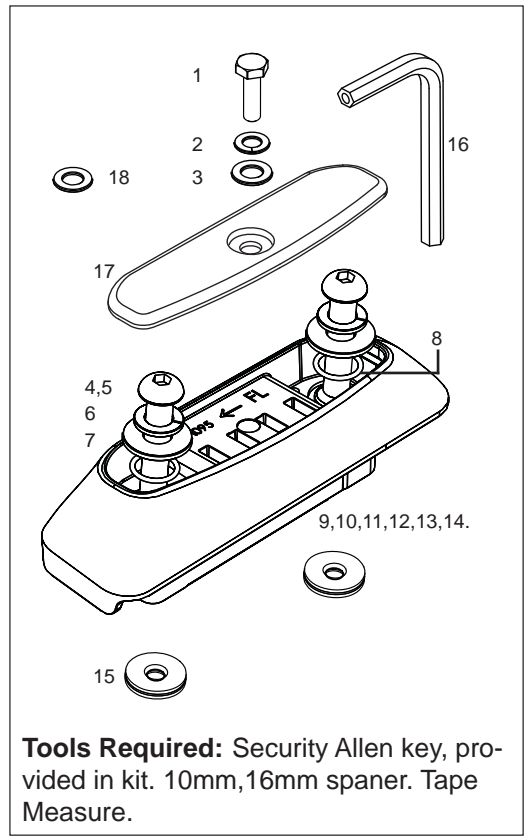
YES



RCP02-BK/ RCP02F-BK Toyota Landcruiser 100

Parts List

Item	Component Name	F Bar Qty	3 Bar Qty	Part No.
1	M6 x 30 Hex Setscrew	2	6	B202
2	M6 Spring Washer	2	6	W004
3	M6 Flat Washer 16mm	2	6	W031
4	M8 x 50mm Button Head Screw	4	8	B126
5	M8 x 40mm Button Head Screw	-	4	B127
6	M8 Spring Washer	4	12	W019
7	M8 Flat Washer	4	12	W030
8	O-Ring	4	12	C299
9	Front Left Mounting Pad with Gasket	1	1	M095
10	Front Right Mounting Pad with Gasket	1	1	M096
11	Middle Left Mounting Pad with Gasket	-	1	M097
12	Middle Right Mounting Pad with Gasket	-	1	M098
13	Rear Right Mounting Pad with Gasket	-	1	M100
14	Rear Left Mounting Pad with Gasket	-	1	M099
15	Gasket Washer	4	12	C372
16	5mm Security Allen Key	1	1	H021
17	Cover Plate	2	6	M126
18	M6 Washer (used on cover plate)	2	6	W003
19	Fitting Instructions	1	1	R1303



Instructions

1 Remove the roof rack attachment point covers, exposed bolts and brackets. Store covers, bolts and brackets for future use if racks are removed.

NOTE: The existing bolts and washers are not used to fit the mounting pads.

2 Each mounting pad is identified with a part number, position code and direction arrow. The arrow must point toward the front of the vehicle.

The mounting pad position codes are as follows:

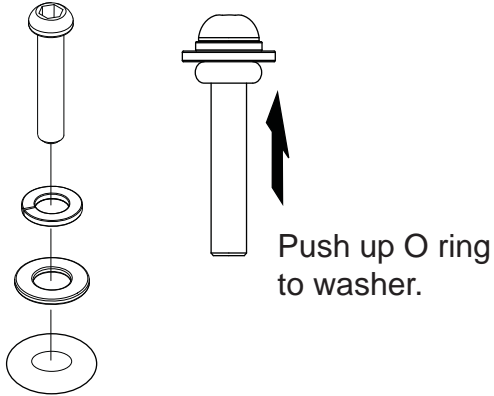
- FL - Front left side pad
- FR - Front right side pad
- ML - Middle left side pad
- MR - Middle right side pad
- RL - Rear Left side pad
- RR - Rear Right side pad

3 Using the mounting pad layout pictured below as a guide, place the pads onto their respective positions.

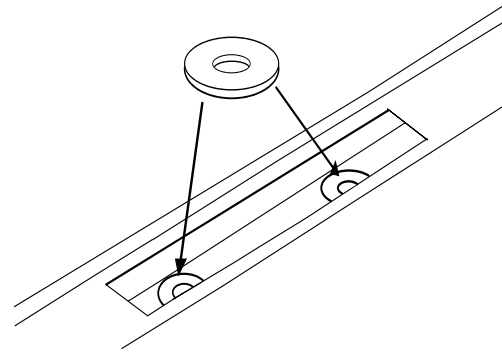


RCP02-BK/ RCP02F-BK Toyota Landcruiser 100

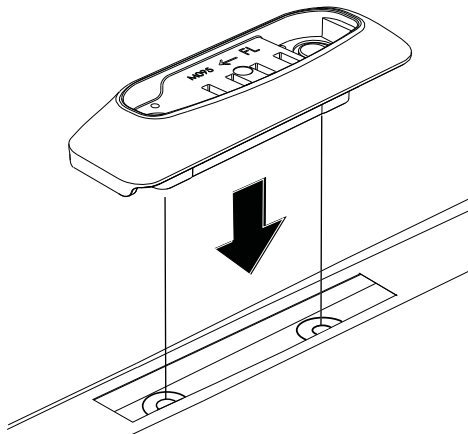
4 Place the M8 spring and flat washer onto the M8 screw. Place the O ring on to the screw and push the O ring up against the flat washer. The front and rear mounting pads use M8 x 50mm button head screws and the middle-mounting pads use M8 x 40mm button head screws.



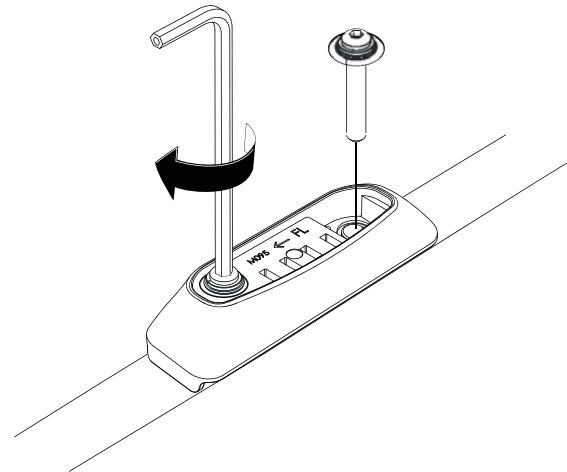
5 Place the mounting pad washer gasket in the gutter recess and align the hole in the washer gasket with the mounting pad nutserts.



6 Insert the mounting pad through the cover trim and into the roof gutter at the positions shown on the roof layout (step 3). Ensure that the arrows on the pads are pointing to the front of the vehicle and the holes in the washer gasket are aligned with the mounting pad holes.



7 Insert the assembled M8 screws through the mounting pads and screw into the nutserts in the vehicles roof. Tighten all screws using the allen key provided. Recommended tightening torque 15Nm. **DO NOT OVER TIGHTEN.**



10 When crossbars are not in use, install the pad mount cover plates as shown.

