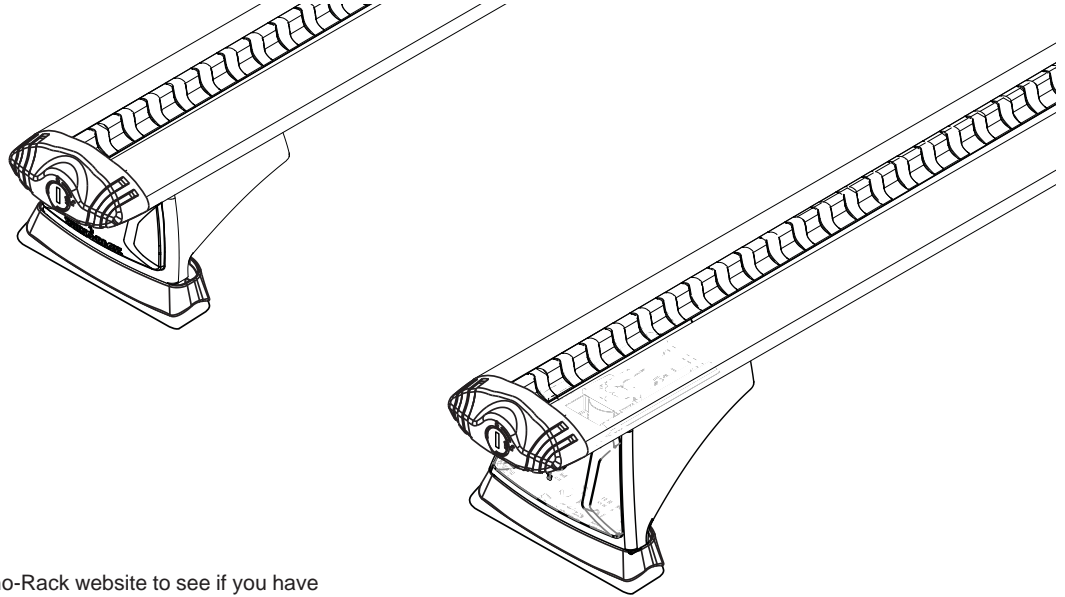




# RHINO-RACK

## RCL, RCH 2,4,6 Kits

**Important:** Please read these instructions carefully prior to installation. Please refer to your fitting instruction to ensure that the Roof Rack System is installed in the correct location. Check the contents of kit before commencing fitment and report any discrepancies. Place these instructions in the vehicle's glove box after installation is complete.



**Note:** Be sure to check Rhino-Rack website to see if you have the latest version of instructions before beginning installation.

**Maximum load carrying capacity: 100kg / 220lbs**

### Important Information

1.  Check Part No./Kit is correct
2.  Read through instruction before installing
3.  Fit roof rack accessory
4.  Check and recheck all fasteners are secure

**Maximum carrying capacity: Up to 100kg (220lbs)** including the weight of the rack system.

Please refer to your vehicle manufacturers handbook for maximum carrying capacity. Always use the lower of the two figures. Load must be evenly distributed over the entire basket.

**Warning:** Do not attempt to fit the rack system to your vehicle unless you fully understand these fitting instructions. Please direct any questions regarding fitting to the dealer from where the roof racks were purchased.

**Use only non-stretch fastening ropes or straps.**

**Recommendations:** It is essential that all bolt connections be checked after driving a short distance when you first install your roof racks. Bolt connections should be checked again at regular intervals (once a week is enough, depending on road conditions, usage, loads and distances travelled). You should also check the roof racks each time they are re-fitted. Always make sure to fasten your load securely. Please also ensure that all loads are evenly distributed and that the centre of gravity is kept as low as possible and must be entirely contained within the extents of the roof racks. **Rack System must be removed when putting vehicle through an automatic car wash.**

**Caution:** The handling characteristics of the vehicle changes when you transport a load on the roof. For safety reasons we recommend you exercise extreme care when transporting wind-resistant loads. Special consideration must be taken into account when cornering and braking.

**Off-road use:**

The Roof Rack System may be used in off road applications, however a safety factor of 1.5 is enforced. That is, maximum permissible off road load is **66kg (145lbs)**. Although the crossbars are tested and approved to AS1235-2000/ 15011154, off-road conditions can be much more rigorous. Extreme care must be taken in off road conditions

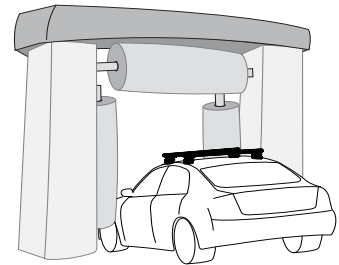
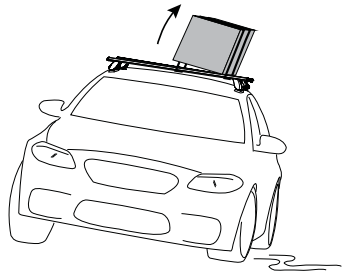
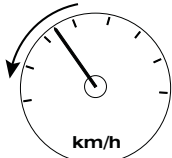
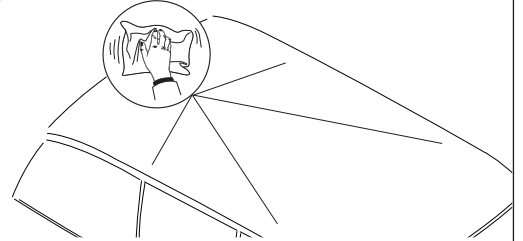
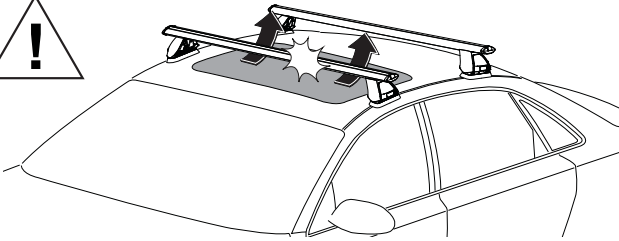
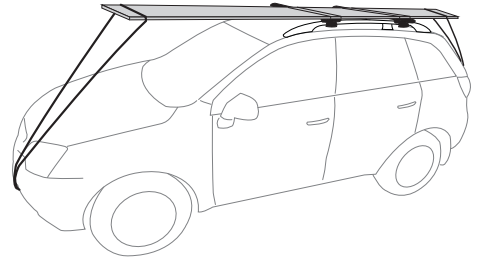
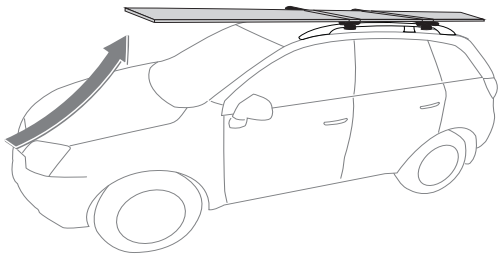
**Note for Dealers and Fitters:**

It is your responsibility to ensure these fitting instructions are given to the end user or client.

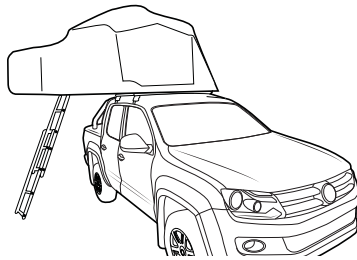
Rhino-Rack 3 Pike Street, Rydalmere,



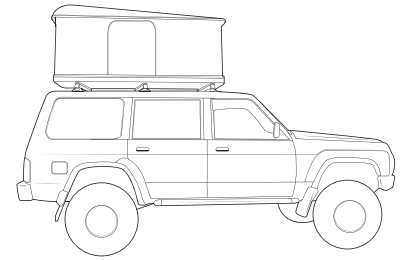
# RCL, RCH 2,4,6 Kits



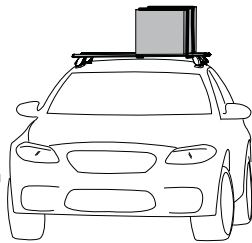
**Ensure Ladder is well supported on the ground to help support tent. Take extreme caution when climbing heights above 1.2m/4ft.**



**It is required for Clam Shell Roof Top Tents to use a 3 Crossbar System.**



When these roof racks are to be used on a vehicle that is driven off sealed roads, the manufacturer maximum roof load rating (to be found in the vehicles User Manual) should be **divided by 1.5**. Do not forget to subtract the complete crossbar system weight from your maximum carrying capacity.



**100kg/220lbs**  
(Urban Road)

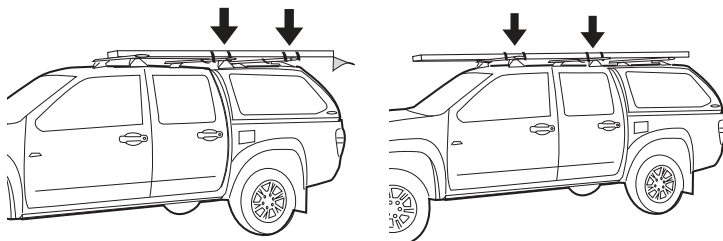


**66kg/145lbs**  
(Off Road)

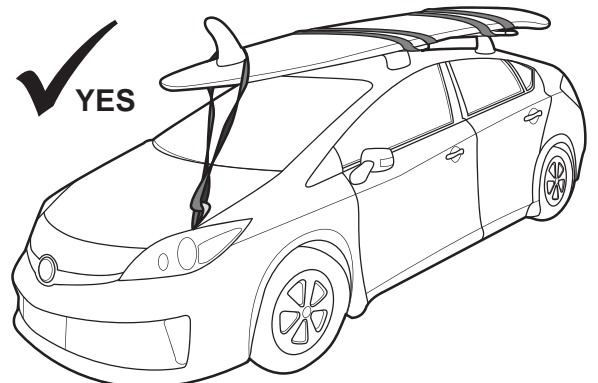


## WARNING! Important Load Carrying Instructions

With utility vehicles, the cabin and the canopy move independently. Roof racks and vehicle can be damaged if the item transported is rigidly fixed at points on both the cabin and canopy. Instead, rigidly fix to either the cabin roof racks or the canopy roof racks.



Paddle/ Surfboards should be fixed to the front of the vehicle.

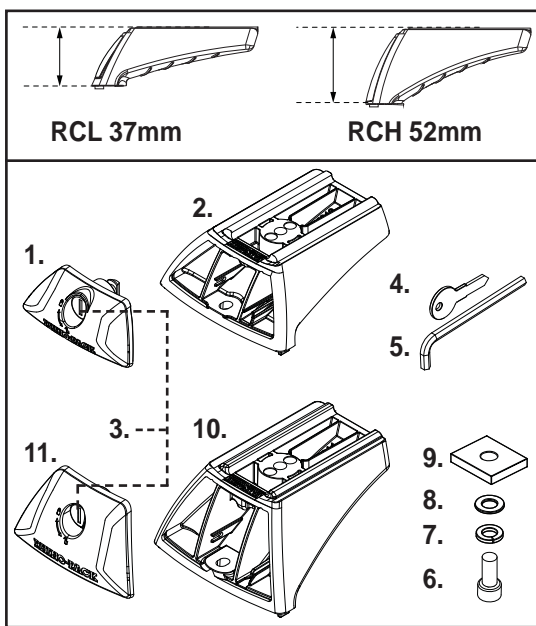




# RCL, RCH 2,4,6 Kits

## Parts List

Item	RCL	2 Kit Qty	4 Kit Qty	6 Kit Qty	Part No.
1	Locking Leg Cover (37mm)	2	4	6	M810
2	Locking Leg Base (37mm)	2	4	6	M813
3	Key Barrel	2	4	6	CA1339
4	Key	1	2	2	-
5	Allen Key	1	1	1	H034
6	M6 x 20mm Socket Head Screw	2	4	6	B054
7	M6 Spring Washer	2	4	6	W004
8	M6 x 16mm Flat Washer	2	4	6	W031
9	M6 Nut 30mm x 25mm	2	4	6	N035A
10	Instructions	1	1	1	R1182
Item	RCH	2 Kit Qty	4 Kit Qty	6 Kit Qty	Part No.
10	Locking Leg Cover (52mm)	2	4	6	M812
11	Locking Leg (52mm)	2	4	6	M811
3	Key Barrel	2	4	6	CA1339
4	Key	1	2	2	-
5	Allen Key	1	1	1	H021
6	M6 x 20mm Socket Head Screw	2	4	6	B054
7	M6 Spring Washer	2	4	6	W004
8	M6 x 16mm Flat Washer	2	4	6	W031
9	M6 Nut 30mm x 25mm	2	4	6	N035A
10	Instructions	1	1	1	R1182



### Tools Required:

Allen Key (provided).  
Metal Key (provided).

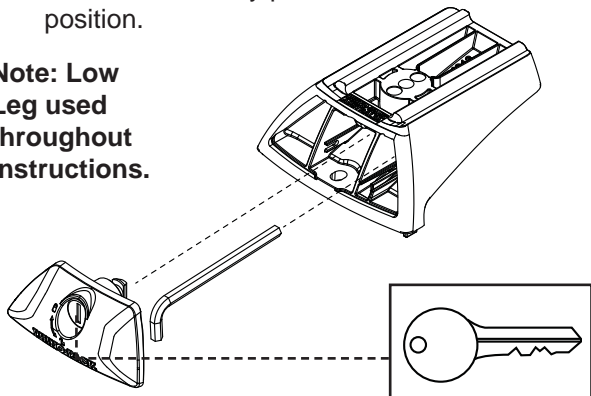
### Notes:

Crossbars and Fit Kits are sold as separate and are required for individual vehicle fits.  
Heavy Duty Bars will require a QMHD05 kit.

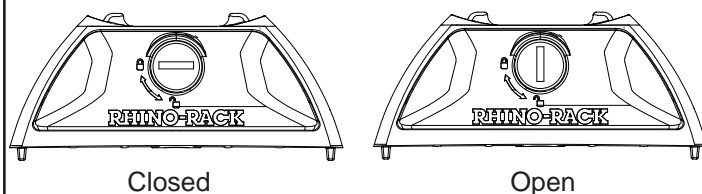
## Instructions

- 1** Use the Metal Key provided to unlock the Cover Plate and remove. Remove the Allen Key from its storage position.

**Note: Low Leg used throughout instructions.**

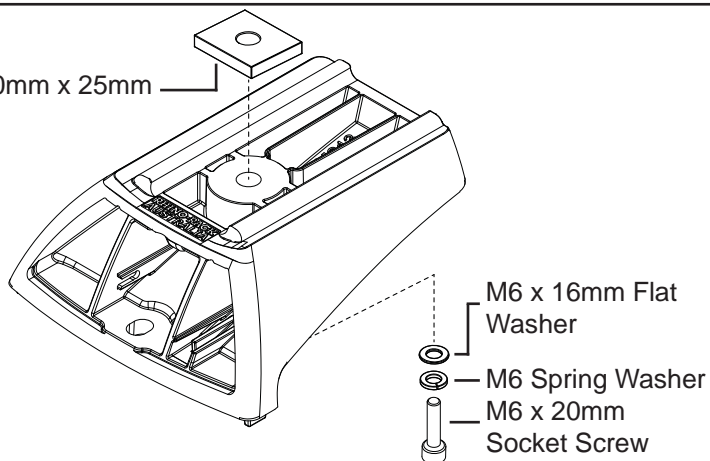


Front View:



- 2** Insert the M6 hardware as shown. Finger tighten only at this stage.

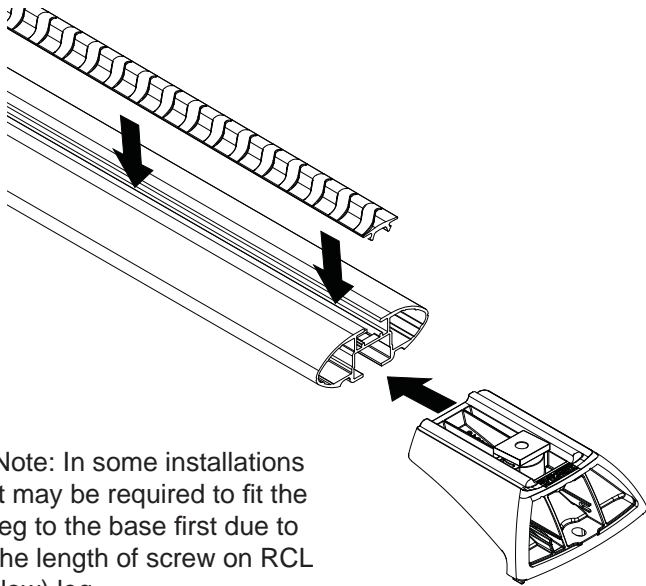
M6 Nut 30mm x 25mm





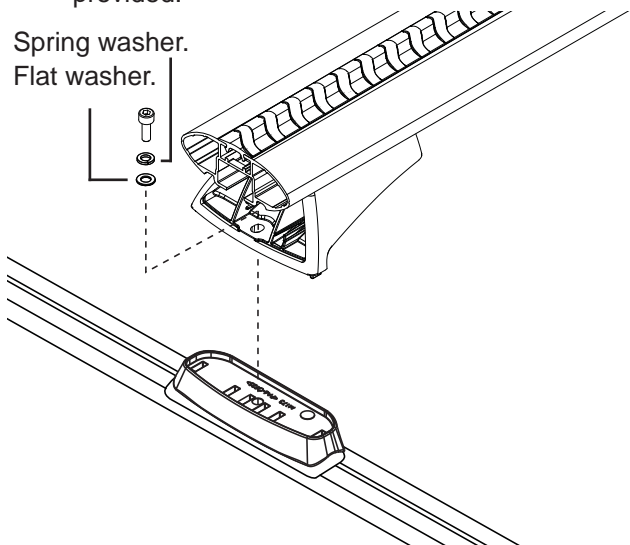
## RCL, RCH 2,4,6 Kits

- 3** Slide the Assembled legs into the Crossbars as shown. Insert Vortex Rubber, cut to length as required.



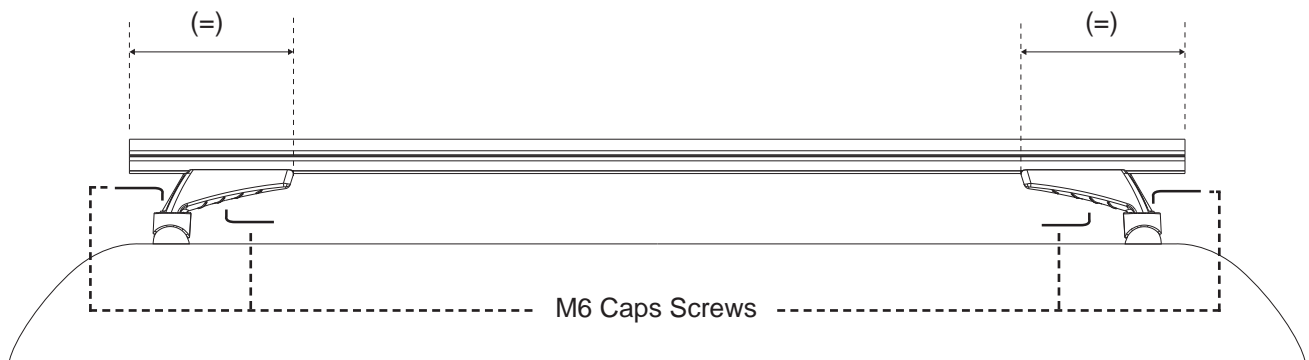
Note: In some installations it may be required to fit the leg to the base first due to the length of screw on RCL (low) leg.

- 4** Fix the Crossbars to the vehicle specific Base Kit that has been purchased, using the Allen Key provided.

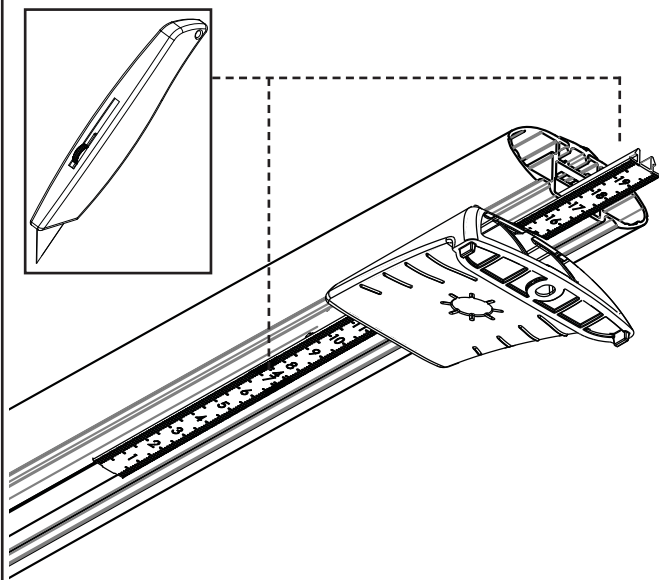


Note: Images are example only. RCL/RCH legs can be fit to either tracks or pads. Pads and track fit kits are sold as separate.

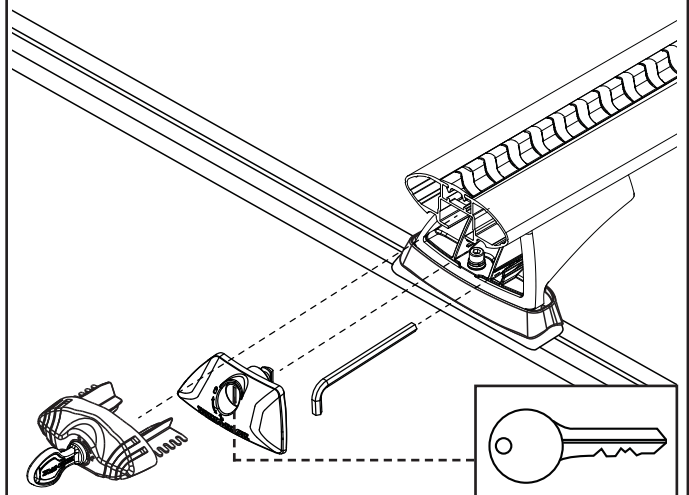
- 5** Ensure the Crossbars have an equal overhang. Tighten the M6 Leg Hardware with the Allen Key provided.



- 6** Insert the Underbar Strips into the slots either side of the installed Leg. Cut to length as required.



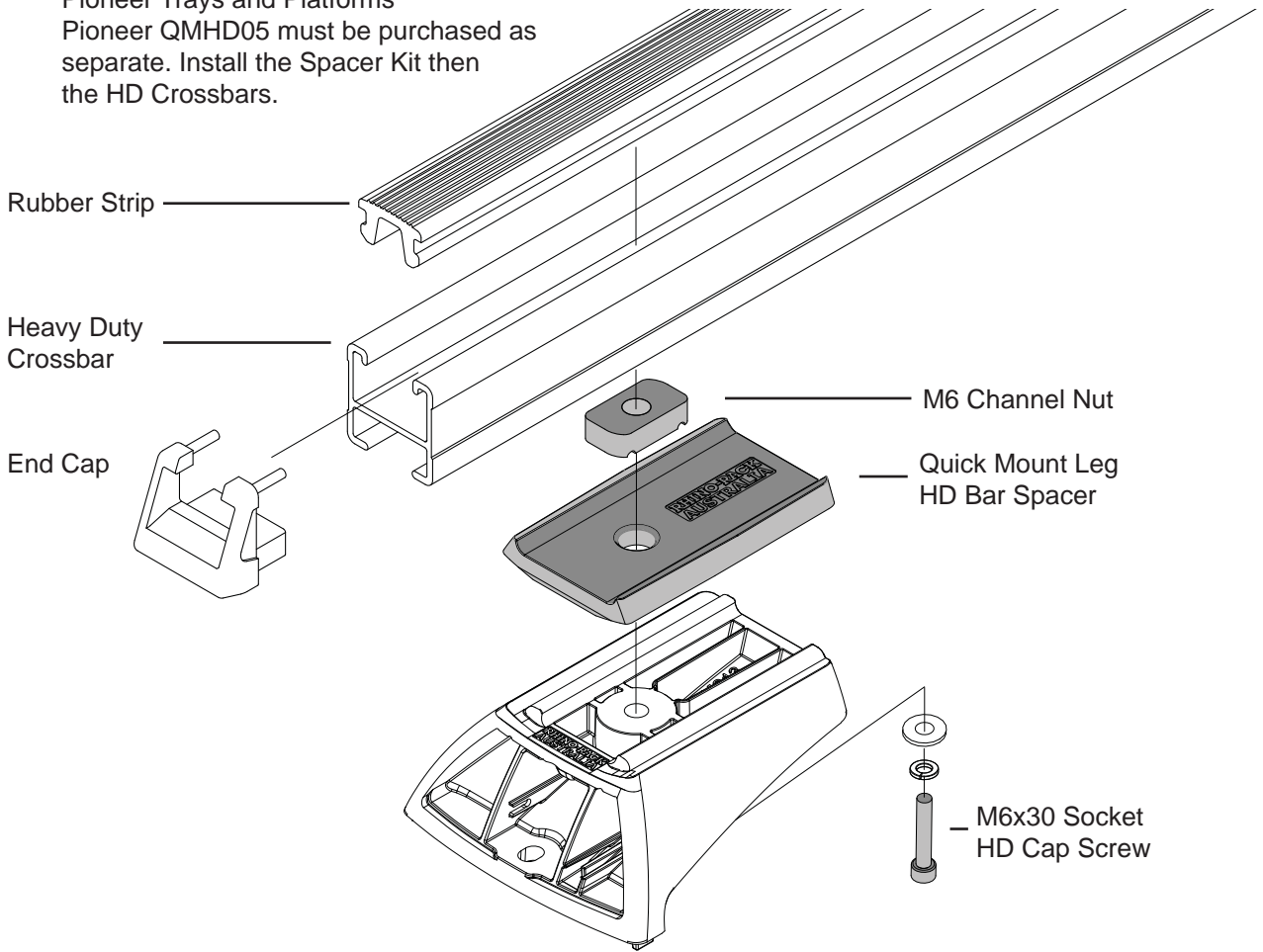
- 7** Insert the Crossbar End Caps and lock in place. Replace the Allen Key and Leg Cover. Lock the Leg Cover Plate with the key provided. Be sure all fixtures are secure before use.



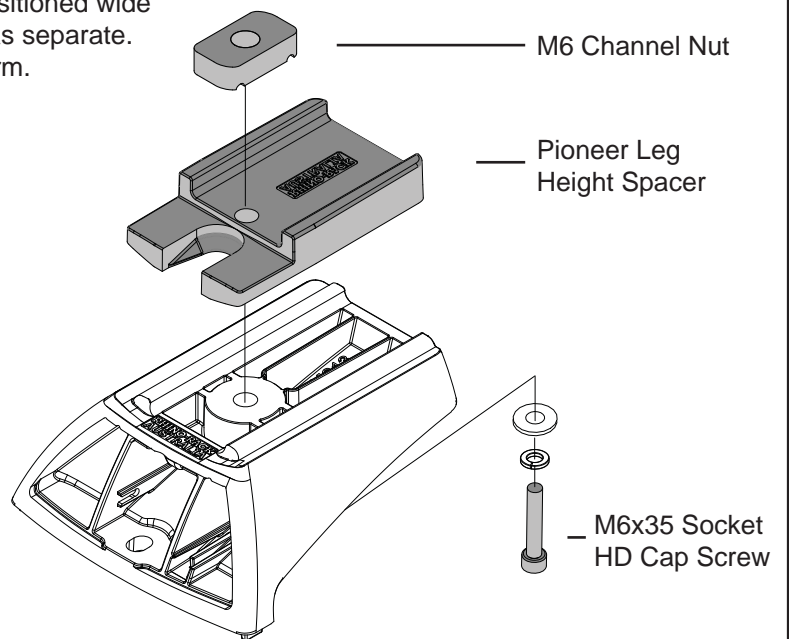


## RCL, RCH 2,4,6 Kits

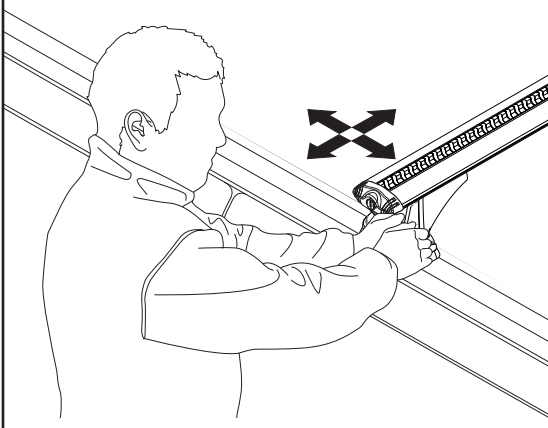
**Note** To fit Legs to Heavy Duty Crossbars, Pioneer Trays and Platforms Pioneer QMHD05 must be purchased as separate. Install the Spacer Kit then the HD Crossbars.



To fit Legs to Pioneer Trays/ Platforms, positioned wide on vehicle, QMPS10 must be purchased as separate. Install the Spacer Kit then the Tray/ Platform.



Check all fixtures are secure before use.

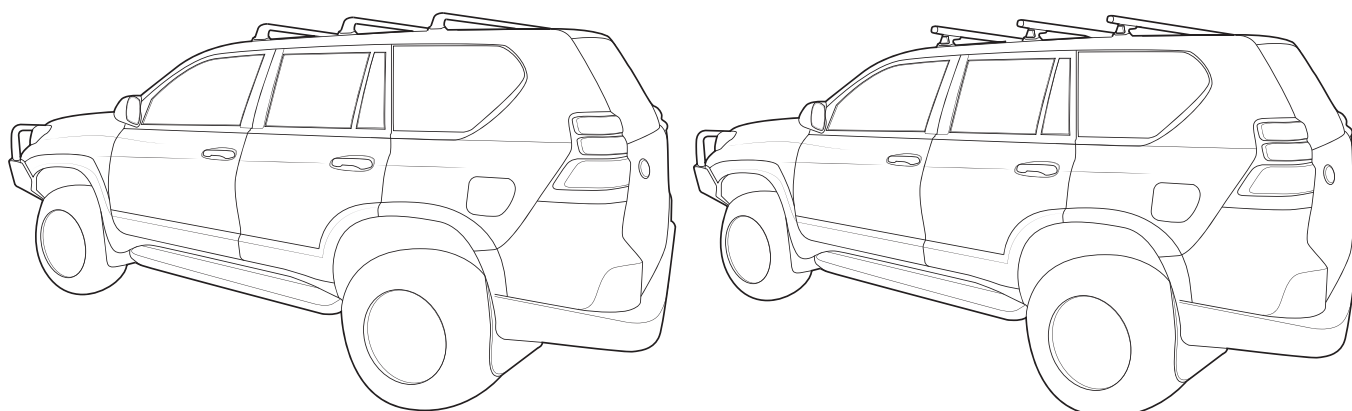




# RHINO-RACK

## RCP03-BK - Toyota LandCruiser Prado, Lexus GX

**Important:** Please read these instructions carefully prior to installation.  
Please refer to your fitting instruction to ensure that the roof racks are installed in the correct locations.  
Check the contents of kit before commencing fitment and report any discrepancies.



**Note: Crossbars and legs sold as separate.**

### Important Information.

1.  Check Part No./Kit is correct
2.  Read through instruction before installing
3.  Fit roof rack accessory
4.  Check and recheck all fasteners are secure

**Note: Be sure to check the Rhino-Rack website to see if you have the latest version of instructions before beginning installation.**

**Maximum carrying capacity: 100kg (220lbs) evenly distributed over the two cross bars.**

#### Recommendations:

It is essential that all bolt connections be checked after driving a short distance when you first install your cross bars. Bolt connections should be checked again at regular intervals (probably once a week is enough, depending on road conditions, usage, loads and distances travelled). You should also check the cross bars each time they are refitted.

Make sure to fasten your load securely. Please ensure that all loads are evenly distributed and that the centre of gravity is kept as low as possible. **Use only non-stretch fastening ropes or straps.**

#### Sensitivity to cross winds, behaviour in curves and braking.

The handling characteristics of the vehicle, changes when you transport a load on the roof. For safety reasons, we recommend you exercise extreme care when transporting wind-resisting loads; special consideration must be taken into account when braking. **Please remove cross bars when putting vehicle through an automatic car wash.**

#### Load rating.

Maximum permissible load is 100kg (220lbs) per pair of cross bars (include the weight of the roof racks, 5kg). When crossbars are to be used in off-road conditions, please build a safety factor of 1.5 into this load limit. (66kg/145lbs for off-road use). Although the roof racks are tested and approved to AS1235-2000, Australian road conditions can be much more rigorous. However, increasing the number of cross bars does not increase the vehicles maximum permissible roof loading.

#### Note for Dealers and Fitters.

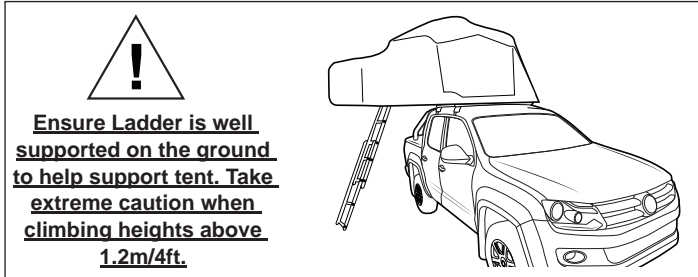
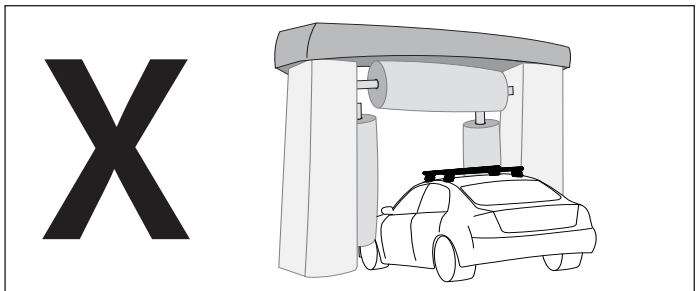
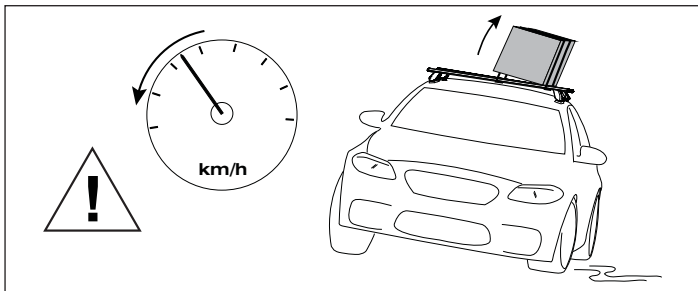
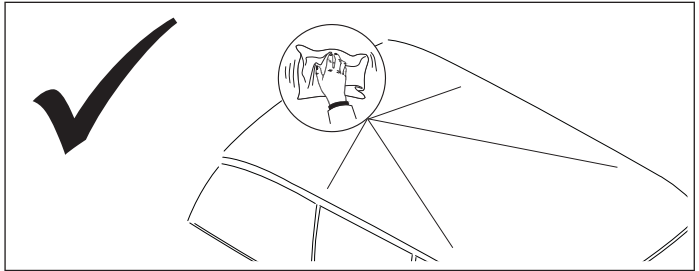
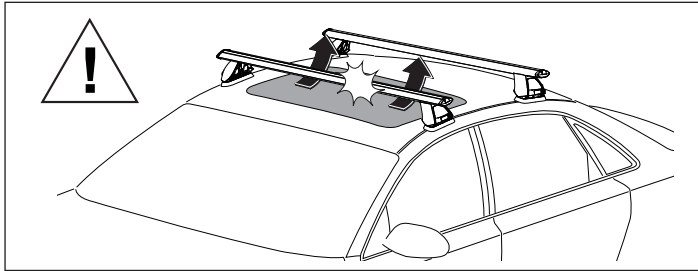
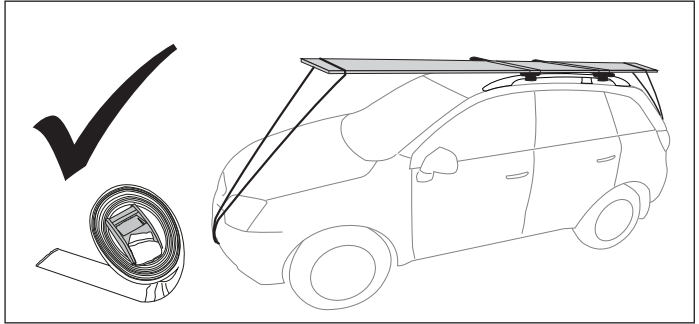
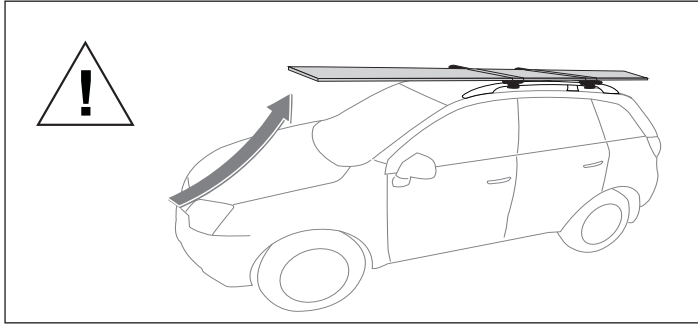
It is your responsibility to ensure instructions are given to the end user or client

Rhino-Rack

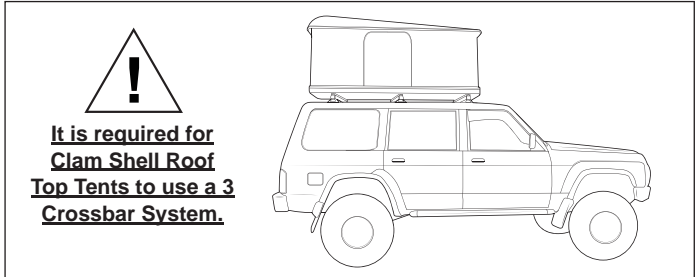
3 Pike Street, Rydalmer,



# RCP03-BK - Toyota LandCruiser Prado, Lexus GX

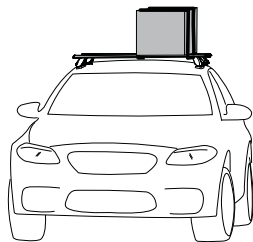


**Ensure Ladder is well supported on the ground to help support tent. Take extreme caution when climbing heights above 1.2m/4ft.**

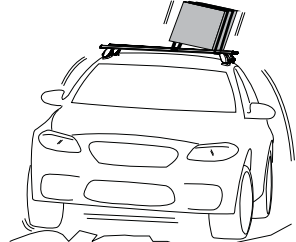


**It is required for Clam Shell Roof Top Tents to use a 3 Crossbar System.**

When these roof racks are to be used on a vehicle that is driven off sealed roads the maximum load rating must be divided by 1.5. Remember to subtract the weight of the roof racks to determine your maximum permissible load capacity.



**2 bars 100kg (220lbs) load rating (Urban road) = 2 bars 66kg (145lbs) load rating (Off road)**  
**Load rating not taking into account crossbar weight - 5kg**



**WARNING! Important Load Carrying Instructions**

With utility vehicles, the cabin and the canopy move independently. Roof racks and vehicle can be damaged if the item transported is rigidly fixed at points on both the cabin and canopy. Instead, rigidly fix to either the cabin roof racks or the canopy roof racks.

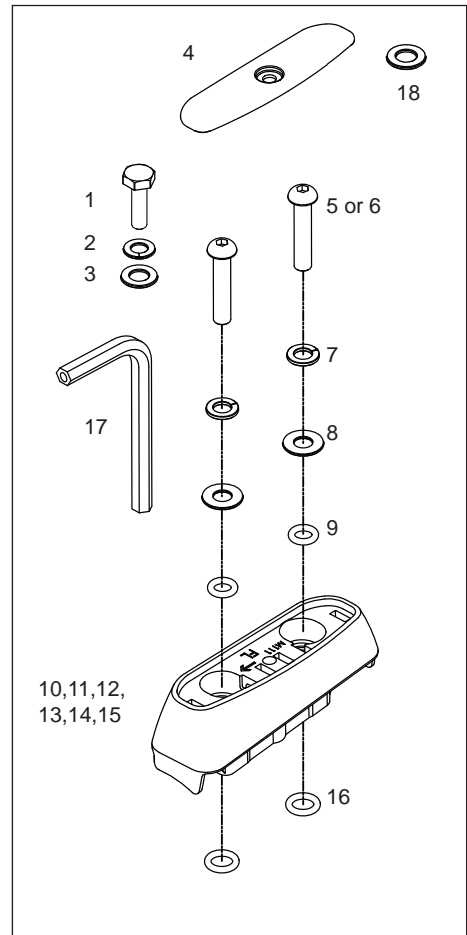
Paddle/ Surfboards should be fixed to the front of the vehicle.



# RCP03-BK - Toyota LandCruiser Prado, Lexus GX

## Parts List

Item	Component Name	F	M	R	3 Bar	Part No.
1	M6 x 30mm Hex Setscrew	2	2	2	4	B202
2	M6 Spring Washer	2	2	2	6	W004
3	M6 x 16mm Flat Washer	2	2	2	6	W031
4	Cover Plate Pad	2	2		6	M126
5	M8 x 50mm Button Head Cap Screw	4	-	4	8	B126
6	M8 x 40mm Button Head Cap Screw	-	4	-	4	B127
7	M8 Spring Washer	4	4	4	12	W019
8	M8 x 17mm Flat Washer	4	4	4	12	W030
9	7mm x 4mm O-Ring	4	4	4	12	C299
10	Toyota Prado Front Left Pad	1	-	-	1	M111
11	Toyota Prado Front Right Pad	1	-	-	1	M112
12	Toyota Prado Middle Left Pad	-	1	-	1	M113
13	Toyota Prado Middle Right Pad	-	1	-	1	M114
14	Toyota Prado Rear Left Pad	-	-	1	1	M115
15	Toyota Prado Rear Right Pad	-	-	1	1	M116
16	10mm x 3mm O-Ring	4	4	4	12	C088
17	5mm Security Allen Key	1	1	1	1	H021
18	M6 Washer (used on cover plate)	2	2	2	6	W003
19	Fitting Instructions	1	1	1	1	R1304



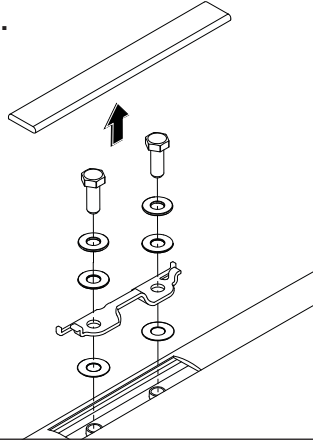
### Tools Required.

Security Allen key, provided in kit

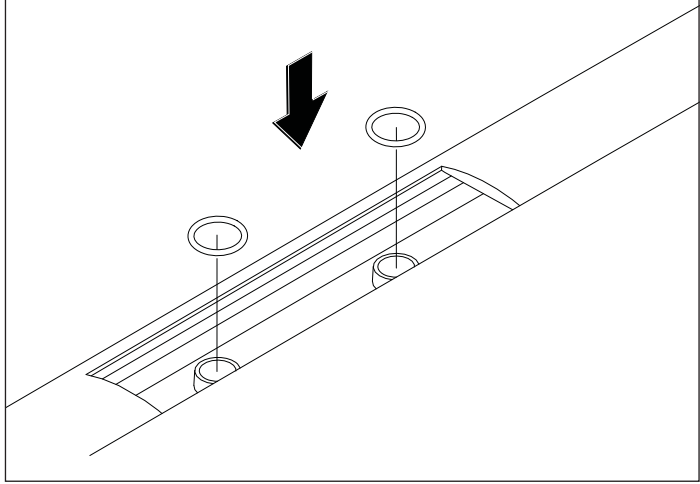
Small Flat Blade Screwdriver  
12mm socket wrench

## Instructions

- 1** Remove the roof rack attachment point covers, exposed bolts and brackets. Store covers, bolts and brackets in a safe place. **Note: The existing bolts and washers are not used to fit the mounting pads.**



- 2** Place the 10mm large o-rings onto the protruding plastic tubes.



- 3** Collect all mounting pads supplied and identify position codes and direction arrows on each pad. The arrow must point to the front of the vehicle. The right hand side is the driver's side.

The mounting pad position code is as follows:

FL - Front Left Side Pad

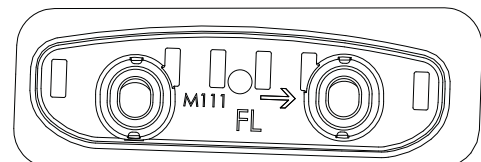
FR - Front Right Side Pad

ML - Middle Left Side Pad

MR - Middle Right Side Pad

RL - Rear Left side Pad

RR - Rear Right Side Pad

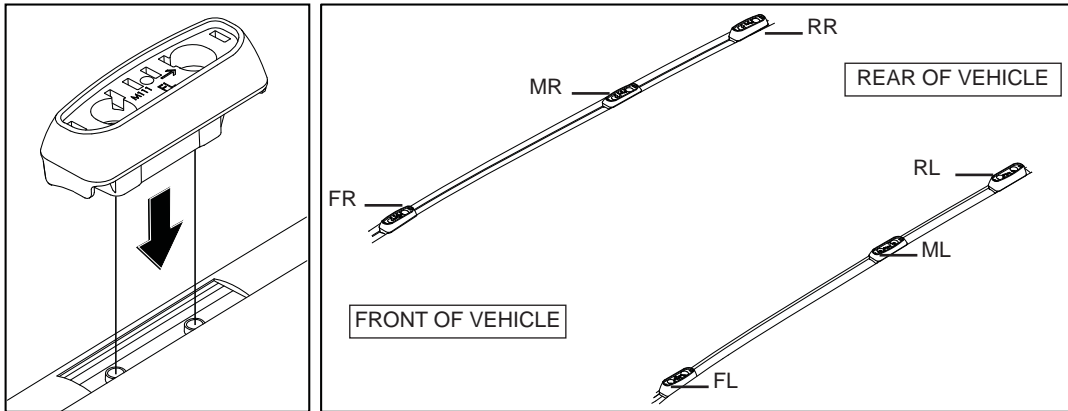




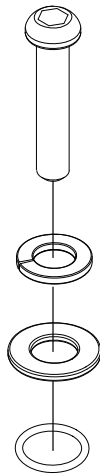


## RCP03-BK - Toyota LandCruiser Prado, Lexus GX

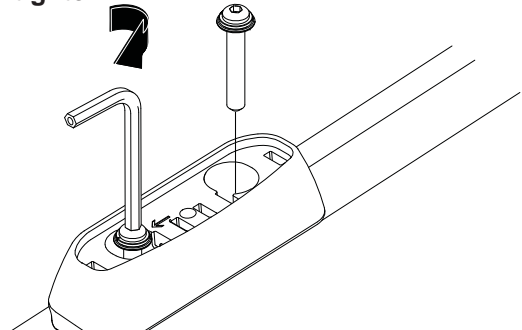
- 4** Insert the mounting pad into the mounting pad recess. Using the mounting pad layout as a guide, place the pads onto their respective positions.



- 5** Place the M8 spring washer, M8 flat washer and 7mm small o-ring onto the M8 screws. Ensure that the o-ring is fully pushed up under the flat washer. Note: For the front and rear mounting pads use the M8 x 50mm screws. For the middle mounting pads use M8 x 40mm screws.



- 6** Insert the assembled screws through the mounting pads and screw into the nutserts in the vehicle's roof. Tighten all bolts using the allen key provided. Recommended tightening torque 6 Nm. **Do not over tighten.**



- 7** When crossbars are not in use, remove and install the pad mount cover plates using the M6 hardware provided.

