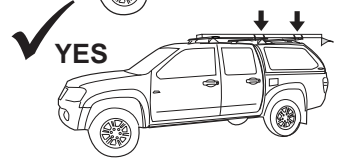
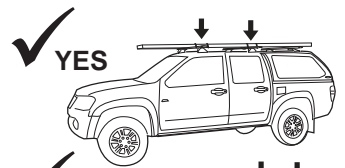
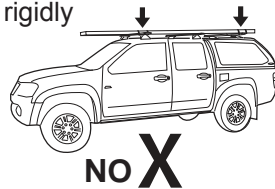


WARNING! Important Load Carrying Instructions

With utility vehicles, the cabin and the canopy move independently. Roof racks and vehicle can be damaged if the item transported is rigidly fixed at points on both the cabin and canopy. Instead, rigidly fix to either the cabin roof racks or the canopy roof racks.



- Any load transported on Roof Racks must be evenly distributed.
- Instructions are to remain with the vehicle.
- Do not attempt to fit the roof racks to your vehicle unless you fully read and understand the fitting instructions provided.
- Please direct any questions to the dealer from where the roof racks were purchased.
- Check the contents of this kit before commencing fitment and report any discrepancies.

Maximum load capacity: 50/100kg - 110/220lbs evenly distributed over all crossbars. **Please refer to your vehicle manufacturers handbook for maximum roof load capacity, always use the lower of the two figures.** Load figures shown reflect the use of two bars.

Recommendations:

It is essential that all bolt connections be checked after driving a short distance when you first install your crossbars. Bolt connections should be checked and lubricated at regular intervals (probably once a week is enough, depending on road conditions, usage, loads and distances travelled). You should also check the crossbars each time they are refitted. Make sure to fasten your load securely. Please ensure that all loads are evenly distributed and that the centre of gravity is kept as low as possible. **Crossbars must be removed when putting vehicle through an automatic car wash. Use only non-stretch fastening ropes or straps.**

Caution: The handling characteristics of the vehicle changes when you transport a load on the roof. For safety reasons we recommend you exercise extreme care when transporting wind-resistant loads. Special consideration must be taken into account when cornering and braking.

Off-road Load Rating:

When crossbars are to be used in off-road conditions, please build a safety factor of 1.5 into this load limit for off-road use, two crossbars = **33/66kg - 73/145lbs**. Although the crossbars are tested and approved to AS1235-2000, off-road conditions can be much more rigorous. However, increasing the number of crossbars does not increase the vehicles maximum permissible roof loading.

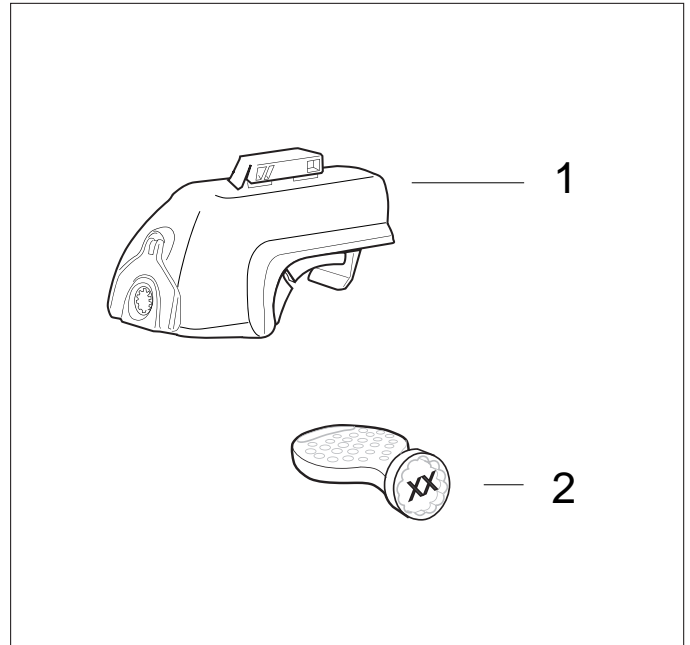


RHINO-RACK

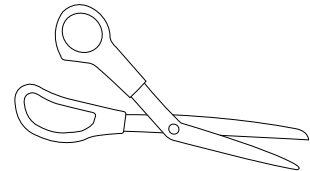
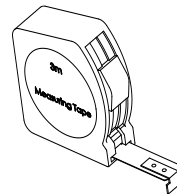
SX027, SX028, SX030, SX043

Item	Component Name	Qty	Part No.
1	Foot Pack	4	SX---
2	Lock Key to suit Foot Pack	3	121091
3	Fitting Instruction	1	R159

Vortex Crossbars sold individually	Part No.
1065mm Vortex Crossbar SILVER	VA106S
1065mm Vortex Crossbar BLACK	VA106B
1180mm Vortex Crossbar SILVER	VA118S
1180mm Vortex Crossbar BLACK	VA118B
1260mm Vortex Crossbar SILVER	VA126S
1260mm Vortex Crossbar BLACK	VA126B
1375mm Vortex Crossbar SILVER	VA137S
1375mm Vortex Crossbar BLACK	VA137B
1500mm Vortex Crossbar SILVER	VA150S
1500mm Vortex Crossbar BLACK	VA150B
1650mm Vortex Crossbar SILVER	VA165S
1650mm Vortex Crossbar BLACK	VA165B
1800mm Vortex Crossbar SILVER	VA180S
1800mm Vortex Crossbar BLACK	VA180B



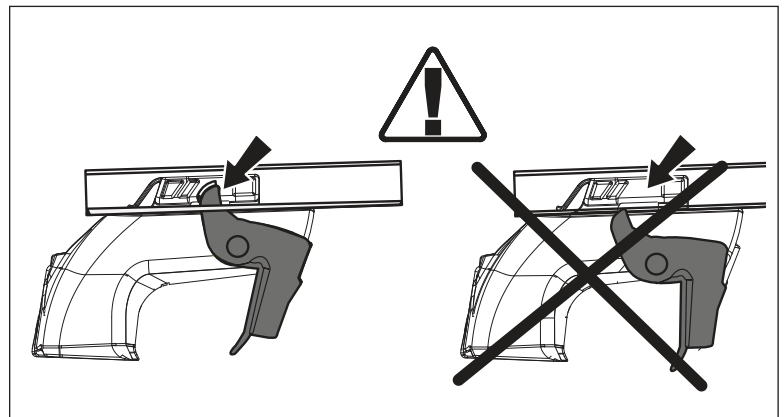
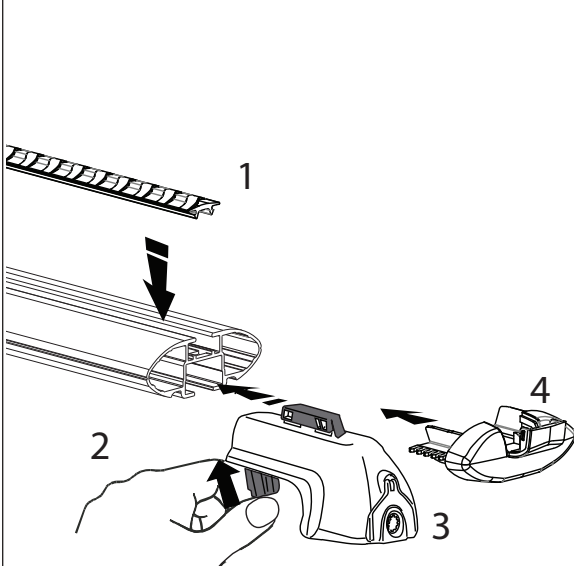
Tools required:



Care Instruction:

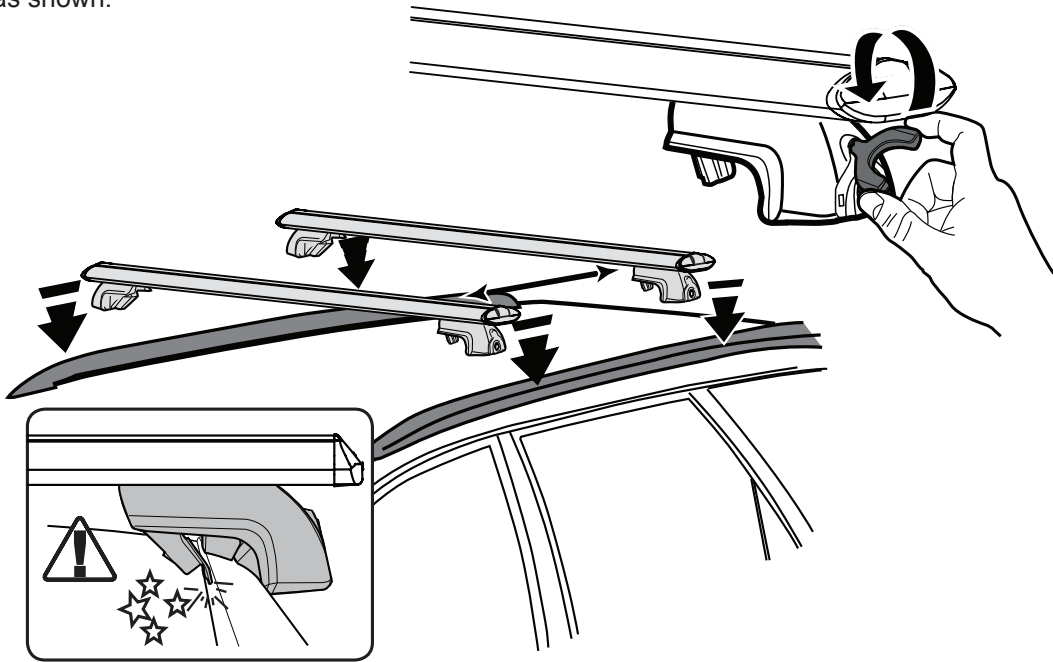
Wash vehicle roof rails prior to fitting the roof racks.

1

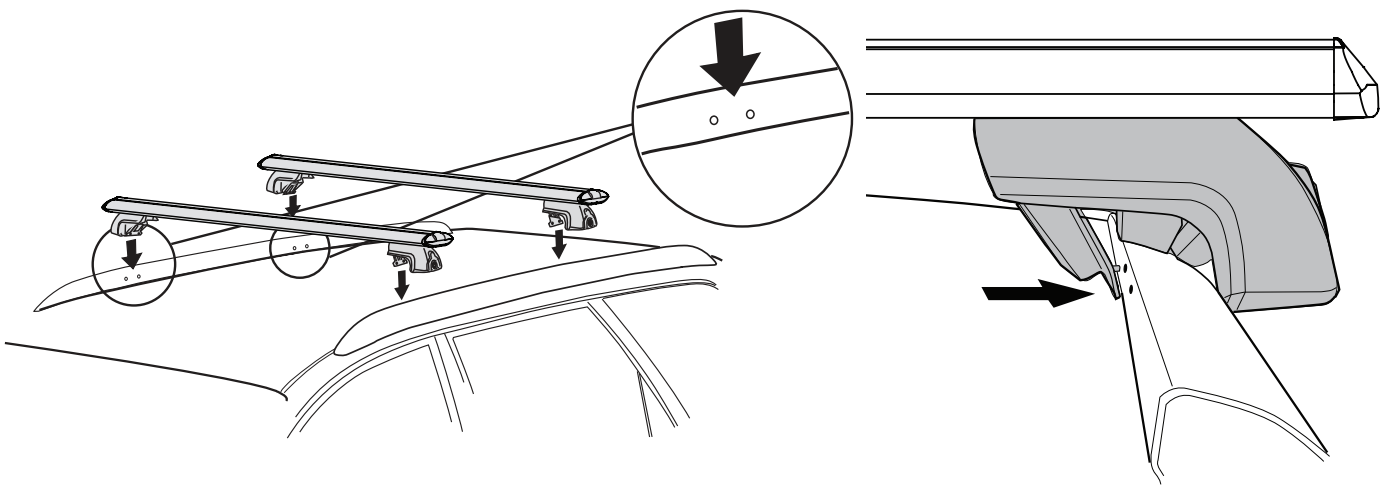


SX027, SX028, SX030, SX043

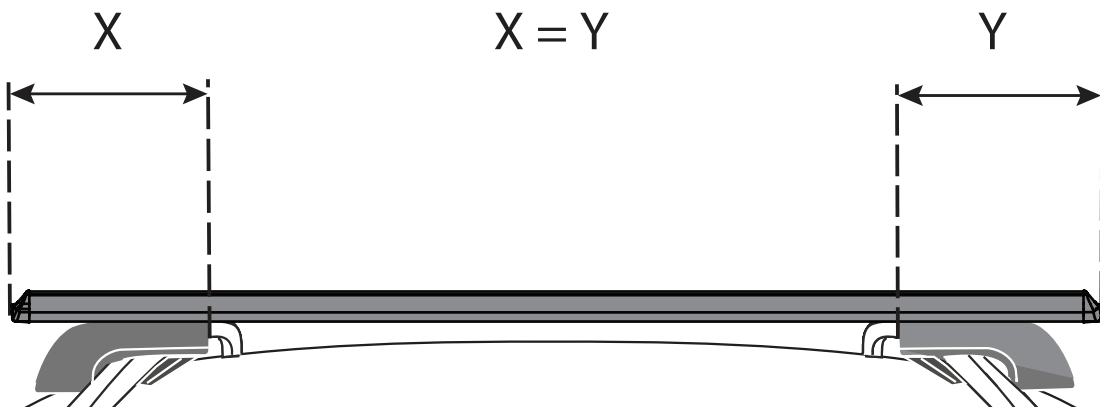
2 Fit legs as shown.



3



4



SX027, SX028, SX030, SX043

