



RHINO-RACK

VA-FK1

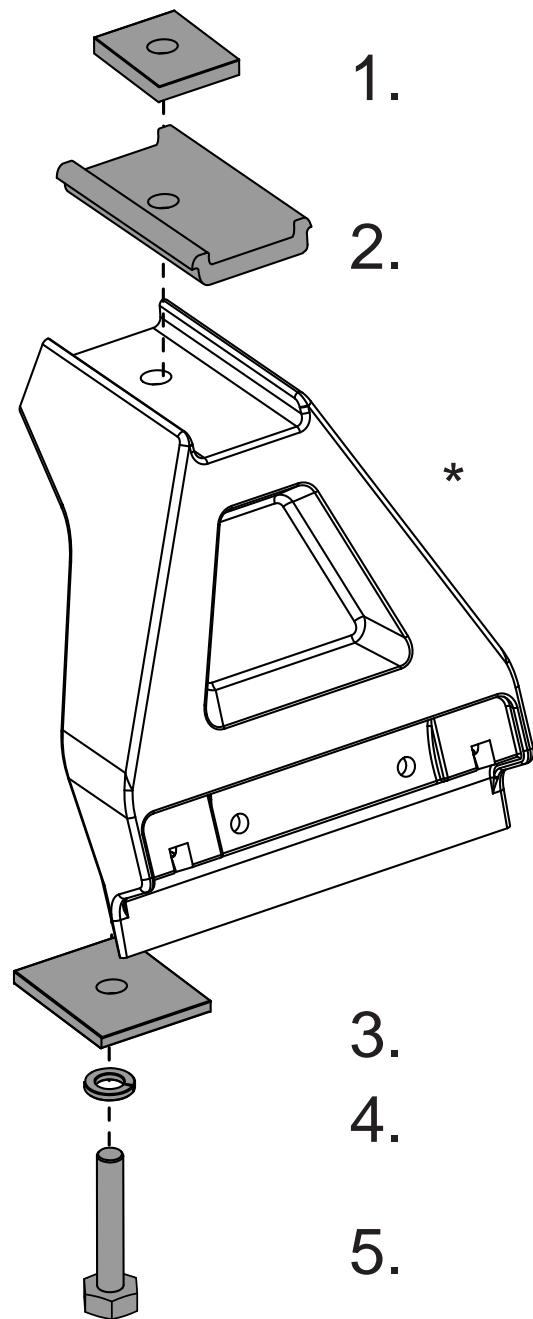
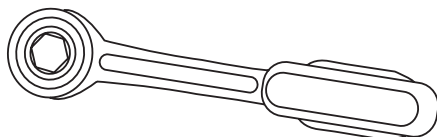
Item	Component Name	Qty	Part No.
1	M6 Nut 30x25mmx5mm	2	N035A
2	Adapter Block	2	M154
3	RCP Leg 3000 32x 3 Square Washer Mech	2	W037
4	M6 Spring Washer	2	W004
5	M6x35 Hex Setscrew	2	B203

***Note:**

RL Kit parts are sold separately.

Tools Required:

10mm Wrench



Looking for dependable roof racks and cargo carriers? Visit our website.