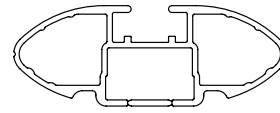


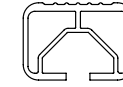


Rhino-Rack 2500 Series - DK485 instruction

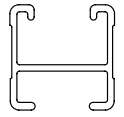
CROSSBAR IDENTIFICATION



VA crossbar



EURO crossbar



HD crossbar

Instruction for DK485 and RS736

Vehicle	Date	Crossbar	FRONT CROSSBAR					REAR CROSSBAR						
			Front Right Pad/Clamp	Front Left Pad/Clamp	Measurement strip length per side	Measurement strip length per side	Measurement Distance (x)	Foot plate arrow direction	Rear Right Pad/Clamp	Rear Left Pad/Clamp	Measurement strip length per side	Measurement strip length per side	Measurement Distance (x)	Foot plate arrow direction
Honda Civic 5dr Hatch	02/17 -	1260mm	M296 SUB0256	M295 SUB0256	171mm	58mm	990mm / 38,63/64"	OUT	M368 SUB0574	M368 SUB0574	154mm	41mm	956mm / 37,41/64"	OUT
			Pad Arrow FORWARD						Pad Arrow OUT					



Rhino-Rack 2500 Series - DK485 instruction

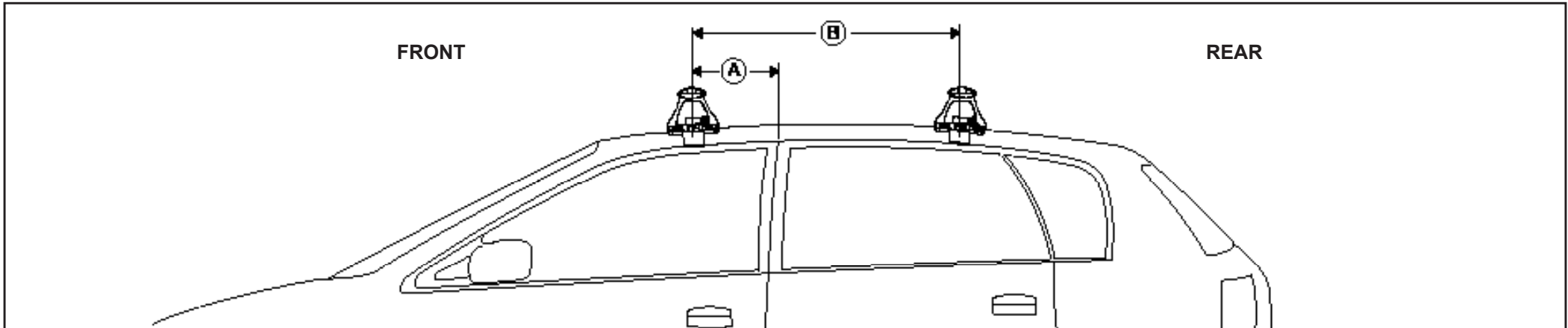
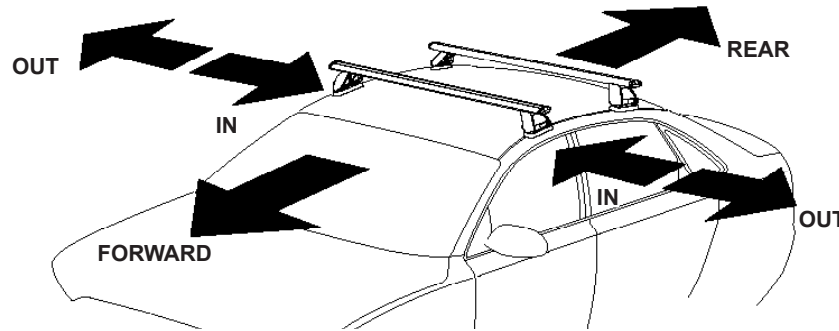
Measurement A: CENTRE of door jamb to CENTRE arrow of leg foot plate.

Measurement B: CENTRE of Front leg foot plate arrow to CENTRE of Rear leg foot plate arrow.

Carrying capacity: Roof rack is rated up to 75kg. Please refer to manufacturers handbook for your vehicles maximum roof load capacity. Always use the lower of the two figures.

If your vehicle is not listed on this fitting instruction please refer to your countries Rhino-Rack web site for the latest information.

Direction of Pad Arrow and Foot Plate Arrow, Refer Page 1.



VEHICLE	Date	Measurement A	Measurement B	Load Rating up to (includes racks 5kg/ 11lbs)
Honda Civic 5dr Hatch	02/17 -	250mm / 9,27/32"	650mm / 25,19/32"	75kg / 165lbs