



# Rhino-Rack 2500 Series

**Instruction for  
DK471 and RS719**

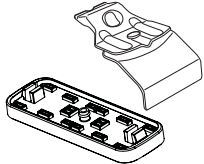
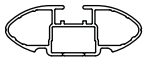
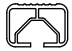

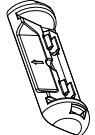
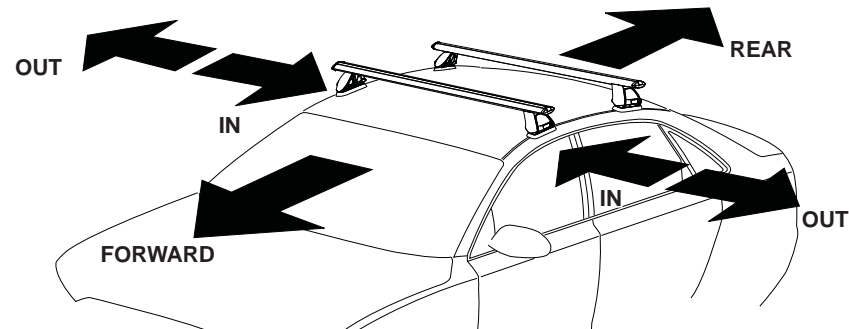
		<b>FRONT</b>							<b>REAR</b>					
		<b>Crossbar Identification</b>							<b>Crossbar Identification</b>					
														
Vehicle	Date	Crossbar	Front Right Pad/Clamp	Front Left Pad/Clamp	Measurement strip length per side	Measurement strip length per side	Measurement Distance ( x )	Foot plate arrow direction	Rear Right Pad/Clamp	Rear Left Pad/Clamp	Measurement strip length per side	Measurement strip length per side	Measurement Distance ( x )	Foot plate arrow direction
KIA Rio 5dr hatch	17-	1180mm	M282 SUB0370	M281 SUB0370	188mm	133mm	944mm / 37,11/64"	OUT	M284 SUB0459	M283 SUB0459	143mm	88mm	854mm / 33,5/8"	OUT
			Pad Arrow Forward						Pad Arrow Forward					

Table above refers to Direction of Pad Arrow and Foot Plate Arrow when fitted on the vehicle.



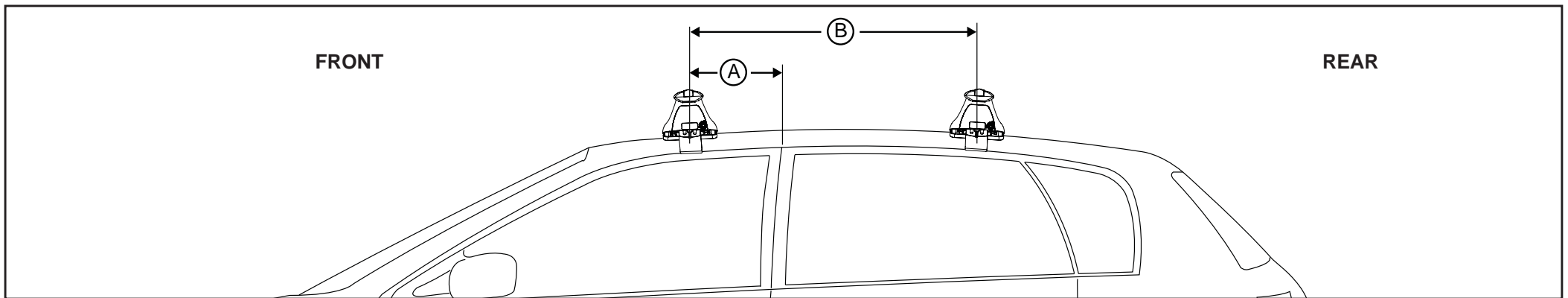
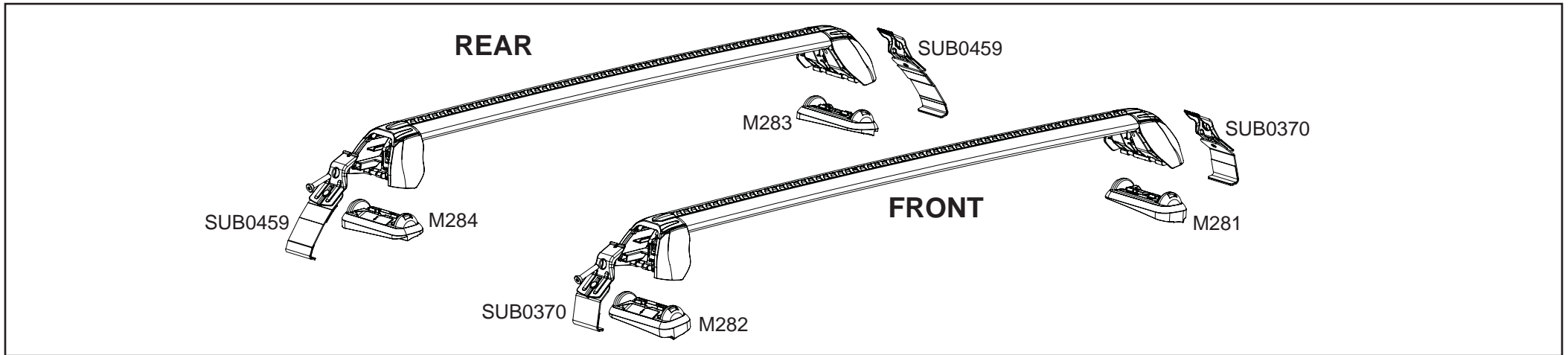


# Rhino-Rack 2500 Series

**Measurement A:** CENTRE of door jamb to CENTRE arrow of leg foot plate.

**Measurement B:** CENTRE of Front leg foot plate arrow to CENTRE of Rear leg foot plate arrow.

**Carrying capacity:** Roof rack is rated up to 75kg. Please refer to manufacturers handbook for your vehicles maximum roof load capacity. Always use the lower of the two figures.



VEHICLE	Date	Measurement A	Measurement B	Load Rating up to (includes racks 5kg/ 11lbs)
KIA Rio 5dr hatch	17-	300mm / 11,13/16"	720mm / 28,3/8"	75kg / 165lbs