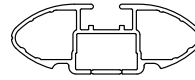




Rhino-Rack 2500 Series - DK351 instruction

CROSSBAR IDENTIFICATION



VA crossbar



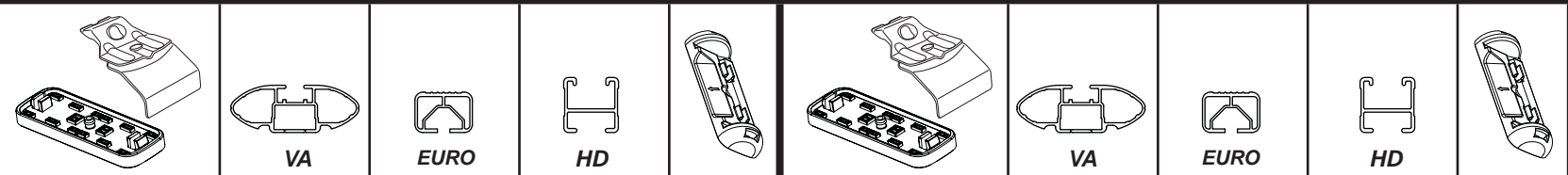
EURO crossbar



HD crossbar

Instruction for DK351 and RS499

FRONT CROSSBAR REAR CROSSBAR

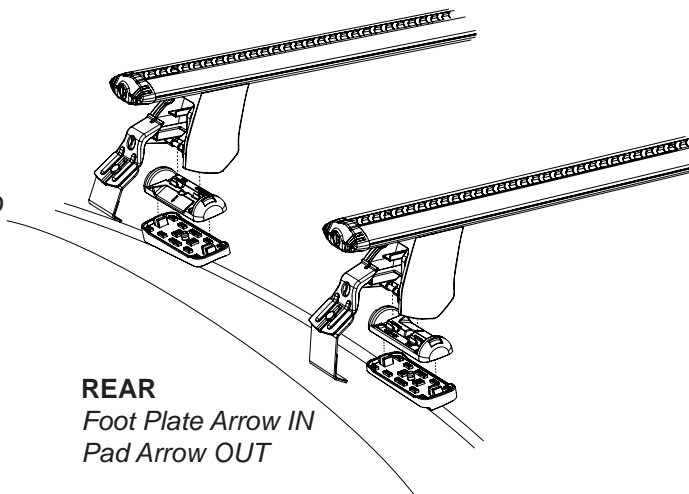


Vehicle	Date	Crossbar	FRONT CROSSBAR		FRONT CROSSBAR		Measurement strip length per side	Measurement strip length per side	Measurement Distance (x)	Foot plate arrow direction	REAR CROSSBAR		REAR CROSSBAR		Measurement strip length per side	Measurement strip length per side	Measurement Distance (x)	Foot plate arrow direction
			Front Right Pad/Clamp	Front Left Pad/Clamp	Front Right Pad/Clamp	Front Left Pad/Clamp					Rear Right Pad/Clamp	Rear Left Pad/Clamp	Rear Right Pad/Clamp	Rear Left Pad/Clamp				
Toyota Prius C 5dr hatch	12-	1065mm	142612 SUB0144	142612 SUB0144	164mm	54mm	782mm / 30,25/32"	OUT	142629 SUB0196	142628 SUB0196	168mm	58mm	790mm / 31,7/64"	IN				
			Pad Arrow Forward						Pad Arrow Out									

LEFT side of vehicle

FRONT

Foot Plate Arrow OUT
Pad Arrow FORWARD



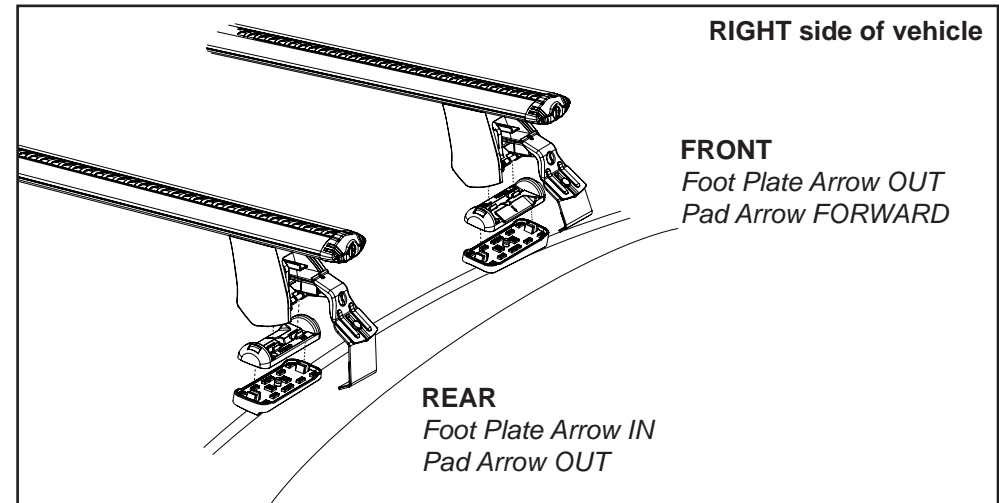
REAR

Foot Plate Arrow IN
Pad Arrow OUT

RIGHT side of vehicle

FRONT

Foot Plate Arrow OUT
Pad Arrow FORWARD



REAR

Foot Plate Arrow IN
Pad Arrow OUT



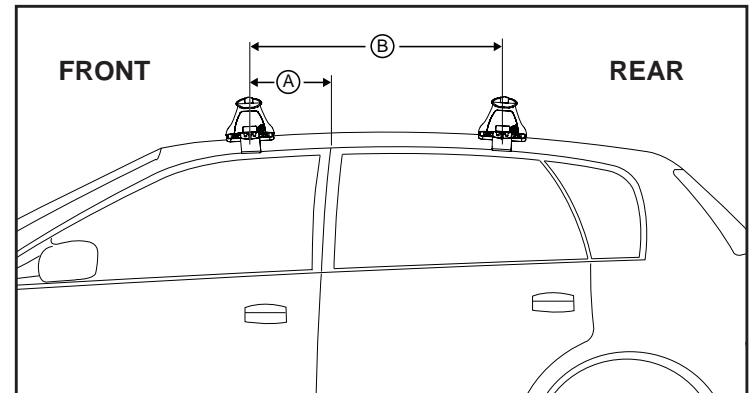
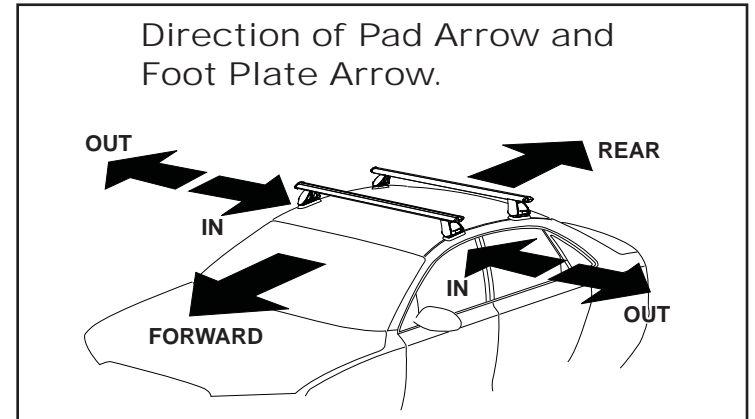
Rhino-Rack 2500 Series - DK351 instruction

Measurement A: CENTRE of door jamb to CENTRE arrow of leg foot plate.

Measurement B: CENTRE of Front leg foot plate arrow to CENTRE of Rear leg foot plate arrow.

Carrying capacity: Roof rack is rated up to 75kg. Please refer to manufacturers handbook for your vehicles maximum roof load capacity. Always use the lower of the two figures.

If your vehicle is not listed on this fitting instruction please refer to your countries Rhino-Rack Fit My Car web site for the latest information.



VEHICLE	Date	Measurement A	Measurement B	Load Rating up to (includes racks 5kg/ 11lbs)
Toyota Prius C 5dr hatch	12-	200mm / 7,7/8"	680mm / 26,49/64"	60kg / 132lbs