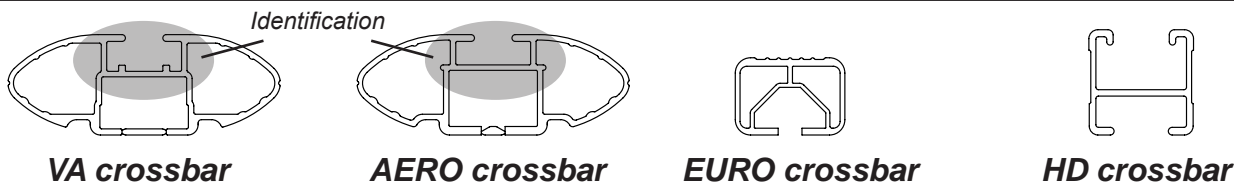




DK079/DK079H Rhino-Rack VA, Aero, Euro & HD crossbar instruction

IDENTIFICATION CHART



| Vehicle | Date | Crossbar | FRONT CROSSBAR | | | | | REAR CROSSBAR | | | | |
|---------------------------------|-------|----------|------------------------|-----------------------|-----------------------------------|-----------------------------------|----------------------------|----------------------------|-----------------------|----------------------|-----------------------------------|-----------------------------------|
| | | | Front Right Pad/ Clamp | Front Left Pad/ Clamp | Measurement strip length per side | Measurement strip length per side | Measurement Distance (x) | Foot plate arrow direction | Rear Right Pad/ Clamp | Rear Left Pad/ Clamp | Measurement strip length per side | Measurement strip length per side |
| Toyota Prius (XW20) 5dr hatch | 04-09 | 1260mm | M368 SUB0150 | 183mm | 70mm | 1014mm / 39,59/64" | OUT | M368 SUB0150 | 177mm | 64mm | 1002mm / 39,29/64" | OUT |
| | | | Arrow OUT | | | | | Arrow OUT | | | | |
| Honda Insight 4dr sedan | 2009- | 1260mm | M368 SUB0150 | 173mm | 60mm | 994mm / 39,9/64" | OUT | M368 SUB0150 | 165mm | 52mm | 978mm / 38,1/2" | OUT |
| | | | Arrow OUT | | | | | Arrow OUT | | | | |
| Toyota Tundra Crewmax pickup | 2007- | 1500mm | M368 SUB0150 | 158mm | 103mm | 1204mm / 47,13/32" | OUT | M368 SUB0150 | 141mm | 86mm | 1180mm / 46,29/64" | OUT |
| | | | Arrow OUT | | | | | Arrow OUT | | | | |
| Toyota Tundra Double Cab pickup | 2007- | 1500mm | M368 SUB0150 | 158mm | 103mm | 1204mm / 47,13/32" | OUT | M368 SUB0150 | 146mm | 91mm | 1170mm / 46,1/16" | OUT |
| | | | Arrow OUT | | | | | Arrow OUT | | | | |
| Nissan Stagea 4dr wagon | 01-07 | 1260mm | M368 SUB0150 | 173mm | 60mm | 994mm / 39,9/64" | OUT | M368 SUB0150 | 166mm | 53mm | 980mm / 38,37/64" | OUT |
| | | | Arrow OUT | | | | | Arrow OUT | | | | |

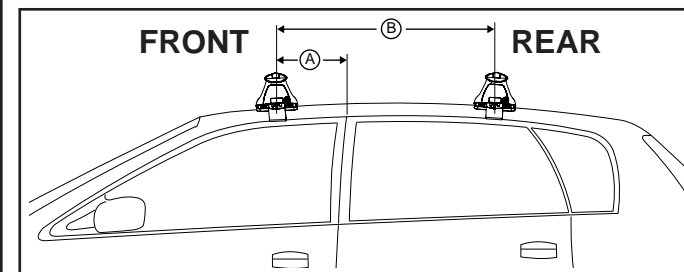
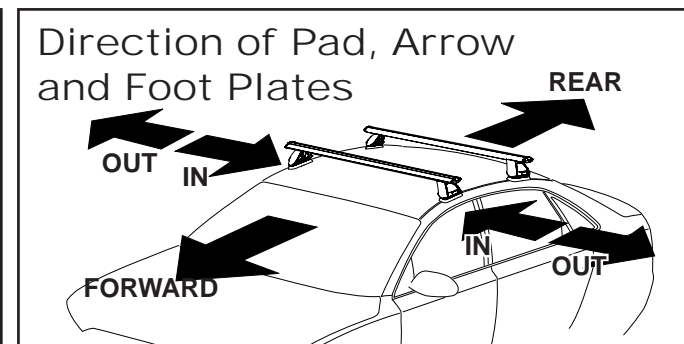
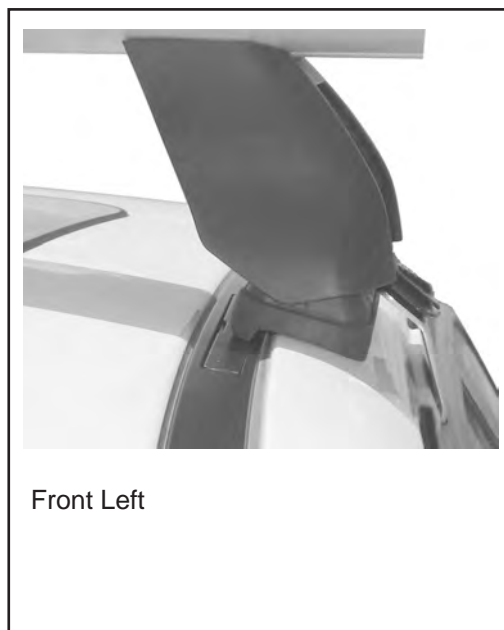
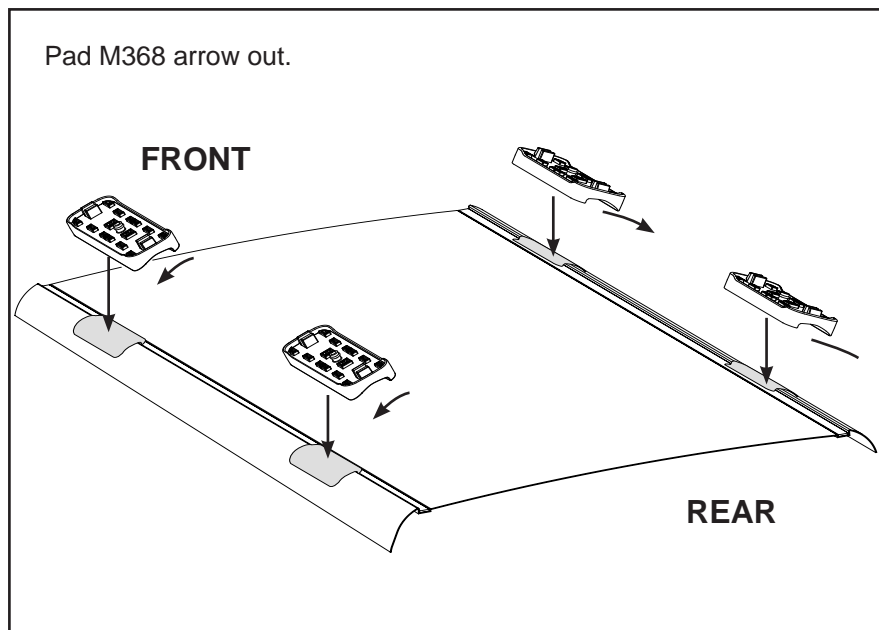


DK079/DK079H Rhino-Rack VA, Aero, Euro & HD crossbar instruction

Measurement A: CENTRE of door jamb to CENTRE arrow of leg foot plate.

Measurement B: CENTRE of Front leg foot plate arrow to CENTRE of Rear leg foot plate arrow.

Carrying capacity: Roof rack is rated to 75kg. Please refer to manufacturers handbook for your vehicles maximum roof load capacity. Always use the lower of the two figures.



| VEHICLE | Date | Measurement A | Measurement B | Load Rating (includes racks 5kg/ 11lbs) |
|---------------------------------|-------|-------------------|-------------------|---|
| Toyota Prius (XW20) 5dr hatch | 04-09 | 320mm / 12,19/32" | 700mm / 27,9/16" | 50kg / 110lbs |
| Honda Insight 4dr sedan | 2009- | 300mm / 11,13/16" | 700mm / 27,9/16" | 50kg / 110lbs |
| Toyota Tundra Crewmax pickup | 2007- | 280mm / 11,1/32" | 800mm / 31,1/2" | 75kg / 165lbs |
| Toyota Tundra Double Cab pickup | 2007- | 290mm / 11,27/64" | 700mm / 27,9/16" | 75kg / 165lbs |
| Nissan Stagea 4dr wagon | 01-07 | 90mm / 3,35/64" | 750mm / 29,17/32" | 75kg / 165lbs |

Find more Rhino-Rack products on our website.

Check out a selection of roof racks and cargo carriers in our online store.