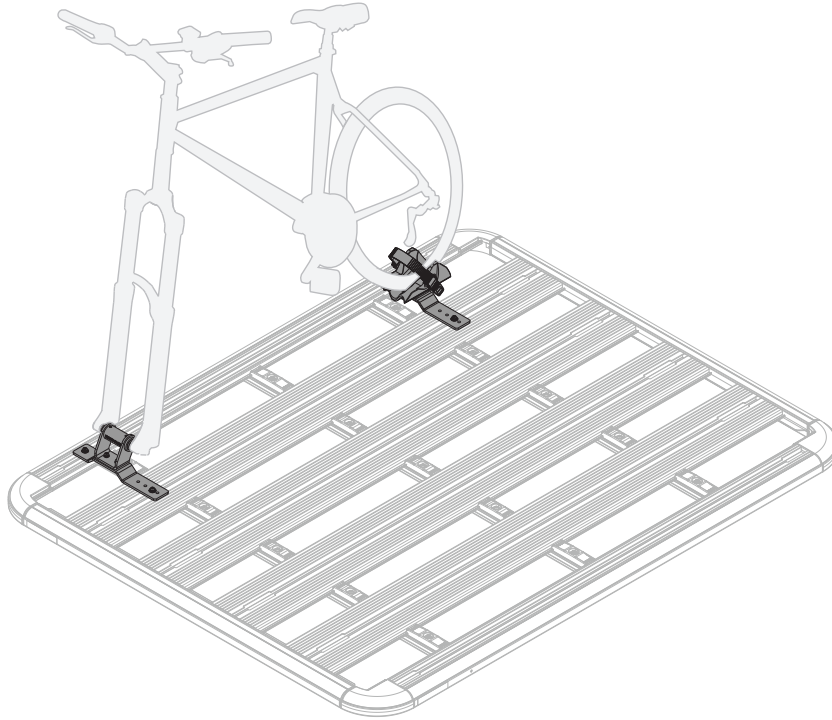




# RHINO-RACK

## Pioneer Thru - Axle Bike Mount - 43233

- |  |  |
|--|--|
| 1. <input type="checkbox"/> Check Part No./Kit is correct              | 3. <input type="checkbox"/> Fit roof rack accessory                    |
| 2. <input type="checkbox"/> Read through instruction before installing | 4. <input type="checkbox"/> Check and recheck all fasteners are secure |



### Important Information

On Road Cargo Allowance	Off Road Cargo Allowance
17kg / 37lb	11kg / 24lbs

#### Torque settings

Unless stated otherwise in these instructions, all fasteners should be set to the following torque settings - M6: 4-5Nm (3-4lbs/ft), M8: 8-10Nm (6-7.5lbs/ft) and M10: 16-18Nm (12-13lbs/ft).

#### Warning:

- Check the Rhino-Rack website to ensure you have the latest issue of the instructions
- Check Part No. and/ or Kit is correct for use with your vehicle
- Do not attempt to fit the accessory system to your vehicle unless you fully understand these fitting instructions. Please direct any questions regarding fitting to the dealer from where the roof racks were purchased.
- **Use only non-stretch fastening ropes or straps.**
- The handling characteristics of the vehicle changes when you transport a load on the roof. For safety reasons we recommend you exercise extreme care when transporting wind-resistant loads. Special consideration must be taken into account when cornering and braking.
- Not suitable for E-Bikes.

#### Recommendations:

It is essential that all bolt connections be checked after driving a short distance when you first install your roof racks. Bolt connections should be checked again at regular intervals (once a week is enough, depending on road conditions, usage, loads and distances travelled). You should also check the roof racks each time they are re-fitted. Always make sure to fasten your load securely. Please also ensure that all loads are evenly distributed and that the centre of gravity is kept as low as possible and must be entirely contained within the extents of the roof racks.

#### Note for Dealers and Fitters:

It is your responsibility to ensure these fitting instructions are given to the end user or client

Document No: R1762  
Prepared By: K.Everett  
Authorised By: C.Gangappa

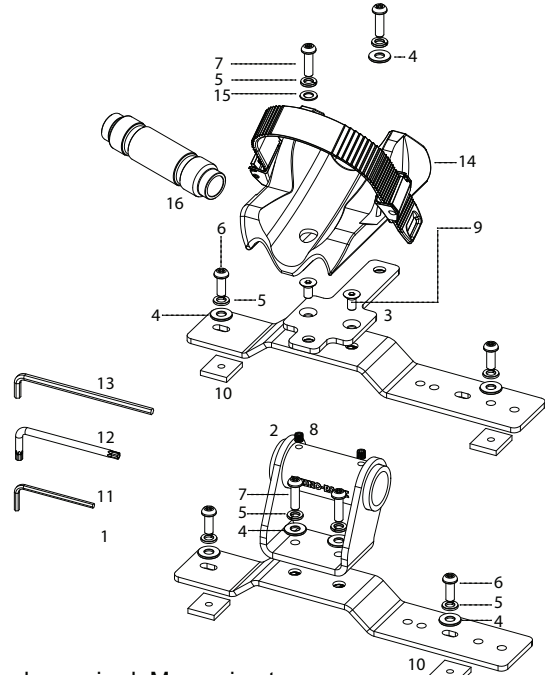
These instructions remain the property of Rhino-Rack Australia Pty. Ltd. and may not be used or changed for any other purpose than intended.

# RHINO-RACK

## Pioneer Thru - Axle Bike Mount - 43233

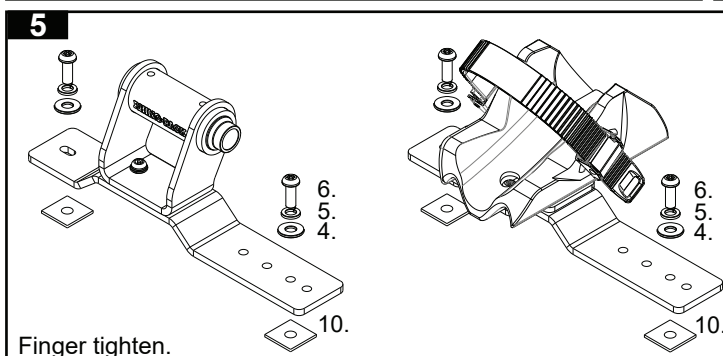
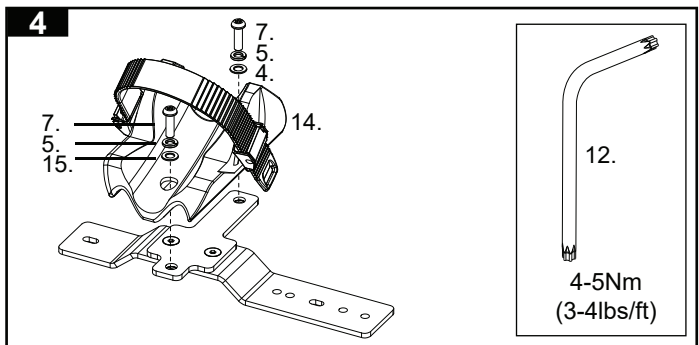
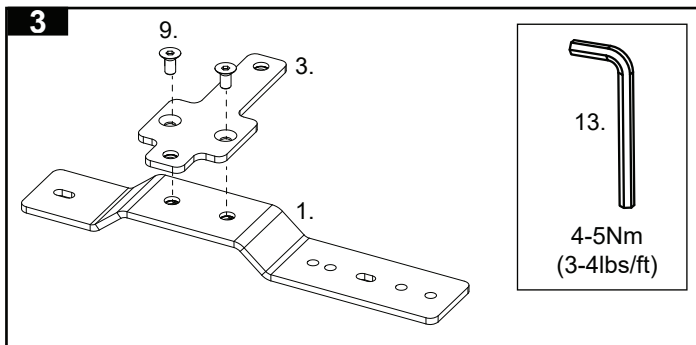
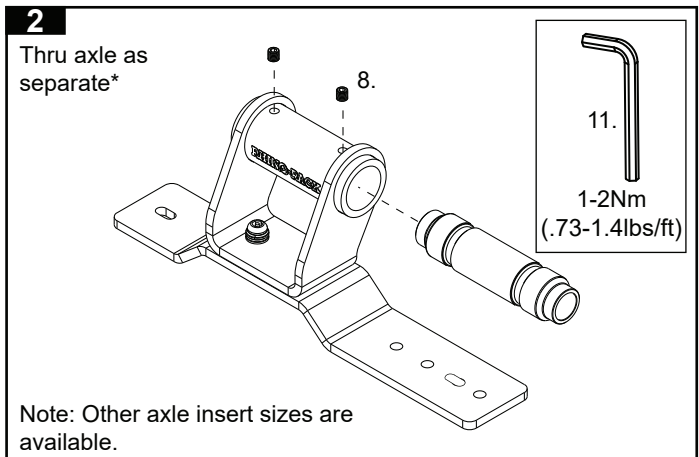
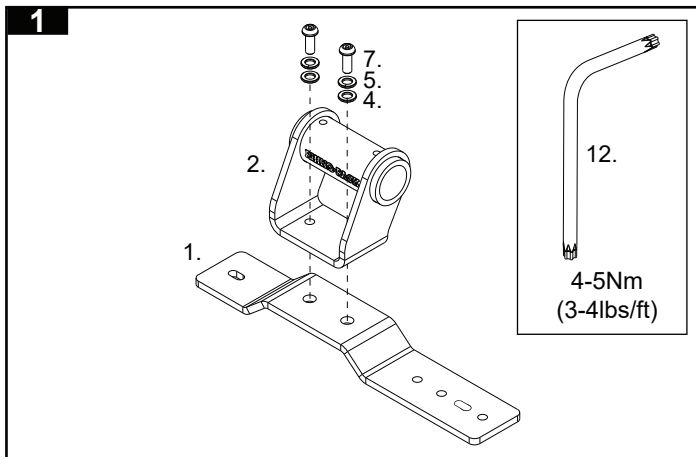
### Parts List

Item	Components	Qty	Part No.
1	Multi Axle Mount Bracket	2	CA1789
2	Multi Axle Fork Mount	1	CA1791
3	Rear Wheel Adaptor Plate	1	CA1825
4	M6 x 16 Flat Washer	7	W031
5	M6 Spring Washer	8	W004
6	M6 x 16mm Pan HD Sec Screw T27	4	B242
7	M6 x 20mm Pan HD Sec Screw T27	4	B243
8	M6 x 6mm Grub Screw	2	B238
9	M6 x 12mm CSK Set Screw	2	-
10	M6 x 20x20mm Plate Nut	4	N057
11	3mm Allen Key	1	H010
12	T27 Torx Key	1	H054
13	4mm Allen Key	1	H049
14	Rear Wheel Mount	1	RBCA042
15	M6 x 12.5mm Flat Washer	1	W003
16	15 x 100mm Multi Axle Adaptor	1	CA1523
17	Instructions	1	R1762

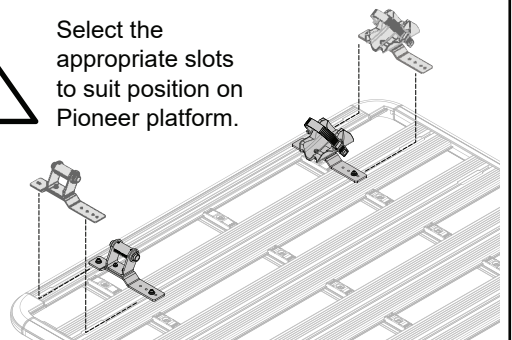


Tools required: Measuring tape.

### Instructions



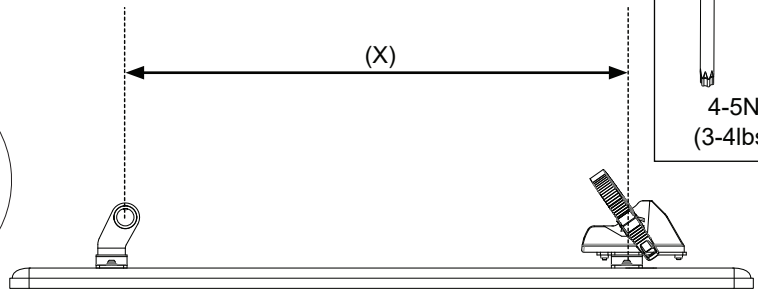
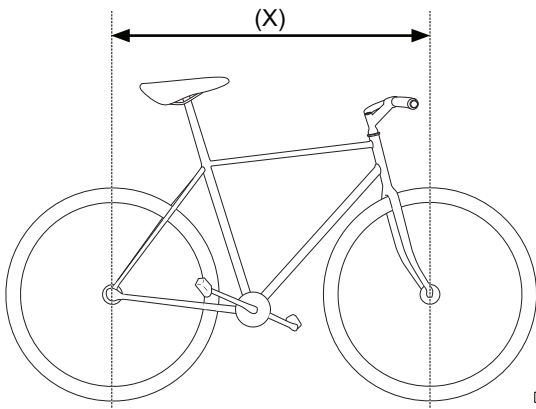
Select the appropriate slots to suit position on Pioneer platform.



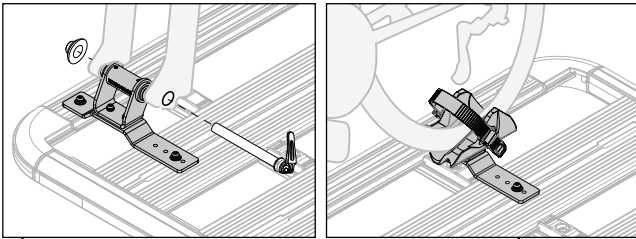
# RHINO-RACK

## Pioneer Thru - Axle Bike Mount - 43233

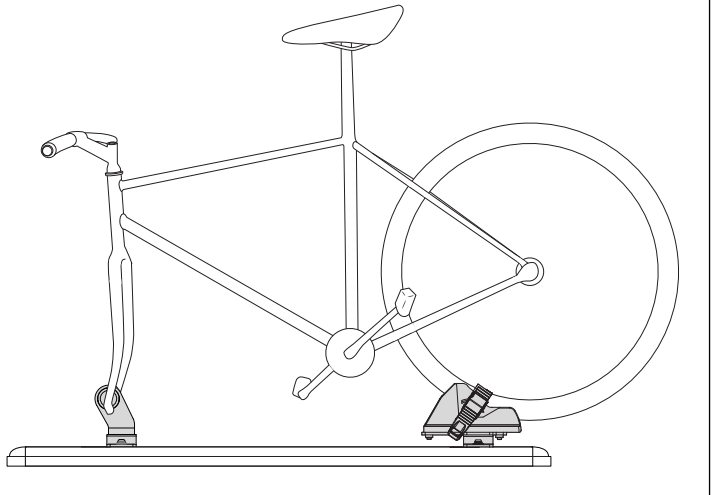
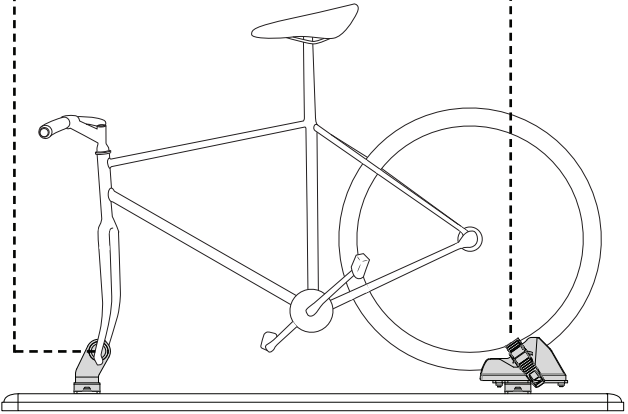
6



7

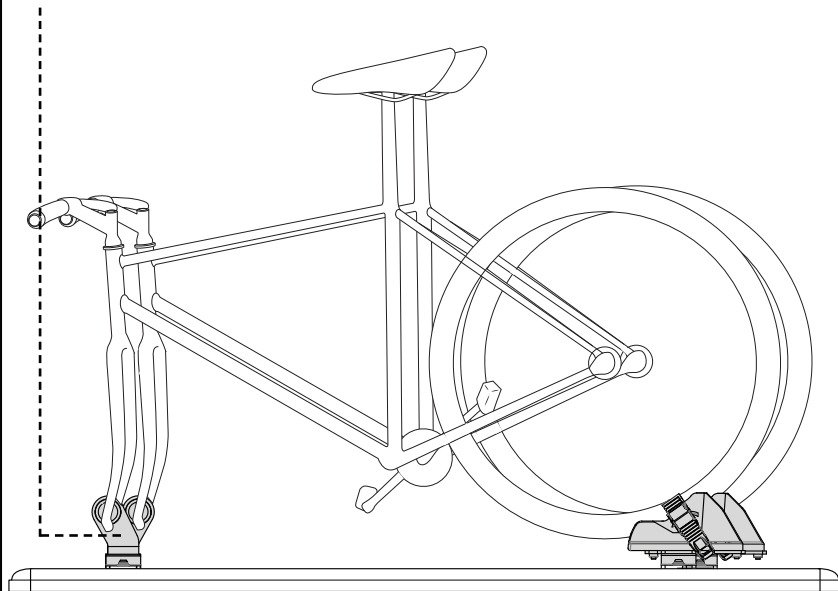


Carrier can be rotated when installing to smaller trays. The rear wheel mount will then grip the inside of the bike wheel.



### Note

To prevent handlebars clashing when multiple carriers are used, rotate the front carrier on alternating setups.



Front View:

