



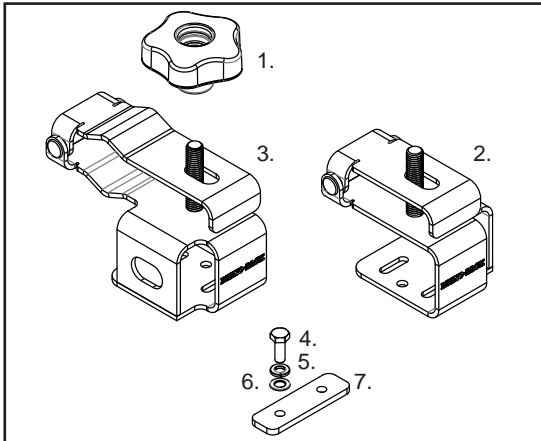
# RHINO-RACK

## 43219 Pioneer High Lift Jack Bracket

**Important:** Please read these instructions carefully prior to installation. Please refer to your fitting instruction to ensure that the Roof Rack System is installed in the correct location. Check the contents of kit before commencing fitment and report any discrepancies.

Recommendations: NEVER mount brackets on two adjacent pioneer planks. Always have mounted with minimum two plank spacing to evenly support the load.

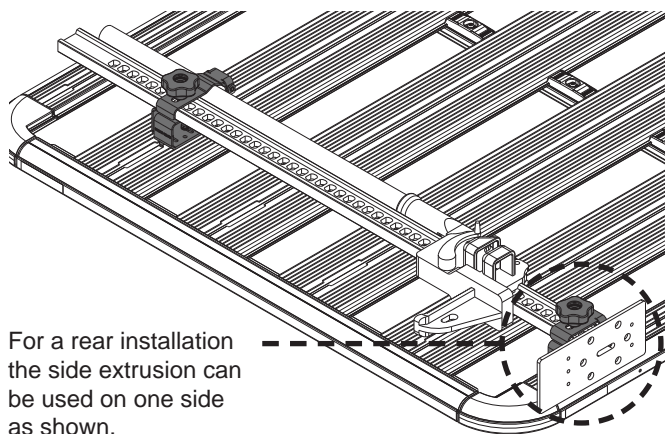
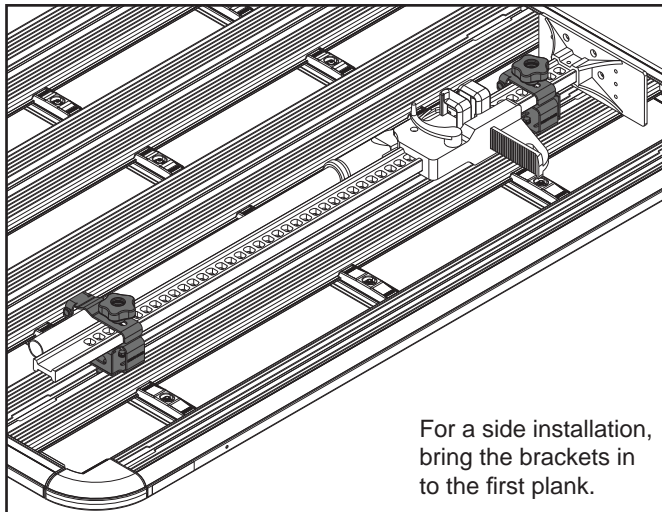
Item	Component Name	Qty	Part No.
1	M10 Turn Knob	2	M874
2	High Lift Rear Bracket	1	43219-01
3	High Lift Front Bracket	1	43219-02
4	M6 x 16mm Hex Bolt	4	B168
5	M6 Spring Washer	4	W004
6	M6 x 12mm Flat Washer	4	W003
7	M6 Plate Nut	2	C593
8	Instructions	1	R1225



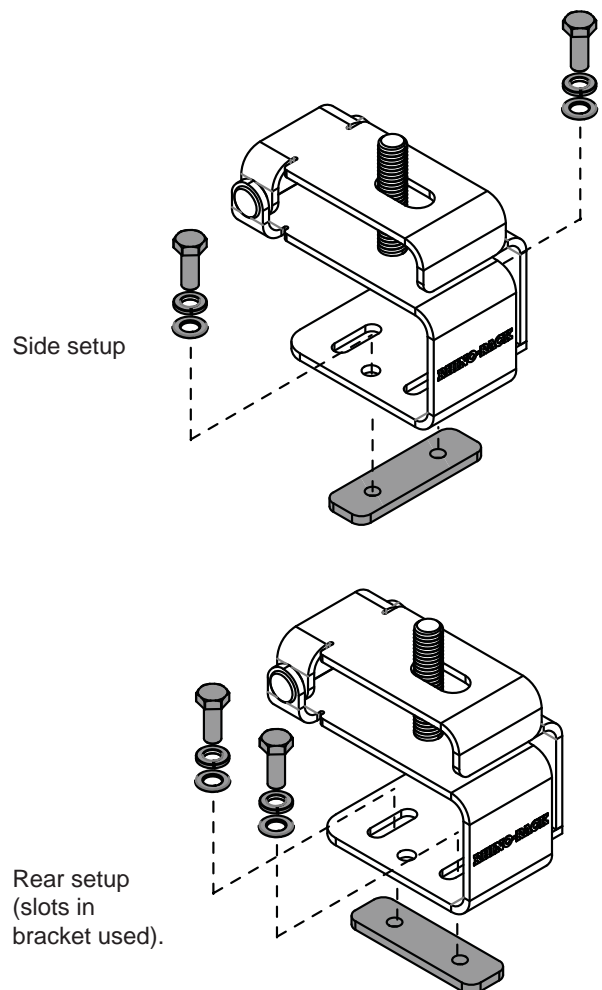
Tools Required: 10mm Socket Wrench/ Spanner.

Note: 43219 High Lift Jack Brackets are intended for use with Pioneer range only. Always use caution and seek help with lifting heavy high lift jacks above roof of vehicle. Check M10 turn knobs are tight before driving. Locking cables 43205, 43206 are recommended.

**1** Before installing the brackets, decide on the orientation that would best suit your needs. The bracket can be installed at the side or rear of the platform. Note that for the sides of the platform, bring the brackets in to the first plank as opposed to the side extrusion.



**2** Install the mounting hardware to the bracket. Finger tighten at this stage (rear and front bracket installed in the same method).

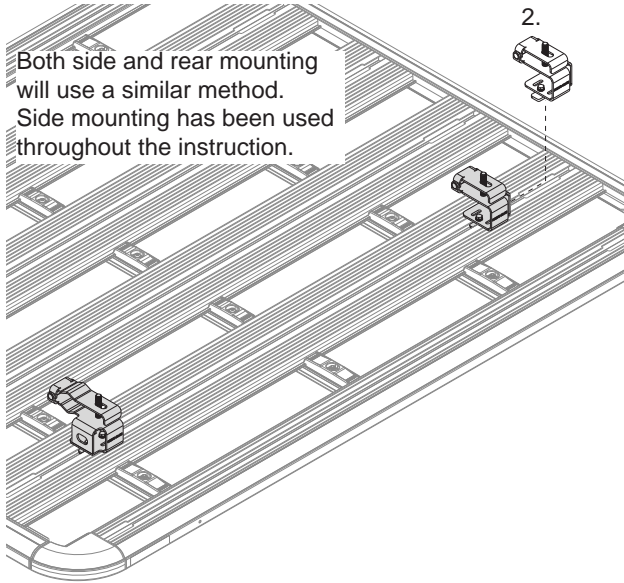




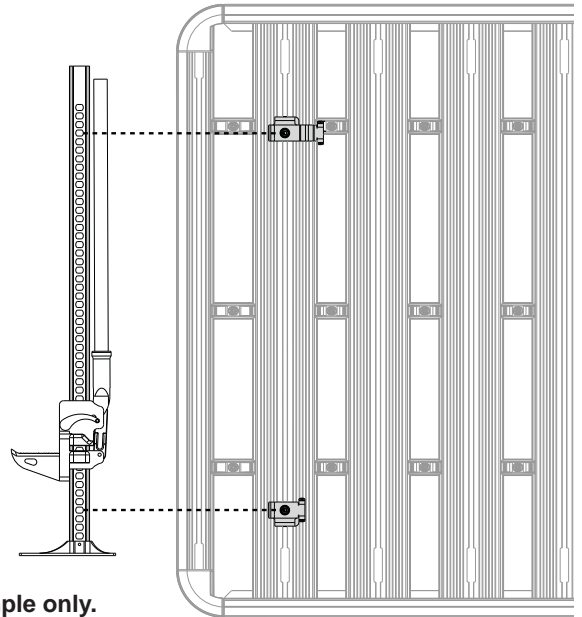
## 43219 Pioneer High Lift Jack Bracket

- 3** Slide the two brackets into the first plank in from the side of the platform. Position item 2 toward the rear of the platform.

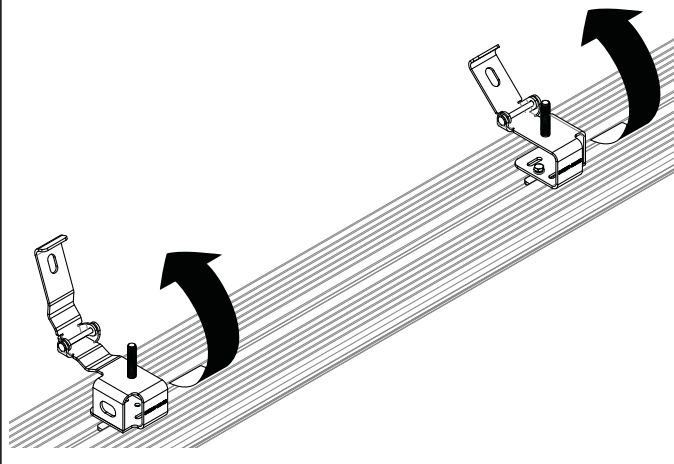
Both side and rear mounting will use a similar method. Side mounting has been used throughout the instruction.



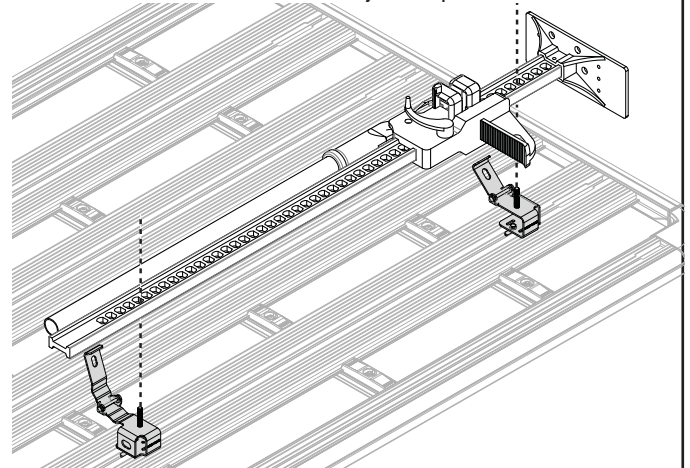
- 4** With the brackets in the slot of the plank, measure the length of your high lift jack and position the brackets in the appropriate position.



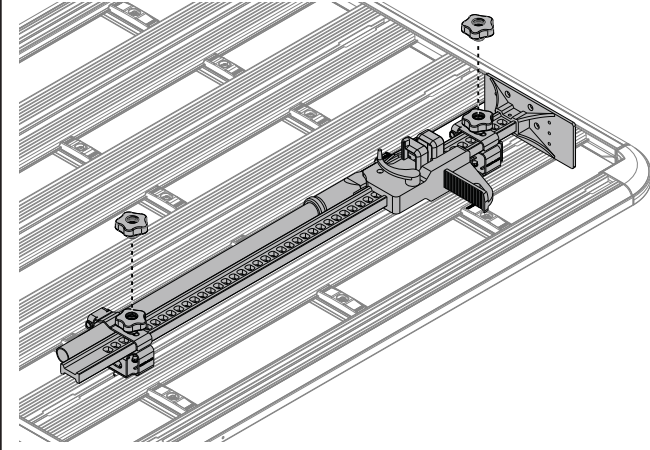
- 5** Open the brackets.



- 6** Place the high lift jack into the brackets as shown. Close the brackets with the jack in place.



- 7** With the jack in place, lock the brackets with the M10 knobs. Check all fixtures are secure before use.



Note the handle of the jack sits into the cradle on the front bracket when seated correctly.

**⚠** Be aware that some high lift jack models may cause some noise when facing into oncoming winds. Reverse the jack's position to lessen this effect.

Handles on some high lift jack models can cause noise in high winds.

