

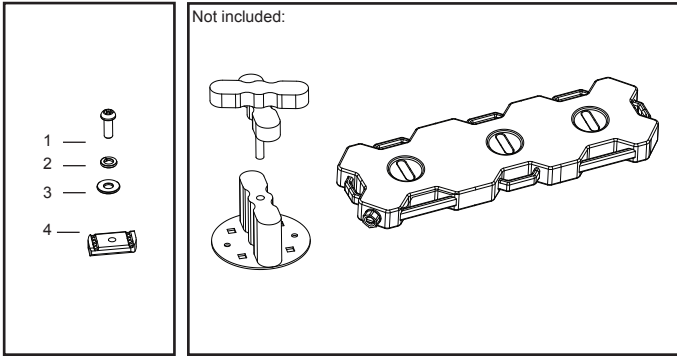


RHINO-RACK

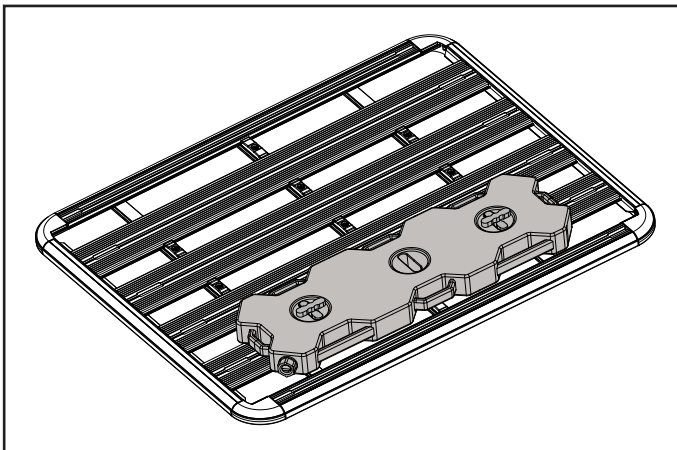
Rotopax Fit Kit for Pioneer Range (43203)

To be used in conjunction with Rotopax Mounts Part no's: RX-PM / RX-DLX-PM / RX-LOX-PM

Parts List



Item	Component	Qty	Part No.
1	M6 x 16 Button Head Bolt	4	B061
2	M6 Flat Washer	4	W003
3	M6 Spring Washer	4	W004
4	M6 Channel Nut	4	N002
5	Allen Key	1	TORKEY-L
6	Fitting Instructions	1	R928



1 Assemble the bracket kit as shown. Do not tighten hardware at this stage.

2 Place the spacer kit into the tray access slot as shown. Finger tighten the bolts.

3 Place a Rotopax besides the Rotopax Pack Mounts and adjust so that the slots align.

4 Place the Rotopax onto the pack mounts. Tighten all four bolts.

5 Ensure that the upper handle tightened and is positioned perpendicular to the lower handle.