



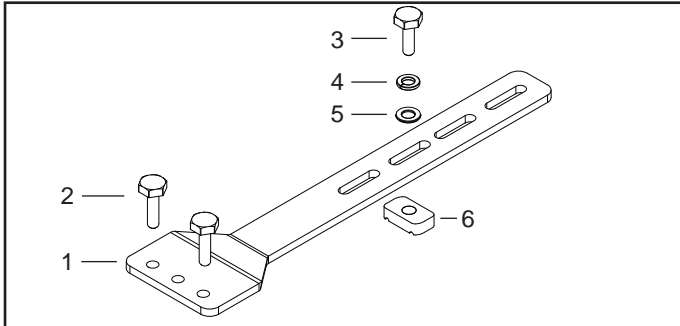
RHINO-RACK

Recovery Support Bracket 43197

For use with 3 or more Recovery Tracks

Note: For use with Pioneer Platform and Tradie. The Pioneer Welded Tray does not require Support Bracket.

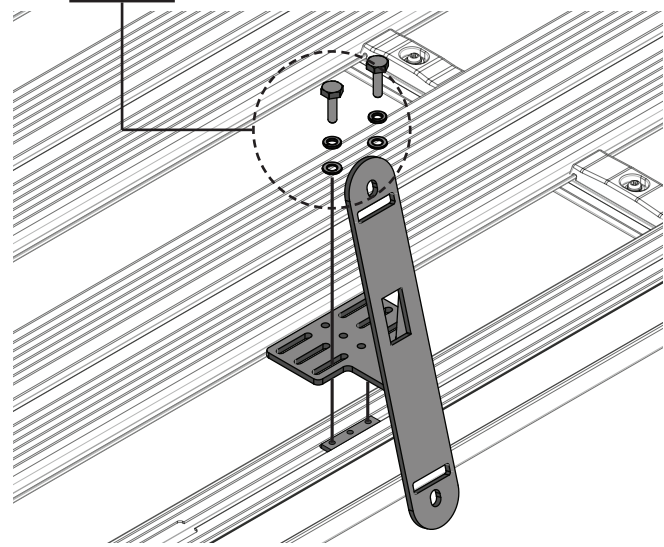
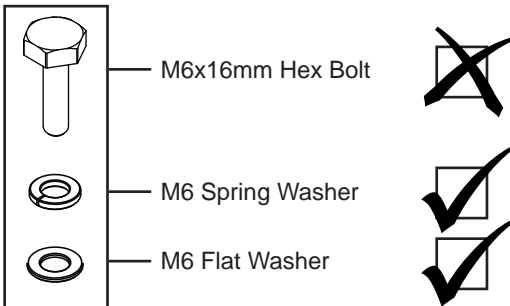
Important: Please read these instructions carefully prior to installation.
Please refer to your fitting instruction to ensure that the alloy tray is installed correctly.
Check the contents of this kit before commencing fitment and report any discrepancies.



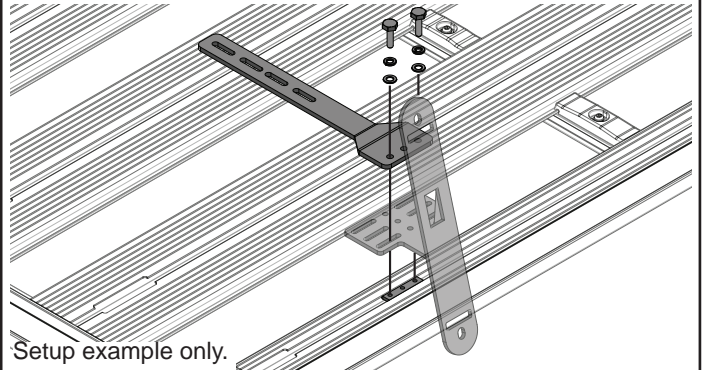
Item	Component	Qty	Part No.
1	Recovery Track Support Bracket	2	CA1445
2	M6x25mm Hex Bolt	4	B067
3	M6x20mm Hex Bolt	2	B082
4	M6 Spring Washer	2	W004
5	M6 Flat Washer	2	W031
6	M6 Channel Nut	2	N002
7	Fitting Instructions	1	R733

1 If Recovery Track Side Brackets (43159) are already installed, remove the assembly from the Pioneer Platform/ Tray. Store the M6x16 Hex Bolts in a safe place, but keep the M6 Spring and Flat Washer on hand. Leave the Plate Nut in place.

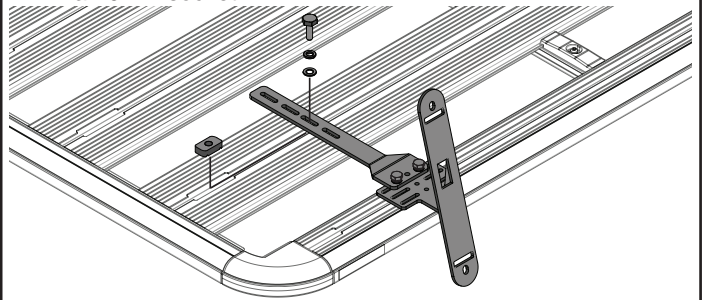
If installing for the **first time**, take this hardware out of the 43159 kit.



2 Using the item 2 and M6 Spring and Flat Washers from the previous step install the Recovery Track Support Bracket as shown. Tighten with a 10mm socket in the desired location.



3 Fix the rear of the Bracket in place by sliding the M6 Channel Nut into the 'C' Channel of the Platform or Tray. Slide the M6x20 Hex Bolt, with the M6 Spring and Flat Washers from this kit, into the channel nut. Tighten with a 10mm socket.



Note:

Be aware that the Support Bracket can be mounted using any of its mounting points. These mounting positions will vary depending on the Pioneer or Tradie Platform/ Tray purchased.

