



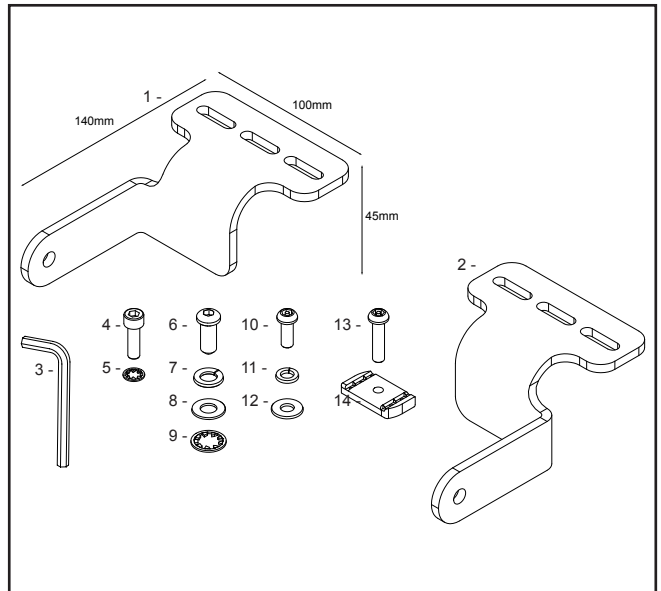
RHINO-RACK

43174 - VA/HD LED Light Brackets
 Also compatible with Rola HD and Whispbar HD Bars

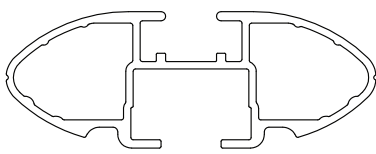
Place these instructions in the vehicle's glove box after installation is complete.

Important: Please read these instructions carefully prior to installation.

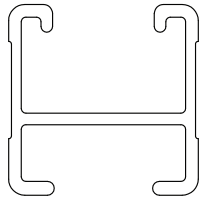
Item	Component Name (Dual Bracket Kit)	Qty	Part No.
1	RH LED Light Bracket S/S	1	CA1447
2	LH LED Light Bracket S/S	1	CA1446
3	Security Allen Key 5mm	1	H021
4	M6 x 20 Socket Head Screw	2	B054
5	M6 Shake Proof Washer	2	W056
6	M8 Button Cap Screw	2	B155
7	M8 Spring Washer	2	W019
8	M8 x 17 Flat Washer	2	W020
9	M8 Shake Proof Washer	2	W033
10	M6 x 16 Security Screw	4	B061
11	M6 Spring Washer	6	W004
12	M6 x 16 x 1.6 Flat Washer	6	W031
13	M6 x 25 Security Screw	4	B137
14	M6 Channel Nut	4	N002
15	Fitting Instructions	1	R722



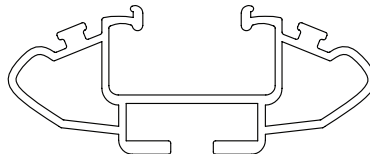
SUITS



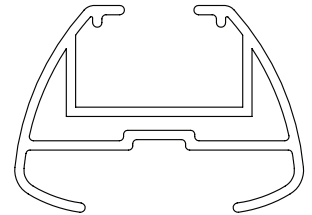
Rhino-Rack
Vortex Aero



Rhino-Rack
HD



Whispbar
HD



Rola
HD

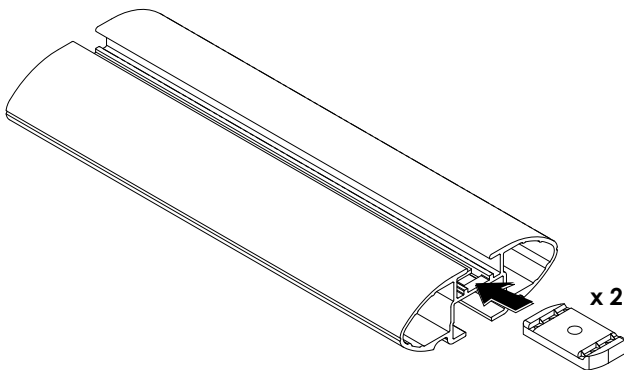
LOAD RATING

Rated for LED Lights

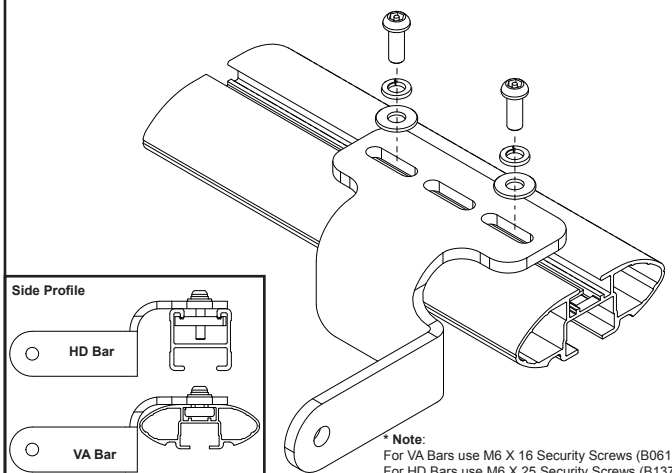
Ensure bolts are regularly checked and tightened to ensure minimal bounce and maximum safety

< 7.5KG

- 1** Remove Rubber strip and end cap of VA/HD Bars. Slide two M6 channel nuts into the top channel of the bar.



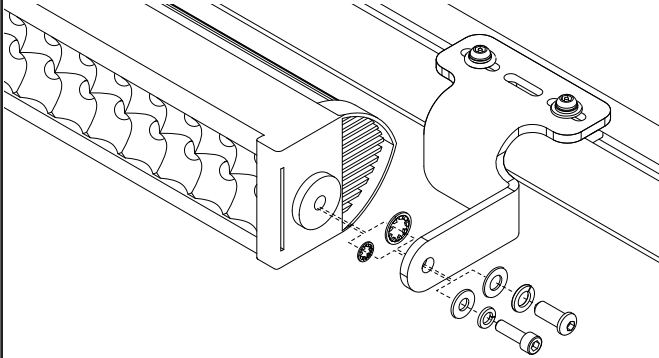
- 2** Place the bracket over the two channel nuts in place with a M6 Security Bolt*, M6 Spring washer



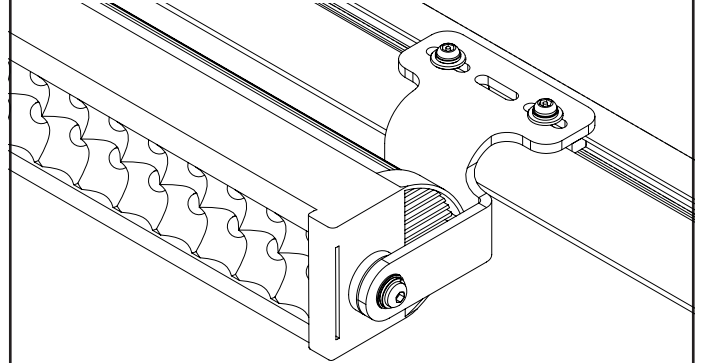


43174 - VA/ HD LED Light Bracket

3 Once the brackets are secured - the LED light bar to the brackets with the either M8 or M6 hardware as shown.

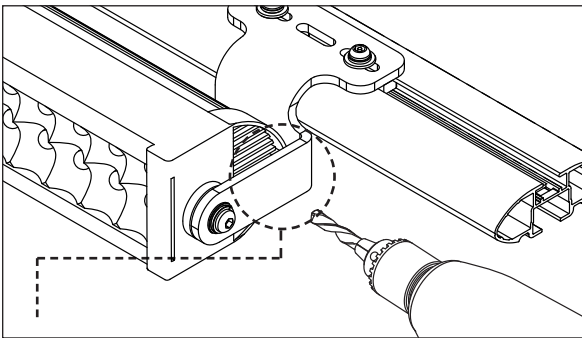


4 Once the LED bar is secured between both brackets - centre the LED Bar between the legs of the roof racks then tighten all hardware with Allen key supplied

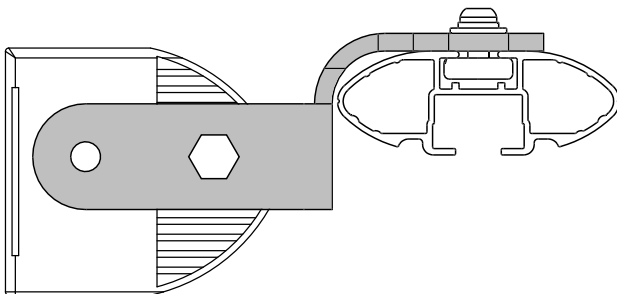
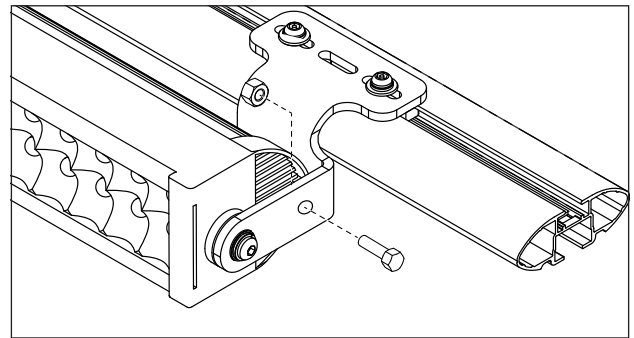


Note:

For heavy/ long LED light bars: It is possible that the LED light installed may move up or down in off-road conditions. To prevent this, locate a suitable spot on your LED light bar that can serve as a locking position, drill through the bracket and connect the two points with suitable hardware. Note that variations in LED light bars will alter this step slightly. (Hardware not supplied in this kit)



Locate a suitable position for drilling. Look to have the hole in the bracket line up with a position on the light bar that will provide purchase for any hardware used.



Side View: Be sure hardware is secure before use. Note that the VA/HD LED Light Bracket is stainless steel, there will be no corrosion damaged caused by drilling.