



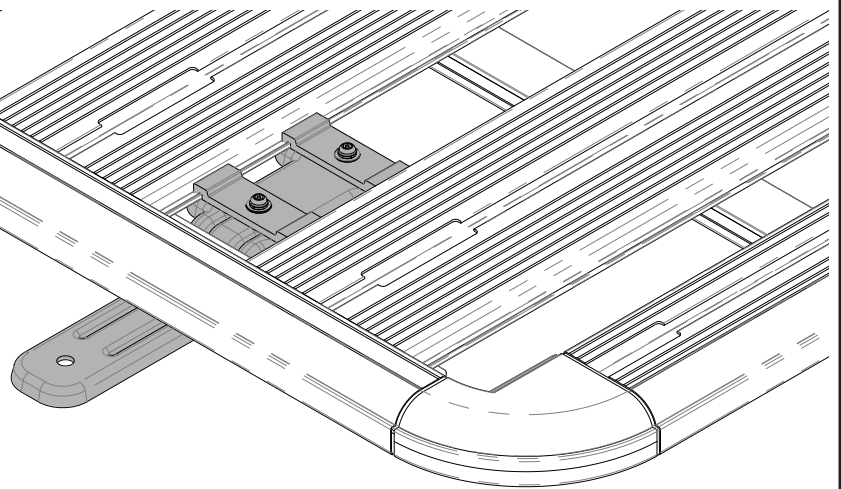
# RHINO-RACK

## 43102/43156 - Spotlight/LED Bracket Pioneer Tray & Platforms (1 and 2 Bracket Kits)

Place these instructions in the vehicle's glove box after installation is complete.

**Note:**

Can be fitted to either front or rear of Pioneer tray.



**Note: Single Bracket Kit 43102 shown.**

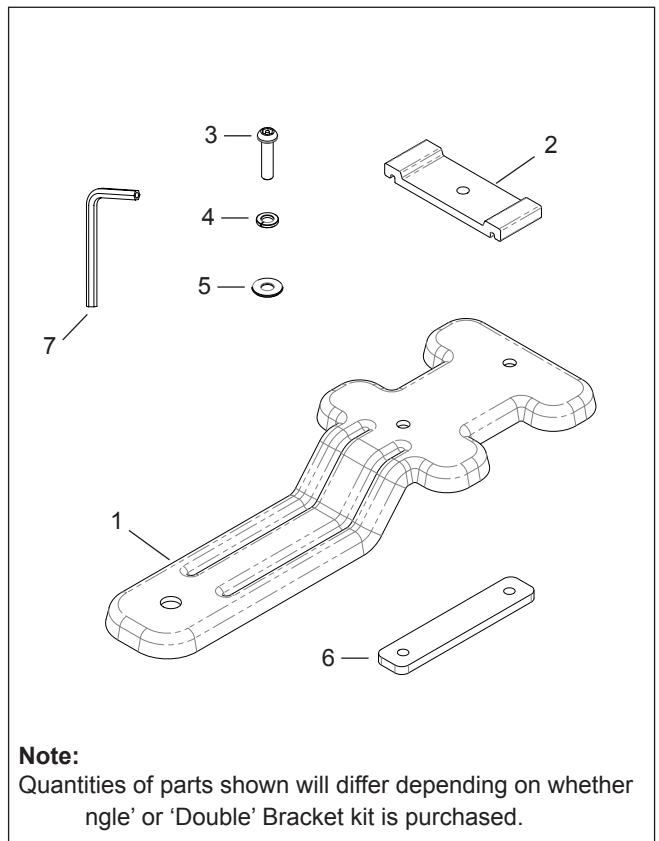
Item	Component (43102 Single Bracket Kit)	Qty	Part No.
1	Pioneer Spotlight Bracket	1	C847
2	Spotlight Bracket Tab	2	A471
3	M6 x 25mm Security Screw	2	B137
4	M6 Spring Washer	2	W004
5	M6 x OD16mm Flat Washer	2	W031
6	Plate Nut	1	C396
7	Security Allen Key 5mm	1	H021
8	Fitting Instructions	1	RS-450

Item	Component (43156 Double Bracket Kit)	Qty	Part No.
1	Pioneer Spotlight Bracket	2	C847
2	Spotlight Bracket Tab	4	A471
3	M6 x 25mm Security Screw	4	B137
4	M6 Spring Washer	4	W004
5	M6 x OD16mm Flat Washer	4	W031
6	Plate Nut	2	C396
7	Security Allen Key 5mm	1	H021
8	Fitting Instructions	1	RS-450

**Tools Required**

Allen Key (provided in kit)

**Care Instruction**



**Note:**

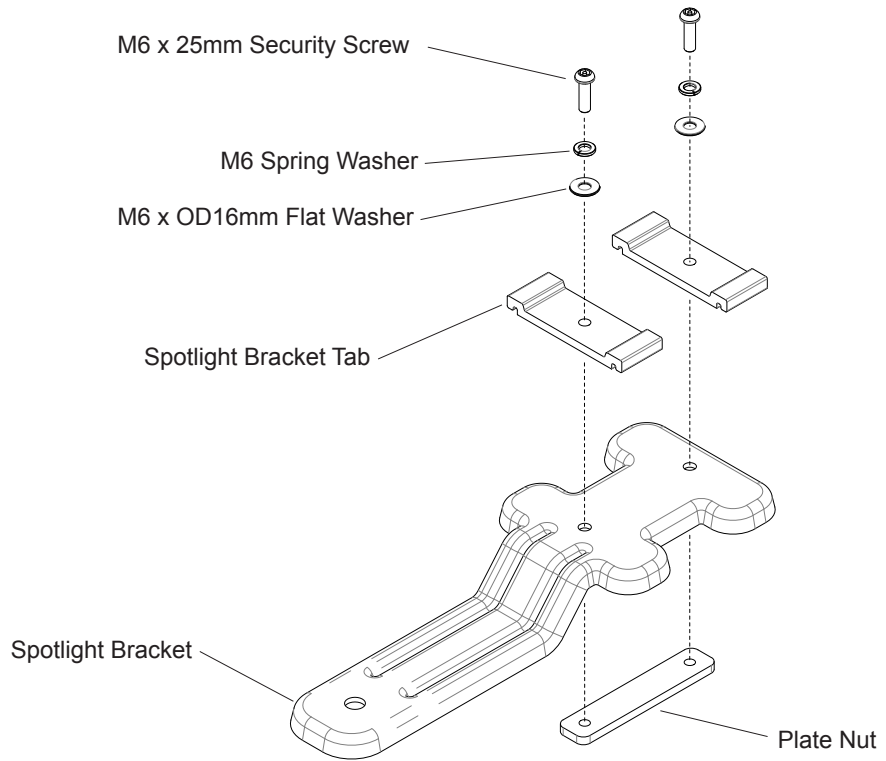
Quantities of parts shown will differ depending on whether 'single' or 'Double' Bracket kit is purchased.



## 43102/43156 - Spotlight/LED Bracket Pioneer Tray & Platforms (1 and 2 Bracket Kits)

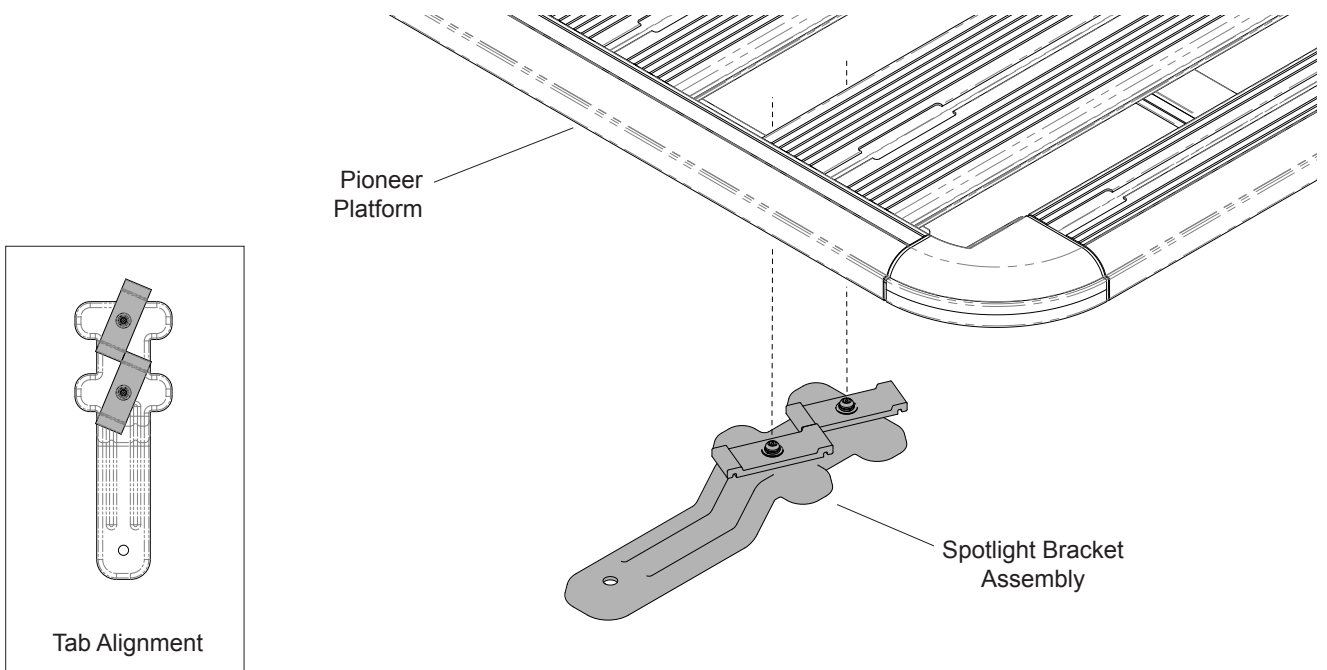
### 1 Fit Hardware to Spotlight Bracket

Fit the hardware shown below to the spotlight bracket with the screws left loose at this stage, engage the screws into the plate nut so that each screw does not protrude through the other side of the plate nut.



### 2 Position Bracket to Under Side of Pioneer Platform

Arrange the spotlight bracket tabs to sit as shown in tab alignment image below. With the tabs set as shown place the spotlight bracket on the under side of the alloy tray in the desired location.

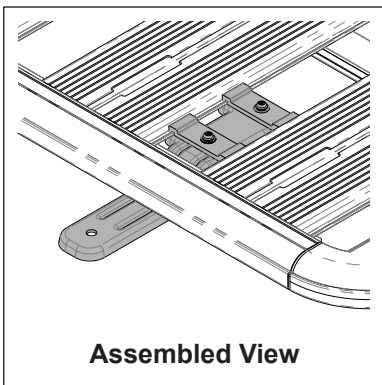
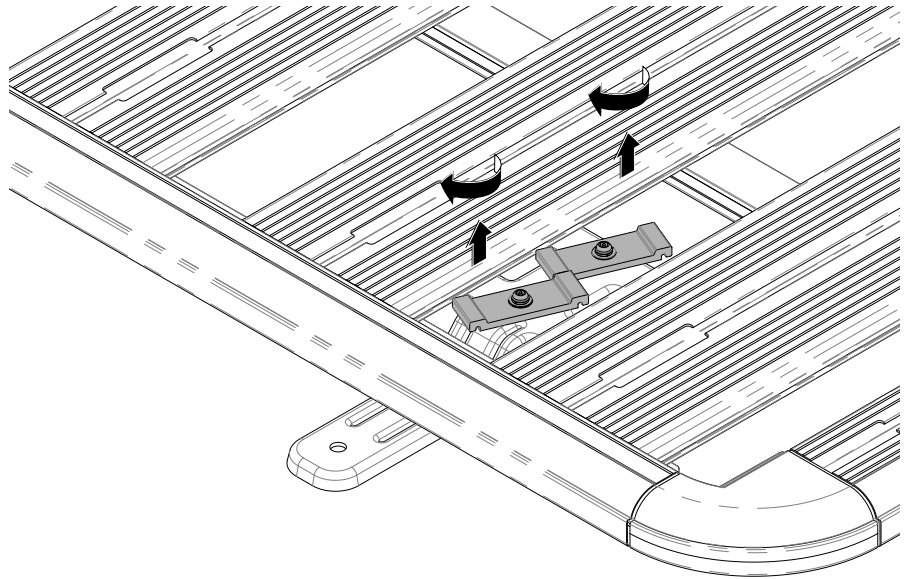




## 43102/43156 - Spotlight/LED Bracket Pioneer Tray & Platforms (1 and 2 Bracket Kits)

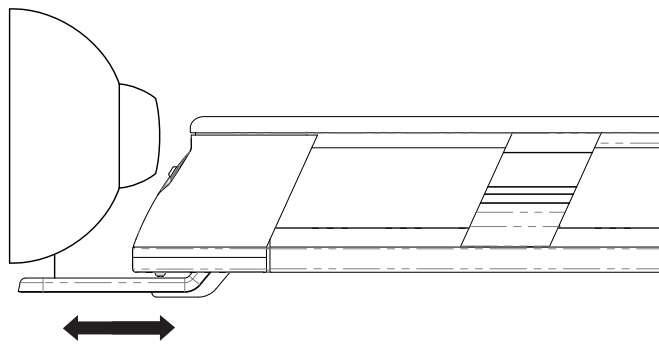
### 3 Rotate Tabs into Position

Whilst holding the spotlight bracket in position lift each of the tabs up and rotate until the tabs sit across both planks. Be careful not to scratch the planks.



Assembled View

### 4 Position Bracket to Suit Spotlight/ LED



Spotlight/ LED Clearance  
(full tray shown)

