

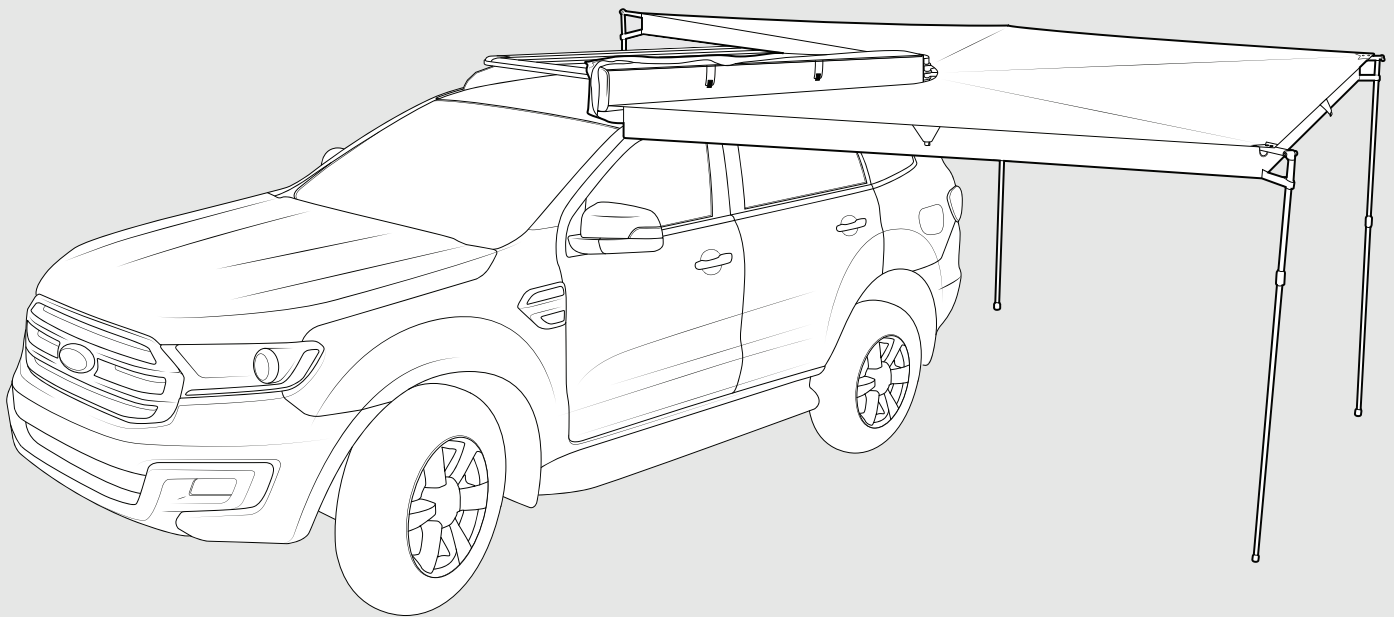
# RHINO-RACK®

## Batwing Awning - 33100 LH / 33200 RH

**Important:**

1. Check the Rhino-Rack website to ensure you have the latest issue of these instructions.
2. Please refer to your fitting instruction to ensure that the roof racks are installed in the correct locations.
3. Check the contents of kit before commencing fitment and report any discrepancies.
4. Place these instructions in the vehicle's glove box after installation is complete.
5. These instructions must be followed for warranty to be upheld.

**Fit Time:** 15 mins



# 33100 LH / 33200 RH Batwing Awning Instructions

## Important Information

### Recommendations

It is essential that all bolt connections be checked after driving a short distance when you first install your Rhino-Rack Batwing Awning. Bolt connections should be checked again at regular intervals depending on road conditions, usage, loads and distances travelled. You should also check the roof bars each time they are refitted.

**Use only non-stretch fastening ropes or straps.**

Please remove Batwing Awning and crossbars when putting vehicle through an automatic car wash.

Do not stow away the awning for long periods if it is wet. You must allow the awning material to dry completely before storing for extended periods of time. When rolling up the awning, avoid excessive bunching up of the material before stowing. The awning should be rolled up as neatly as possible following the instruction on page 9.

### Torque settings

Unless stated otherwise in these instructions, all fasteners should be set to the following torque settings - M6: 4-5Nm (3-4lbs/ft), M8: 8-10Nm (6-7.5lbs/ft) and M10: 16-18Nm (12-13lbs/ft).

### Load Ratings

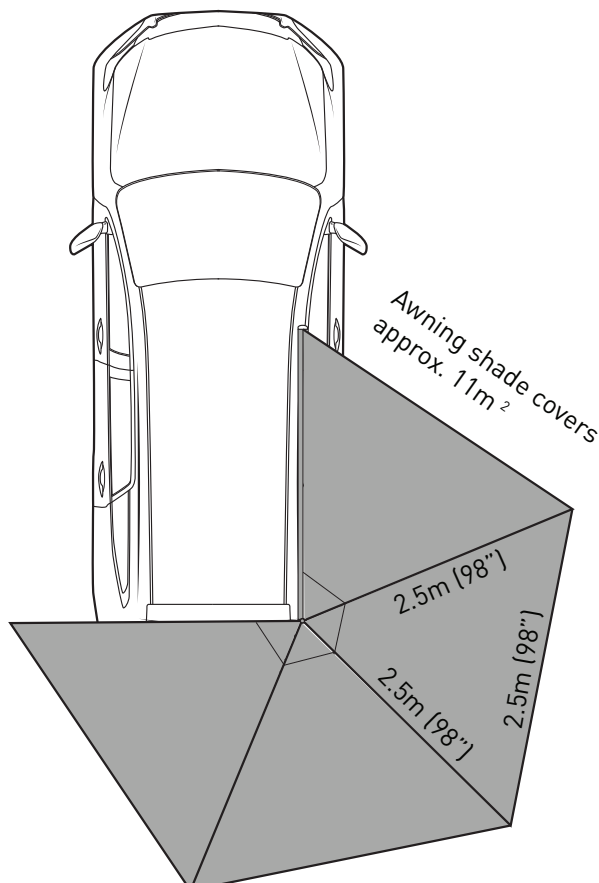
With the addition of the Batwing Awning, the load capacity of your crossbars will have to be adjusted accordingly. The Batwing Awning with mounting brackets weighs approximately 20kg.

### Note for Dealers and Fitters

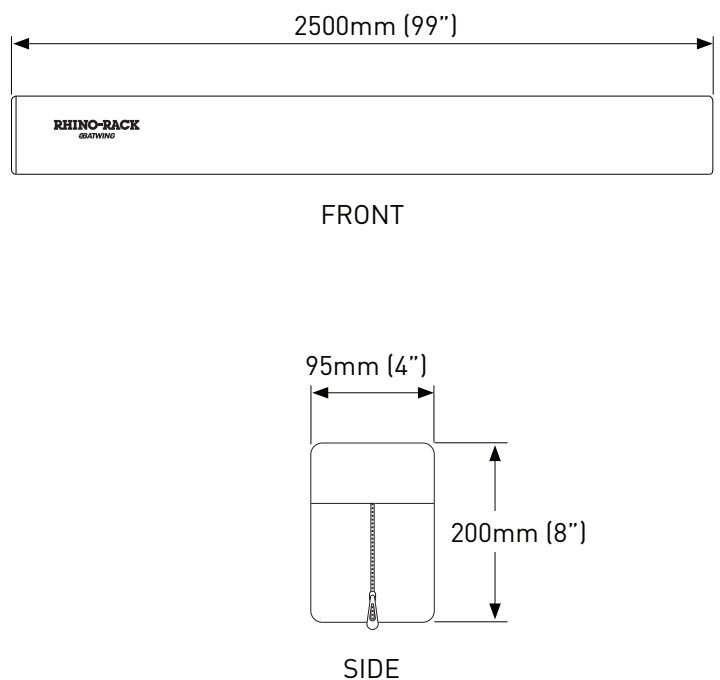
It is your responsibility to ensure this fitting instruction is given to the end user or client. It is your responsibility to ensure these fitting instructions are given to the end user or client. These instructions remain the property of Rhino-Rack Australia Pty. Ltd. and may not be used or changed for any other purpose than intended.

### Critical Dimensions

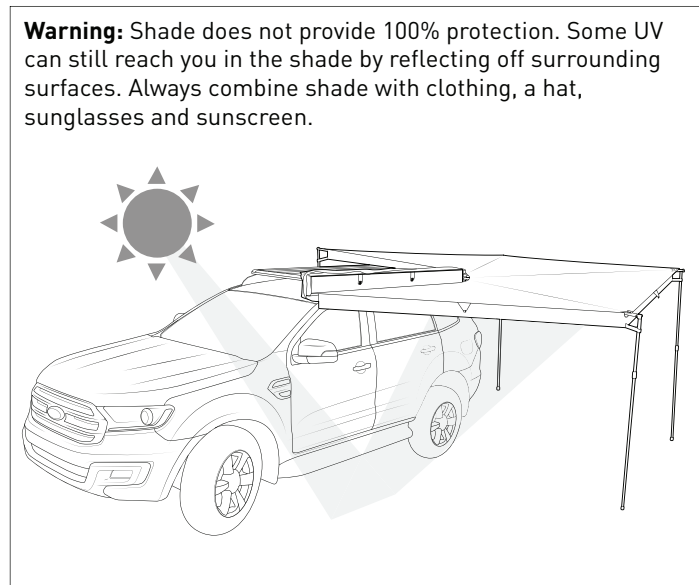
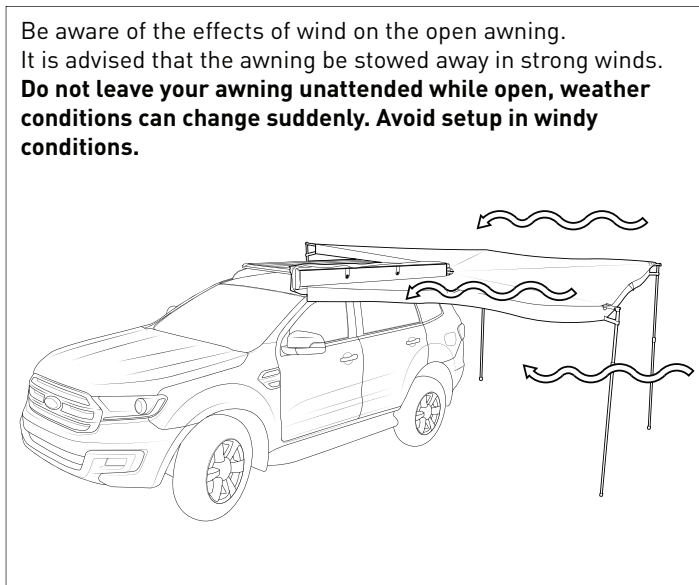
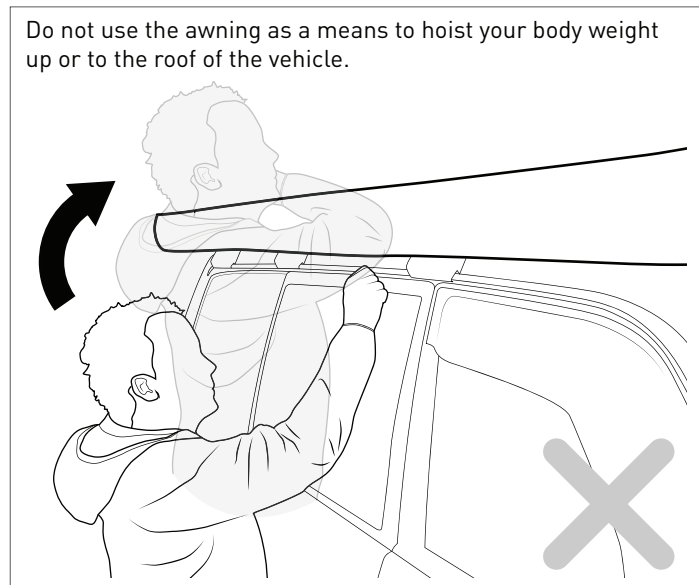
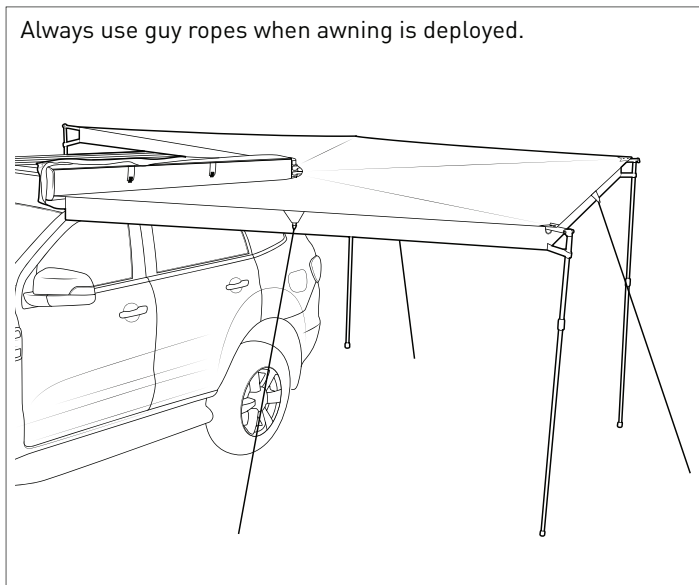
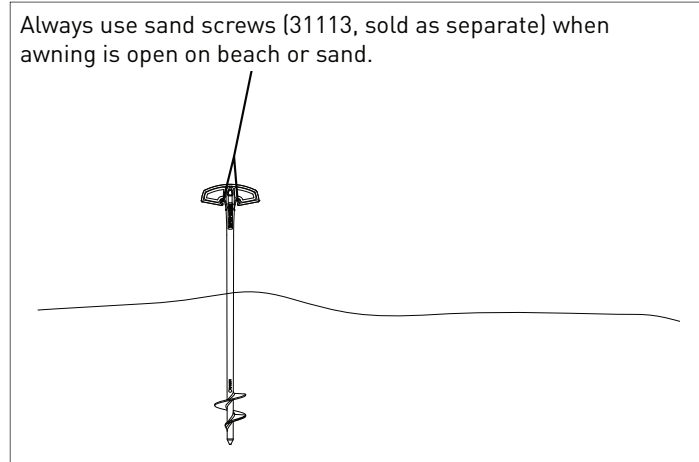
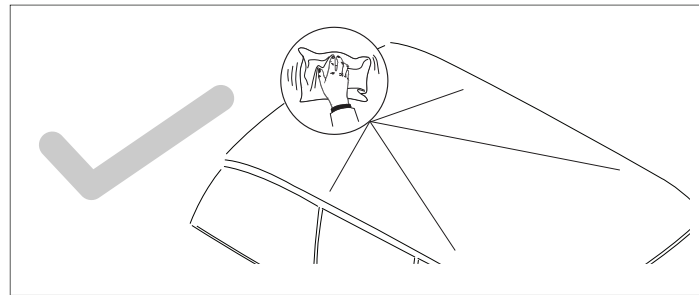
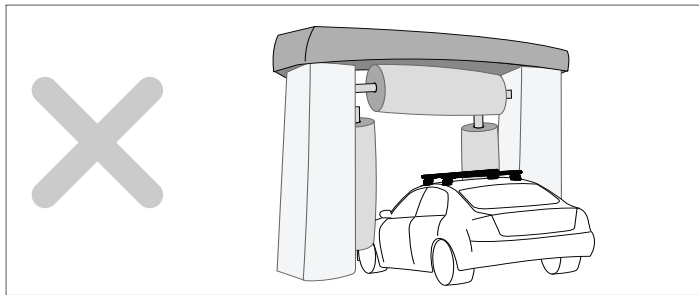
Overall Dimensions



Storage Dimensions

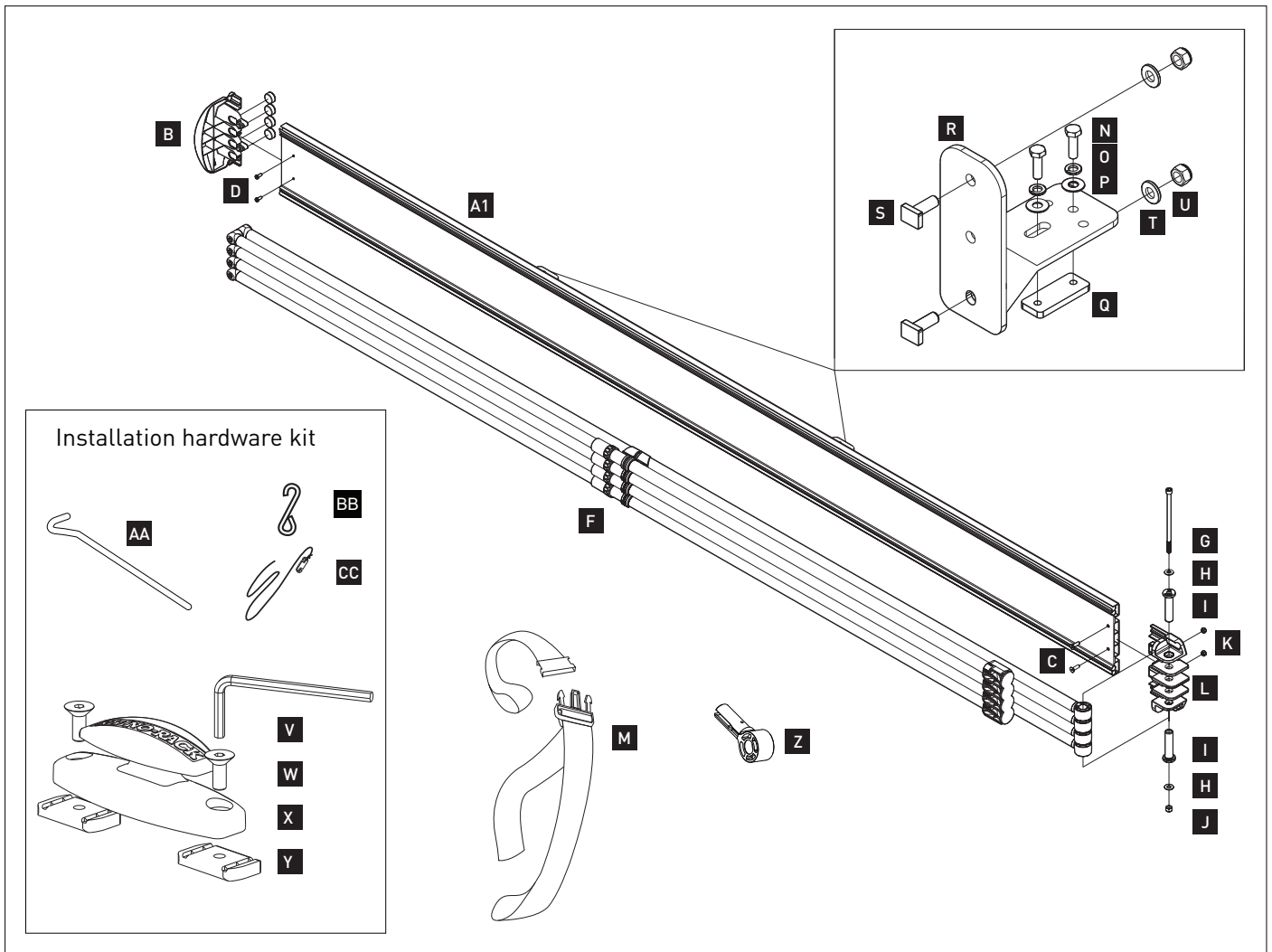


# 33100 LH / 33200 RH Batwing Awning Instructions



# 33100 LH / 33200 RH Batwing Awning Instructions

## Parts List



Item	Assembled Batwing	Qty
A1	Batwing Main Extrusion	1
A2	Batwing Bag	1
B	Batwing End Cap	1
C	M6 x 20mm CSK Screw	2
D	Phillips Screw	2
E	Batwing End Cap Magnet	4
F	Batwing Spar Support	4
G	M8 x 150mm Axle Bolt s/s	1
H	M8 x 17mm Flat Washer	2
I	Batwing Spar Hinge Pin	2
J	M8 Nyloc Nut	1
K	M6 Nyloc Nut	2
L	Spar Hinge Casting	1
M	Retention Strap	1

Item	Hardware kit	Qty
N	M6 x 20mm Hex Bolt	4
O	M6 Spring Washer	4
P	M6 x 16mm Flat Washer	4
Q	Plate Nut	2
R	Pioneer Awning Bracket	2
S	M8 x 23mm T-bolt	4
T	M8 x 17mm Flat Washer	4
U	M8 Nyloc Nut	4
V	Allen Key 4mm (H001)	1
W	M6 x 16mm CSK Screw	2
X	Pickup Moulding (SP202)	1
Y	M6 Channel Nut (N002)	2
Z	Spare Hinge Moulding	2

### Tools required

- T1 - 10 & 13mm Socket wrench
- T2 - 6mm Allen key
- T3 - Hammer/mallet
- T4 - Phillips head screwdriver

Item	Peg Bag	Qty
AA	Metal Peg	10
BB	Guy Rope 'S' Hook	4
CC	Guy Rope	8

Installation & Setup

**1** Vortex Crossbar/Pioneer Heavy duty crossbar. \*Requires 33101 kit

**2** Install the pick up mounting points at the rear of the vehicle, on the opposite side you intend to fix the Batwing awning to. Tighten in place with 6mm allen key

**3** Slide the bracket assemblies into either of the slots of the Batwing awning. Finger tighten only.

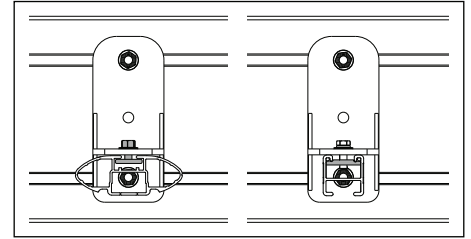
Be aware of height differences when changing bracket orientation. Confirm door clearance.

**4**

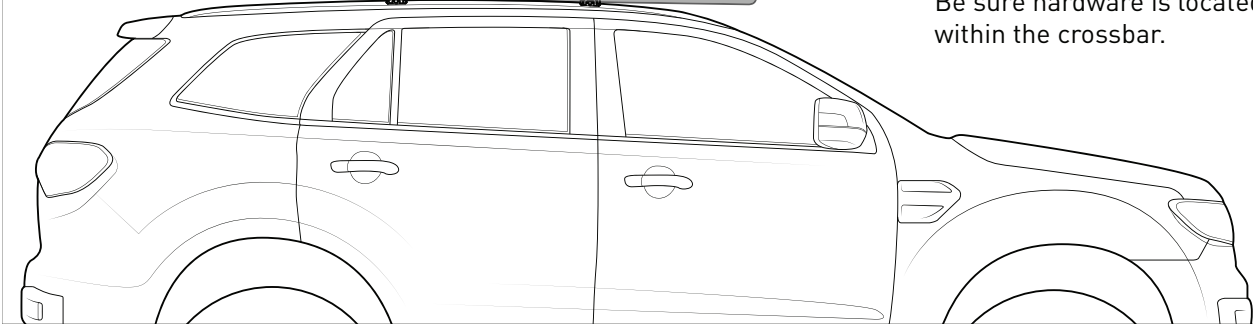
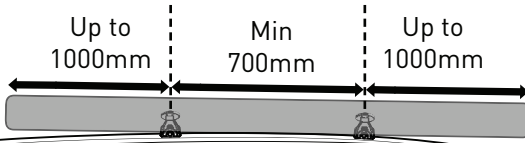
Vortex crossbar Pioneer Heavy duty crossbar  
\*Requires purchase of 33101 hardware kit.

# 33100 LH / 33200 RH Batwing Awning Instructions

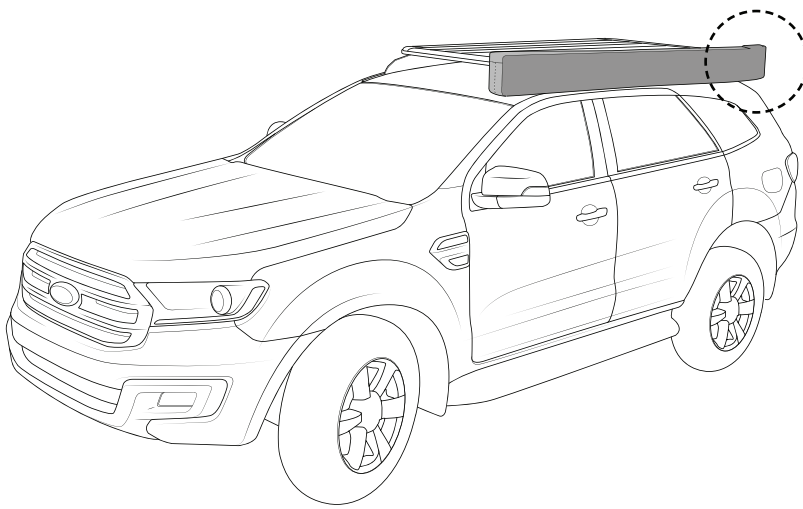
**5** Tighten to 4-5Nm with a 13mm socket wrench.  
Be aware of tail gate position & adjust awning position accordingly.



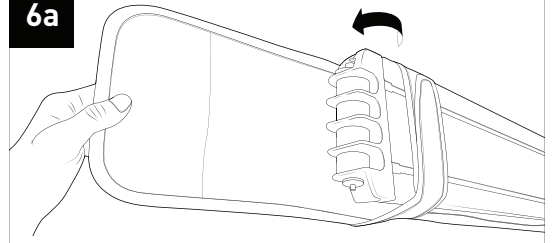
Be sure hardware is located correctly within the crossbar.



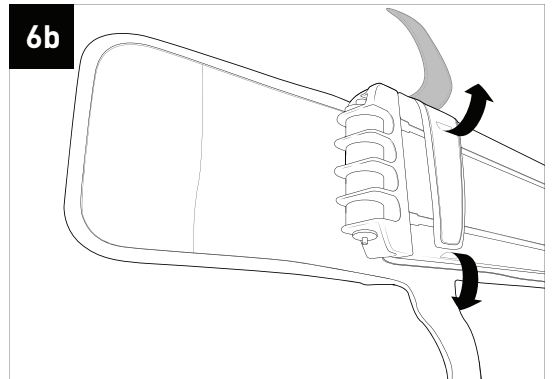
**6**



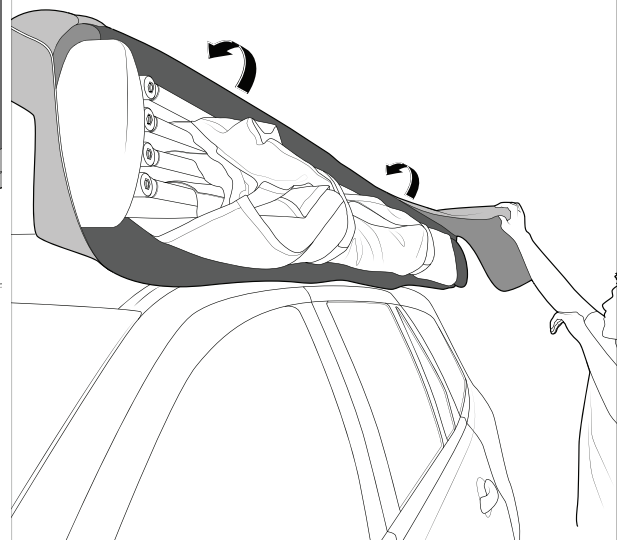
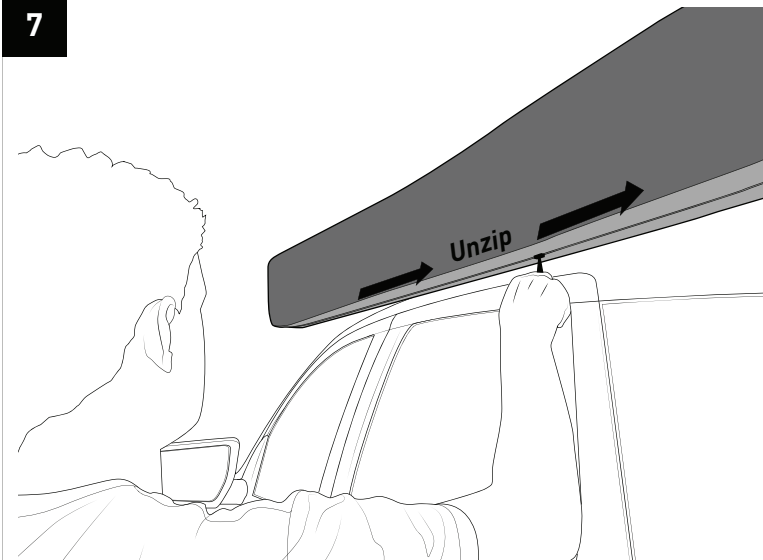
**6a**



**6b**

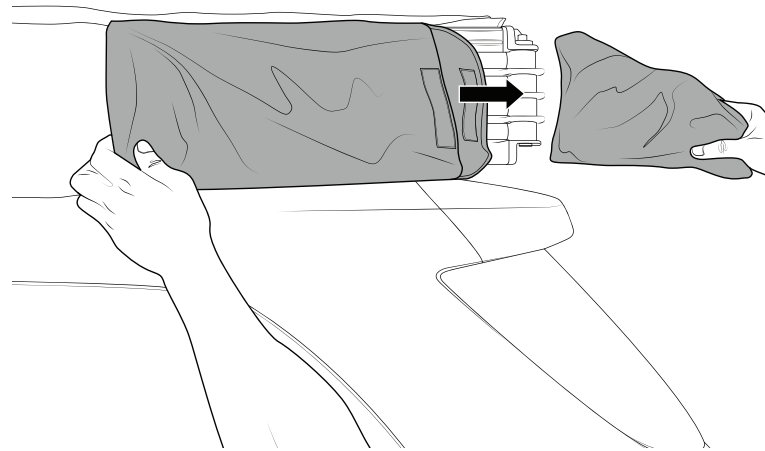


**7**

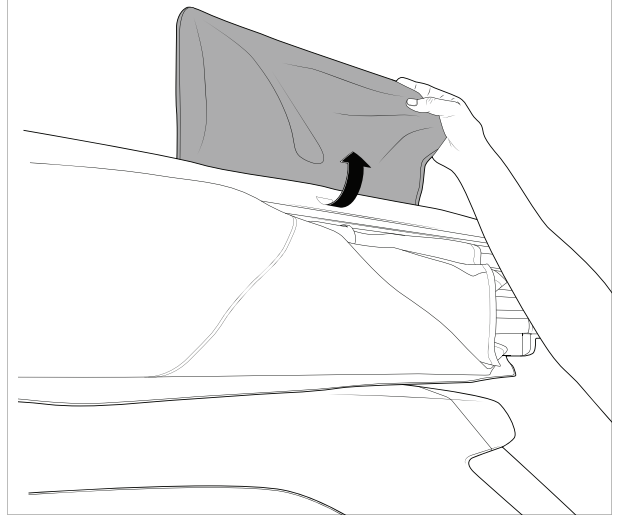


# 33100 LH / 33200 RH Batwing Awning Instructions

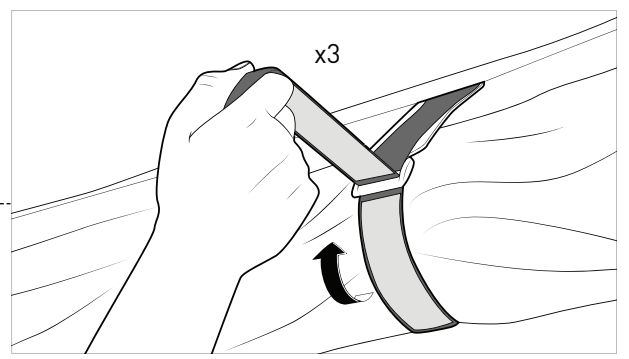
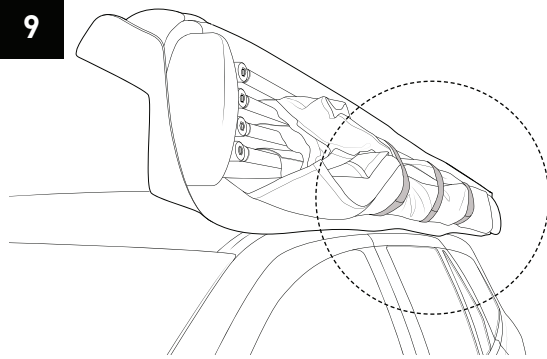
**8** Remove the peg bag from the peg pouch at the rear of the awning.



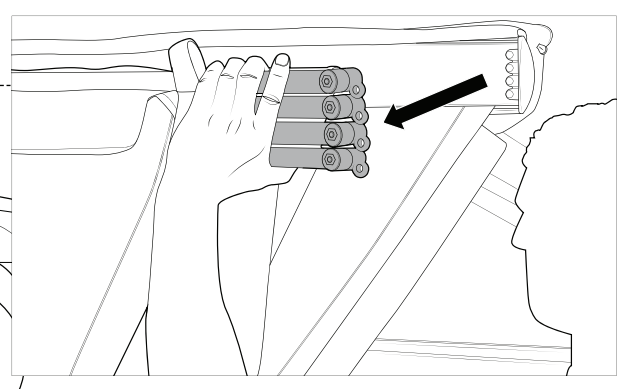
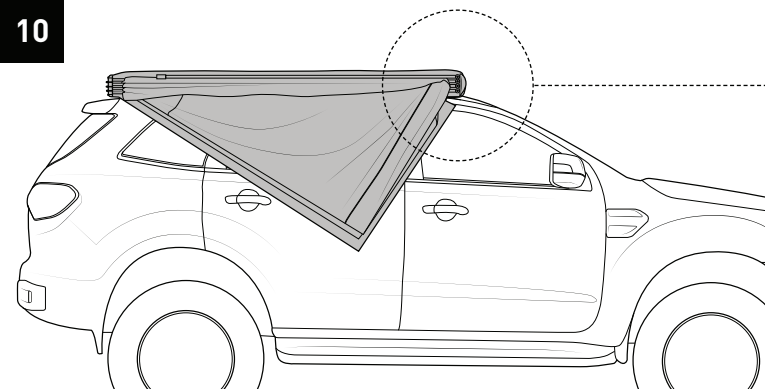
Flip the peg pouch over the back of the awning.



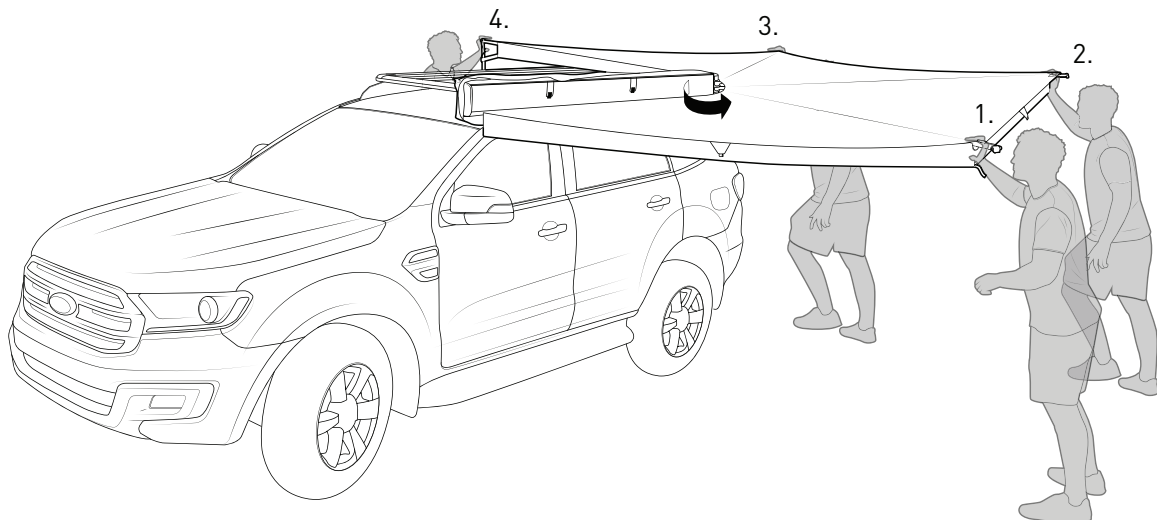
**9**



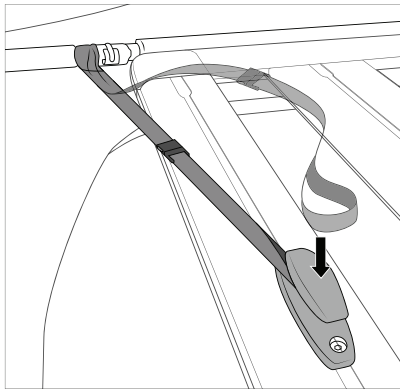
**10**



**11**

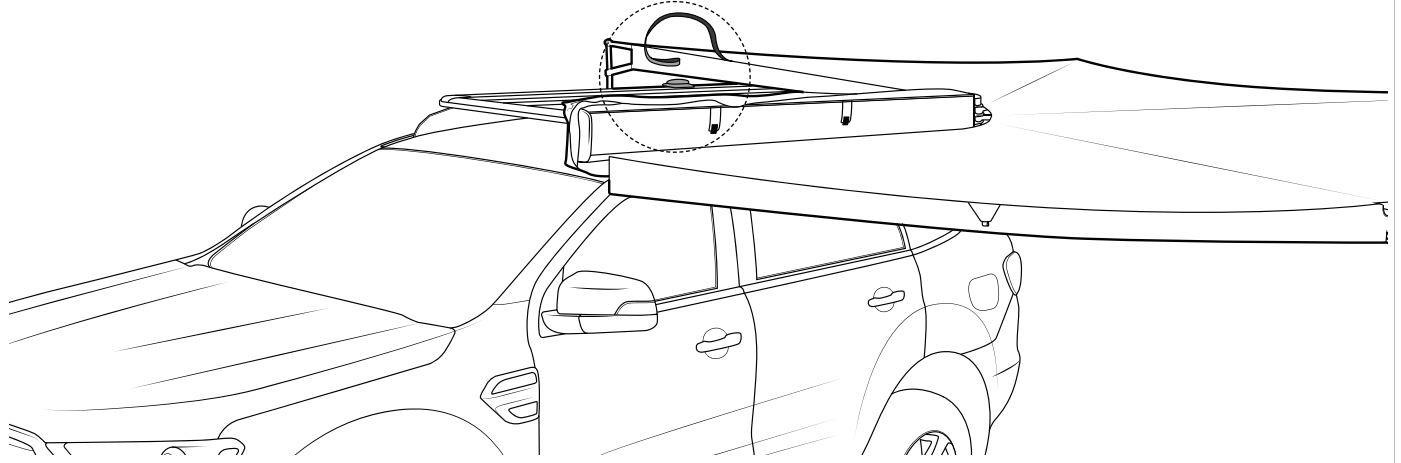
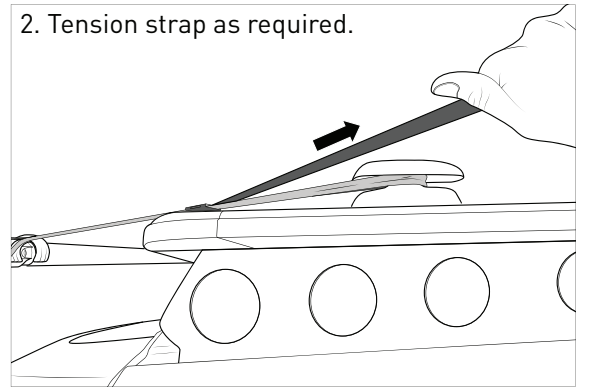


12



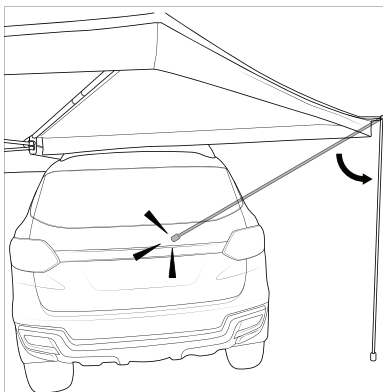
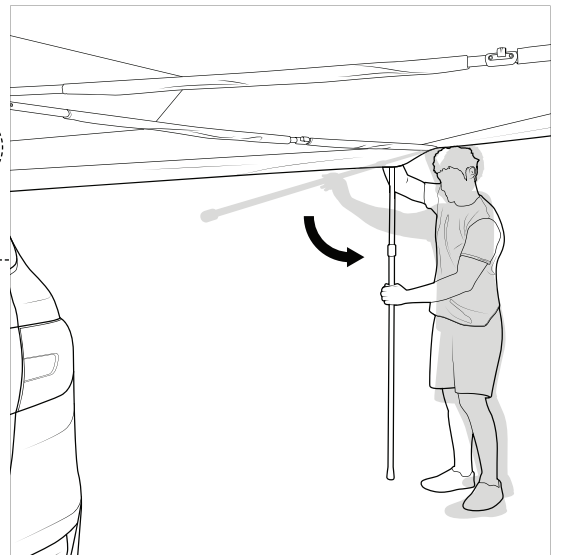
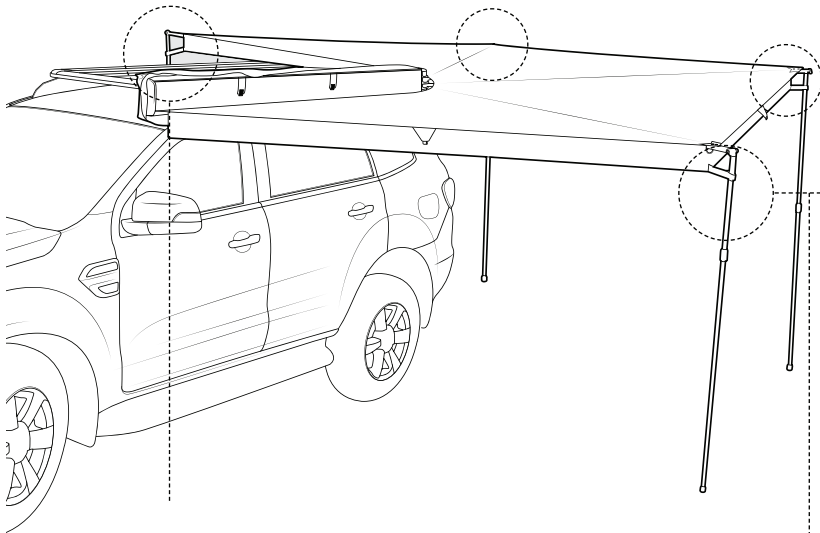
1. End horizontal support may have a slight curve after tensioning. This is normal on some vehicles.

2. Tension strap as required.



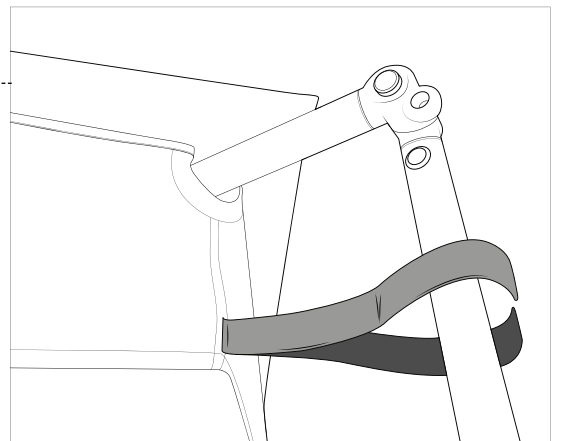
13

Unclasp the supports and drop them down into position.



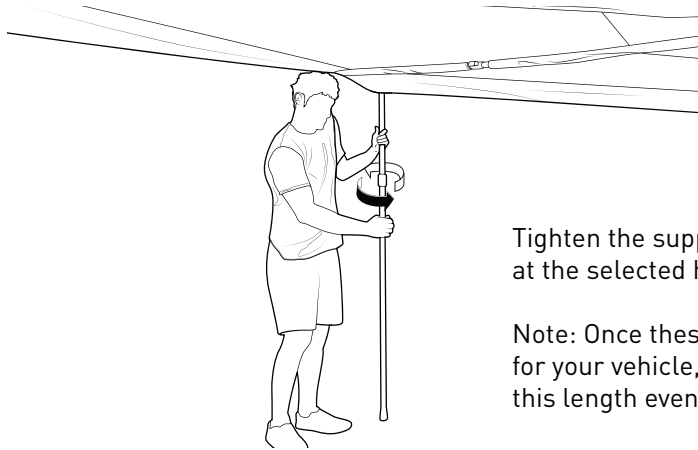
Be aware on some vehicles the 4th support can hit the rear of the vehicle when dropped down.

- Simply:
1. Undo the tension strap,
  2. Drop the support,
  3. Re-attach the retention strap.



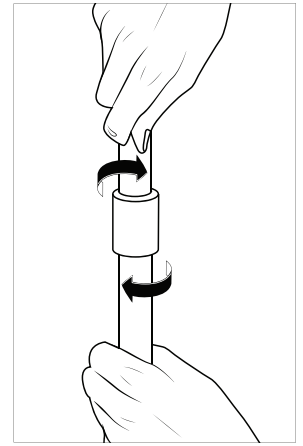


14



Tighten the support poles in place at the selected height.

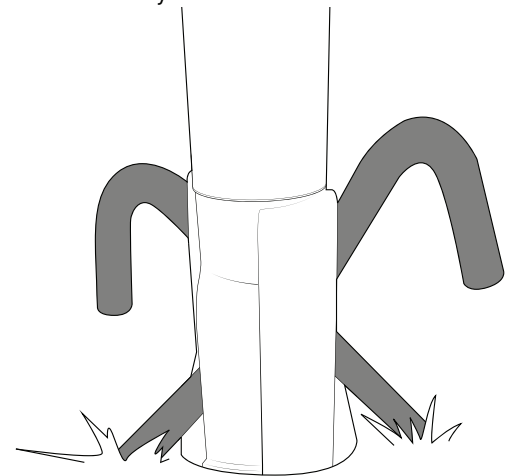
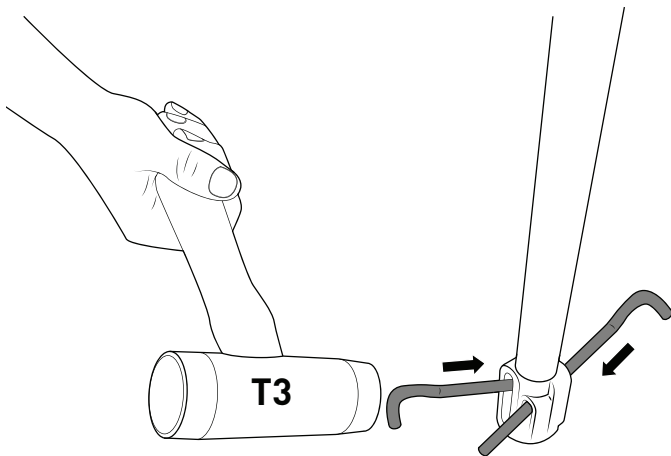
Note: Once these heights are set for your vehicle, they can be left at this length even when stowed away.



15

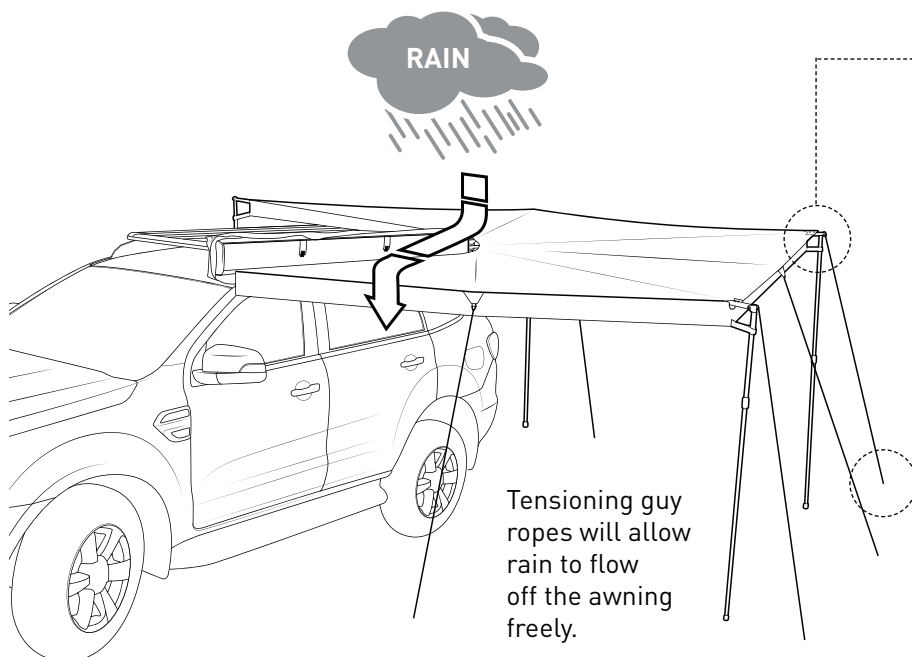
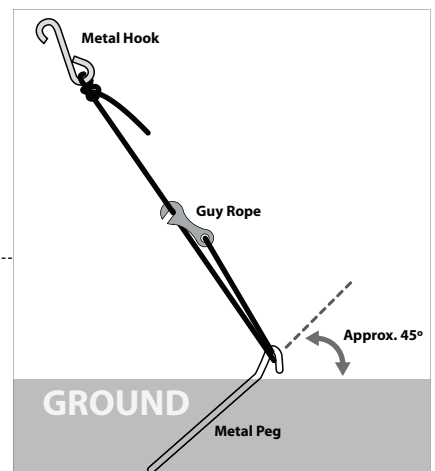
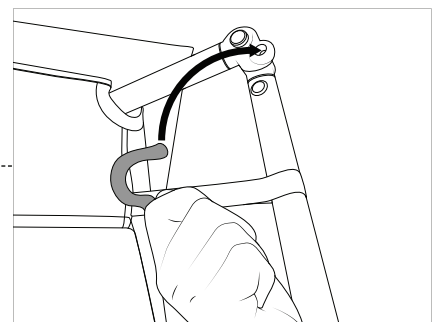
Drive a peg through the foot of the support. Pegs can be driven in both sides to lock the support down.

Leave a small gap to allow pegs to be removed easily.



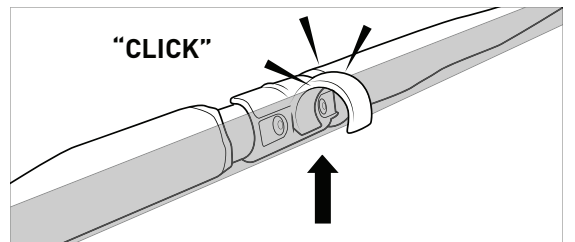
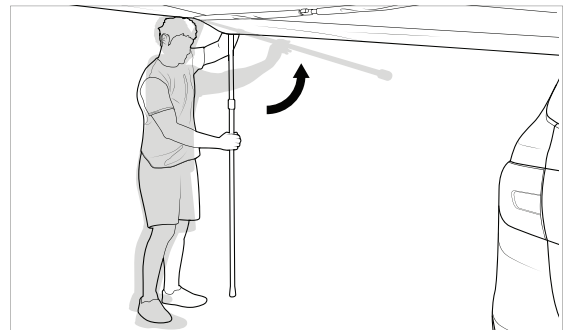
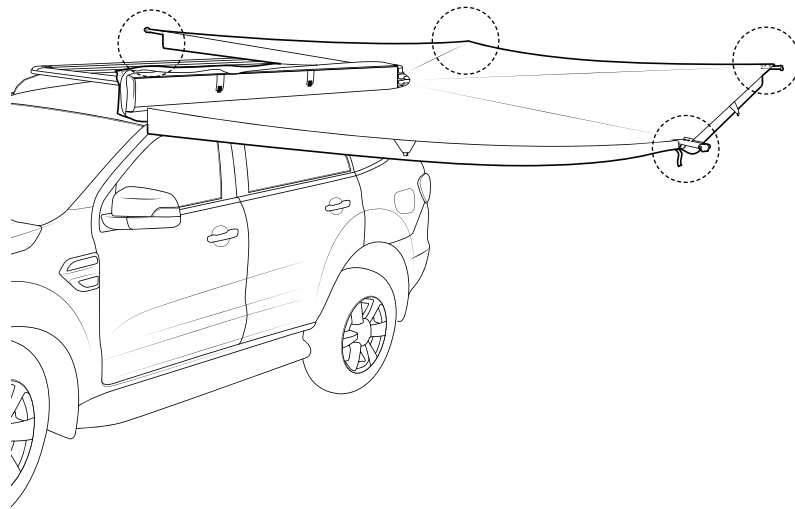
16

Drive the metal pegs into suitable ground on the outside of the supports. Hook the ropes to the awning, fixing it in place as shown.

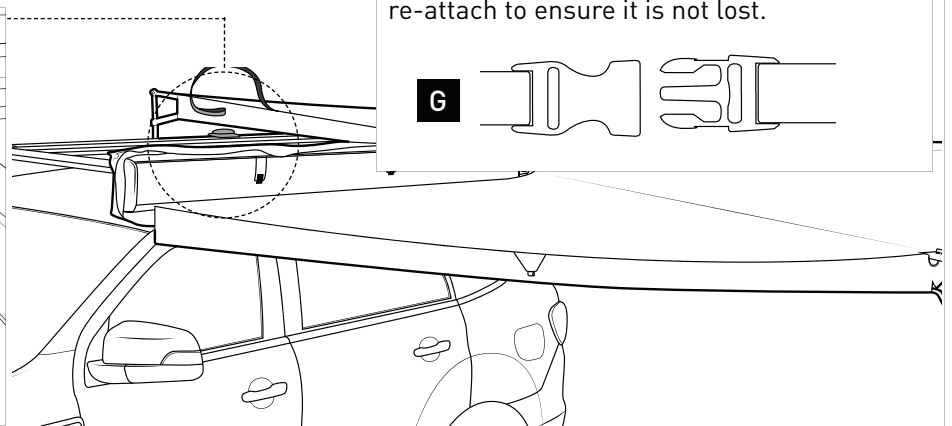
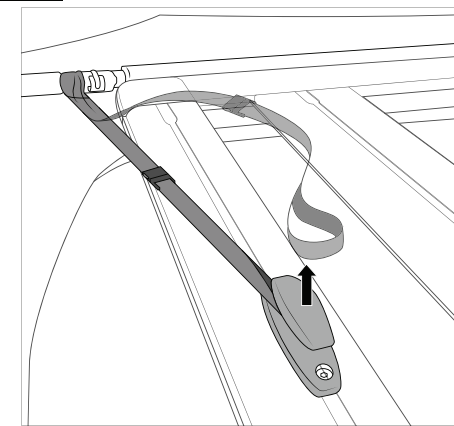


## Stowage Instructions

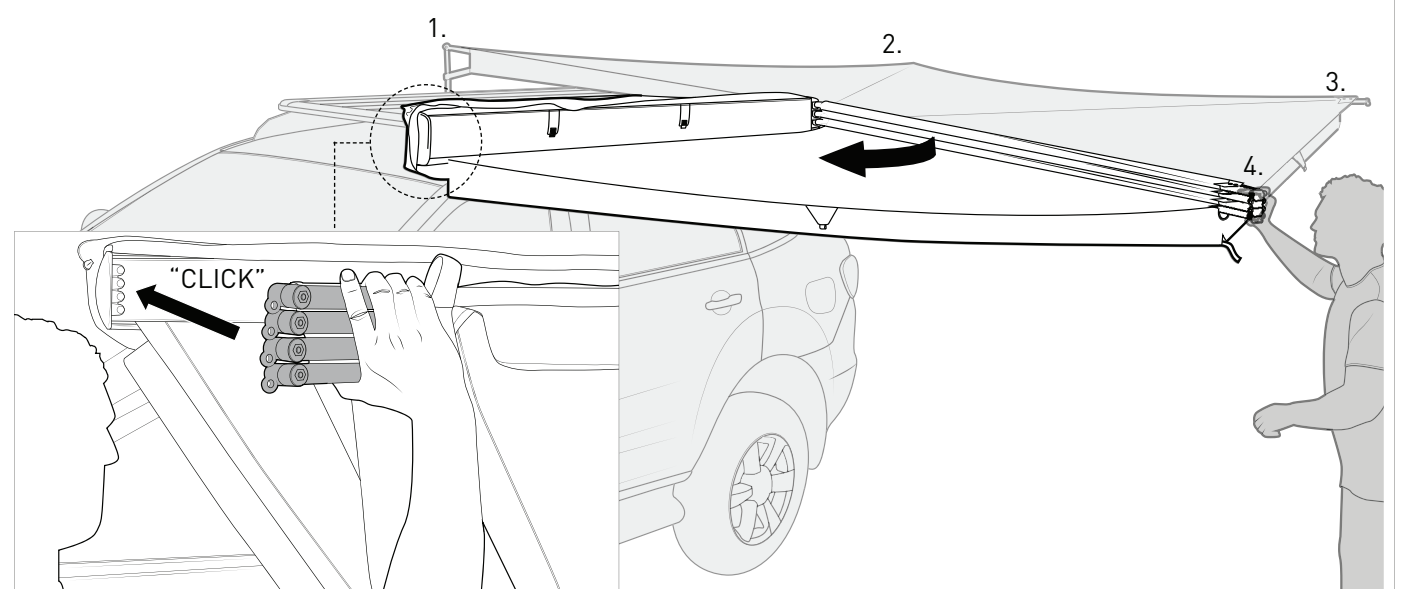
**17** Lift the support poles back up into their original position. Be sure they clip into place.



**18** Unclip the retention strap if required, then re-attach to ensure it is not lost.

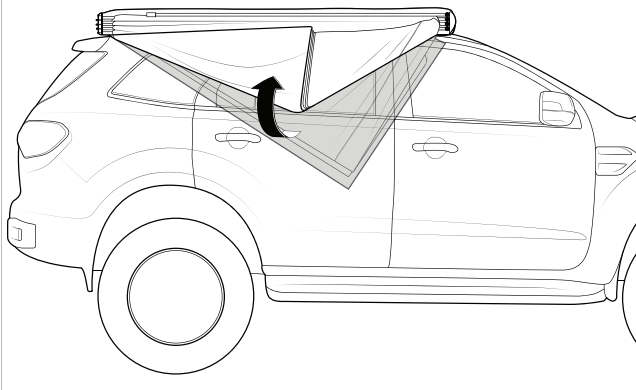


**19** Swing each arm back towards the body of the awning. As you move through positions 1 - 4, stack each arm on top of the one before it as shown. Place all 4 arms back onto the magnets at the same time.

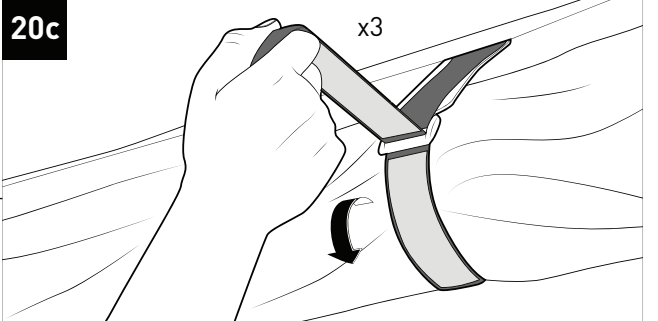
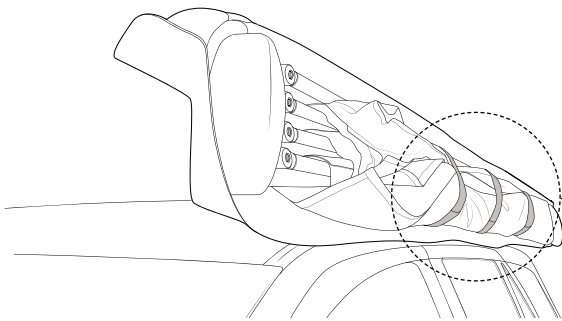
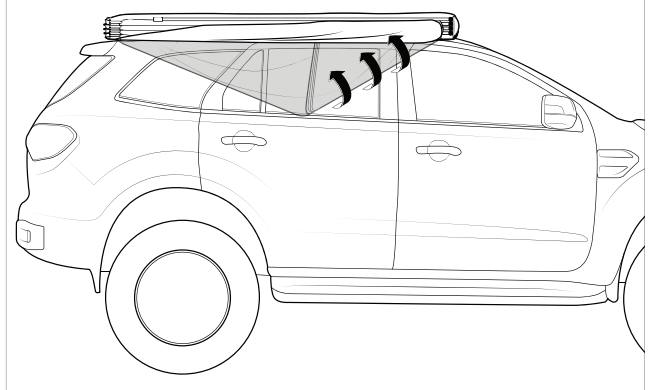


20

20a Fold the awning material in half.

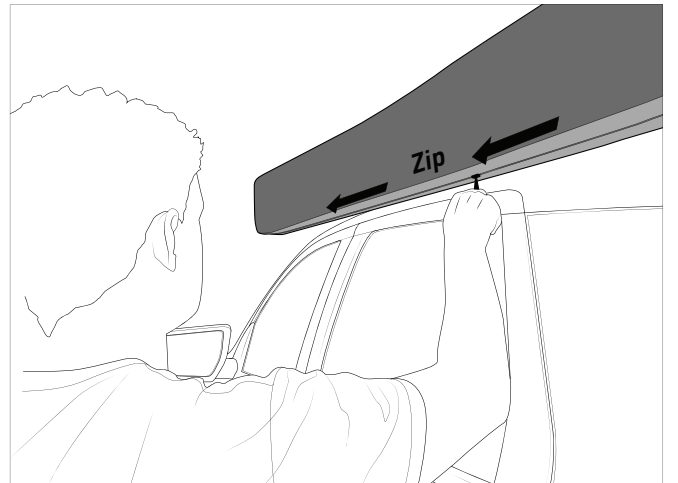
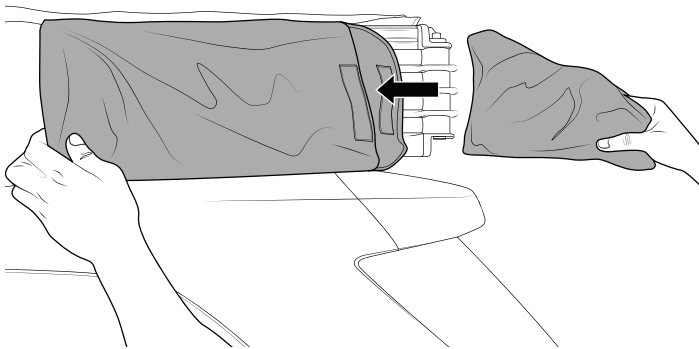


20b Roll the material from the front edge back up into its original setting.



21

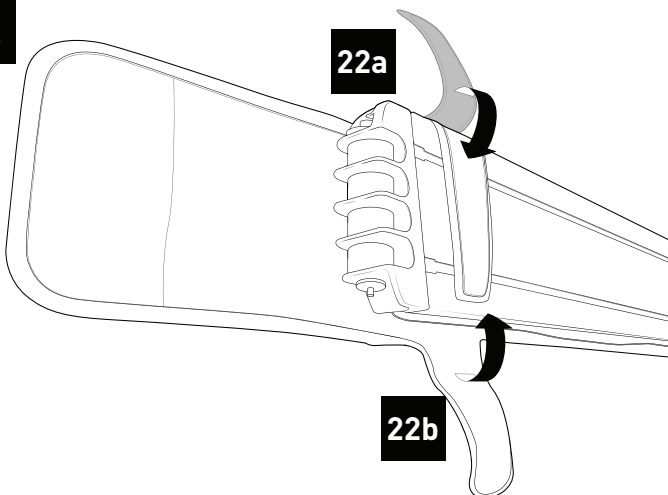
Replace the metal pegs and guy ropes to their original position. Zip the outer bag closed.



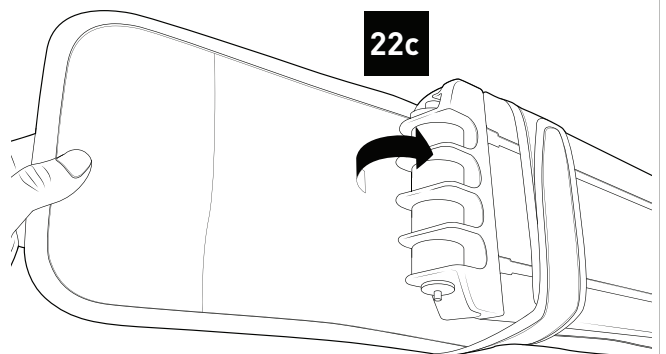
22

22a

22b

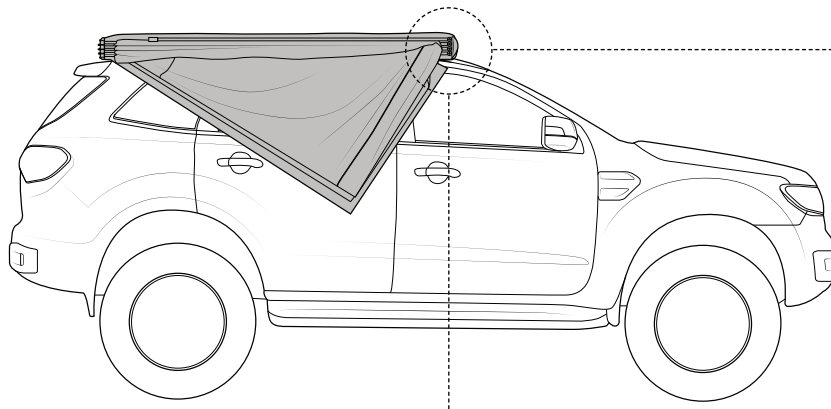


22c

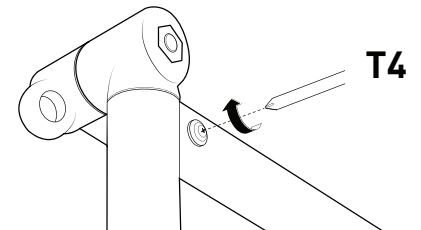


**Important Notes**

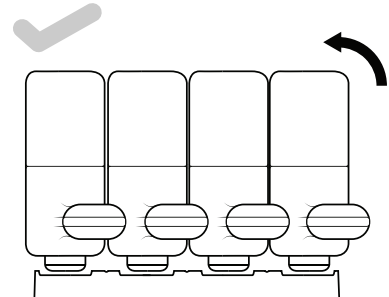
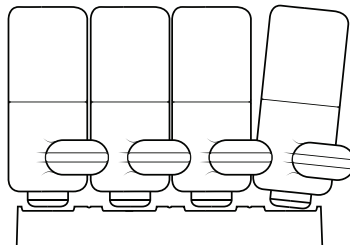
- 1** The support arms are designed to allow slight adjustment by the end user. When housed, if the arms are not sitting flush with end cap (fig A), adjust the rotation on the arm using a phillips head screw driver.



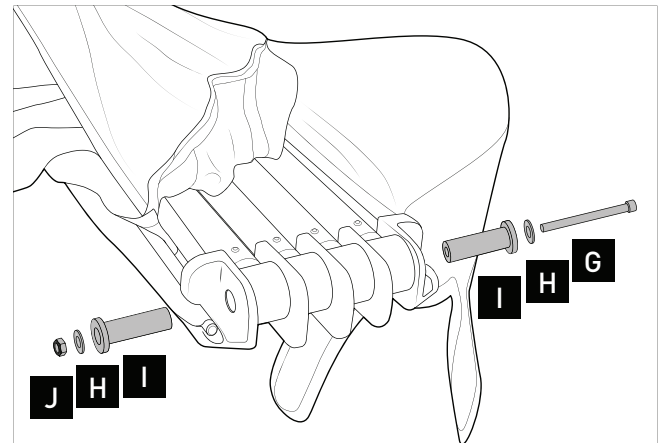
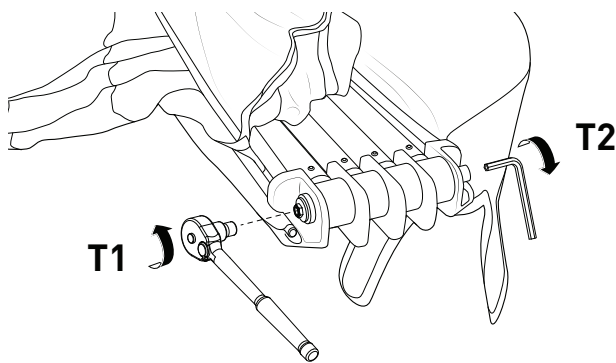
(fig B) Loosen the screw behind the drop down hinge, adjust the arm rotation and re-tighten the screw.



**X** (fig A) If the arm is off centre, the magnet in the end cap will not secure the arm in place properly.

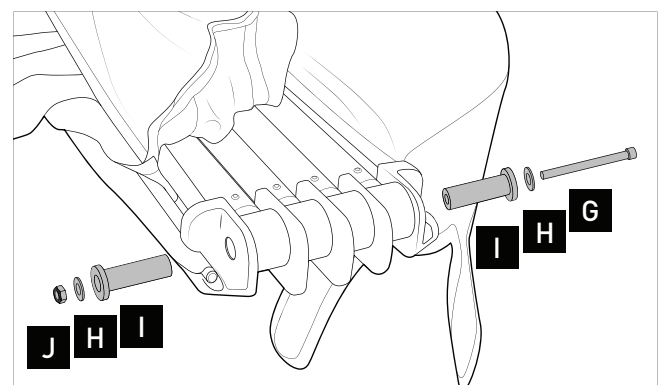
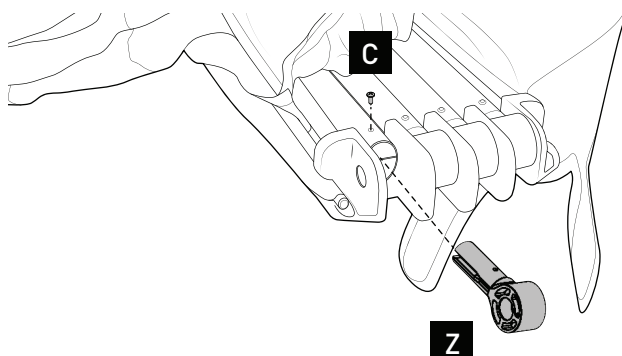


- 2a** Spar hinges can be replaced with the spares provided. Remove awning from vehicle. Use a 13mm spanner & a 6mm allen key to undo the casting assembly.



Remove the assembly pieces & store safely

- 2b** Using a phillips head screw driver, remove the screw holding the damaged hinge moulding in place. Replace with the spare hinge provided.

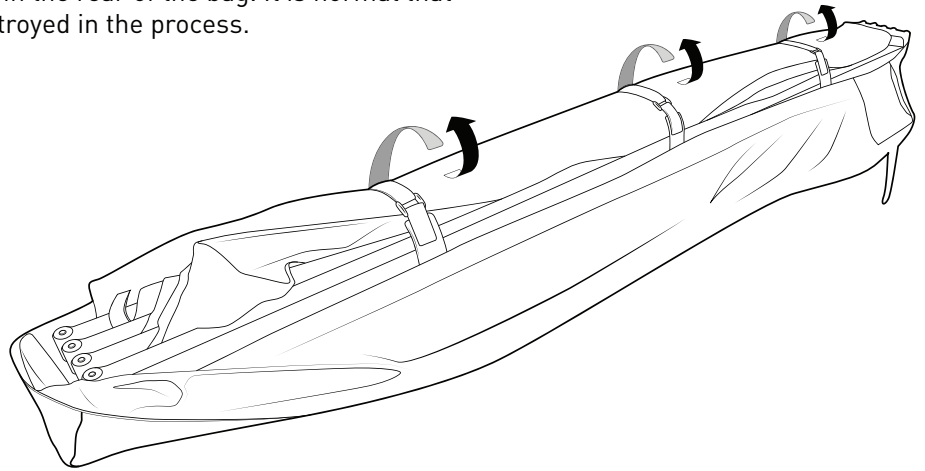
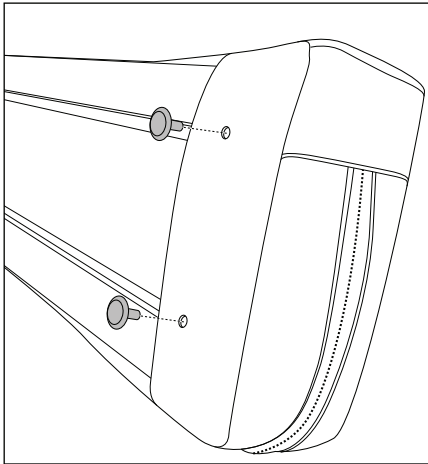


Replace the assembly pieces and tighten with a 13mm spanner and 6mm allen key.

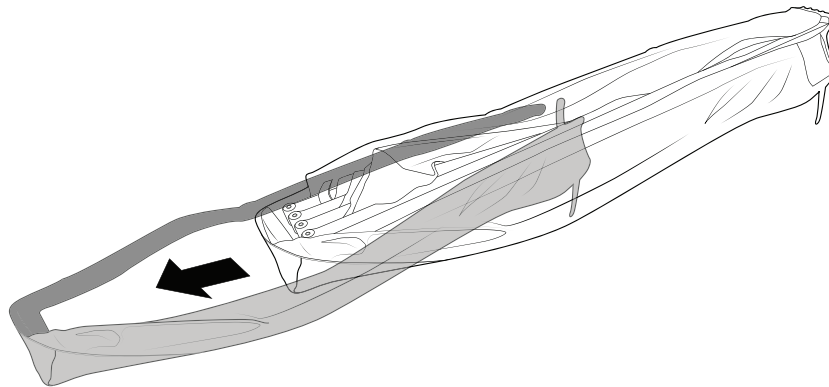
**3a**

To replace a damaged PVC bag:

- 1 - Unzip the bag and remove the velcro straps.
- 2 - Remove the plastic plugs in the rear of the bag. It is normal that these screws will be destroyed in the process.

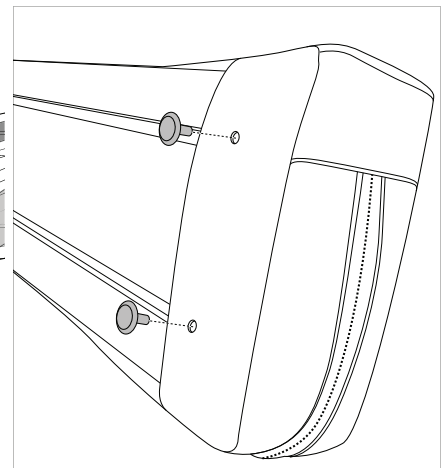
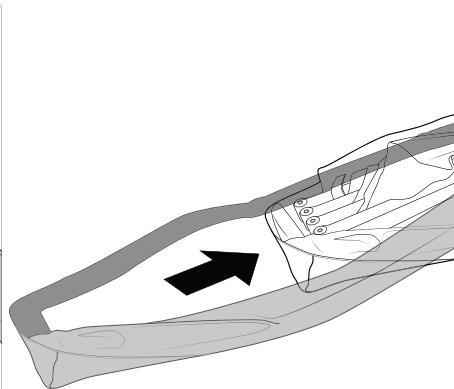
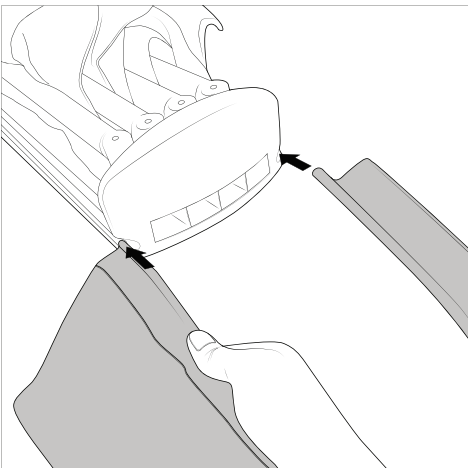


**3b**



**3c**

Slide the new bag in. Be sure correct orientation is used. The matte finish of the PVC bag faces the outside. Replace the plastic plugs with those provided in the new bag kit.



# Batwing Awning - 33100 LH 33200 RH



# RHINO-RACK®

Item	Batwing	Qty	Part No.
1	Batwing Main Extrusion	1	-
2	Batwing End Cap	1	M930
3	Batwing End Cap Magnet	4	CA1796
4	Phillips Screw	2	B176
5	Spar Hinge Casting	1	CA1797
6	Batwing Spar Hinge Pin	2	M938
7	M8 x 17mm Flat Washer	2	W020
8	M8 Nyloc Nut	1	N028
9	M8 x 150mm Axle Bolt s/s	1	C775
10	M6 x 20mm CSK Screw	2	B163
11*	Batwing Spar Support	4	SUB0758
<b>SUB0758 breakdown below (Note 4 per Batwing).</b>			
12*	Spar Hinge Attachment	1	CA1175
13*	Spar Extension	1	A955
14*	8G x 3/8 Self Tapping Screw	3	B200
15*	Pole Clip	1	M933
16*	Rivet Grip Range 1.6-6.3mm	2	H004
17*	Shoulder Bolt	1	B267
18*	Support Hinge (female)	1	M931
19*	Support Hinge (male)	1	M932
20*	M6 Nyloc Nut	1	N013
21*	Outer Support Pole	1	A956
22*	Inner Support Pole	1	A957
23*	Cam Housing	1	M522
24*	Cam Housing Ring	1	M523
25*	Support Pole Sleeve	1	M521
26*	Support Pole Foot	1	M520
27	Batwing Bag	1	LH - SP266 RH - SP267

Batwing Hardware Kit (CA1834).			
28	Allen Key	1	H001
29	M6 x 16mm CSK	2	-
30	Pioneer Pickup Moulding	1	SP202
31	M6 Channel Nut	2	N002
<b>Peg Bag</b>			
32	Metal Peg	10	C909
33	Guy Rope 'S' Hook	4	C911
34	Guy Rope	8	C910
<b>Bracket</b>			
35	Pioneer Awning Bracket	2	CA1816
36	M8 x 23mm T-bolt	4	C779
37	M8 x 17mm Flat Washer	4	W020
38	M8 Nyloc Nut	4	N028
39	M6 Spring Washer	4	W004
40	M6 x 16mm Flat Washer	4	W031
41	M6 x 20mm Hex Bolt	4	B082
42	Plate Nut	2	C838
<b>Spare Vertical Pole</b>			
43	Batwing Vertical Pole with Ends	4	SP299

Awning Spare Parts.			
44	Retention Strap	1	CA1871
45	Awning Material LH	1	SP268
46	Awning Material RH	1	SP269
47	Bag Plastic Screws	2	SP291

