

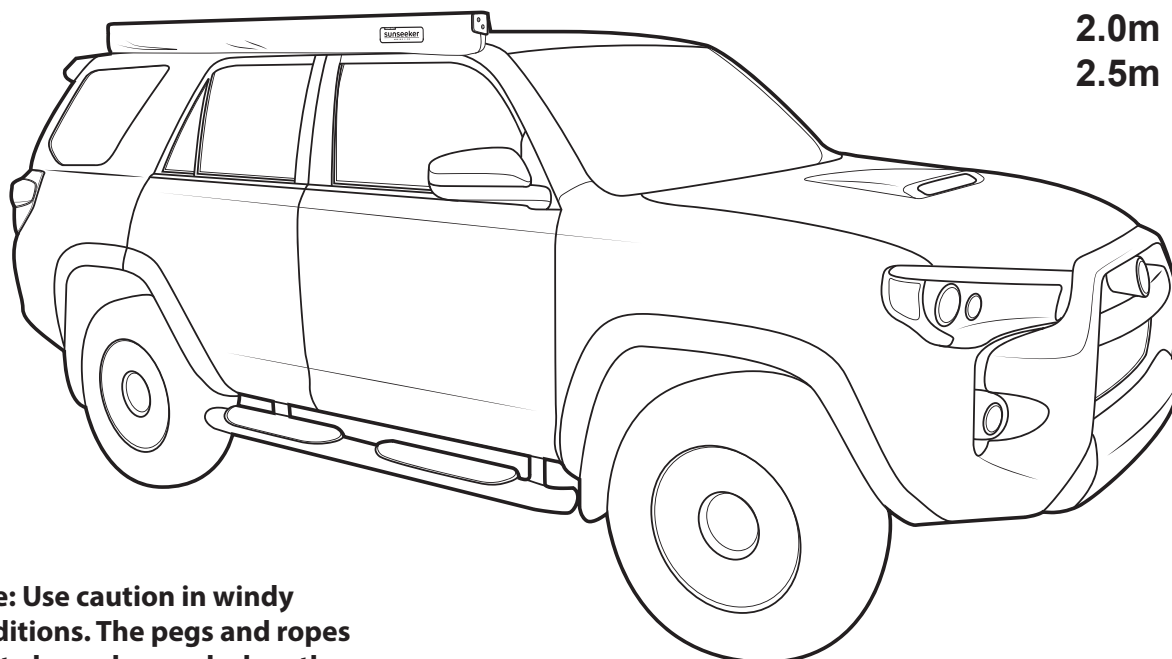


RHINO-RACK

Rhino-Rack SUNSEEKER Awning Black

- | | |
|--|--|
| 1. <input type="checkbox"/> Check Part No./Kit is correct | 3. <input type="checkbox"/> Fit roof rack accessory |
| 2. <input type="checkbox"/> Read through instruction before installing | 4. <input type="checkbox"/> Check and recheck all fasteners are secure |

Layout



2.0m - 32132

2.5m - 32133

Note: Use caution in windy conditions. The pegs and ropes must always be used when the Sunseeker awning is open.

Important Information

Recommendations

It is essential that all bolt connections be checked after driving a short distance when you first install your Rhino-Rack Sunseeker Awning. Bolt connections should be checked again at regular intervals depending on road conditions, usage, loads and distances travelled. You should also check the roof bars each time they are refitted. **Use only non-stretch fastening ropes or straps.**

Please remove Sunseeker Awning and crossbars when putting vehicle through an automatic car wash. Do not stow away the awning for long periods if it is wet. You must allow the awning material to dry completely before storing for extended periods of time. When rolling up the awning, avoid excessive bunching up of the material before stowing. The awning should be rolled up as neatly as possible.

Torque settings

Unless stated otherwise in these instructions, all fasteners should be set to the following torque settings - M6: 4-5Nm (3-4lbs/ft), M8: 8-10Nm (6-7.5lbs/ft) and M10: 16-18Nm (12-13lbs/ft).

Load Ratings

With the addition of the Sunseeker Awning, the load capacity of your crossbars will have to be adjusted accordingly. The Sunseeker Awning and 2 crossbars weigh approximately 15kg.

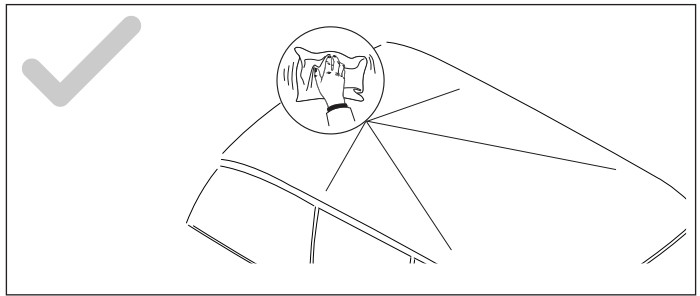
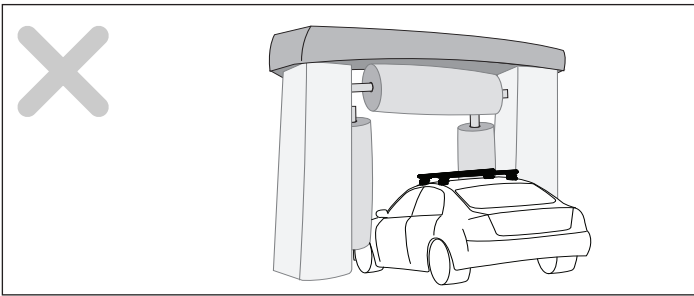
Note for Dealers and Fitters

It is your responsibility to ensure this fitting instruction is given to the end user or client

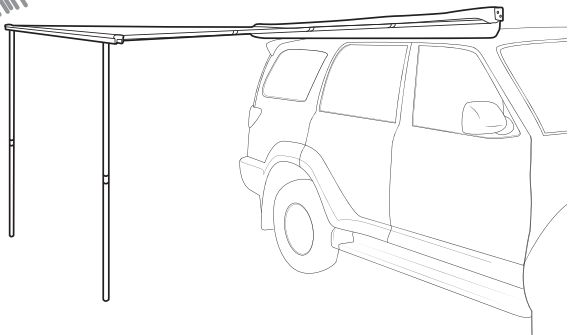
These instructions remain the property of Rhino-Rack Australia Pty Ltd and may not be used or changed for any other purpose than intended.



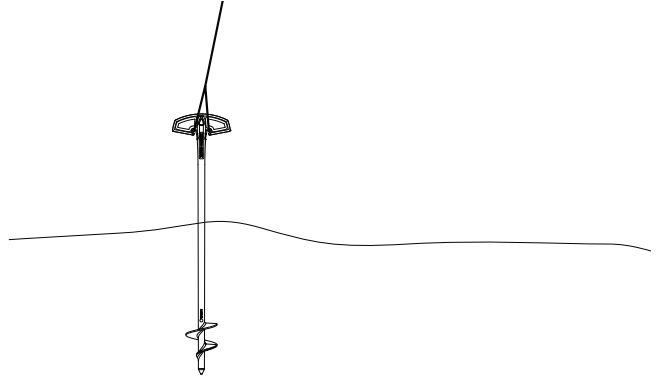
Rhino-Rack SUNSEEKER 3 Awning 2.5/ 2 metres (32133/ 32132)



If awning is wet, be sure to dry before you stow.



Always use sand screws (31113 , sold separately) when awning is open on beach or sand.



Always use guy ropes when awning is deployed.

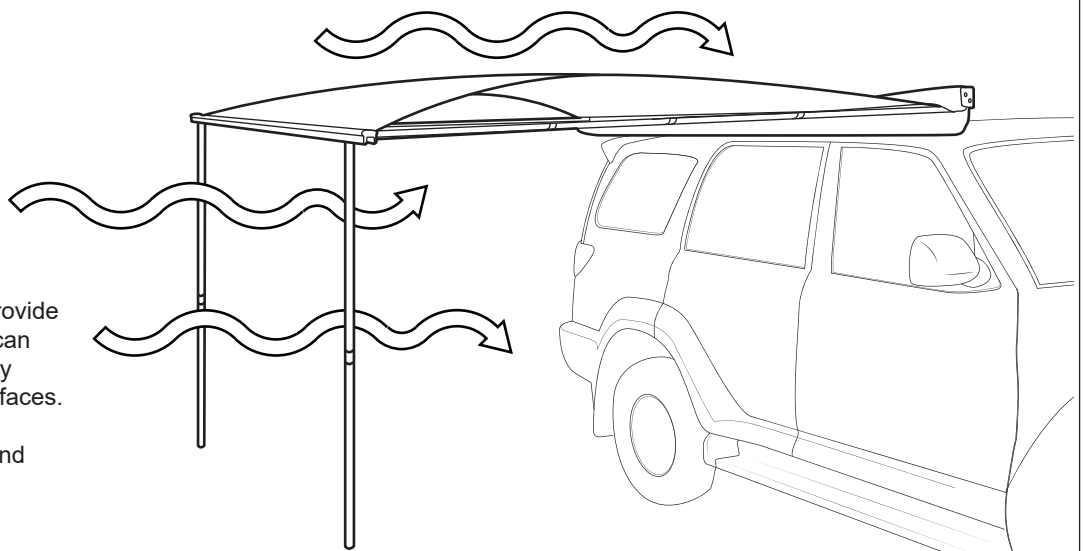


Do not use the awning as a means to hoist your body weight up or to the roof of the vehicle.



Be aware of the effects of wind on the open awning. It is advised that the awning be stowed away in strong winds. **Do not leave your awning unattended while open, weather conditions can change suddenly. Avoid setup in windy conditions.**

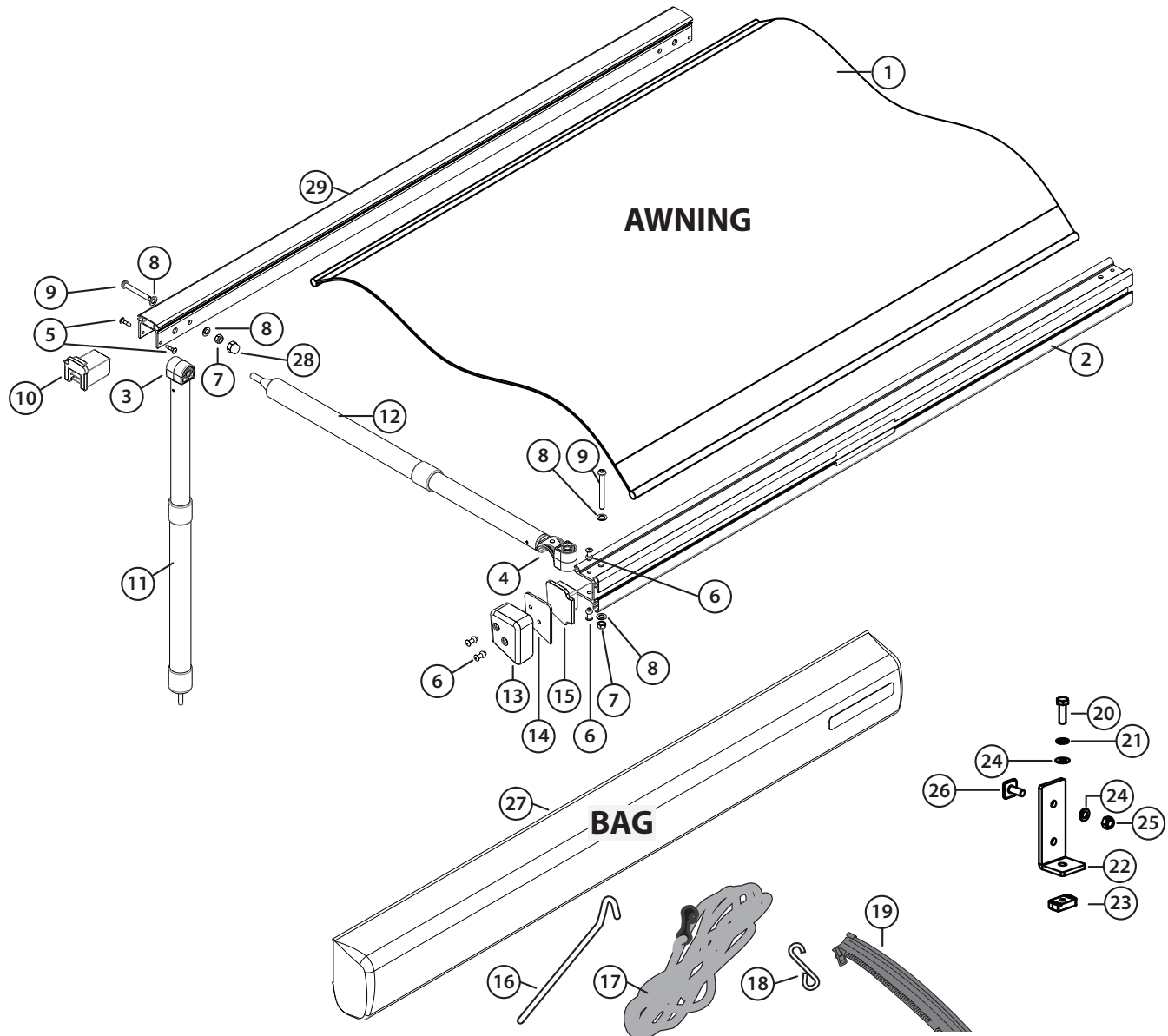
Warning: Shade does not provide 100% protection. Some UV can still reach you in the shade by reflecting off surrounding surfaces. Always combine shade with clothing, a hat, sunglasses and sunscreen.





Rhino-Rack SUNSEEKER 3 Awning 2.5/ 2 metres (32133/ 32132)

Parts List



Item	Components	Qty	32133 2.5m	32132 2m
1	Awning Material	1	SP262	SP261
2	Awning Extrusion	1	SP258	SP264
3	Front Pole Hinge	2	C881	C881
4	Support Hole Hinge	2	C882	C882
5	01661-00516 Rivet	4	H023	H023
6	01661-00619 Rivet	8	H008	H008
7	M6 Nyloc Nut	4	N013	N013
8	M6 Flat Washer	8	W004	W004
9	M6 Dome Socket	4	B038	B038
10	Front End Cap	2	C913	C913
11	Front Pole	2	SP255	SP295
12	Support Pole	2	SP256	SP284
13	Support End Cap	2	C916	C916
14	Support End Gasket	2	C917	C917
15	Fixed End Cap	2	C918	C918
16	Metal Peg	2	C909	C909

17	Guy Rope	2	C910	C910
18	S Hook	2	C911	C911
19	Awning Extension Adaptor	1	32106	32113
20	M8 x 25mm Hex Bolt	2	B101	B101
21	M8 Spring Washer	2	W019	W019
22	Crossbar Bracket	2	C640	C640
23	M8 Channel Nut	2	N003	N003
24	M8 x 17mm Flat Washer	4	W020	W020
25	M8 Nyloc Nut	4	N028	N028
26	M8 T-Bolt	4	B222	B222
27	Awning Bag	1	SP259	SP260
28	Plastic Nyloc Cap	2	-	-
29	Front Extrusion	1	SP257	SP263

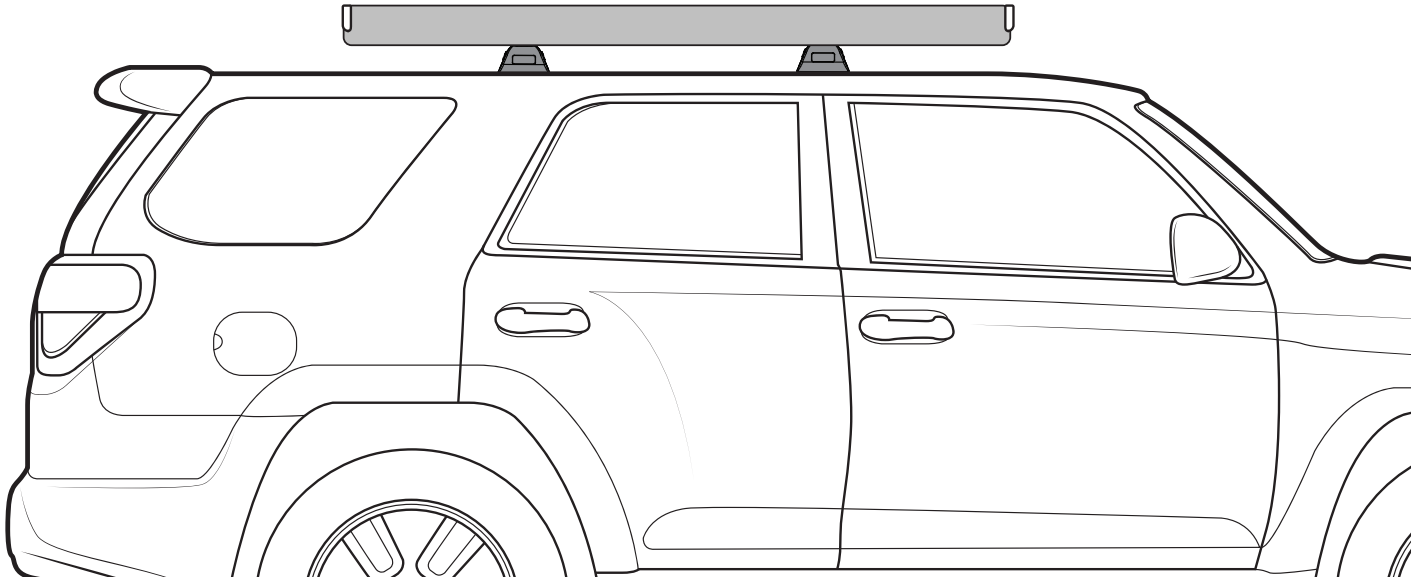
Care Instructions: Be sure awning is dry and clean before storing. Always use guy ropes to secure awning in place.
Tools required: 1 - Tape measure. 2 - 13mm (1/2") socket wrench. 3 - Knife.



Rhino-Rack SUNSEEKER 3 Awning 2.5/ 2 metres (32133/ 32132)

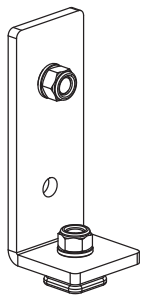
Crossbar Spacing

Position the awning so that it has close to equal overhang. Having excessive overhang over the front or rear crossbar may lead to damage of vehicle or awning.



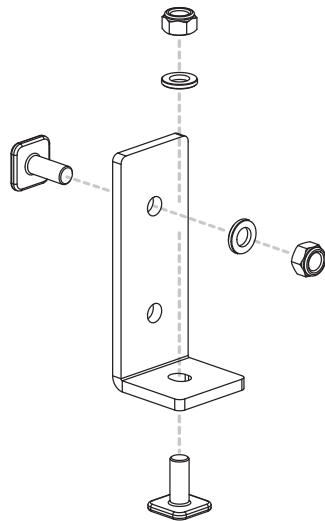
Installation

1A Vortex fitment, Pioneer.

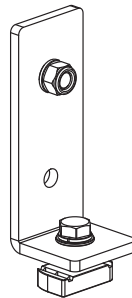


ASSEMBLED VIEW

Do not tighten bolts fully at this point.

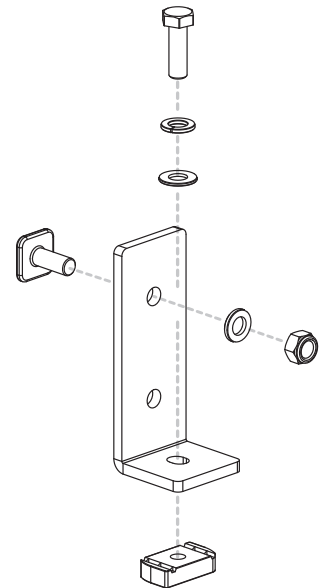


1B Heavy duty fitment.



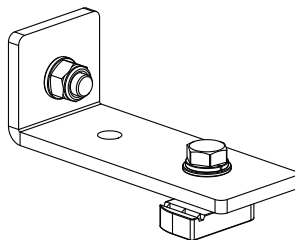
ASSEMBLED VIEW

Do not tighten nut and bolt fully at this point.

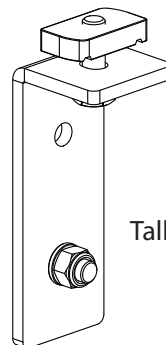


Alternate Configurations

Pioneer.



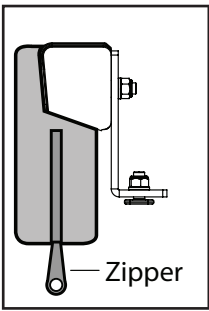
Tall vehicles



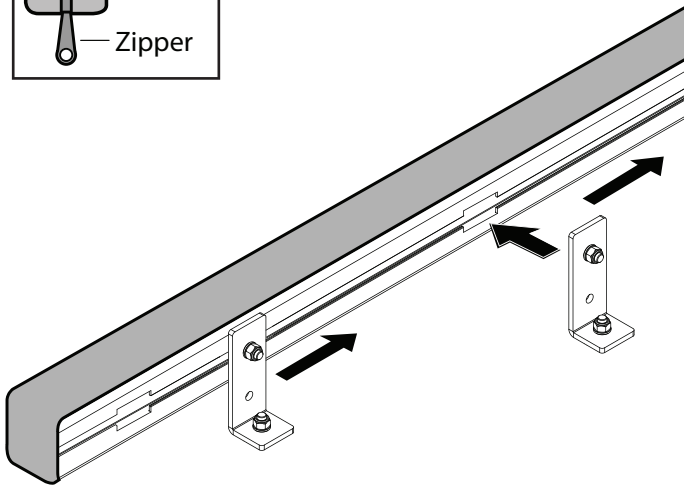


Rhino-Rack SUNSEEKER 3 Awning 2.5/ 2 metres (32133/ 32132)

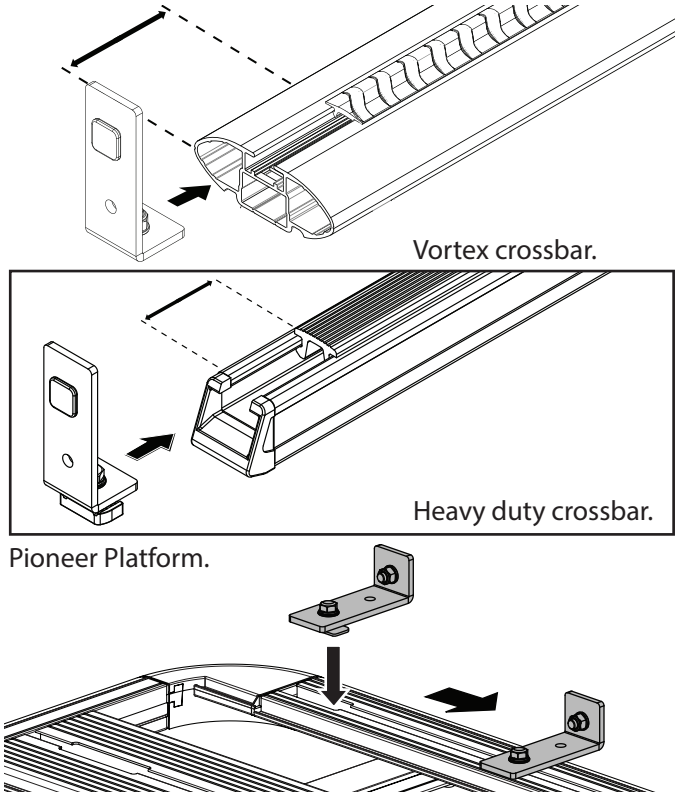
2 Insert the crossbar bracket assemblies into the channel of the awning.



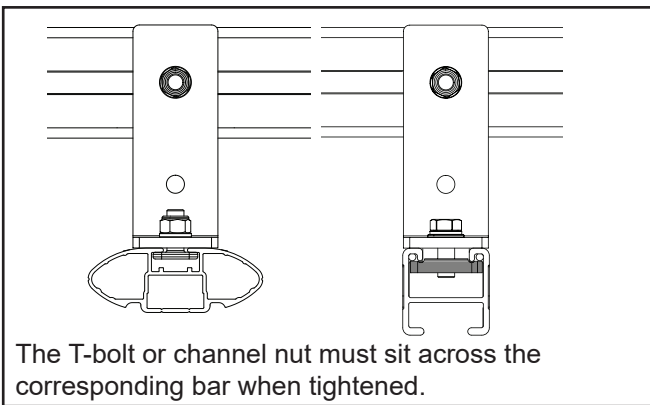
Note: Vortex setup shown. Heavy duty setup will follow similar steps.



3 Insert the Awning into the crossbar. Cut the rubber buffer strip to length. Slide into outer of Pioneer.

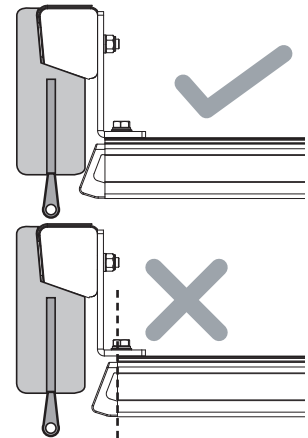


4 Adjust the location of the crossbar bracket assembly to suit the crossbar distance on your vehicle.



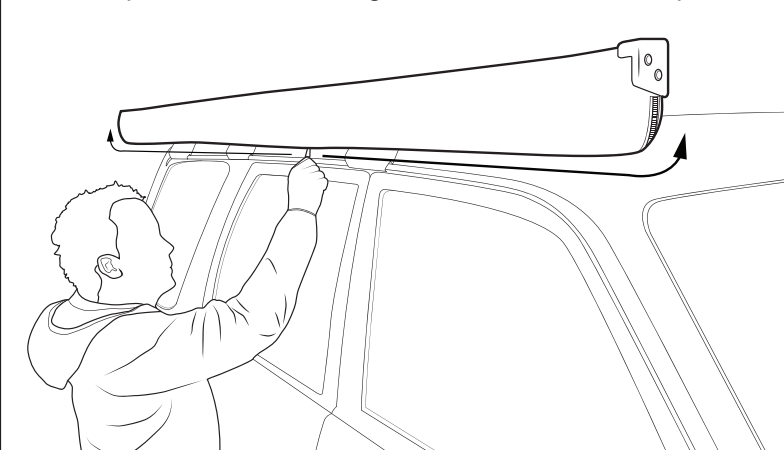
The T-bolt or channel nut must sit across the corresponding bar when tightened.

Ensure that the bracket is completely positioned over the crossbar or pioneer tray. In some instances, crossbar end caps should be removed.

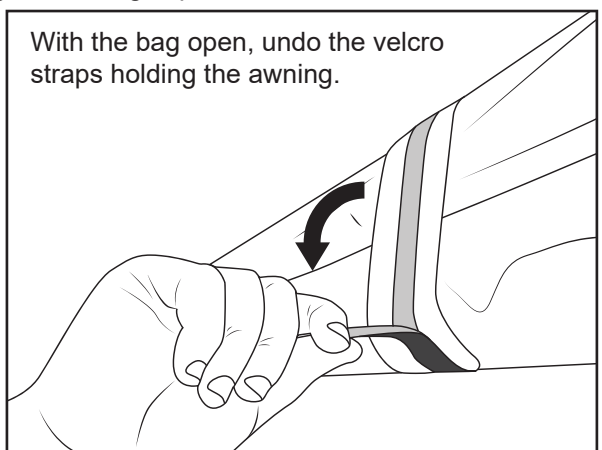


Operation

1 Unzip the installed awning and undo the velcro straps holding the awning in place.



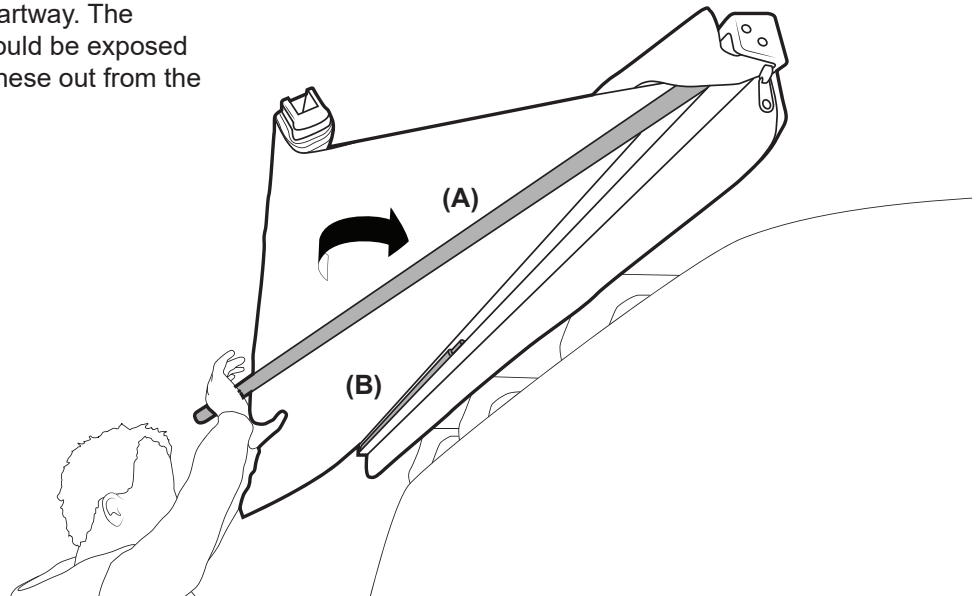
With the bag open, undo the velcro straps holding the awning.



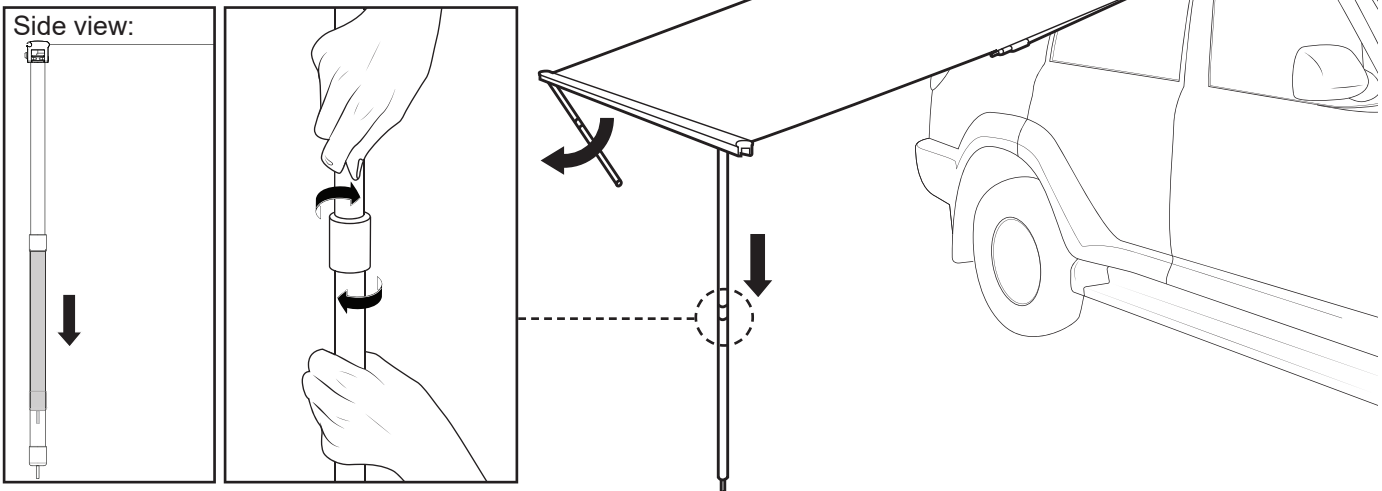


Rhino-Rack SUNSEEKER 3 Awning 2.5/ 2 metres (32133/ 32132)

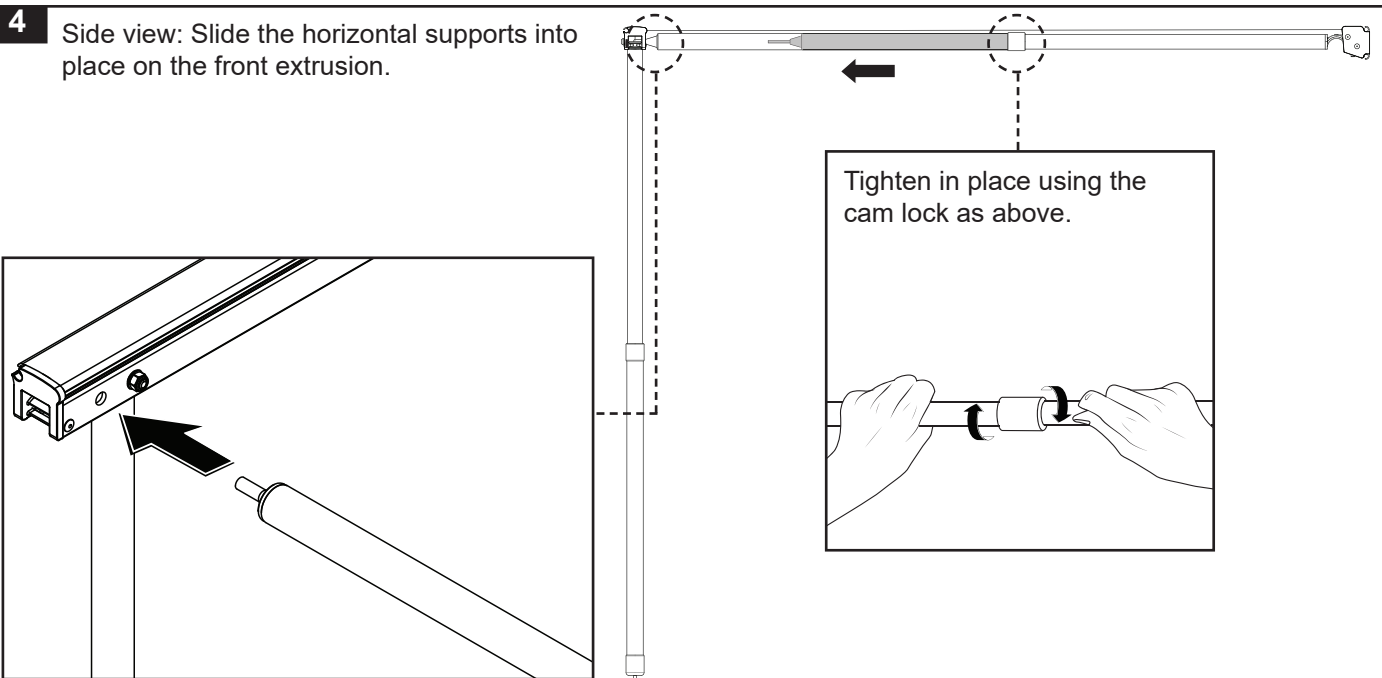
- 2** Carefully unroll the awning partway. The horizontal supports **(A,B)** should be exposed at this point. Rotate both of these out from the body of the awning.



- 3** With the awning extended, drop down the vertical supports. Extend them to the approximate length and tighten in place using the cam as shown.



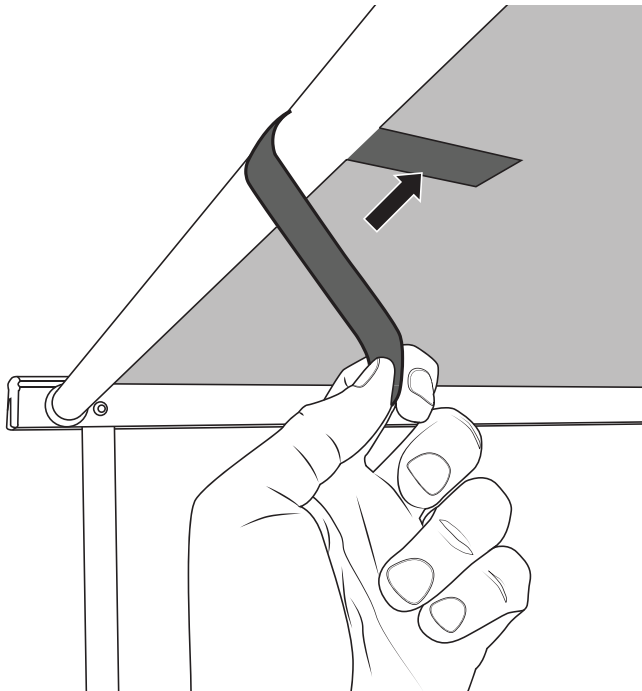
- 4** Side view: Slide the horizontal supports into place on the front extrusion.



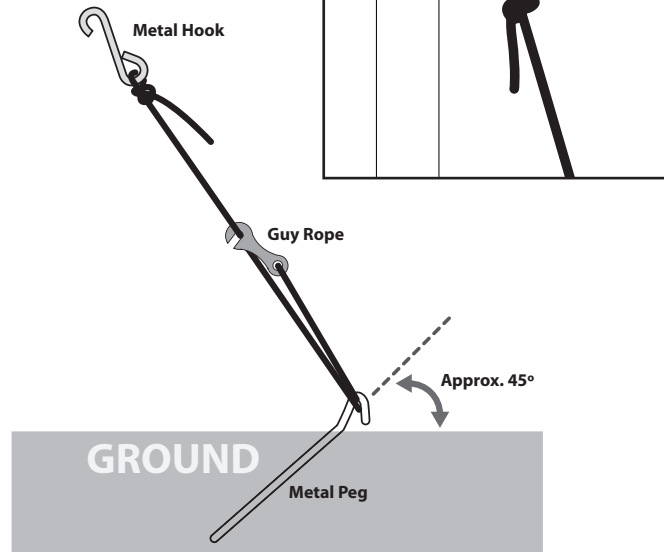


Rhino-Rack SUNSEEKER 3 Awning 2.5/ 2 metres (32133/ 32132)

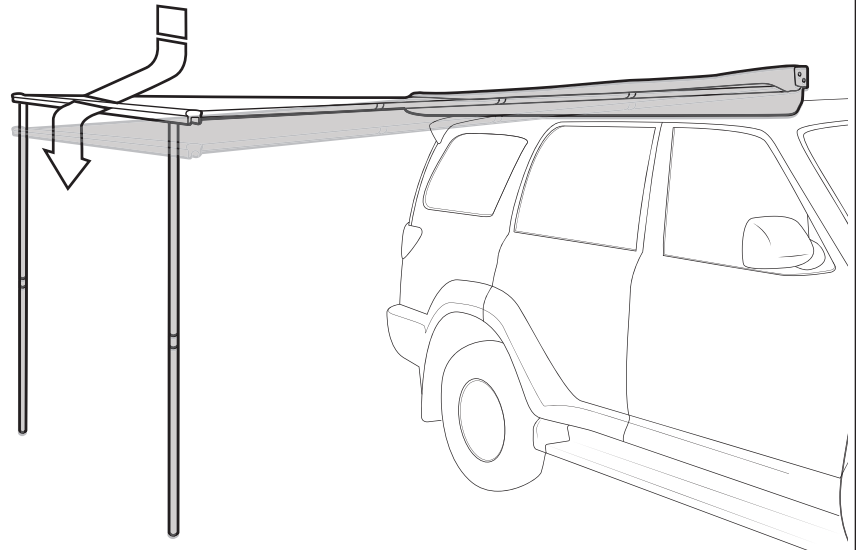
- 5** Attach the awning material to the horizontal supports with the velcro straps as shown (3 per side).



- 6** Drive the metal peg into suitable ground on either side of the awning. Tie off the awning to the metal pegs as shown, fixing the awning in place.

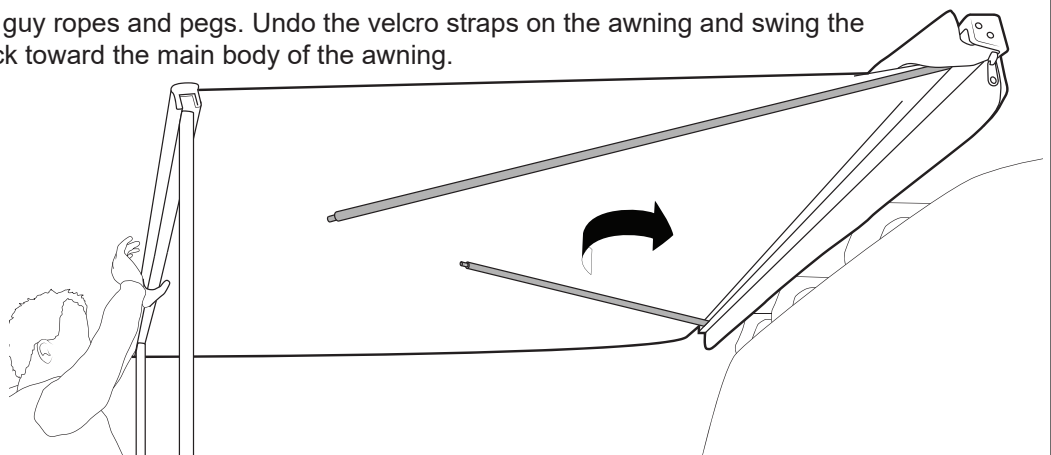
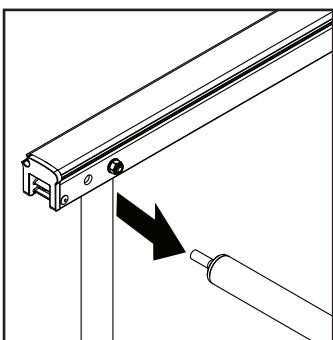


- 7** In rainy conditions, lower the front end of the awning to minimise water pooling in the middle of the fabric.



Stowage

- 1** Undo the metal hooks, guy ropes and pegs. Undo the velcro straps on the awning and swing the horizontal supports back toward the main body of the awning.

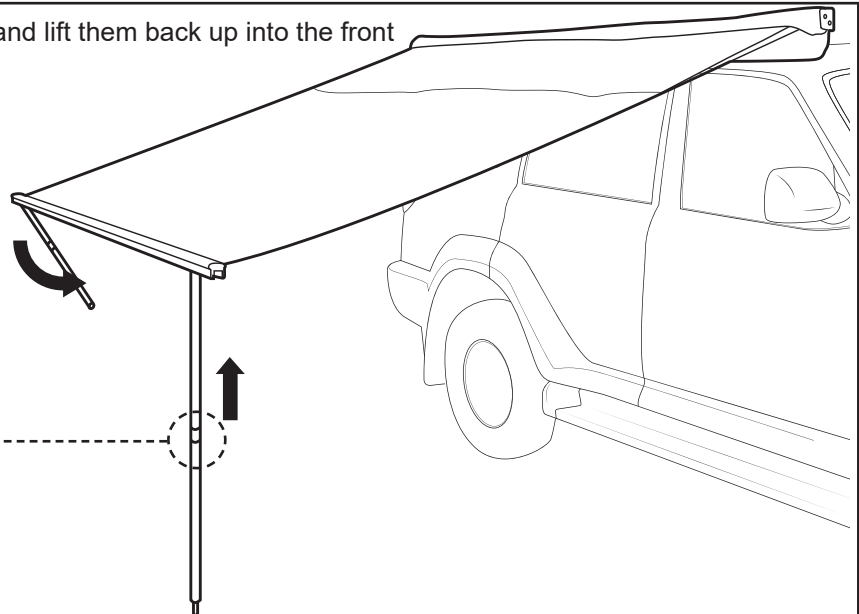
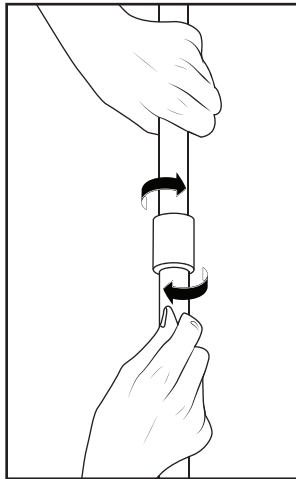
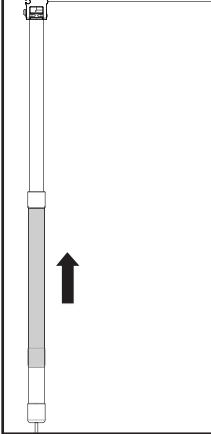




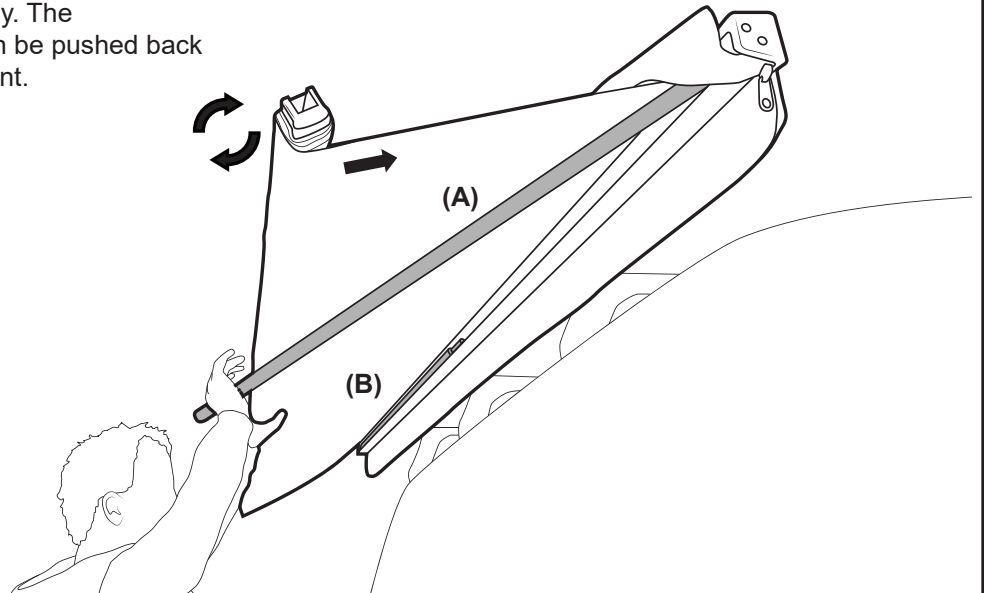
Rhino-Rack SUNSEEKER 3 Awning 2.5/ 2 metres (32133/ 32132)

- 2** Undo the cam on the vertical supports and lift them back up into the front extrusion of the awning.

Side view:



- 3** Carefully roll the awning away. The horizontal supports (A,B) can be pushed back into the main body at this point.



- 4** With awning rolled back up in place, re-attach the velcro straps. Zip the back up to complete stowage. The metal pegs and guy ropes should be stowed in the vehicle.

