



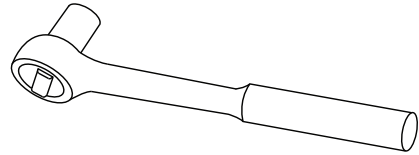
RHINO-RACK

Sunseeker Awning RSP/RS/SG Bracket (32123)

Place these instructions in the vehicle's glove box after installation is complete.

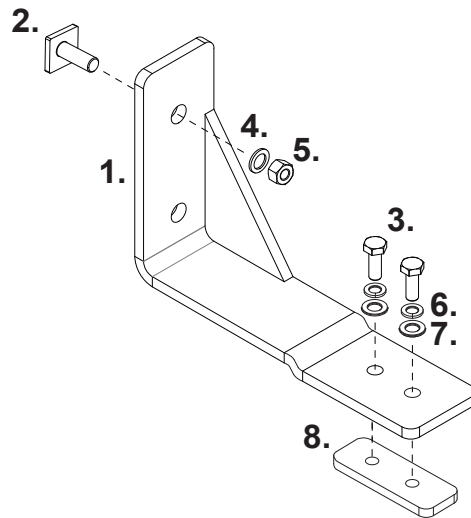
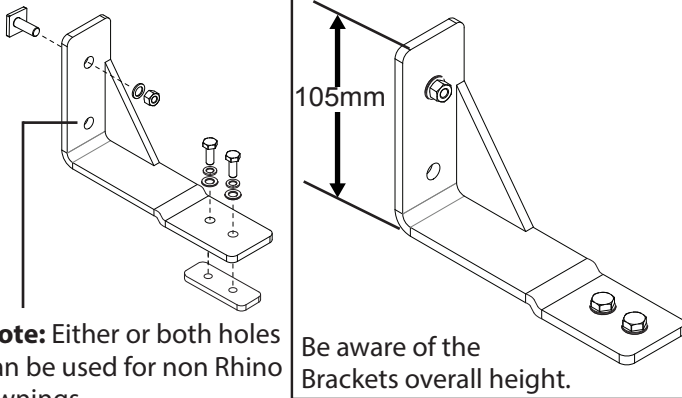
Item	Component Name	Qty	Part No.
1	Sunseeker Awning Bracket	2	CA1415
2	M8 T-Bolt	2	B018
3	M6 Hex Bolt	4	B168
4	M8 Flat Washer	2	W020
5	M8 Nyloc Nut	2	N028
6	M6 Spring Washer	4	W004
7	M6 Flat Washer	4	W003
8	Plate Nut	2	C838
9	Fitting Instruction	1	R696

Tools Required:
10mm + 13mm Socket Wrench

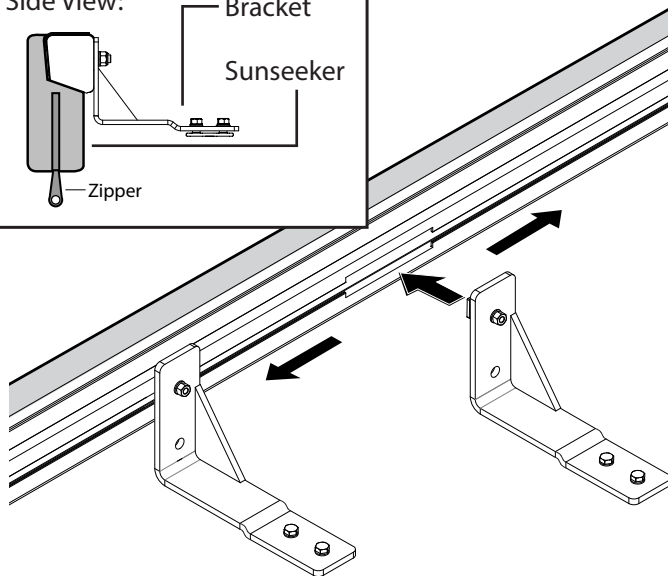
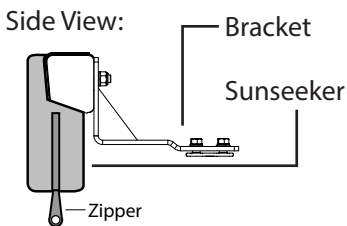


Instructions

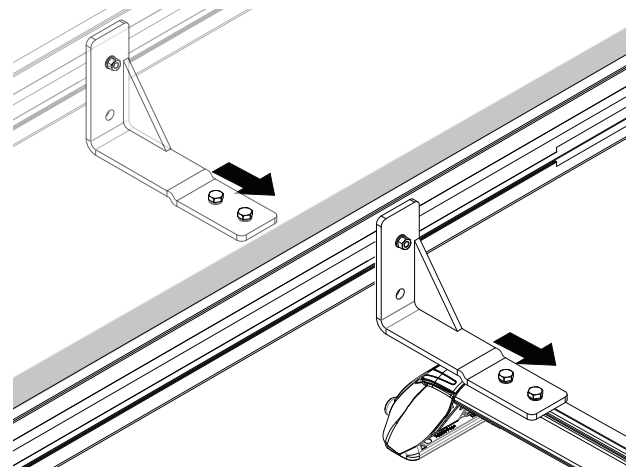
1 Install hardware as shown. Finger tighten.



2 Insert the bracket assemblies into the Sunseeker as shown.



3 Slide the brackets into the C channel of the crossbar using the installed Plate Nuts. Tighten with a 13mm socket wrench. Check all fixtures are secure before driving.



Discover other truck and SUV tents on our website.