

RHINO-RACK

Rhino Double Zipper for Tag a Long Tent and Tent Fly Extension (32116)

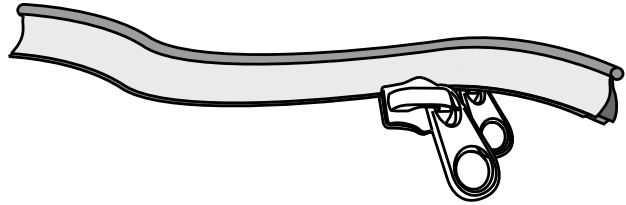
Important: Please read these instructions carefully prior to installation.
 Check the contents of kit before commencing fitment and report any discrepancies.
 Place these instructions in the vehicle's glove box after installation is complete.

Parts List

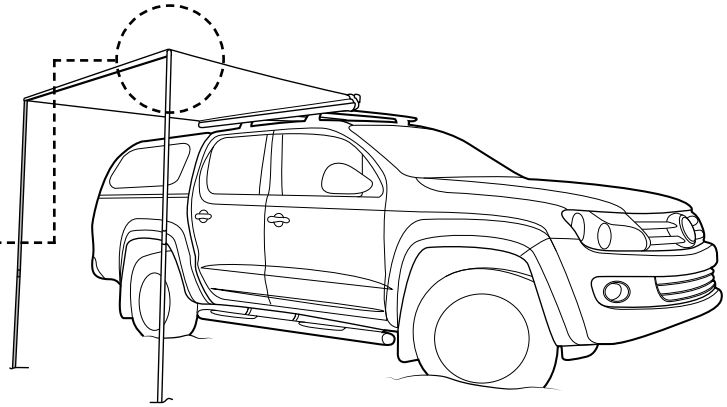
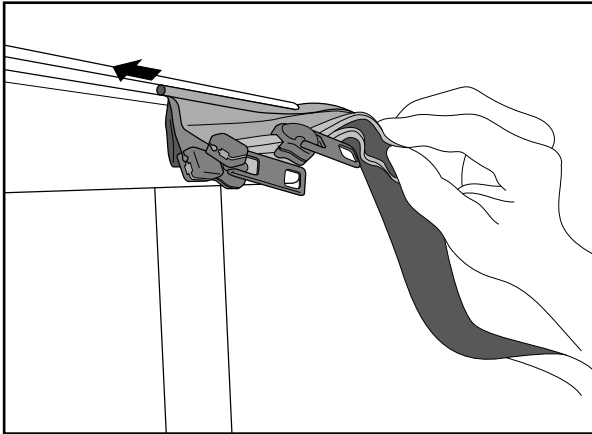
Item	Component Name	Qty	Part
1	Double Zipper	1	32116
2	Fitting Instruction	1	R588

Note:
 32116 Double Zipper is intended for use with the Tag-A-Long Tent and the Fly Extension (32117).

1.

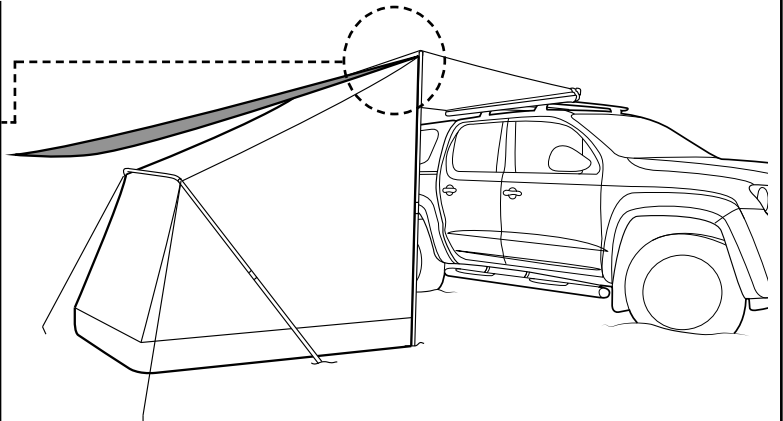
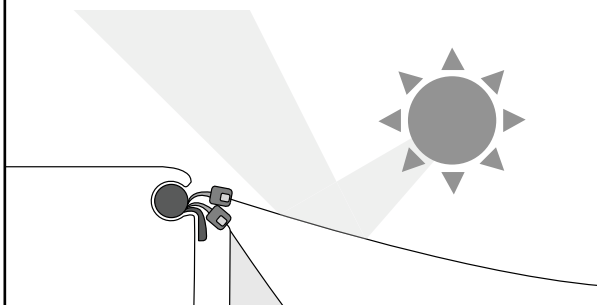


1 Install the Double Zipper insert into the Sunseeker Awning as shown.



2 Attach the Fly Extension first to the Sunseeker using the Dual Zipper Insert. The fold over the Sunseeker while attaching the Tag-A-Long second.

Attach the Sunseeker Fly Extension to the **top** Zipper and the Tag-A-Long Tent to the **Bottom** on the Dual Zipper Insert. Be sure Extension Fly is installed reflective side up.



Please remove Sunseeker Awning and crossbars when putting vehicle through an automatic car wash.
 Note for Dealers and Fitters