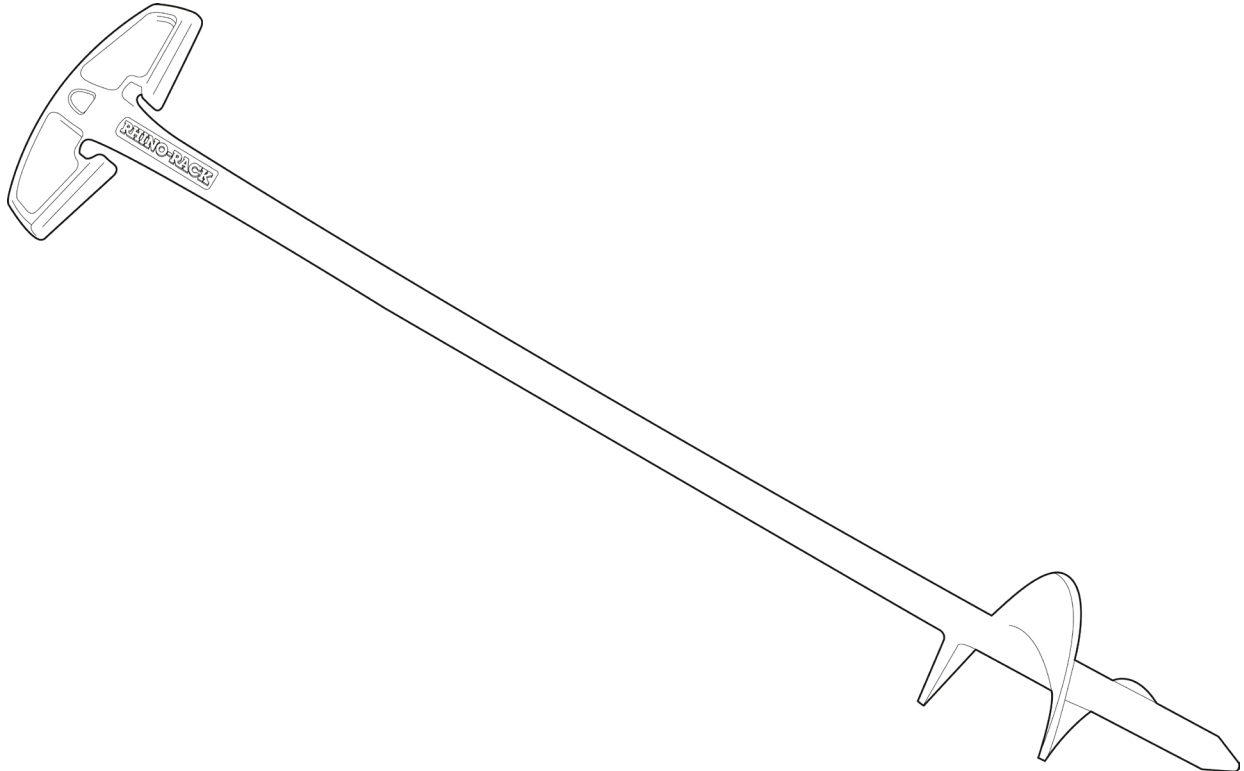




RHINO-RACK

Rhino-Rack Sand Screw (31113)

Important: Please read these instructions carefully prior to use.
Check the contents of kit before commencing fitment and report any discrepancies.
Place these instructions in the storage box for future reference.



Important Information

The Sand Screw is primarily intended to be used in wet and dry beach or river sand however it may also be useful in soft or lightly packed ground. There are many uses for this product including attaching guy ropes from a sun shade or securing a portable camping canopy.

Item	Component Name	Qty
1	Sand Screw	2
2	Usage Instructions	1
3	Storage Box	1

Features:-

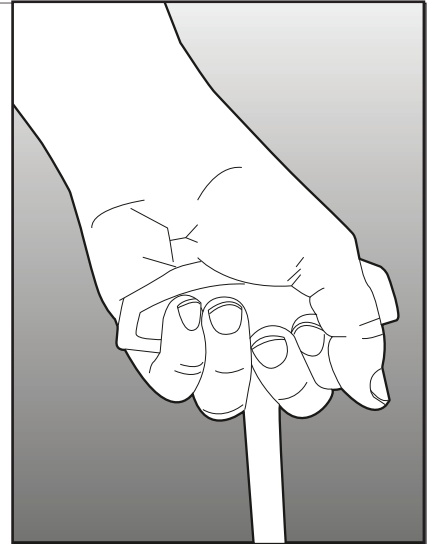
- Ergonomic handle designed to be comfortable and efficient in screwing the product into the sand.
- Unlike conventional pegs that require a lot of effort to remove, the Sand Screw will easily unscrew.
- Made from an extremely tough and durable Engineering Plastic
- When not in use, store and protect the Sand Screws in original box.
- Weight: 160grams
- Length: 513mm
- Colour: Black

Recommended rope diameter: Up to 6mm

Use only non-stretch fastening ropes or straps.

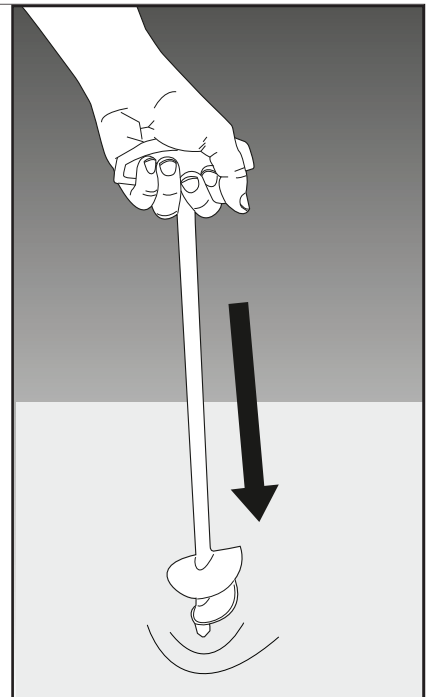
1 Grasp the Sand Screw

The Sand Screw is designed to be used with a firm single handed grip.



2 Getting started

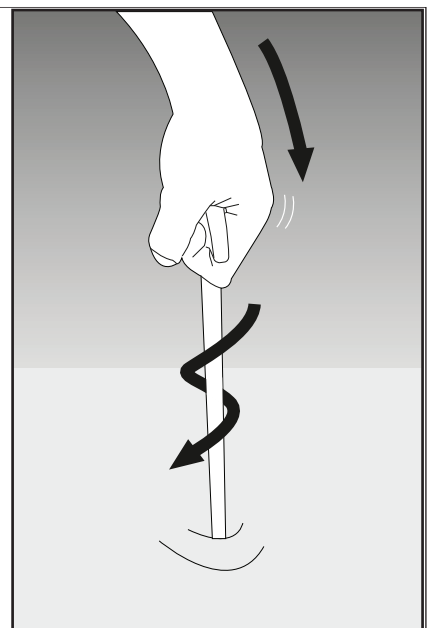
Push the end of the sand screw into the sand or soil as far as it will go without turning it to establish a starting position. It will work best if you penetrate the dry soft sand/soil firstly before you start to screw it in.



3 Screw into the ground

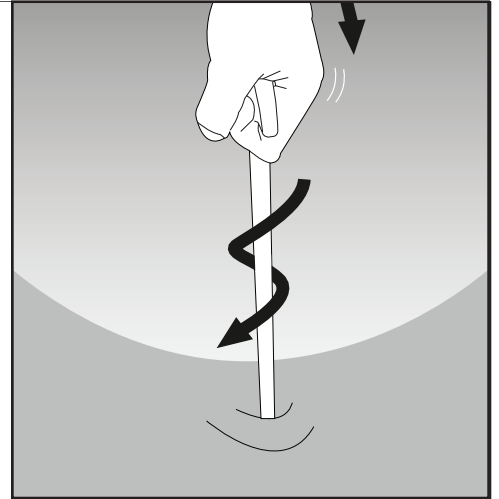
The Sand Screw will screw into the ground in a clockwise direction only.

Apply firm downward pressure at the same time to drive the screw deep into the earth.



4 Soft Sand Advice

If the sand is particularly soft and dry and getting the Sand Screw started is proving challenging, we recommend you dig away the top layer of sand and start lower in the harder packed layer.

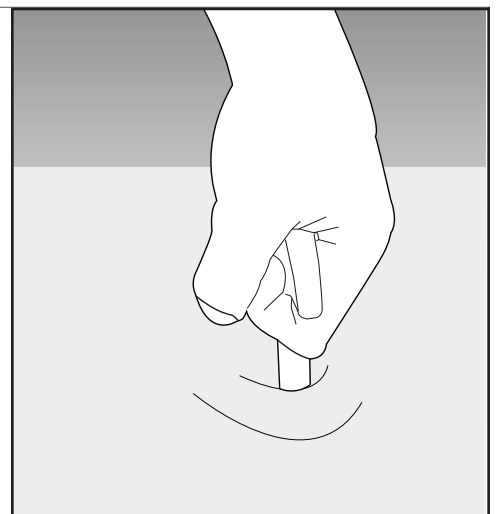


5 Recommended finished depth

For best results, insert as far as possible.

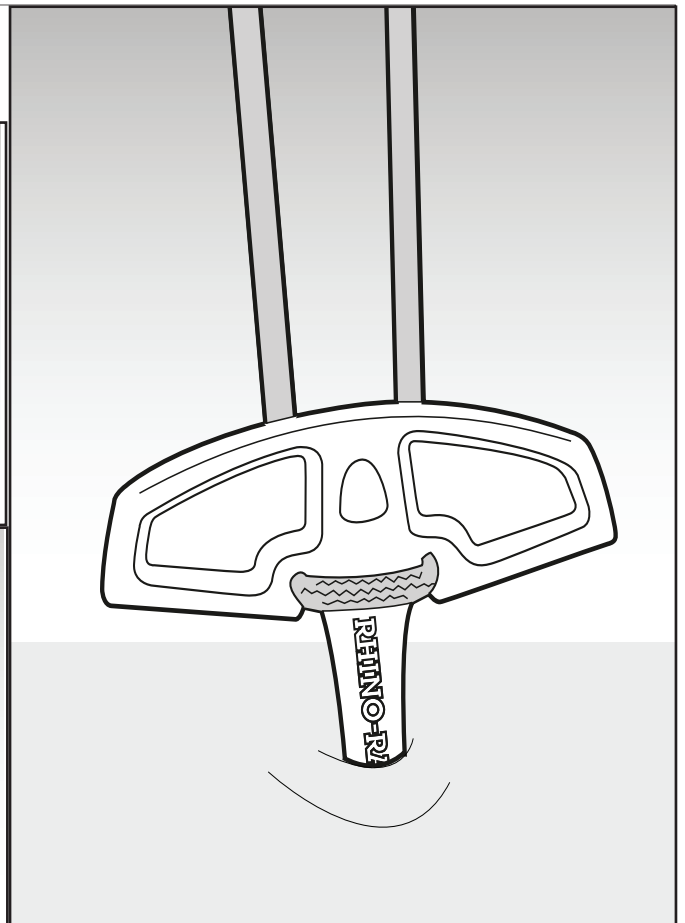
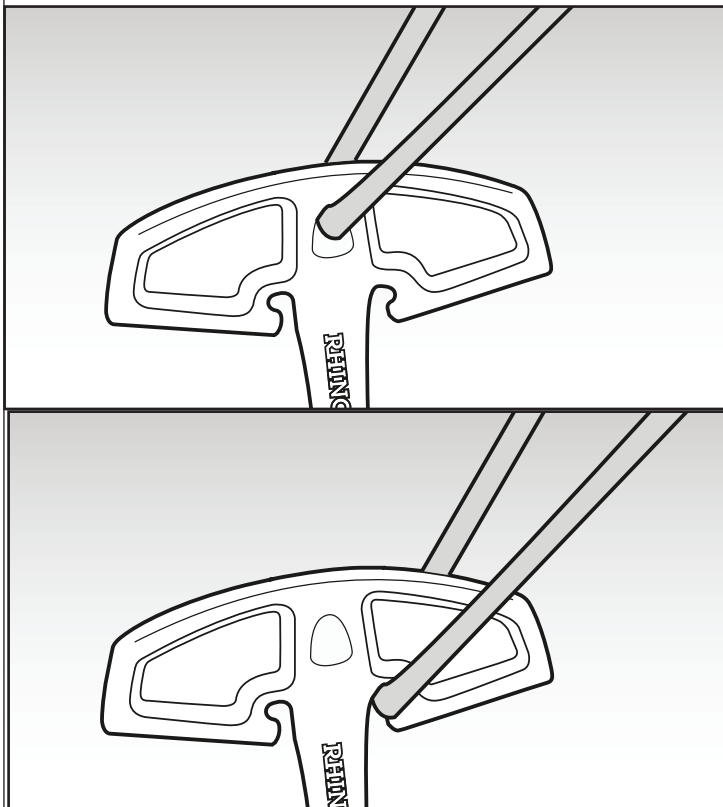
How far you can insert the Sand Screw will depend on how densely packed and how moist the sand or earth is.

Sometimes trying an adjacent location can be easier where the sand or ground yields more easily.

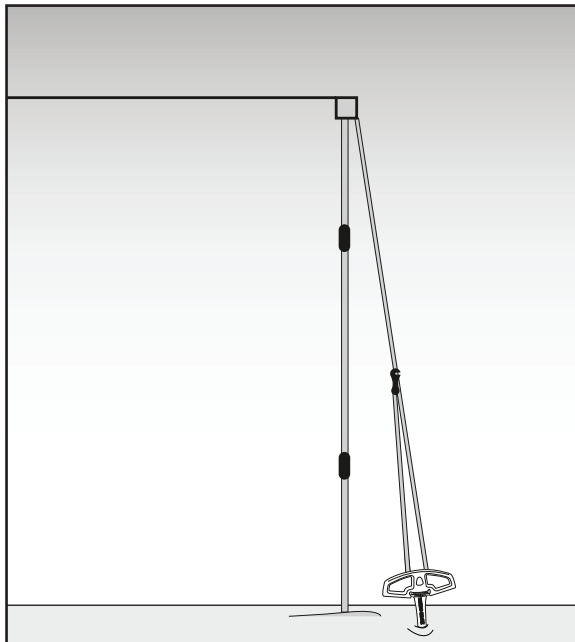


6 Attaching ropes and ties to the Sand Screw

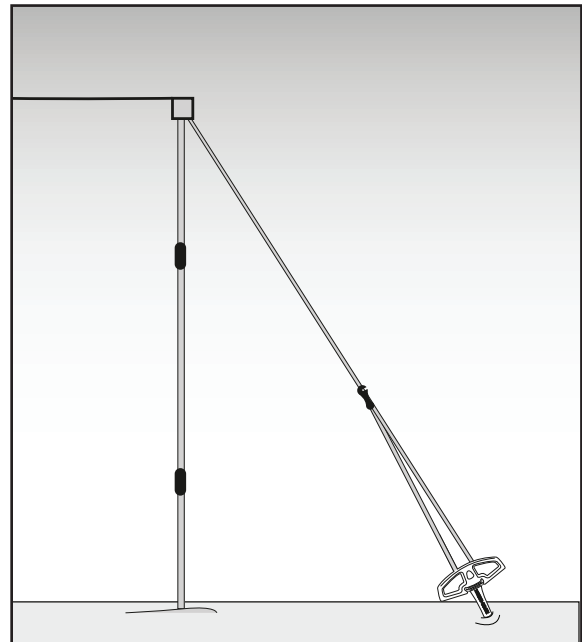
The Sand Screw has been designed to secure ropes as illustrated.



7 Awning setup



Awnings can have the screw positioned at the base of the leg to minimise trip hazards with extending guy ropes



We recommend setting the angle of the Sand Screw to be in line with the attaching rope.

8 Removing the Sand Screw

To quickly and easily remove the Sand Screw, turn the handle in an anticlockwise direction until it becomes loose enough to lift out. The Sand Screw has been manufactured from a very tough and durable engineering plastic. For longest working life we recommend you store them away in their original box or somewhere heavy objects cannot bend or deform them.

