

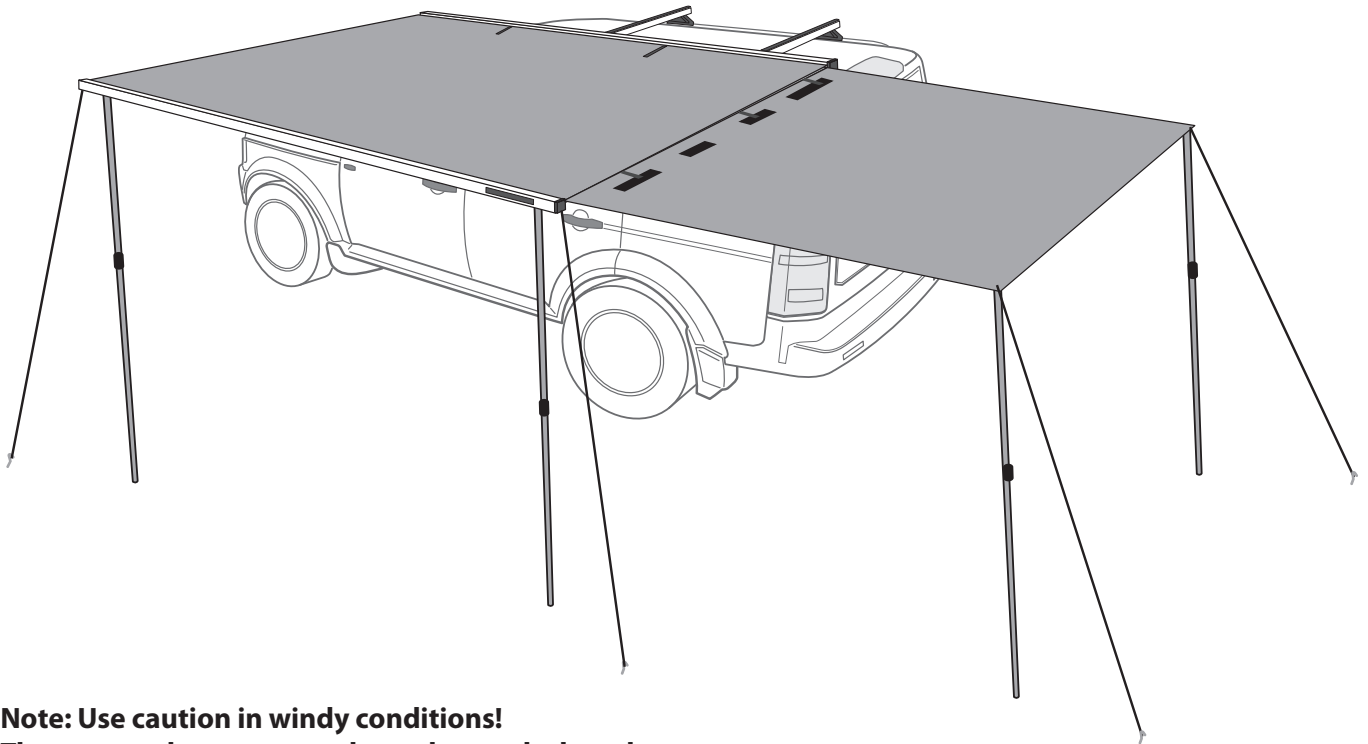


RHINO-RACK

Rhino-Rack SUNSEEKER II Awning Side Wall Extension (32112)

Important: Please read these instructions carefully prior to installation. Please refer to your fitting instruction to ensure that the roof racks are installed in the correct locations. Check the contents of kit before commencing fitment and report any discrepancies. Place these instructions in the vehicle's glove box after installation is complete.

Layout



Note: Use caution in windy conditions!
The pegs and ropes must always be used when the SUNSEEKER II awning and the Side Wall extension are open.

Important Information

Recommendations

It is essential that all bolt connections be checked after driving a short distance when you first install your Rhino SUNSEEKER II Awning. Bolt connections should be checked again at regular intervals (probably once a week is enough, depending on road conditions, usage, loads and distances travelled). You should also check the roof bars and Side Wall extension each time they are refitted.

Use only non-stretch fastening ropes or straps.

Please remove SUNSEEKER II Awning, Side Wall Extension and crossbars when putting vehicle through an automatic car wash.

Load Ratings

With the addition of the SUNSEEKER II Awning, the load capacity of your crossbars will have to be adjusted accordingly. The SUNSEEKER II Awning and 2 crossbars weigh approximately 15kg.

Note for Dealers and Fitters

It is your responsibility to ensure this fitting instruction is given to the end user or client



Rhino-Rack SUNSEEKER II Awning Side Wall Extension (32112)

Parts List

Item	Component Name	Qty
1	SUNSEEKER II Side Wall Extension	1
2	Metal Peg	3
3	Guy Rope	2
4	Poles	2
5	Fitting Instruction	1

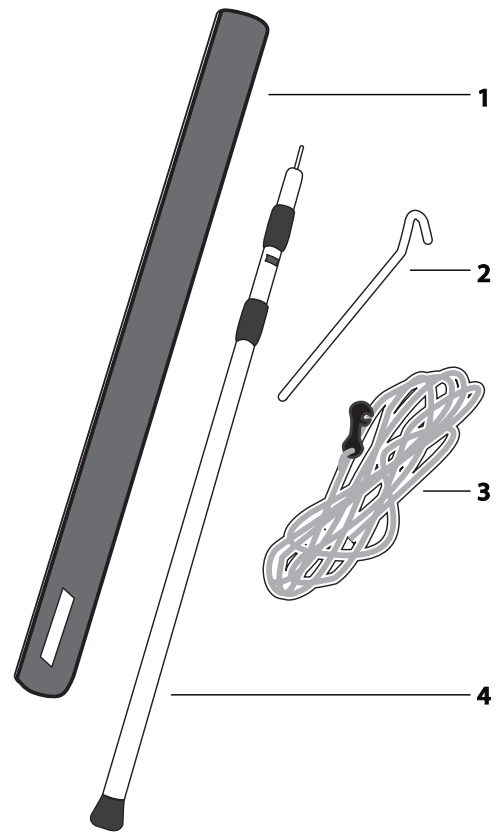
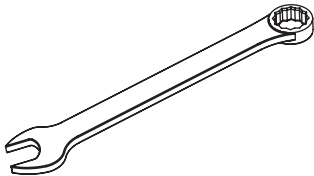
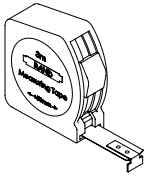
NOTE: AWNING SIDE WALL EXTENSION FITS BOTH SUNSEEKER II 2.5m AND 2.0m AWNINGS

Care Instruction:

Wash and clean vehicle roof racks prior to fitment

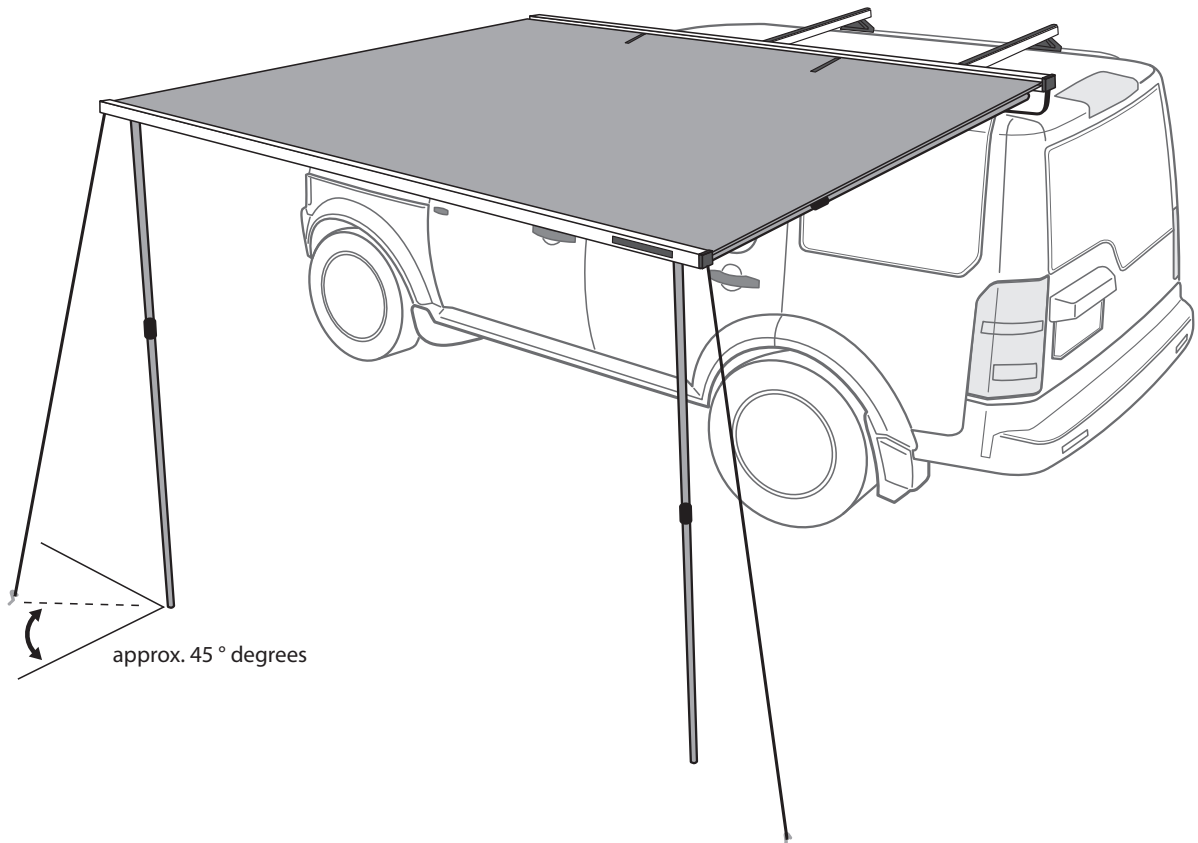
Tools Required:

Tape measure, Spanner, Knife



Fitting Instructions

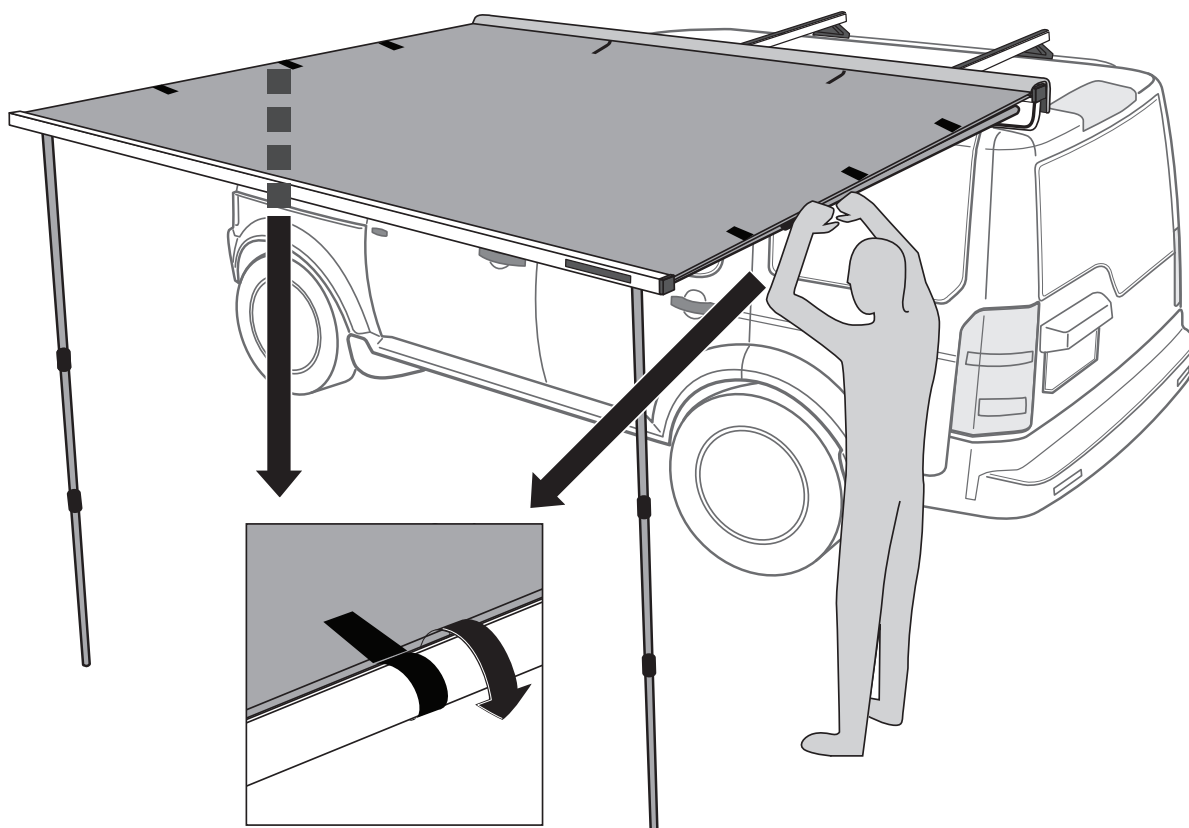
- 1 Make sure the Sunseeker II Awning is pegged down before attaching the Side Wall Extension.



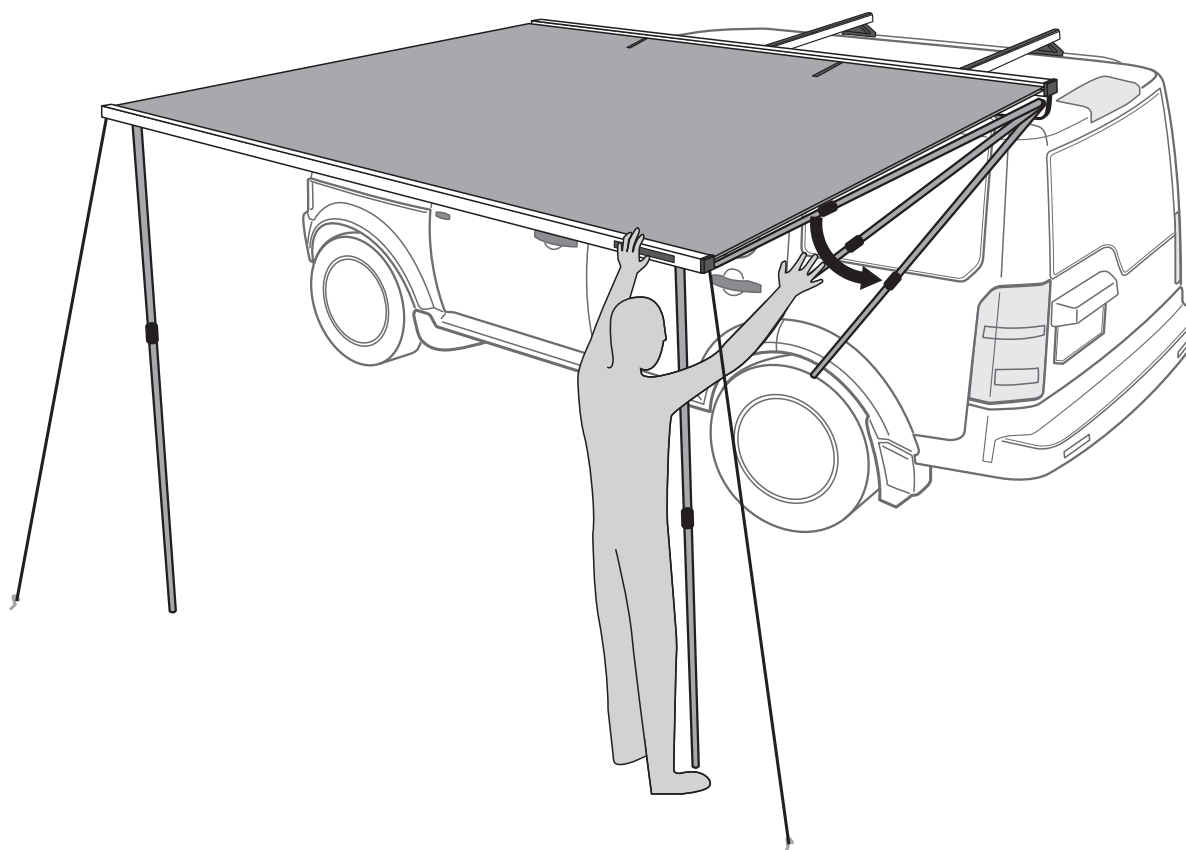


Rhino-Rack SUNSEEKER II Awning Side Wall Extension (32112)

- 2** Undo the hook and loop fastener straps as shown.



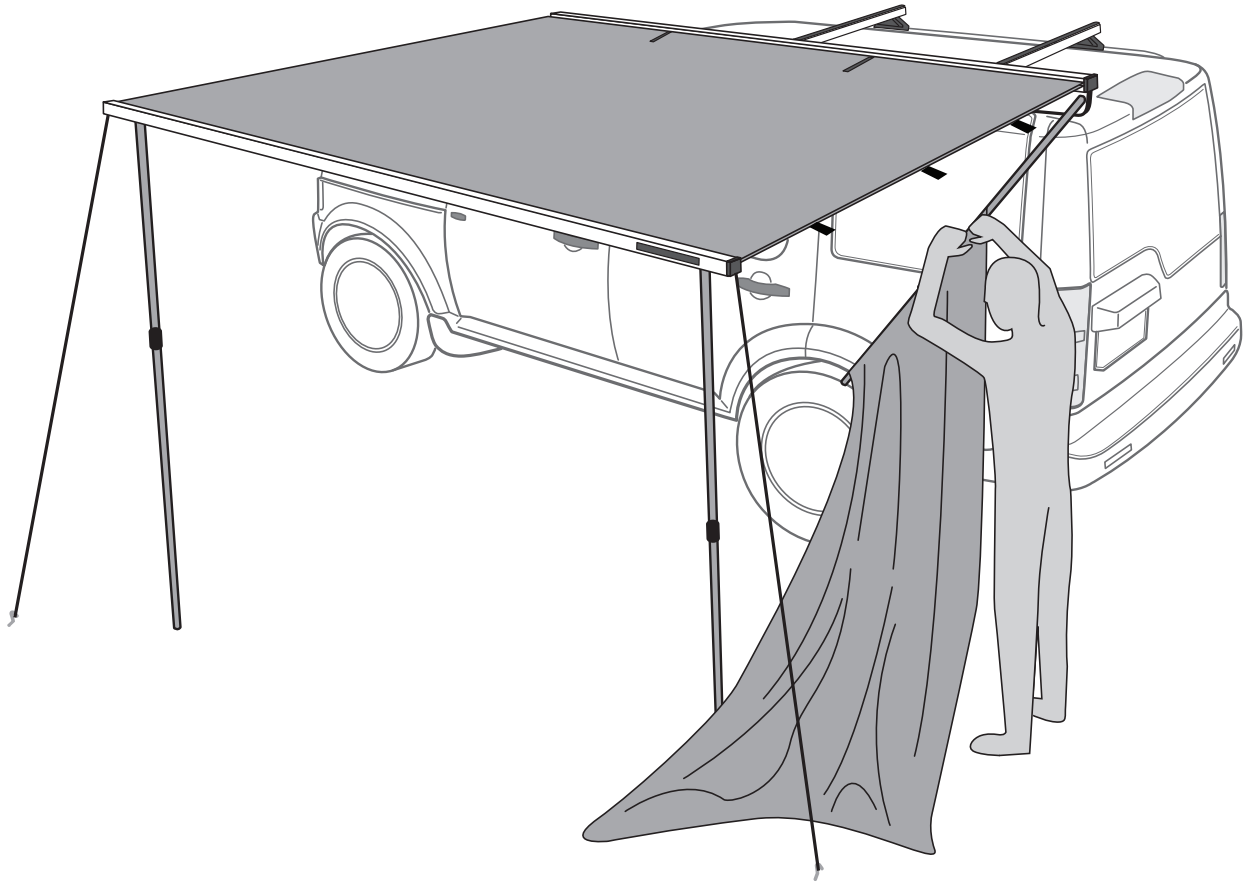
- 3** Position the poles outwards slightly as shown.



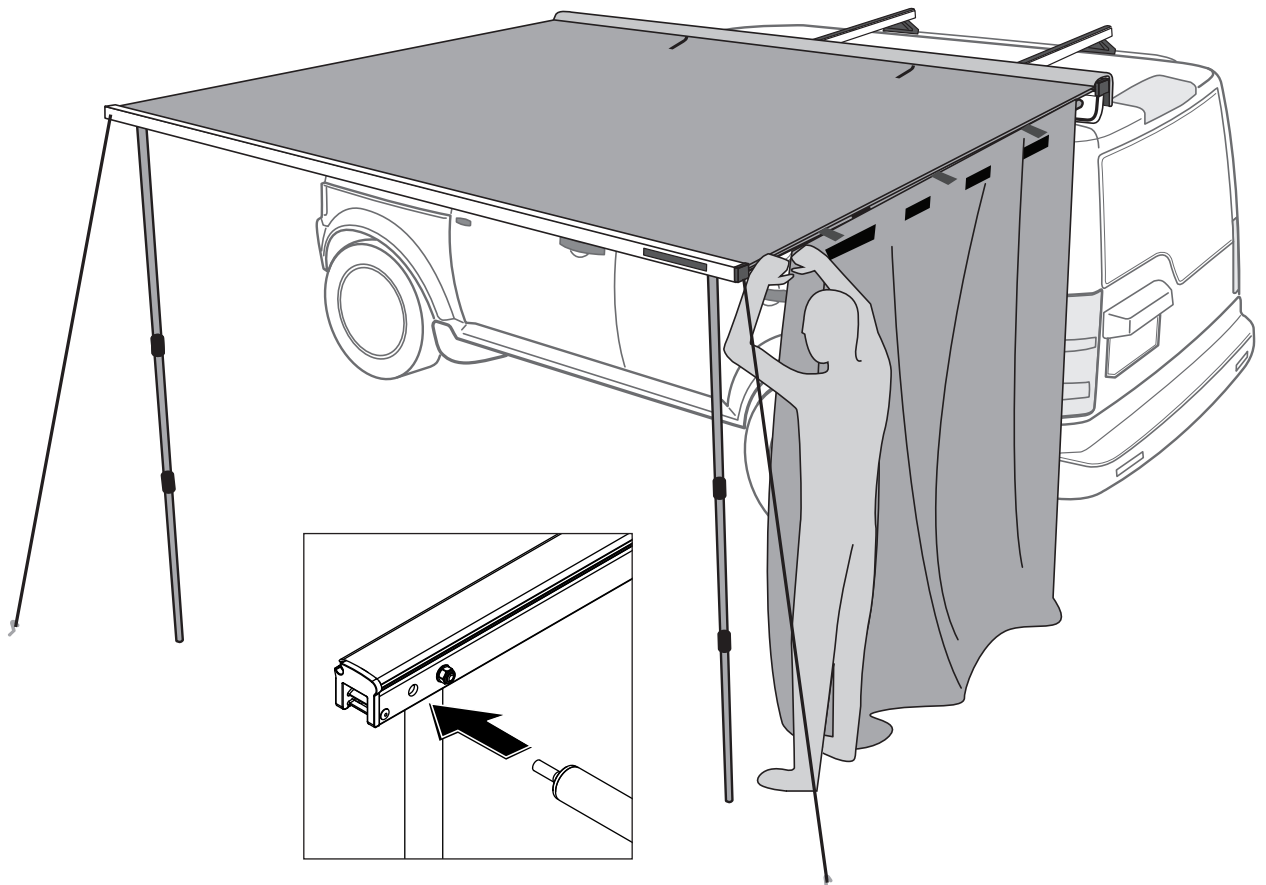


Rhino-Rack SUNSEEKER II Awning Side Wall Extension (32112)

- 4** Slide the awning into the pole as shown. Make sure the part with the hook and loop fastener strips are facing out.



5





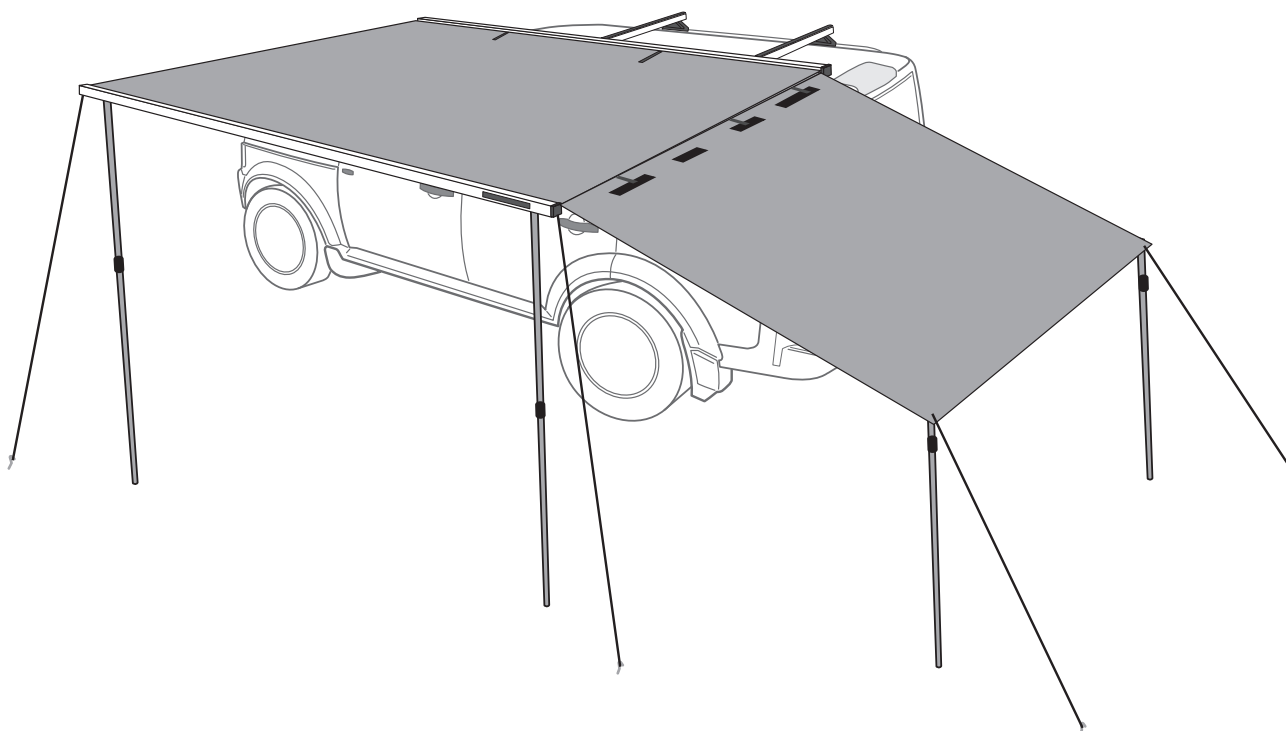
Rhino-Rack SUNSEEKER II Awning Side Wall Extension (32112)

6 Attach hook and loop fastener tabs from awning to side wall extension as shown.



Side Wall Extension setup options

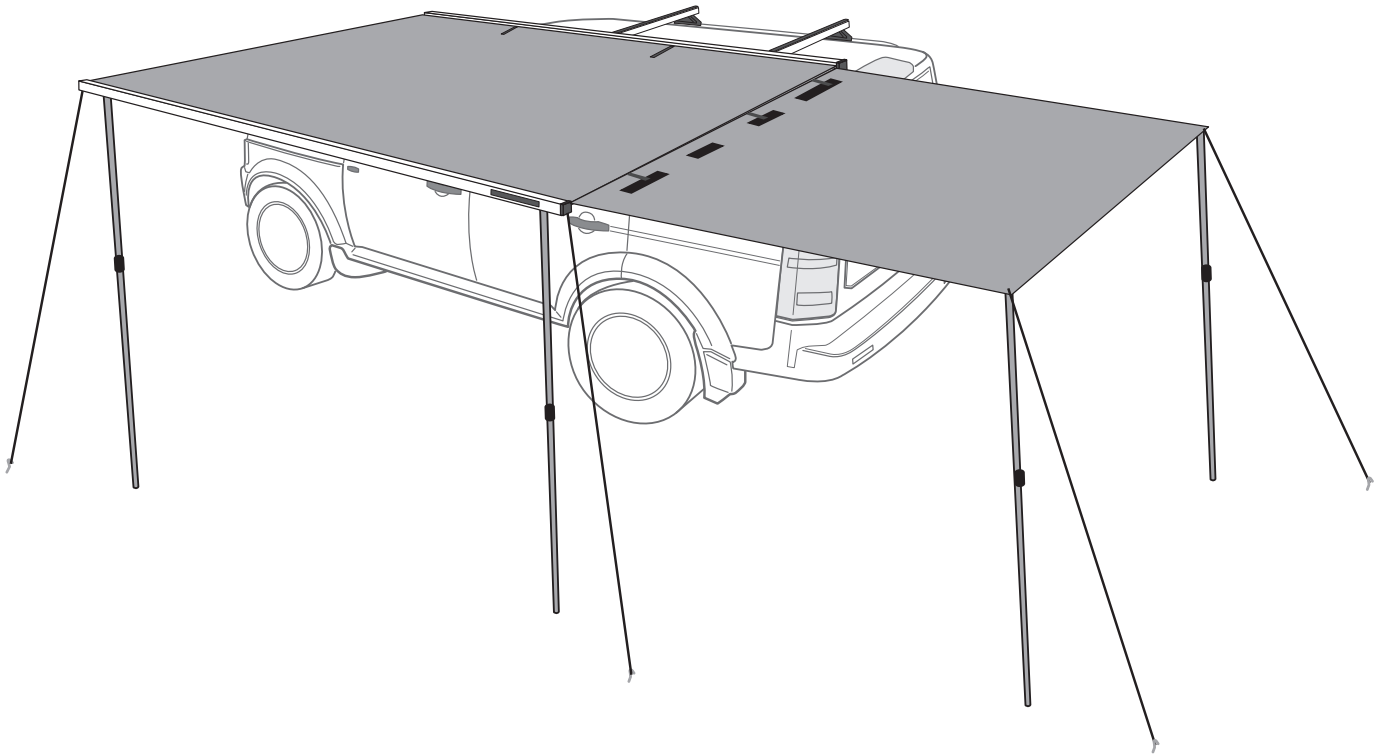
A





Rhino-Rack SUNSEEKER II Awning Side Wall Extension (32112)

B



C



Rhino-Rack provides the best in roof racks and cargo carriers equipment.