

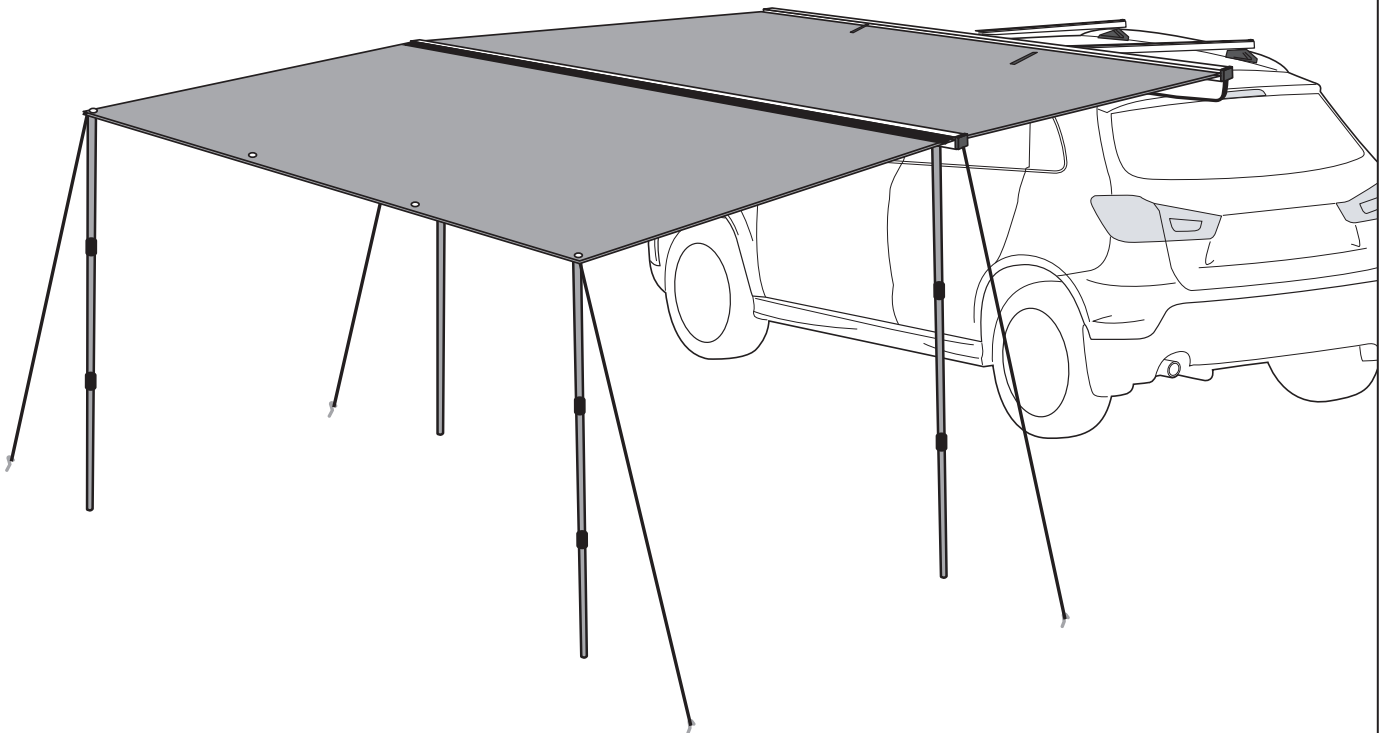


RHINO-RACK

Rhino-Rack SUNSEEKER II Awning Extension 2.0m (32111)

Important: Please read these instructions carefully prior to installation.
Please refer to your fitting instruction to ensure that the roof racks are installed in the correct locations.
Check the contents of kit before commencing fitment and report any discrepancies.
Place these instructions in the vehicle's glove box after installation is complete.

Layout



Note: The pegs and ropes must always be used when the SUNSEEKER awning and extension are open

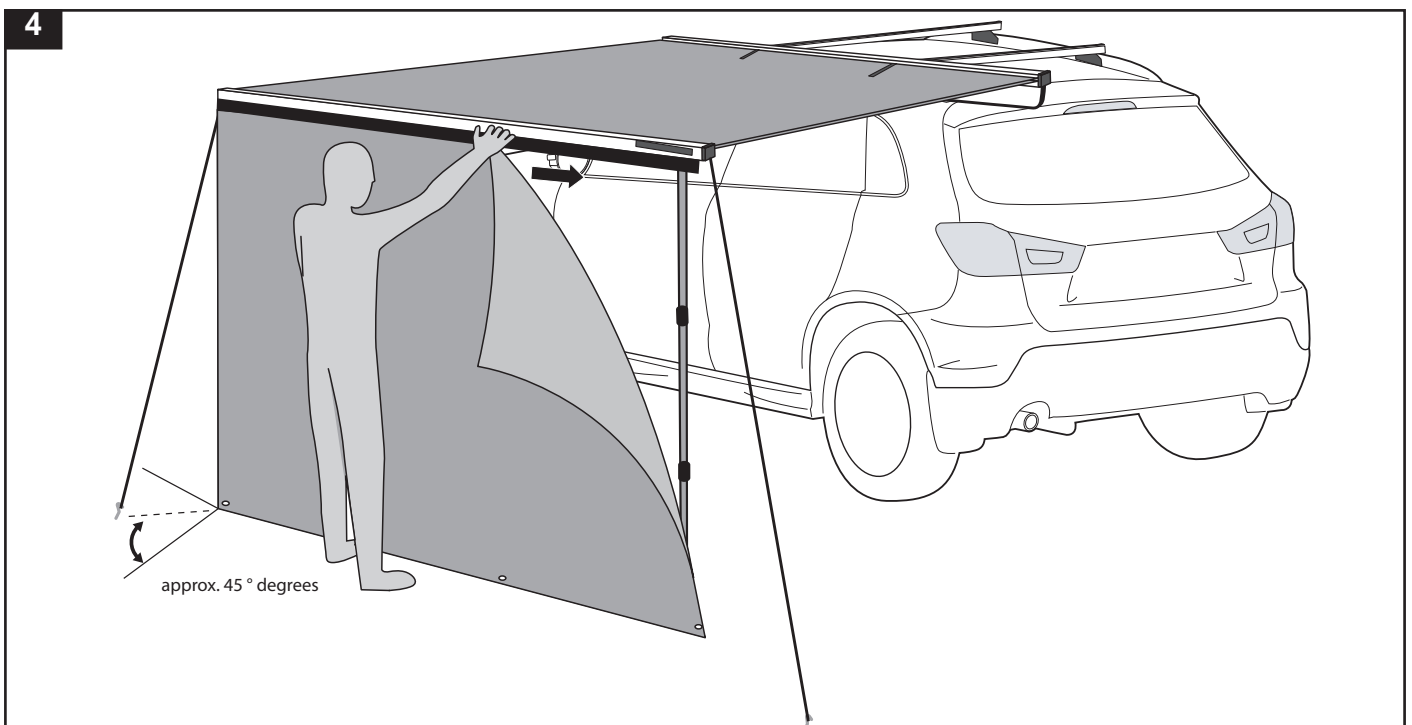
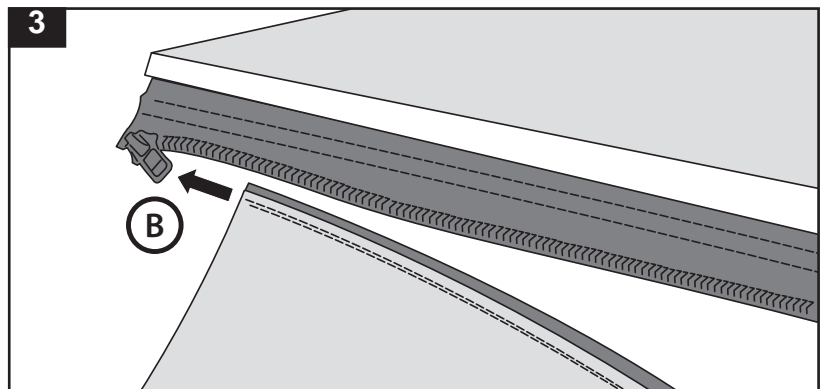
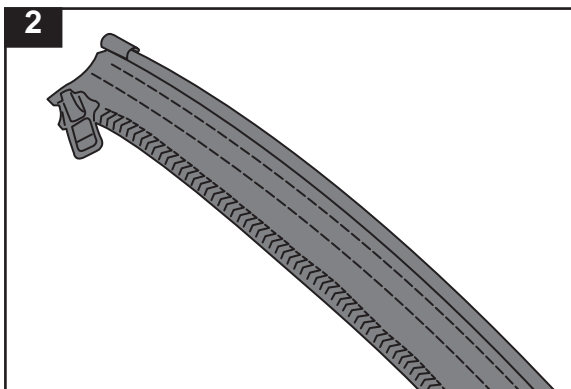
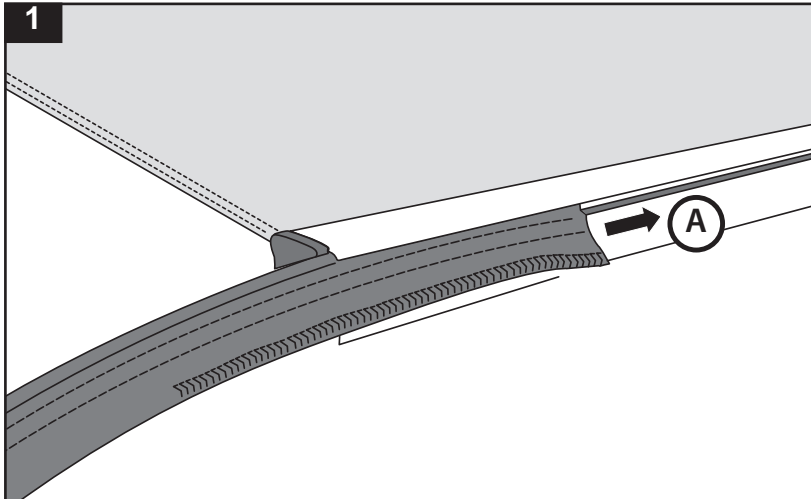
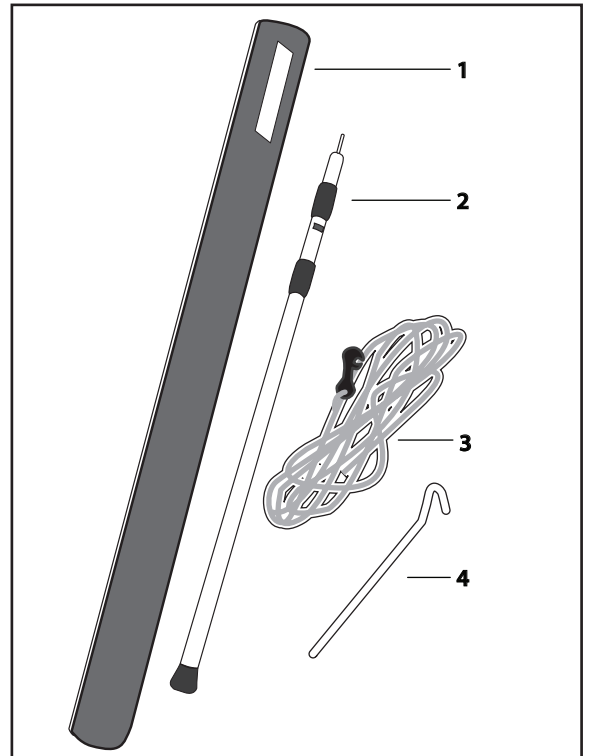
This kit is to be used in conjunction with the Rhino-Rack SUNSEEKER II Awning 2.0 metres (32109)



Rhino-Rack SUNSEEKER II Awning Extension 2.0m (32111)

Parts List

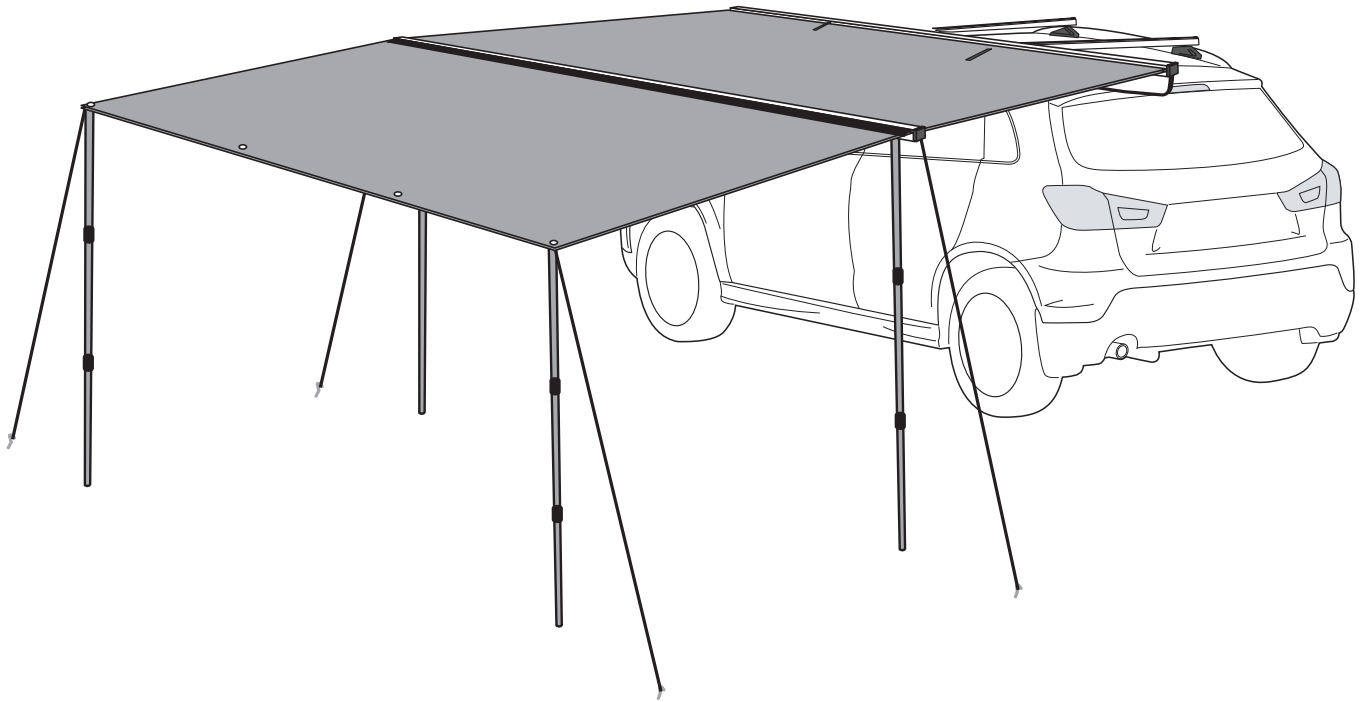
Item	Component Name	Qty
1	Rhino SUNSEEKER Awning Extension	1
2	Upright Poles	2
3	Guy Ropes	2
4	Metal Pegs	2
5	Fitting Instruction	1





5

Option A



6

Option B

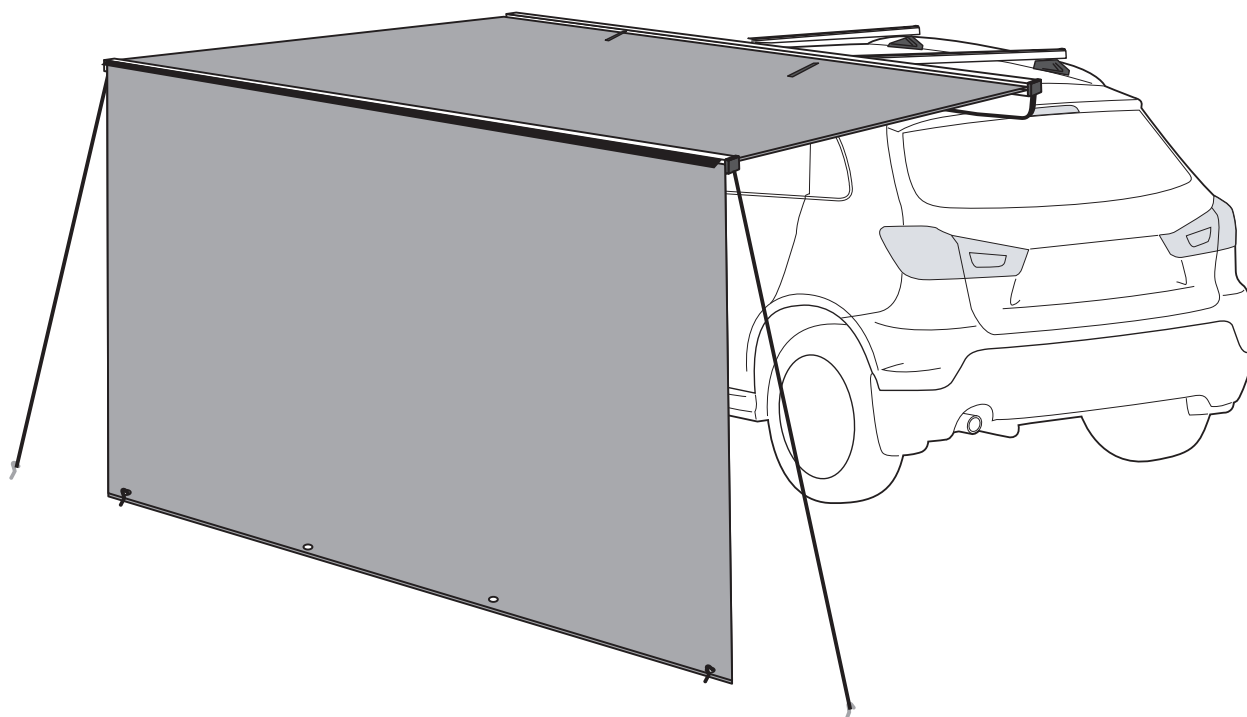




Rhino-Rack SUNSEEKER II Awning Extension 2.0m (32111)

7

Option C



8

Place the Sunseeker Awning Extension in the supplied bag when not in use. Store inside your vehicle when traveling.

