



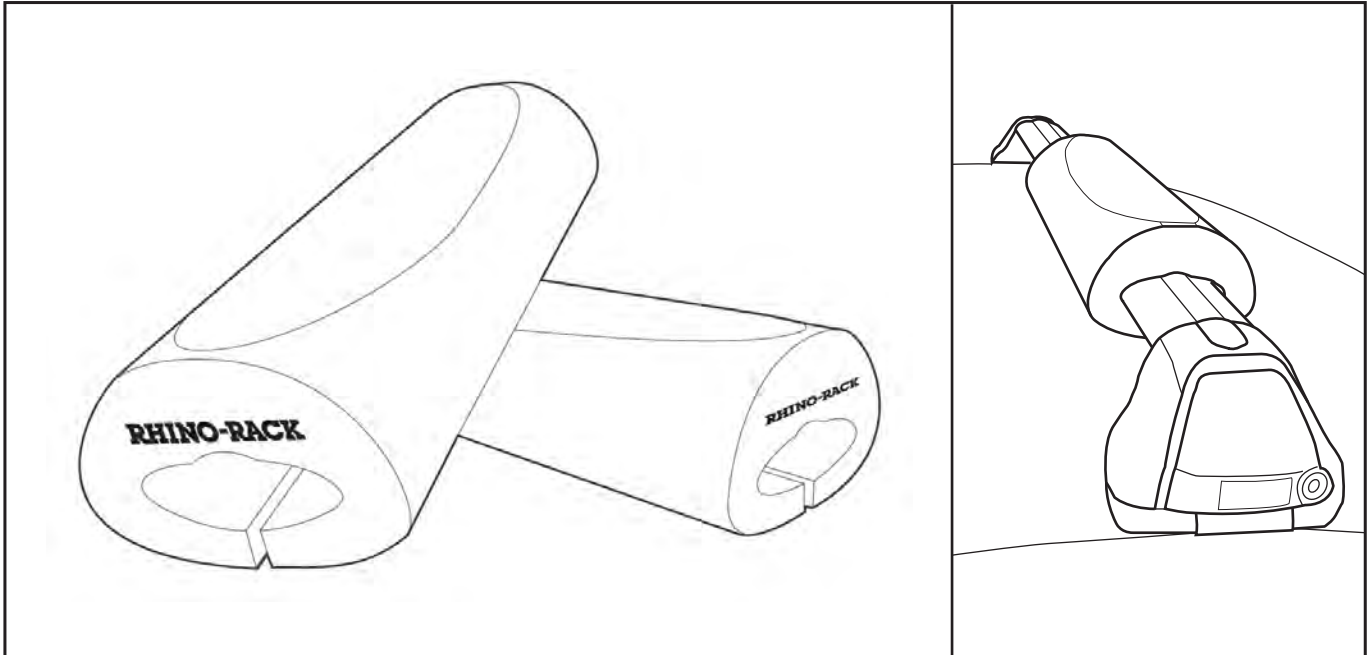
RHINO-RACK

Product Rhino-Rack Wrap Pads (RWP01)

Parts List

Item	Component Name	Part No.	Qty
1	Foam Pads	CA1129	2
2	Fitting Instructions	-	1

Width: 381mm (15")



IMPORTANT INFORMATION

Maximum carrying capacity:

Please refer to your vehicle manufacturers handbook for the maximum carrying capacity specific to your vehicle. Load must be evenly distributed over the crossbars. **Use only non-stretch fastening ropes or straps to attach loads.**

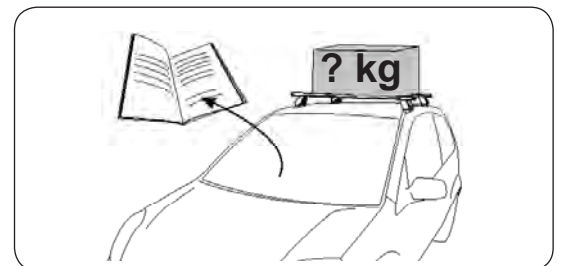
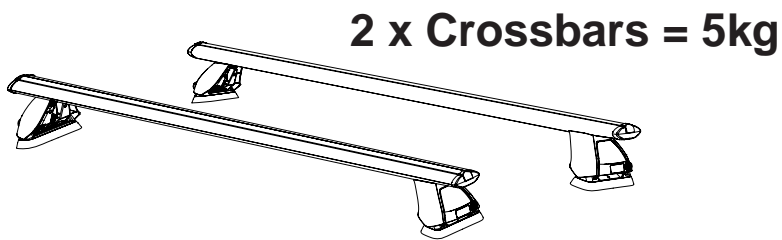
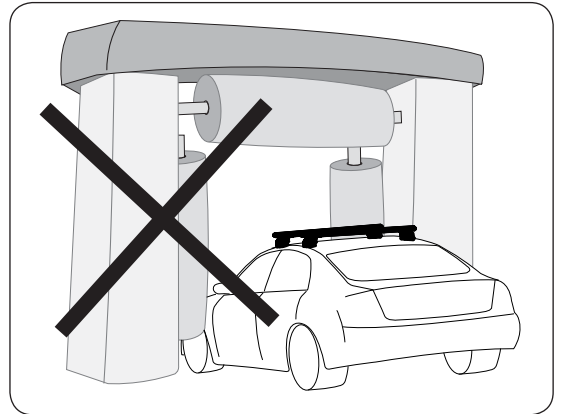
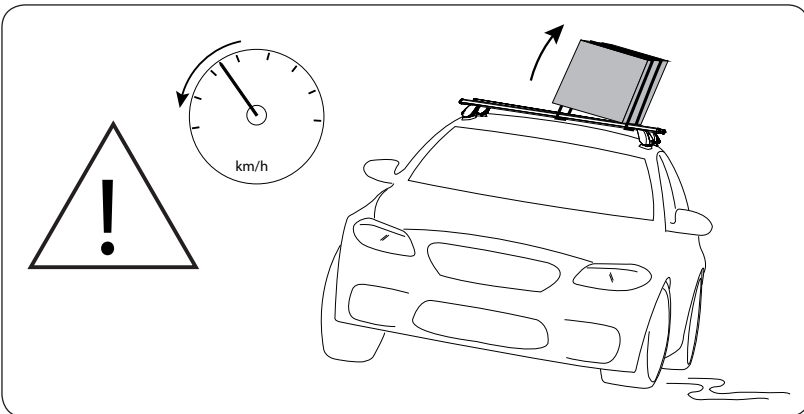
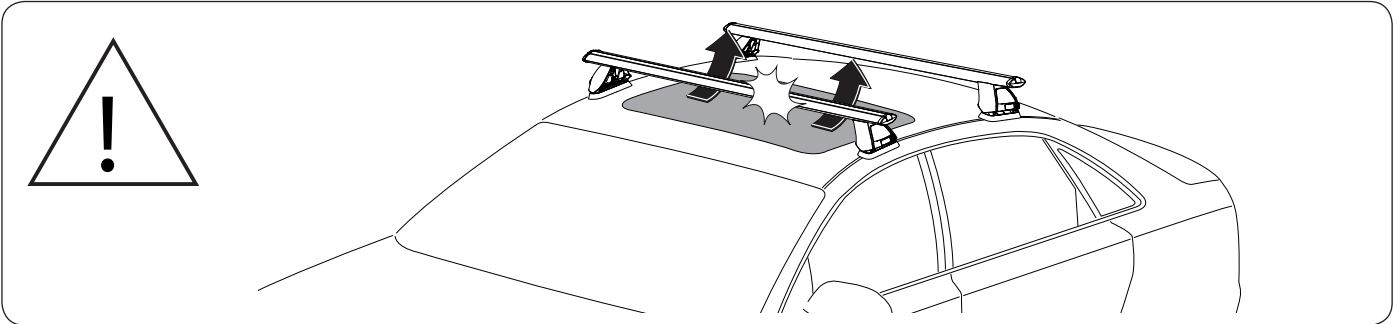
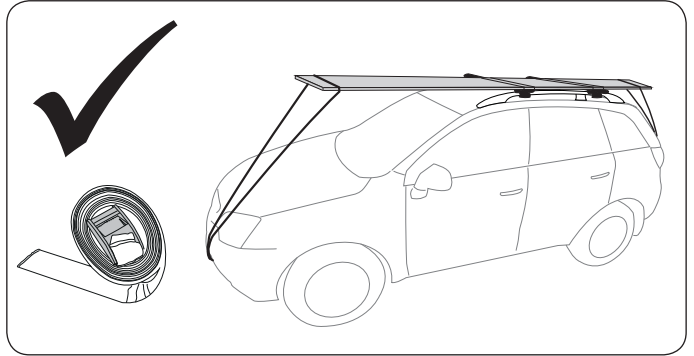
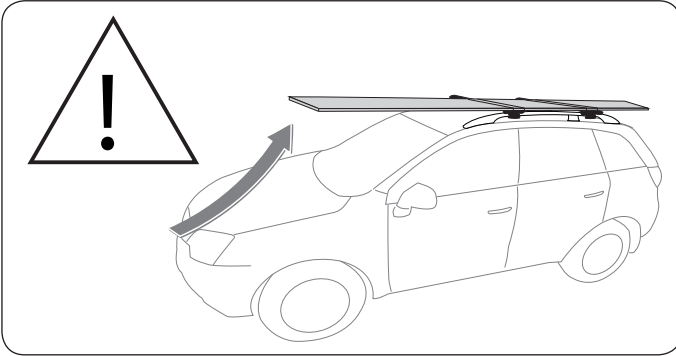
Recommendations:

All bolt connections must be checked after driving a short distance when you first install your roof racks. Bolt connections should be checked again at regular intervals (once a week is enough, depending on road conditions, usage, loads and distances travelled). You should also check the condition of your roof racks each time they are re-fitted. Always make sure to fasten your load securely. Please also ensure that all loads are evenly distributed and that the centre of gravity is kept as low as possible. Long loads (e.g. canoes and kayaks) must be secured front and rear with non-stretch fastening ropes or straps.

Roof racks must be removed when putting vehicle through an automatic car wash.

Caution: The handling characteristics of the vehicle changes when you transport a load on the roof. For safety reasons we recommend you exercise extreme care when transporting wind-resistant loads. Special consideration must be taken into account when cornering and braking.

WARNING!



Important: Please read these instructions carefully prior to installation. Please refer to your fitting instruction to ensure that the roof racks are installed in the correct locations. Check the contents of kit before commencing fitment and report any discrepancies. Keep these instructions in a safe place should you need to refer to them.

Fitting Guide

- Ensure you have the correct pad that suits your roofbar (Rhino-Rack Aero bar pictured)
- We recommend you clean your roof racks prior to fitting the foam pads.
- Follow images to guide you in fitting the Wrap Pads.
- To remove pads from vehicle, follow the steps in reverse.
- Rhino-Rack Wrap Pad will remain attached to the vehicle until such time that you wish to remove them.
- The process of fitting the pads to the roofbar will stretch the pad slightly. It will return to its original shape and provide best fit in about 15 minutes.

